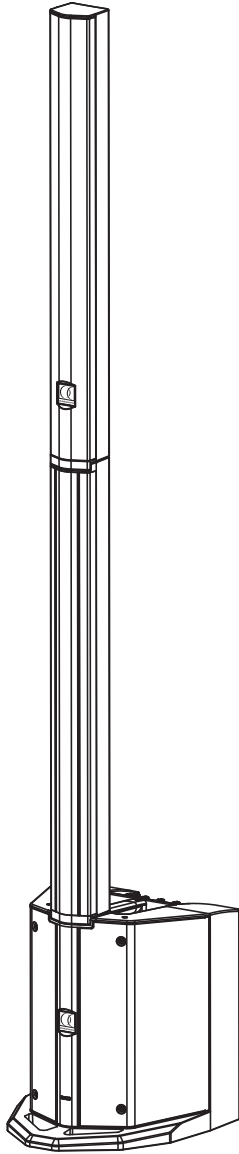


GOA
GEARS OF ART



MOJO₅₀₀Liberty

USER GUIDE

H10899 - Version 1 / 10-2018

1 - Safety information

Important safety information



This unit is intended for indoor use only. Do not use it in a wet, or extremely cold/hot locations. Failure to follow these safety instructions could result in fire, electric shock, injury, or damage to this product or other property.



Any maintenance procedure must be performed by a CONTEST authorised technical service. Basic cleaning operations must thoroughly follow our safety instructions.



This product contains non-isolated electrical components. Do not undertake any maintenance operation when it is switched on as it may result in electric shock.

Symbols used



This symbol signals an important safety precaution.



The WARNING symbol signals a risk to the user's physical integrity. The product may also be damaged.



The CAUTION symbol signals a risk of product deterioration.

Instructions and recommendations

1 - Please read carefully :

We strongly recommend to read carefully and understand the safety instructions before attempting to operate this unit.

2 - Please keep this manual :

We strongly recommend to keep this manual with the unit for future reference.

3 - Operate carefully this product :

We strongly recommend to take into consideration every safety instruction.

4 - Follow the instructions:

Please carefully follow each safety instruction to avoid any physical harm or property damage.

5 - Avoid water and wet locations :

Do not use this product in rain, or near washbasins or other wet locations.

6 - Installation :

We strongly encourage you to only use a fixation system or support recommended by the manufacturer or supplied with this product. Carefully follow the installation instructions and use the adequate tools.

Always ensure this unit is firmly fixed to avoid vibration and slipping while operating as it may result in physical injury.

7 - Ceiling or wall installation :

Please contact your local dealer before attempting any ceiling or wall installation.

8 - Ventilation :

The cooling vents ensure a safe use of this product, and avoid any overheating risk. Do not obstruct or cover these vents as it may result in overheating and potential physical injury or product damage. This product should never be operated in a closed non-ventilated area such as a flight case or a rack, unless cooling vents are provided for the purpose.

9 - Heat exposure :

Sustained contact or proximity with warm surfaces may cause overheating and product damages. Please keep this product away from any heat source such as a heaters, amplifiers, hot plates, etc...

CAUTION

RISK OF ELECTRIC SHOCK

DO NOT OPEN

WARNING : This unit contains no user-serviceable parts. Do not open the housing or attempt any maintenance by yourself. In the unlikely even your unit may require service, please contact your nearest dealer.

In order to avoid any electrical malfunction, please do not use any multi-socket, power cord extension or connecting system without making sure they are perfectly isolated and present no defect.

Sound levels

Our audio solutions deliver important sound pressure levels (SPL) that can be harmful to human health when exposed during long periods. Please do not stay in close proximity of operating speakers.

Recycling your device

- As HITMUSIC is really involved in the environmental cause, we only commercialise clean, ROHS compliant products.
- When this product reaches its end of life, take it to a collection point designated by local authorities. The separate collection and recycling of your product at the time of disposal will help conserve natural resources and ensure that it is recycled in a manner that protects human health and the environment.

10 - Electric power supply :

This product can only be operated according to a very specific voltage. These information are specified on the label located at the rear of the product.

11 - Power cords protection:

Power-supply cords should be routed so that they are not likely to be walked on or pinched by items placed upon or against them, paying particular attention to cords at lugs, convenience receptacles and the point where they exit from the fixture.

12 - Cleaning precautions :

Unplug the product before attempting any cleaning operation. This product should be cleaned only with accessories recommended by the manufacturer. Use a damp cloth to clean the surface. Do not wash this product.

13 - Long periods of non use :

Disconnect the unit's main power during long periods of non use.

14 - Liquids or objects penetration :

Do not let any object penetrate this product as it may result in electric shock or fire. Never spill any liquid on this product as it may infiltrate the electronic components and result in electric shock or fire.

15 - This product should be serviced when :

Please contact the qualified service personnel if :

- The power cord or the plug has been damaged.
- Objects have fallen or liquid has been spilled into the appliance.
- The appliance has been exposed to rain or water.
- The product does not appear to operate normally.
- The product has been damaged.

16 - Inspection/maintenance :

Please do not attempt any inspection or maintenance by yourself. Refer all servicing to qualified personnel.

17 - Operating environment :

Ambient temperature and humidity: +5 - +35°C, relative humidity must be less than 85% (when cooling vents are not obstructed). Do not operate this product in a non-ventilated, very humid or warm place.

2 - Technical specifications

COLOMNN

Power	100W RMS - 200W max
Frequency response	180Hz -20KHz
Sensitivity(1W@1m)	92 dB
Max. SPL (@1m)	116 dB
Nominal impedance	4 Ohms
Boomer	6 X 2.75"
Dispersion	120° x 20° (HxV)
Connector	Slot-in integrated into the base
Dimensions	80 x 80 x 830 mm x2
Net weight	2,45 kg + 1,20 kg = 3,65 kg

SUBWOOFER

Power	150W RMS - 300W max
Frequency response	50 - 200Hz
Sensitivity(1W@1m)	92 dB
Max. SPL (@1m)	116 dB
Boomer	8"
Dimensions	340 x 430 x 400 mm
Net weight	10.8 kg

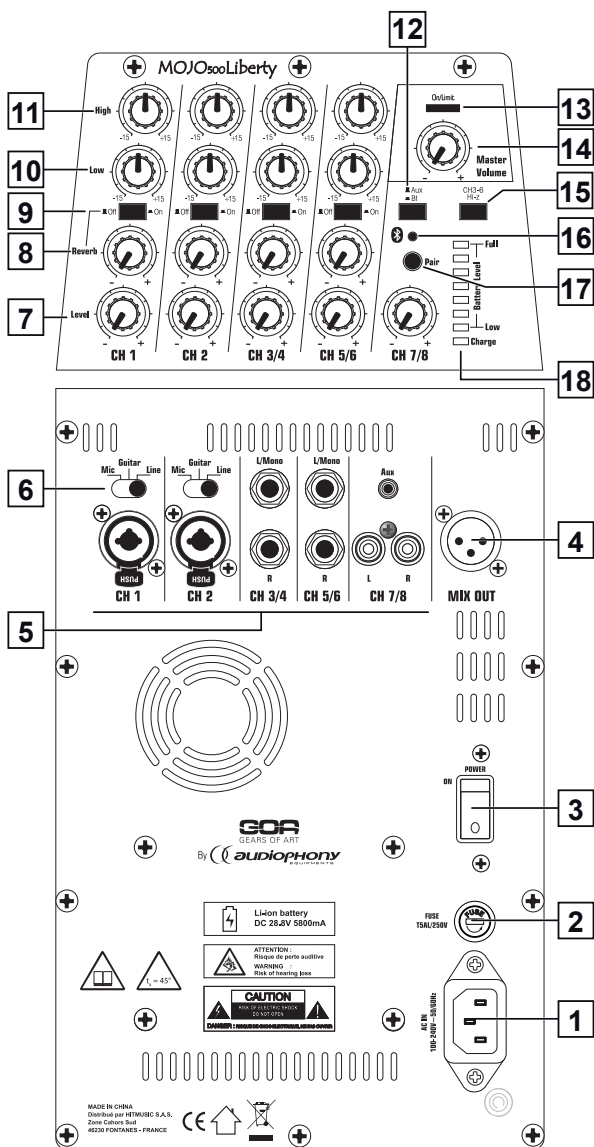
AMPLIFICATION

Low frequencies	1 x 150W RMS / Classe D - 8 Ohms
Mid/High frequencies	1 x 100W RMS / classe D - 4 Ohms
Inputs	- CH1/CH2 : 1 x Combo XLR/Jack Ligne/Micro/Guitar - CH3/4/5/6 : 1 x Jack Guitare/Line - CH7/8 : 1 x RCA L/R ligne + 1 x Jack 3,5 stereo Aux + Bluetooth®
Outputs	- 1 Slot-in on the top of the subwoofer - 1x XLR balanced for the link with another system
High	Mid and High frequencies equalizer for 1 to 6 channels
Low	Low frequencies equalizer for 1 to 6 channels
Level	Volume settings for each channel
Reverb	Activating and adjusting the reverb on channels 1 to 6
Master Volume	Setting the general level
Pair	Enabling Bluetooth pairing
Battery Level	Battery level indication
Battery life	Charging time : 4 hours
	Discharge time (limiter): 5 hours
	Discharge time at 80% of power: 8 hours
	Discharge time in background music: 15 hours

* Information may vary depending on the type of signal and inputs used.
Data measured on new battery.

3 - Presentation

3- 1- Rear view



1- Power input socket

Allows you to connect the speaker to an electrical outlet. Use the supplied IEC cord, and make sure the voltage delivered by the outlet is in adequation with the value indicated by the voltage selector before turning on the built-in amplifier.

2 - Fuse

Protects the power supply module and the built-in amplifier.

If need to replace the fuse, please make sure the new fuse has exactly the same characteristics.

3 - Power switch

4 - Balanced line output

Output for link another system. The level is line and signal is master mixed.

5 - Input connectors

CH1 and CH2 input via balanced COMBO

Connect here an XLR or JACK plug from a line level music instrument, a microphone or a guitar. The signal of this mono input is spread across the right and left output of the system.

CH3/4 and CH5/6 inputs on 6.35 mono jack

On these entries you can either:

- Connecting line level devices
- Connect guitars if the CH3-6 Hz button (15) is pressed.

CH7/8 inputs via RCA, stereo 3,5 Jack and Bluetooth®

Connect a line level instrument via the RCA. The AUX input allows you to connect via stereo Jack 3.5 any extra line level source as external player. The Bluetooth® receiver is also on this channel.

6 - Channels 1 and 2 input selector

Allows you to choose the type of source connected to each channel.

7 - Channels sound level

Allows you to adjust the sound level of each channel.

This setting also affects the main volume level of the amplification system.

(PLEASE MAKE SURE TO CONFIGURE IT IN ORDER TO PREVENT THE LIMIT FROM BEING LIT).

8 - Reverb level adjustment for channels 1 to 6

9 - Assignment of the reverb to channels 1 to 6

10 - Low equalizer

Allows you to equalize (+/- 15dB) the channels 1 to 6 Low signal.

11 - High equalizer

Allows you to equalize (+/- 15dB) the channels 1 to 6 Low signal.

12 - Aux/Bt selector

This switch allows you to select either Bluetooth or Aux and RCA inputs to assign to channels 7 and 8.

13 - ON/LIMIT signal indicator

Allows you to check on the volumes

(PLEASE MAKE SURE EACH CHANNEL IS CONFIGURED IN ORDER TO PREVENT THIS INDICATOR FROM BEING LIT).



Please make sure to properly configure the sound levels of your system. In addition to being unpleasant for the audience, improper settings can damage your whole sound system.

The "LIMIT" indicators will light on when the maximum level is reached and must never be permanently lit.

Beyond this maximal level, the volume will not increase but will be distorted.

Moreover, your system can be destroyed by an excessive sound level despite of the internal electronic protections.

First, in order to prevent that, adjust the sound level via the Level of each channel.

Then, use the High/Low equalizer to adjust the acoustic as you wish.

If the sound output does not seem powerful enough, we strongly recommend to multiply the number of systems in order to spread the sound output evenly.

14 - Master Level

This potentiometer is used to adjust the general level of the MOJO500Liberty.

15 - CH3-6 Hz button

When pressed, this button makes channels 3 to 6 compatible with the level of a guitar.

16/17 - Bluetooth® pairing

The "Pair" LED is blinking quickly in green to indicate that its searching a Bluetooth® connexion.

On your smartphone or computer select the "MOJO500Liberty" in the list of the Bluetooth® devices to connect it.

The "Pair" LED must remain ON in green and a sound signal indicate that your device is connected.

The "Pair" knob can be use now to Play/pause your mp3 files.

Important : You can only connect one Bluetooth® device on the MOJO500Liberty in the same time. You must disconnect the devices that you don't want to use. The last device get priority connexion.

18 - Battery charge and level indicator

As soon as the MOJO500Liberty is connected to the mains the battery is charged.

Connect the MOJO500Liberty to the mains when the battery level reaches the orange LED.

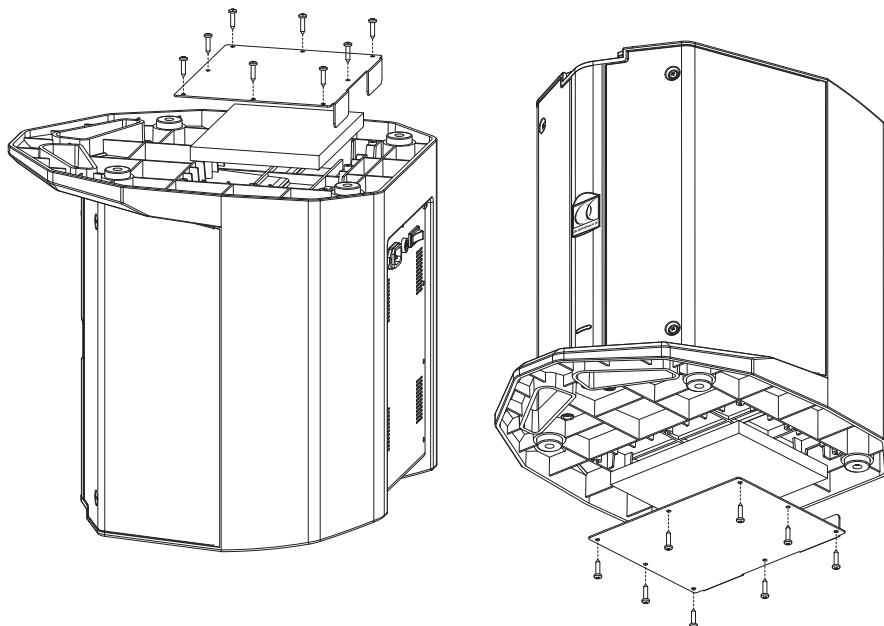
Charging can be done during use.

In the POWER OFF position, the charge is complete when the orange LED goes out.

3-2 - Access to the battery

Access to the battery is via the underside of the housing.

To open the compartment, remove the eight screws that hold the door.



Note about battery :

Please only use 28.8 5800mA Li-ion battery

Use a product with the same characteristics if you have to change the battery.

New battery should be charged before being used. The MOJO500Liberty is designed to recharge its battery only.

Please turn off the unit during periods of non-use in order to preserve the battery.

The battery can be severely damaged if it is fully discharged because the unit remained turned ON.

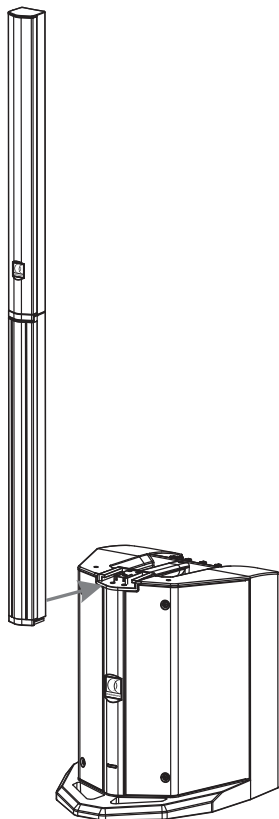


Moreover, the battery must be charged regularly to prevent it from drying.

We strongly advise you to charge the battery at least once every three months.

This batteries is wearing parts and thus cannot be covered by the guarantee.

4 - Setting up the column on the subwoofer



The MOJO500Liberty column is directly mounted above the subwoofer thanks to its contact slot.

This slot guarantees the transmission of the audio signal between the column and the subwoofer. Cables are not required in this case.

The drawing opposite describes column speaker mounted above the subwoofer.



The column were designed to be operated with this subwoofer.

Please do not use any other type of satellites as it may damage the whole sound system.

Because AUDIOPHONY® takes the utmost care in its products to make sure you only get the best possible quality, our products are subjects to modifications without prior notice. That is why technical specifications and the products physical configuration might differ from the illustrations.

Make sure you get the latest news and updates about the AUDIOPHONY® products on www.audiophony.com
AUDIOPHONY® is a trademark of HITMUSIC S.A.S - Parc d'Activités Cahors Sud – En Teste - 46230 FONTANES - FRANCE