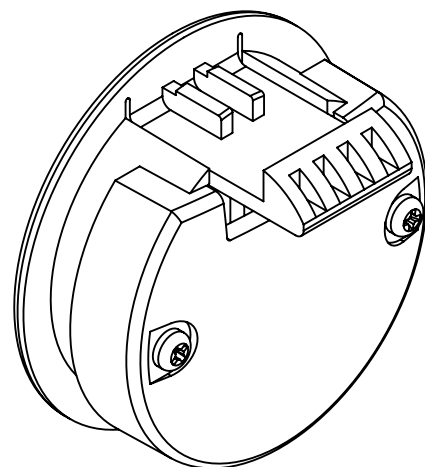
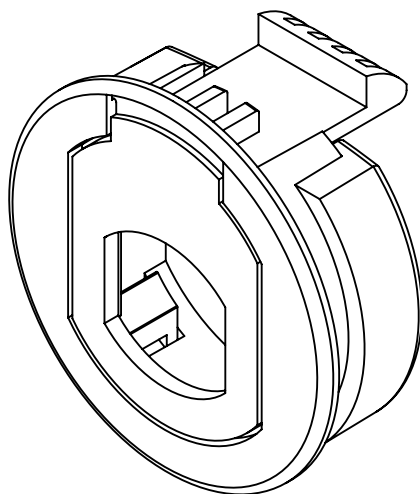
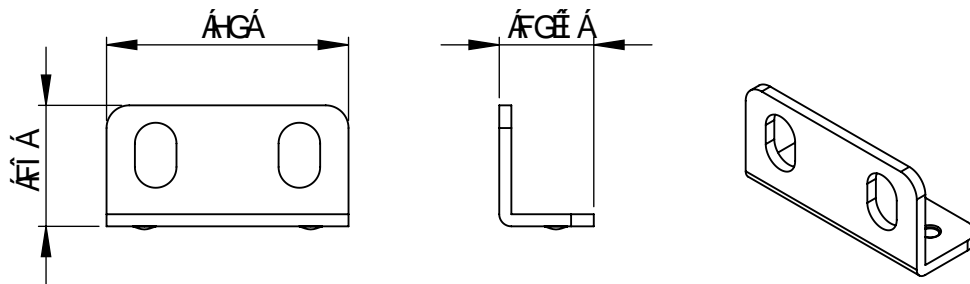
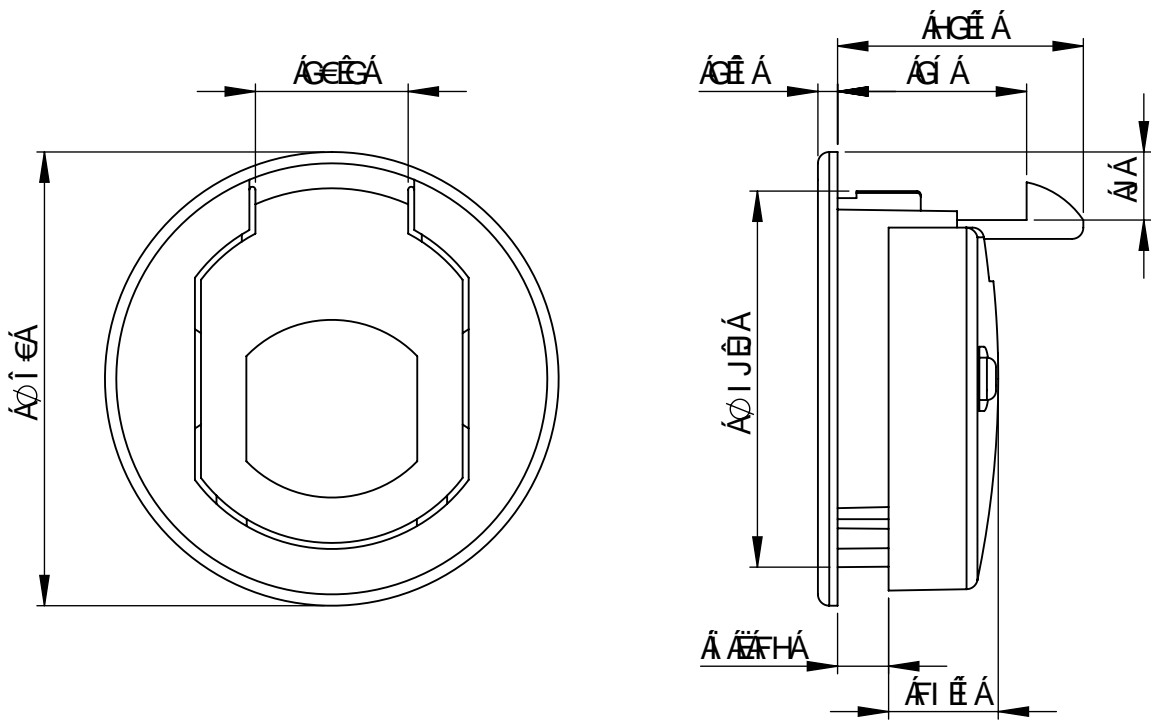


H97 < B € 7 < 9 N9 7 < BI B;  
 H97 < B 7 5 @ 8 F 5 K B; ' 0 B 9 G G B H97 < B € I 9 ' 0 B € I > C H97 < B 7 C



/\*) \*



5XUa < U" 0VYfb]a h\_Y]bY"; Yk ÁVfcXYF < Uzi b[ z0FX]YF ]Mh[ \_Y]z; YbUi ] \_Y]hi bX'J c"grAbX[ ]\_Y]xY]gYfNY]Mbi b["  
 5XUa < U" UWWd]q bc fYgdcbg[V] ]mcf ]UV] ]miZf h\_Y VefFYVibYggzUWVfUWnUbX Vta d'YfYbYgg cZa ]g ]i gffU]cb"  
 5XUa < U" b Uggi a Y'U' WbY [ UfUbhY b] fYgdcbgUV] ]Á ei Uoh¼U VebZfa ]rAz U dfAV]g]cb Yh' YI \U] g]j ]rÁ XY' W' gWÁa U"  
 5XUa < U" bc cZfW' [ UfUbiU U' [ i bU fYgdYVte U" UYI UVMh XzdfYV]g] b c ]bY [ f]XUX XY YgtU ]i gffU] b"

5XUa < U" ; a V < 0BUJa Yfgf" - CE%&\* + BYi !5bgdUWV ; Yfa Ubm  
 HY" fZ (-E\*\$ , %# - (% \$ CE UI . fZ (-E\*\$ , %# - (% %\$\$\$ 0Y!a U] . a U]4 UXUa \U" Vta