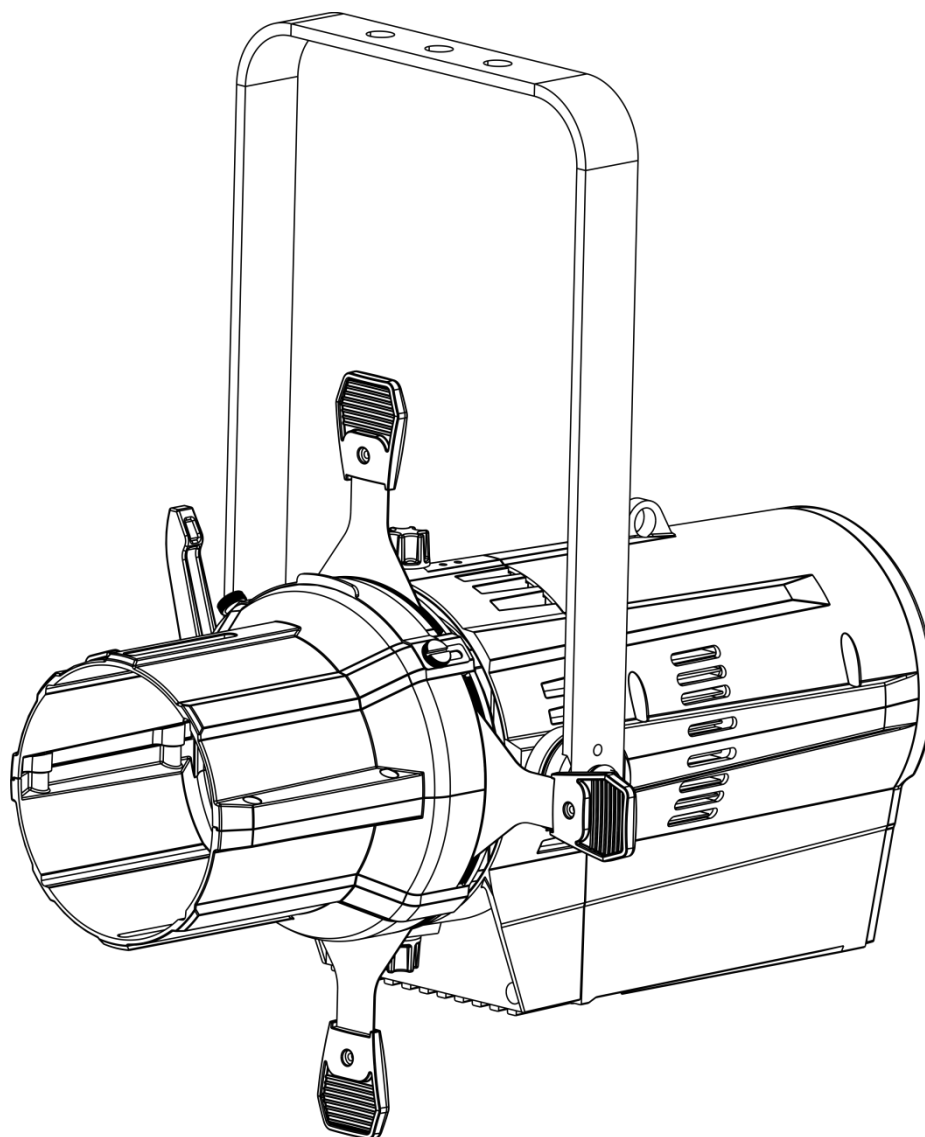




MANUAL



ENGLISH

Performer Profile 650 Q5 V1

Ordercode: 33064

Table of contents

Warning	3
Safety Instructions	3
Operating Determinations	5
Rigging	5
Connection with the mains	6
Return Procedure	7
Claims	7
Description of the device	8
Features	8
Optional accessories	8
Overview	8
Backside	10
Installation	11
Set Up and Operation	11
Lens Locations	11
Focusing the beam	11
Color frame retaining clip	12
Color Notes	12
Shaping the beam	12
Shutters	13
Drop-in Iris-Slot	13
Rotating the barrel assembly	14
Installation with clamp	14
Setting the angle	15
Control Modes	15
One Performer (Static Mode)	15
One Performer (Preset colors)	15
Multiple Performers (Master/Slave control)	16
Multiple Performers (DMX Control)	17
Fixture Linking	18
Data Cabling	18
Control Panel	19
Control Mode	19
DMX Addressing	19
Menu Overview	20
Main Menu Options	21
1. Static Colors	21
2. Preset Colors	22
3. DMX Address	22
4. Master/Slave Mode	22
5. Personality (DMX channel modes)	22
6. Settings	23
6.1. Upload	23
6.2. Reset	23
6.3. Dimmer	23
6.4. Send	23
6.5. DMX Error	24
6.6. Performance settings	24
6.7. PWM rate	24
6.8. Color temperature	24
7. Safety lock	24
8. Calibration	25
8.1. White color calibration	25
9. Information	25

DMX Channels26
 8 channels (HSIC)26
 8 channels (SIMPLE)27
 6 channels (SDO)27
 11 channels (COLOR 8BIT)29
 17 channels (COLOR 16BIT)30

Cleaning.....32
 Cleaning 19°, 26°, 36°, and 50° glass lenses32
 Cleaning the reflector.....32

Maintenance33
 Replacing the Fuse33

Troubleshooting33
 No Light33
 No Response to DMX.....33

Product Specifications35

Dimensions.....36

Notes.....37

Warning



**For your own safety, please read this user manual carefully
before your initial start-up!**

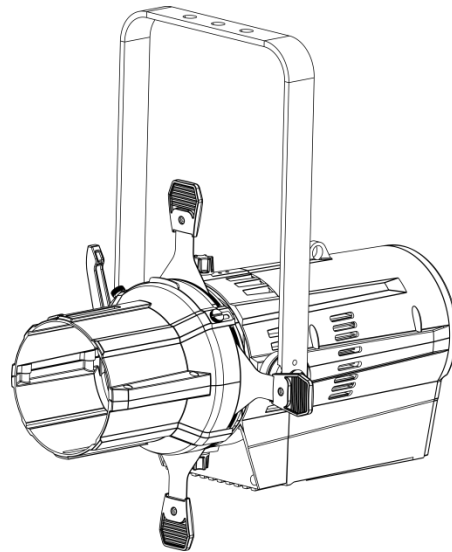


Unpacking Instructions

Immediately upon receiving this product, carefully unpack the carton and check the contents to ensure that all parts are present, and have been received in good condition. Notify the dealer immediately and retain packing material for inspection if any parts appear damaged from shipping or the carton itself shows signs of mishandling. Save the carton and all packing materials. In the event that a fixture must be returned to the factory, it is important that the fixture be returned in the original factory box and packing.

Your shipment includes:

- Showtec Performer Profile 650 Q5
- 1 safety cable
- User manual



LED Expected Lifespan

LEDs gradually decline in brightness over time. HEAT is the dominant factor that leads to the acceleration of this decline. Packaged in clusters, LEDs exhibit higher operating temperatures than in ideal or singular optimum conditions. For this reason, when all color LEDs are used at their fullest intensity, life of the LEDs is significantly reduced. If improving the lifespan is of higher priority, place care in providing for lower operational temperatures. This may include climatic-environmental and the reduction of overall projection intensity.



CAUTION!

**Keep this device away from rain and moisture!
Unplug mains lead before opening the housing!**



Safety Instructions

Every person involved with the installation, operation and maintenance of this device has to:

- be qualified
- follow the instructions of this manual



**CAUTION! Be careful with your operations.
With a dangerous voltage you can suffer
a dangerous electric shock when touching the wires!**



Before the initial start-up, please make sure that there is no damage caused by transportation. Should there be any, consult your dealer and do not use the device.

To maintain perfect condition and to ensure a safe operation, it is absolutely necessary for the user to follow the safety instructions and warning notes contained in this manual.

Please consider that damages caused by manual modifications to the device are not subject to warranty.

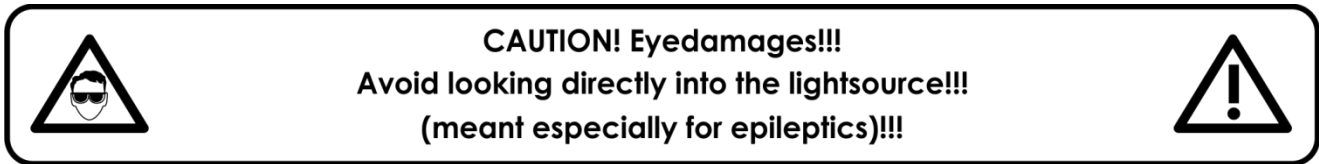
This device contains no user-serviceable parts. Refer servicing to qualified technicians only.

IMPORTANT:

The manufacturer will not accept liability for any resulting damages caused by the non-observance of this manual or any unauthorized modification to the device.

- Never let the power cord come into contact with other cables! Handle the power cord and all connections with the mains with particular caution!
- Never remove warning or informative labels from the unit.
- Never use anything to cover the ground contact.
- Never lift the fixture holding it by the projector-head, as the mechanics may be damaged. Always hold the fixture by the transport handles.
- Never place any material over the lens.
- Never look directly into the light source.
- Never leave any cables lying around.
- Never loosen the screws of the rotating gobo otherwise you risk opening of the ball bearing.
- Do not insert objects into air vents.
- Do not connect this device to a dimmerpack.
- Do not switch the device on and off in short intervals, as this will reduce the device's life.
- Do not touch the device's housing bare-handed during its operation (housing becomes very hot). Allow the fixture to cool for at least 5 minutes before handling.
- Do not shake the device. Avoid brute force when installing or operating the device.
- Only use the device indoors, avoid contact with water or other liquids.
- Only operate the fixture after having checked if the housing is firmly closed and all screws are tightly fastened.
- Only operate the device after having familiarized with its functions.
- Avoid flames and do not put close to flammable liquids or gases.
- Always keep the case closed while operating.
- Always allow a free air space of at least 50 cm around the unit for ventilation.
- Always disconnect power from the mains, when device is not used or before cleaning! Only handle the power cord holding it by the plug. Never pull out the plug by tugging the power cord.
- Make sure that the device is not exposed to extreme heat, moisture or dust.
- Make sure that the available voltage is not higher than stated on the rear panel.
- Make sure that the power cord is never crimped or damaged. Check the device and the power cord from time to time.
- If the lens is obviously damaged, it has to be replaced.
- If device was dropped or struck, disconnect mains power supply immediately. Have a qualified engineer inspect for safety before operating.
- If the device has been exposed to drastic temperature fluctuation (e.g. after transportation), do not switch it on immediately. The arising condensation water might damage your device. Leave the device switched off until it has reached room temperature.
- If your Showtec device fails to work properly, discontinue the use immediately. Pack the unit securely (preferably in the original packing material), and return it to your Showtec dealer for service.
- For adult use only. Device must be installed beyond the reach of children. Never leave the unit running unattended.
- Never attempt to bypass the thermostatic switch or fuses.
- For replacement use fuses of same type and rating only.

- The user is responsible for correct positioning and operating of the Performer. The manufacturer will not accept liability for damages caused by the misuse or incorrect installation of this device.
- This device falls under protection class I. Therefore it is essential to connect the yellow/green conductor to earth.
- Repairs, servicing and electric connection must be carried out by a qualified technician.
- WARRANTY: Till one year after date of purchase.



Operating Determinations

- This device is not designed for permanent operation. Consistent operation breaks will ensure that the device will serve you for a long time without defects.
- The minimum distance between light output and the illuminated surface must be bigger than 1 meter.
- The maximum ambient temperature $t_a = 40^\circ\text{C}$ must never be exceeded.
- The relative humidity must not exceed 50 % with an ambient temperature of 40°C .
- If this device is operated in any other way than the one described in this manual, the product may suffer damages and the warranty becomes void.
- Any other operation may lead to dangers like short-circuit, burns, electric shock, crash, etc.

You endanger your own safety and the safety of others!

Rigging

Please follow the European and national guidelines concerning rigging, trussing and all other safety issues.

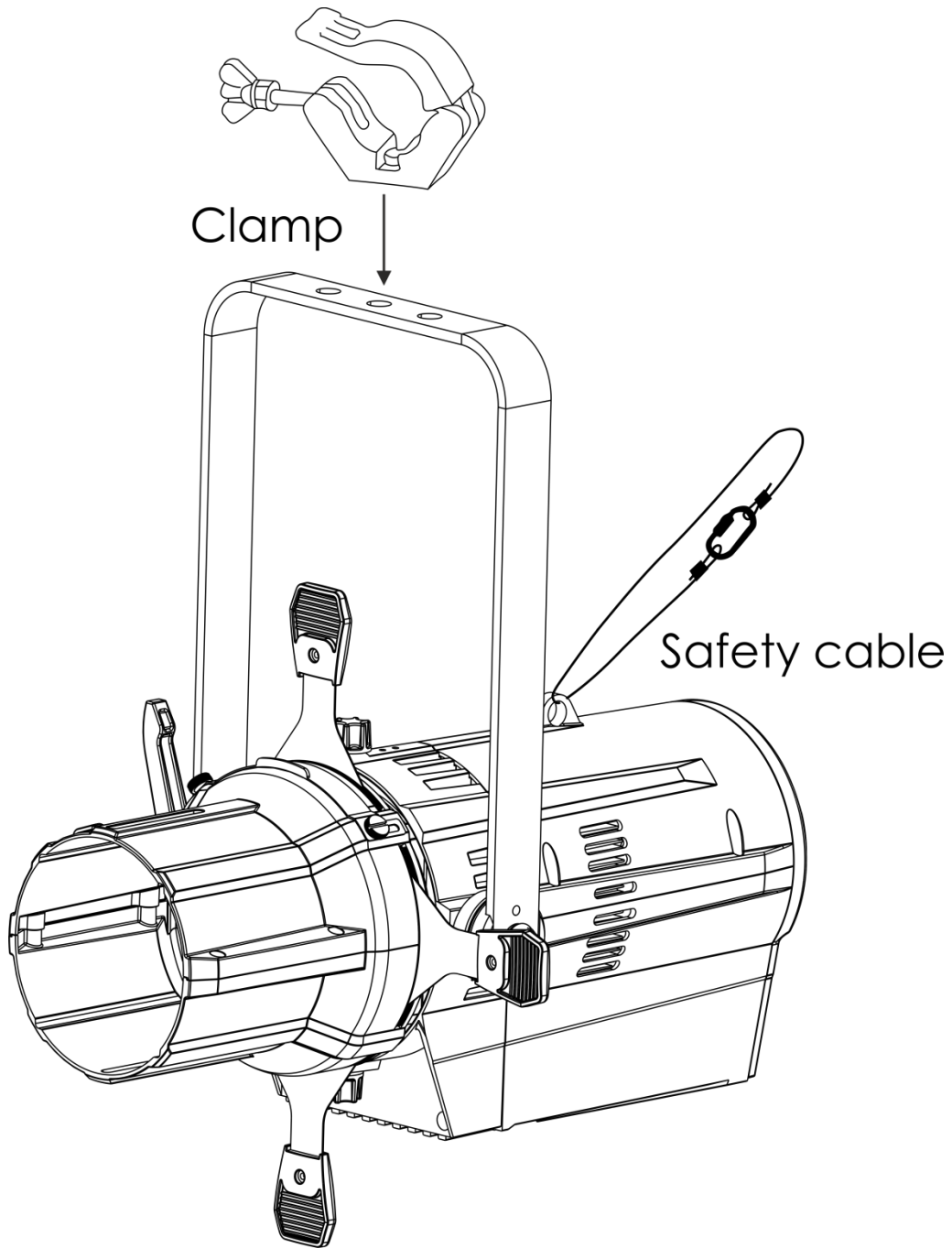
Do not attempt the installation yourself !

Always let the installation be carried out by an authorized dealer !

Procedure:

- If the Performer is lowered from the ceiling or high joists, professional trussing systems have to be used.
- Use a clamp to mount the Performer, with the mounting bracket, to the trussing system.
- The Performer must never be fixed swinging freely in the room.
- The installation must always be secured with a safety attachment, e.g. an appropriate safety net or safety cable.
- When rigging, derigging or servicing the Performer, always make sure, that the area below the installation site is secured and that there are not any unauthorized people around.

Improper installation can cause serious injuries and/or damage of property!



Connection with the mains

Connect the device to the mains with the power-plug.
Always check if the right color cable is connected to the right place.

International	EU Cable	UK Cable	US Cable	Pin
L	BROWN	RED	YELLOW/COPPER	PHASE
N	BLUE	BLACK	SILVER	NEUTRAL
⊕	YELLOW/GREEN	GREEN	GREEN	PROTECTIVE GROUND

Make sure that the device is always properly connected to the earth!

Improper installation can cause serious injuries and/or damage of property!



Return Procedure

Returned merchandise must be sent prepaid and in the original packing, call tags will not be issued. Package must be clearly labeled with a Return Authorization Number (RMA number). Products returned without an RMA number will be refused. Highlite will not accept the returned goods or any responsibility. Call Highlite 0031-455667723 or mail offersales@highlite.nl and request an RMA prior to shipping the fixture. Be prepared to provide the model number, serial number and a brief description of the cause for the return. Be sure to properly pack fixture, any shipping damage resulting from inadequate packaging is the customer's responsibility. Highlite reserves the right to use its own discretion to repair or replace product(s). As a suggestion, proper UPS packing or double-boxing is always a safe method to use.

Note: If you are given an RMA number, please include the following information on a piece of paper inside the box:

- 01) Your name
- 02) Your address
- 03) Your phone number
- 04) A brief description of the symptoms

Claims

The client has the obligation to check the delivered goods immediately upon delivery for any shortcomings and/or visible defects, or perform this check after our announcement that the goods are at their disposal. Damage incurred in shipping is the responsibility of the shipper; therefore the damage must be reported to the carrier upon receipt of merchandise.

It is the customer's responsibility to report and submit claims with the shipper in the event that a fixture is damaged due to shipping. Transportation damage has to be reported to us within one day after receipt of the delivery.

Any return shipment has to be made post-paid at all times. Return shipments must be accompanied with a letter defining the reason for return shipment. Non-prepaid return shipments will be refused, unless agreed otherwise in writing.

Complaints against us must be prepared in writing or sent by fax within 10 working days after receipt of the invoice. After this period complaints will not be handled anymore.

Complaints will only then be considered if the client has so far complied with all parts of the agreement, regardless of the agreement from which the obligation is resulting.

Description of the device

Features

The Showtec Performer Profile 650 Q5 is a theater spotlight fixture with high output and great effects.

- Light Source: 1 x 240W LED Array 5-in-1
- Input Voltage: 100-240VAC, 50/60Hz
- Power Consumption: 300W
- Output: 60800 Lux@1m (26° lens)
- Drive current: 1,5A
- Refresh Rate: 1200Hz
- Dimmer: 0-100%
- Beam angle: 15°-50°, depending on applied lens
- Dim Curve: Dimm4 technology, 4 presets
- Strobe: 0-25Hz
- Connections: 3- and 5-pin XLR signal connectors IN/OUT, Neutrik Powercon power connectors IN/OUT
- Power Linking: 3 units @120V; 6 units @230V
- DMX channels: 6, 8, 8, 11 or 17 channels
- Housing: Die-cast aluminum
- Cooling: Silent fan
- Accessory slot for motorized pattern devices or optional iris
- IP Rating: IP20
- Fuse: T6,3AL/250V
- Dimensions: 540 x 305 x 520 mm (LxWxH) (incl. bracket)
- Weight: 8,2 kg

Optional accessories

[33070](#) Zoom Lens Performer Profile, 15° - 30°

[33071](#) Zoom Lens Performer Profile, 25° - 50°

[33072](#) 19° lens Performer Profile

[33073](#) 36° lens Performer Profile

[33074](#) 50° lens Performer Profile

[33075](#) 26° lens Performer Profile

[33076](#) Iris for Performer Serie

[33077](#) Gobo Holder for Performer serie (Soft Edge)

[33078](#) Gobo Holder for Performer serie (Metal)

[33079](#) Gobo Holder for Performer serie (Glass)

[90527](#) Powercable Neutrik Powercon to Schuko (1,5m)

Overview

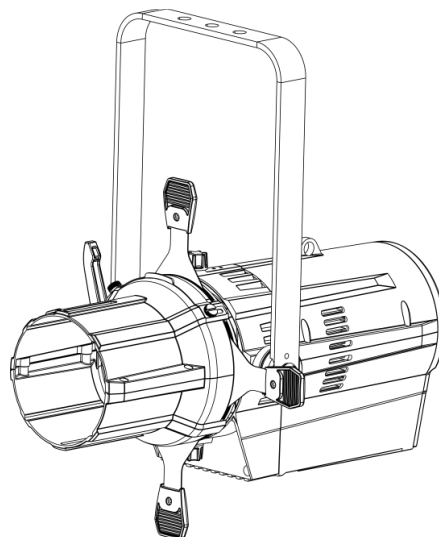


Fig. 01

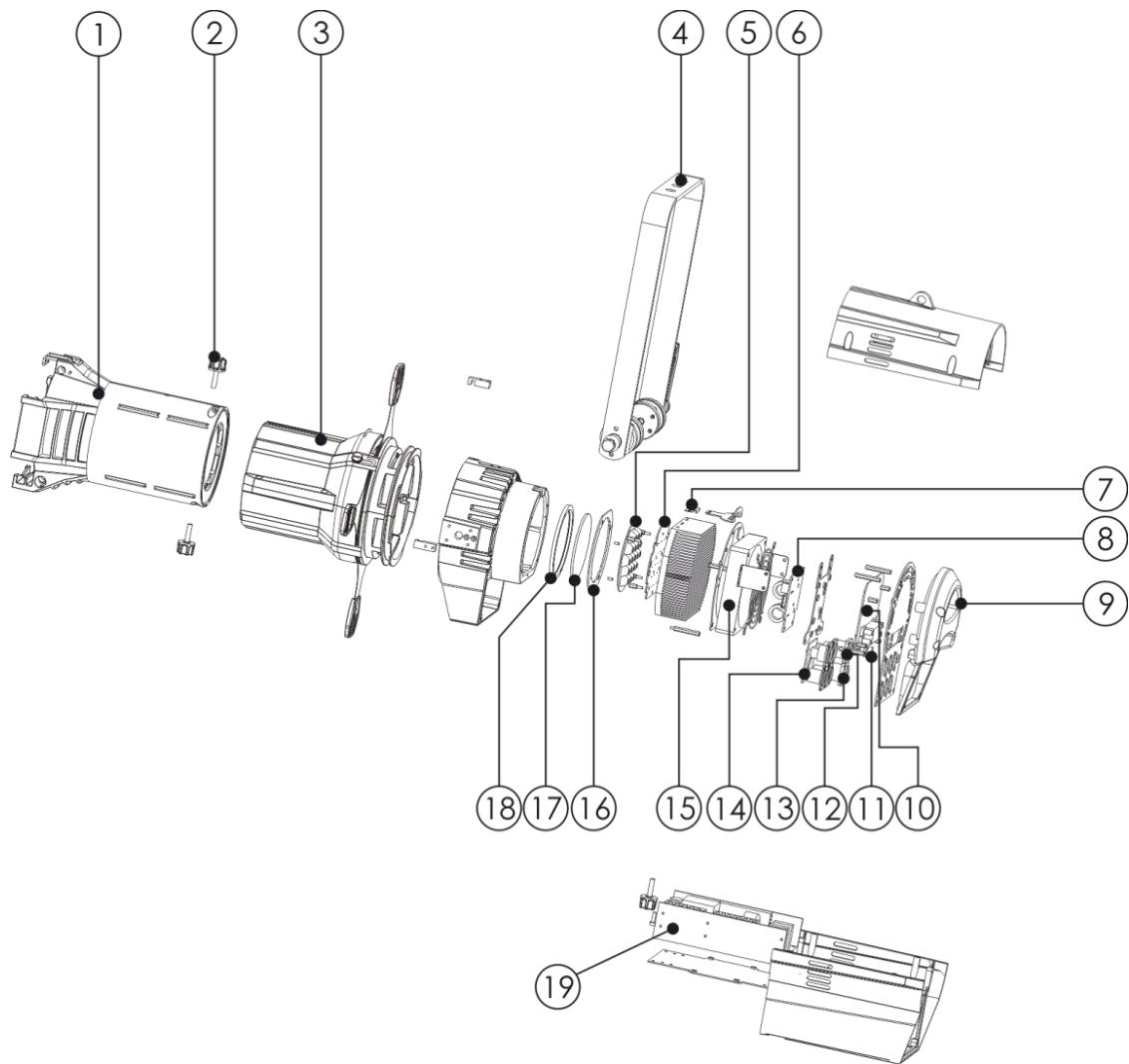


Fig. 02

- 01) Lens tube
- 02) Beam focus control
- 03) Barrel
- 04) Mounting bracket
- 05) LED lens
- 06) LED board
- 07) Thermal switch holder + thermal switch
- 08) Driver board
- 09) Insulated handle
- 10) PCB
- 11) Fuse T6,3AL/250V
- 12) PS socket
- 13) PS socket
- 14) PCB adapter
- 15) Cooling fan
- 16) Lens cover
- 17) Convex lens
- 18) Lens cover
- 19) Power supply

Backside

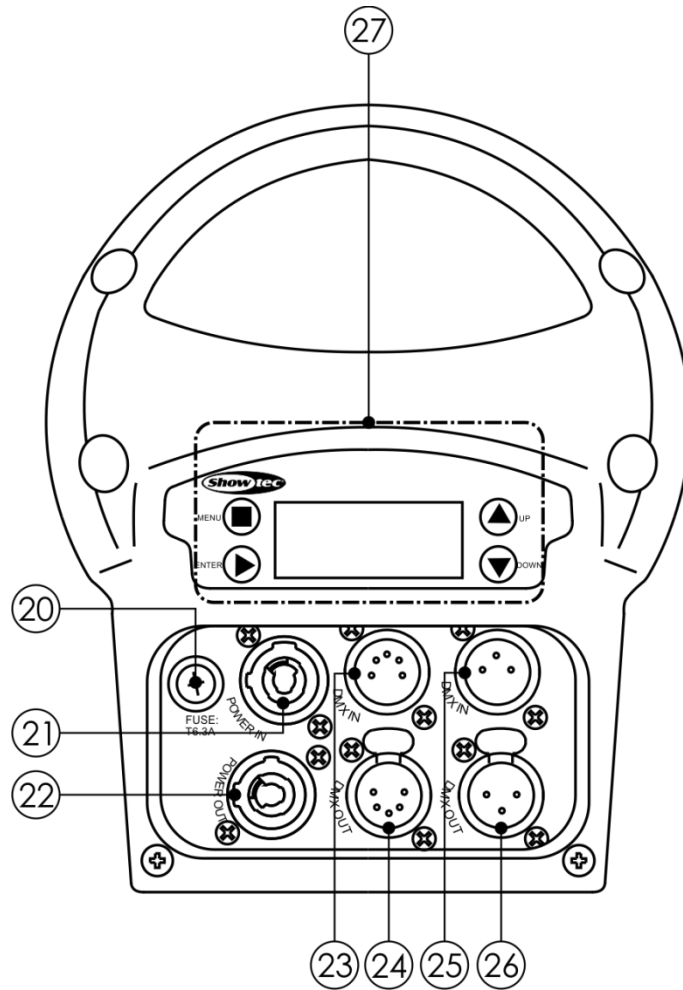


Fig. 03

- 20) Fuse T6,3AL/250V
- 21) Powercon power connector 100-240V IN
- 22) Powercon power connector 100-240V OUT
- 23) 5-pin DMX signal connector IN
- 24) 5-pin DMX signal connector OUT
- 25) 3-pin DMX signal connector IN
- 26) 3-pin DMX signal connector OUT
- 27) LCD display + control buttons

Installation

Remove all packing materials from the Performer Profile 650 Q5. Check if all foam and plastic padding is removed. Connect all cables.

Do not supply power before the whole system is set up and connected properly.

Always disconnect from electric mains power supply before cleaning or servicing.

Damages caused by non-observance are not subject to warranty.

Set Up and Operation

Follow the directions below, as they pertain to your preferred operation mode.

Before plugging the unit in, always make sure that the power supply matches the product specification voltage. Do not attempt to operate a 120V specification product on 230V power, or vice versa.

Connect the device to the main power supply.

Lens Locations

The different lenses used in the Performer are not interchangeable. When installing a new lens, refer to the illustration below for proper placement.

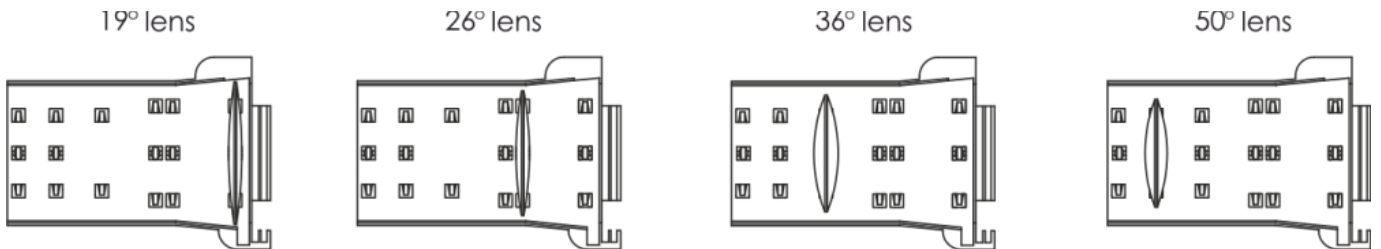


Fig. 04

Focusing the beam

01) Loosen the beam focus controls located under the barrel (Fig. 05).

02) Slide the lens tube forwards or backwards to achieve the desired beam edge.

03) Once the fixture is focused, tighten the beam focus controls.

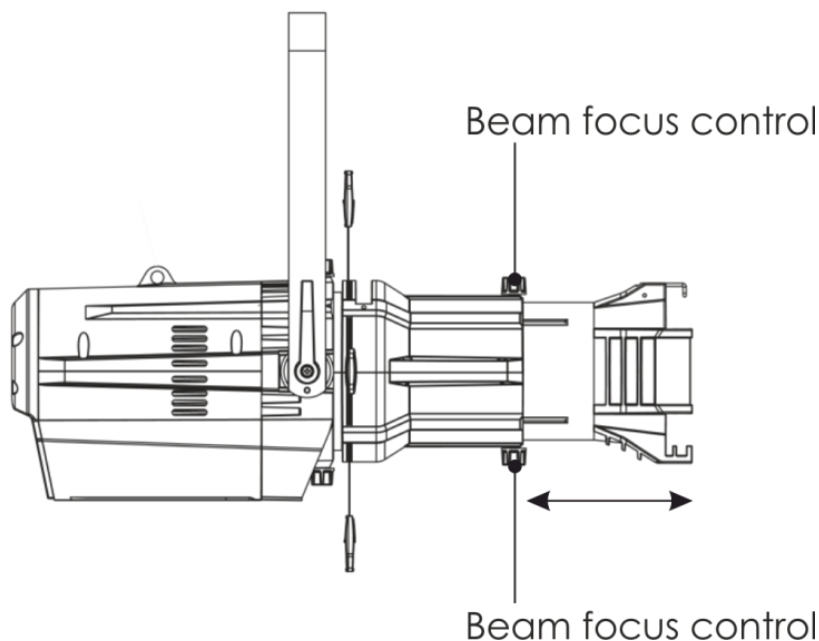


Fig. 05

Color frame retaining clip

The color frame holder is equipped with a spring-loaded retaining clip. This prevents color frames and accessories from falling out (Fig. 06).



Make sure that all color frame accessories are locked in position with the retaining clip before hanging the Performer Profile 650 Q5.



- 01) Release the retaining clip by pushing it sideways while gently pulling backwards.
- 02) Insert the color frame(s).
- 03) Lock the retaining clip by pushing sideways while gently pushing forward.

Retaining clip in locked position

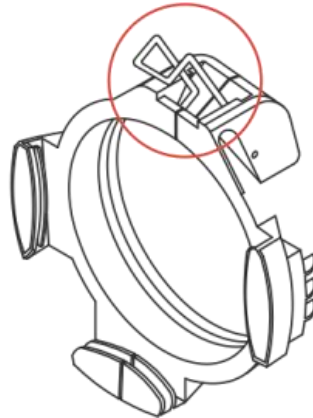


Fig. 06

Color Notes

The performance of saturated colors is not guaranteed with low temperature ranges. For best results, always use a high quality and temperature color medium. This product color extender may help increase your gel life. Contact your dealer for ordering information.

	Soft Focus, Tube Retracted	Sharp Focus	Soft Focus Tube Extended
19°	W	B	B
26°	W	B	B
36°	B	B	W
50°	W	B	B

W: Worse gel life
 B: Better gel life

Shaping the beam

You may shape the beam with the shutters, a pattern, an optional drop-in iris, or by rotating the barrel.

Shutters

The shutters are located inside the barrel. Move them back and forth to modify the shape of the beam.

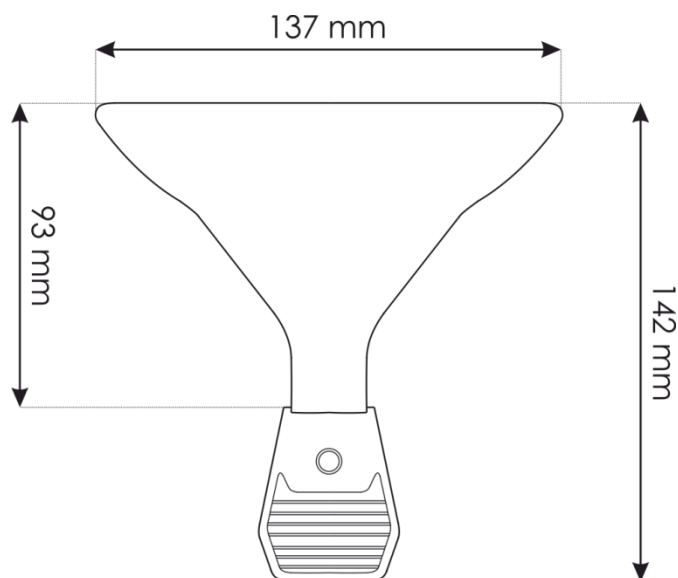


Fig. 07

Drop-in Iris-Slot

The Drop-in Iris slot is located on the top of the barrel. It accommodates either a drop-in iris or a motorized pattern device. When the slot is not in use, a small sheet metal cover secured with 2 screws prevents light leakage (Fig. 08).

- 01) Use a screwdriver to loosen the screws on the drop-in iris slot cover. Do not remove the screws.
- 02) Slide the cover completely forward to expose the slot.
- 03) Insert the iris or motorized pattern device. For an iris, install the flat side towards the shutters and make sure that the iris handle extends from the slot.
- 04) Slide the slot cover back towards the shutters, until it meets the iris handle. Leave enough space to move the iris handle.
- 05) Secure the drop-in iris slot cover by tightening the screws.

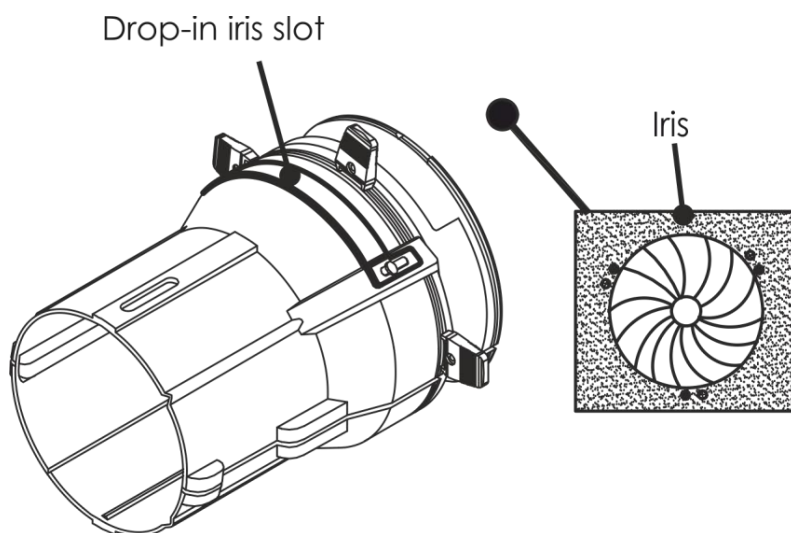
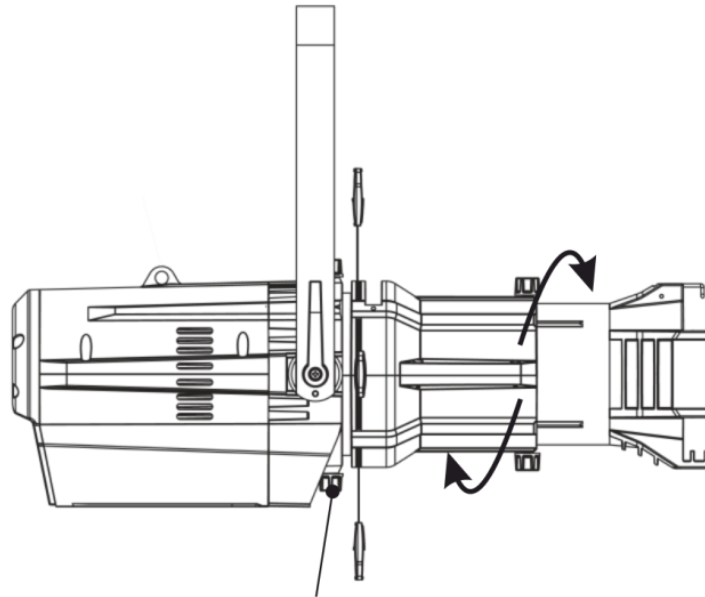


Fig. 08

Rotating the barrel assembly

- 01) Loosen the barrel rotation control. It can be found directly behind the shutters on the underside of the reflector housing (Fig 09). **Do not remove the barrel rotation control.**
- 02) Rotate the barrel to the desired position.
- 03) Once the barrel is positioned, tighten the barrel's rotation control to lock it into position.



Barrel rotation control

Fig. 09

Installation with clamp

You can choose an appropriate clamp from your dealer to fix the fixture to a trussing system and allows you to adjust the position of the fixture once it is mounted. (Fig. 10).

- 01) Tightly fasten the clamp to the mounting bracket with the provided pipe bolt and lock washer.
- 02) Place the clamp on the truss, then tighten the bolt to secure it.
- 03) Loosen the clamp pan screw and rotate the mounting bracket to the desired position.
- 04) Tighten the pan screw to lock the fixture into position.

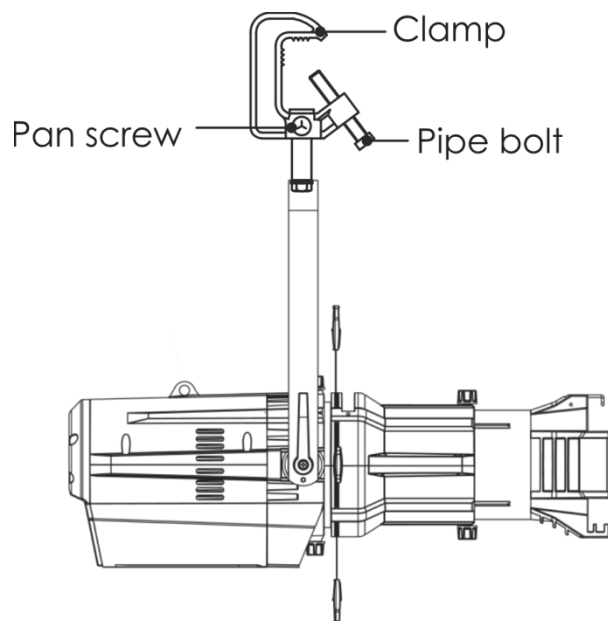


Fig. 10

Setting the angle

- 01) Loosen the adjustment screws (do not remove them).
- 02) Tilt the fixture to the desired position (Fig. 11).
- 03) Tighten the adjustment screws to secure the fixture in position.

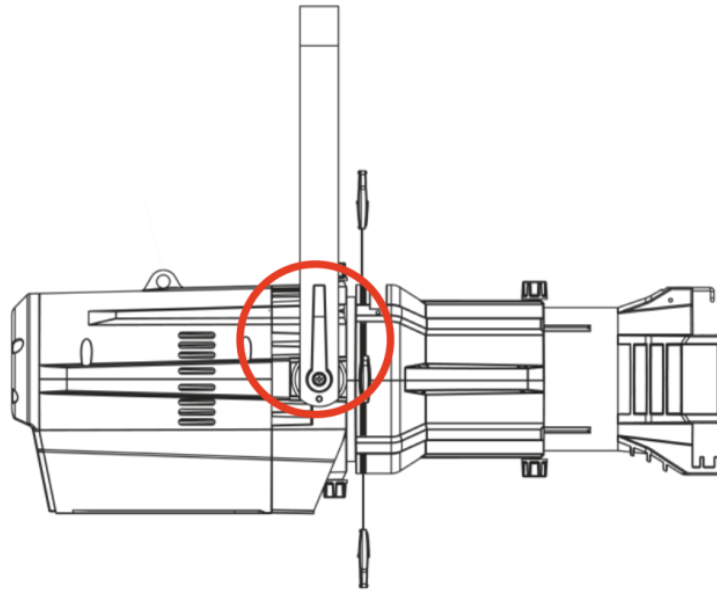


Fig. 11

Control Modes

There are 4 modes:

- Static mode
- Preset colors
- Master/Slave
- DMX-512 (6CH, 8CH, 8CH, 11CH, 17CH)

One Performer (Static Mode)

- 01) Fasten the effect light to a firm trussing. Leave at least 0,5 meter on all sides for air circulation.
- 02) Always use a safety cable (ordercode 70140 / 70141).
- 03) Plug the end of the electric mains power cord into a proper electric power supply socket.
- 04) When the Performer is not connected with a DMX cable, it functions as a stand-alone device. Please see page 21 for more information about the Static Mode.

One Performer (Preset colors)

- 01) Fasten the effect light to a firm trussing. Leave at least 0,5 meter on all sides for air circulation.
- 02) Always use a safety cable (ordercode 70140 / 70141).
- 03) Plug the end of the electric mains power cord into a proper electric power supply socket.
- 04) When the Performer is not connected with a DMX cable, it functions as a stand-alone device. Please see page 22 for more information about the Preset color.

Multiple Performers (Master/Slave control)

- 01) Fasten the effect light onto firm trussing. Leave at least 0,5 meter on all sides for air circulation.
- 02) Always use a safety cable (ordercode 70140 / 70141).
- 03) Use a 3-pin XLR cable to connect the Performer.

The pins:



- 01) Earth
- 02) Signal -
- 03) Signal +

- 04) Link the units as shown in fig. 12. Connect the first unit's DMX "out" socket with the second unit's "in" socket, using a DMX-signal cable. Repeat this process to link the second, third, and fourth units. You can use the same functions on the master device as described on pages 21 and 22 (Static Mode, Preset color). This means that you can set your desired operation mode on the master device and all slave devices will react the same as the master device.

Multiple Performers (Master/Slave control)

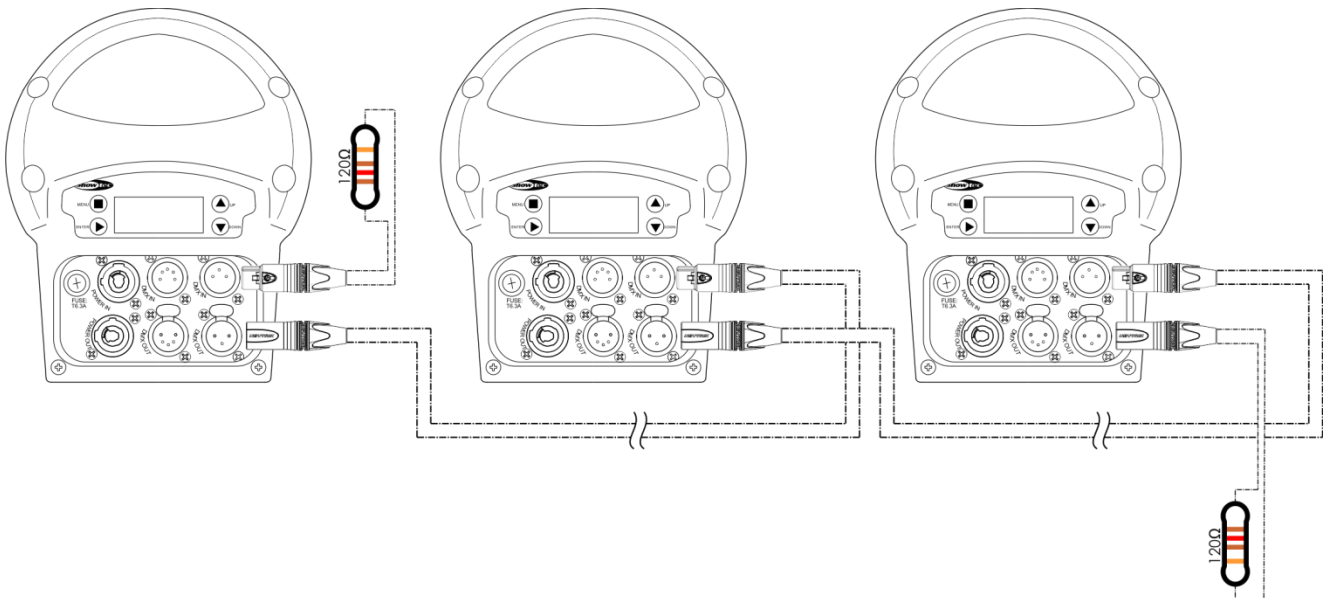
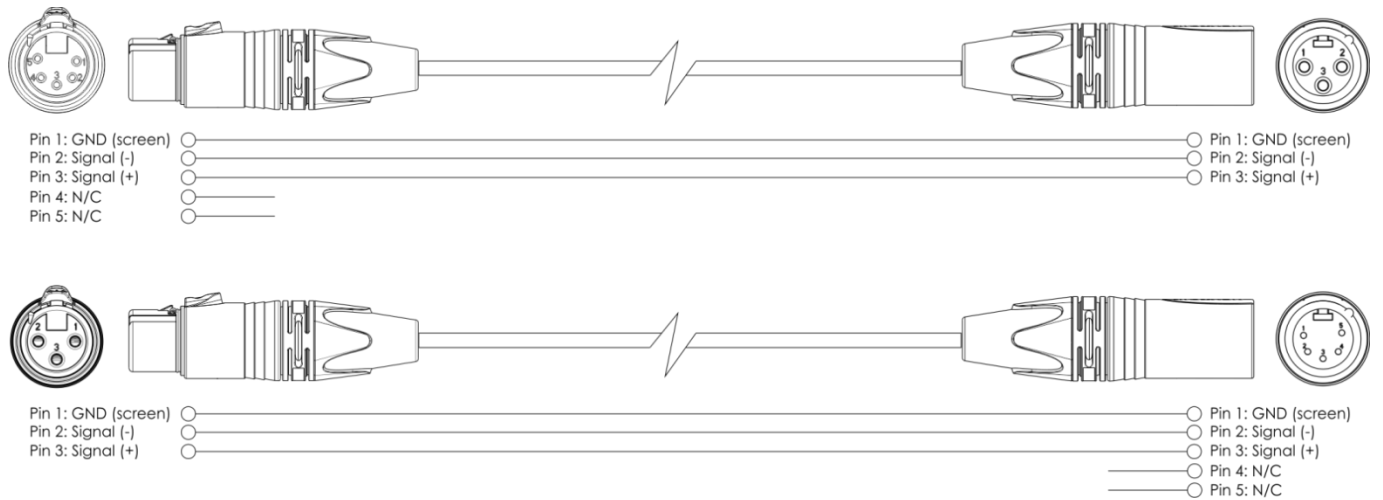


Fig. 12

Multiple Performers (DMX Control)

- 01) Fasten the effect light to a firm trussing. Leave at least 0,5 meter on all sides for air circulation.
- 02) Always use a safety cable (ordercode 70140 / 70141).
- 03) Use a 3-pin XLR cable to connect the Performers and other devices.



- 04) Link the units as shown in fig. 13. Connect the first unit's DMX "out" socket with the second unit's "in" socket, using a DMX-signal cable. Repeat this process to link the second, third, and fourth units.
- 05) Supply electric power: Plug electric mains power cords into each unit's Powercon socket, then plug the other end of the mains power cord into proper electric power supply sockets, starting with the first unit. Do not supply power before the whole system is set up and connected properly.

Multiple Performers DMX Set Up

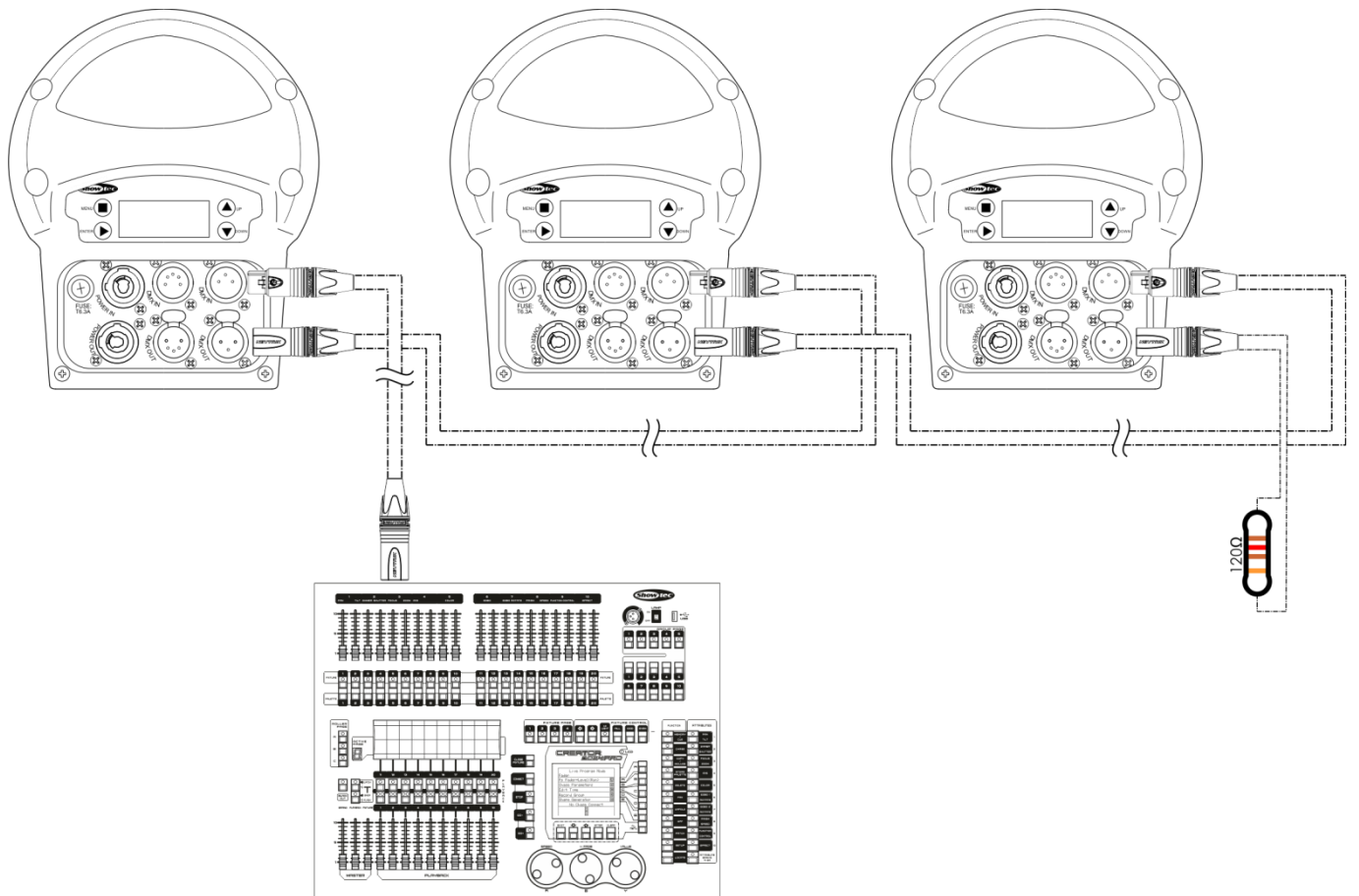


Fig. 13

Note : Link all cables before connecting electric power

Fixture Linking

You will need a serial data link to run light shows of one or more fixtures using a DMX-512 controller or to run synchronized shows of two or more fixtures set to a master/slave operating mode. The combined number of channels required by all the fixtures on a serial data link determines the number of fixtures the data link can support.

Important: Fixtures on a serial data link must be daisy-chained in a single line. To comply with the EIA-485 standard, no more than 30 devices should be connected on one data link. Connecting more than 30 fixtures on one serial data link without the use of a DMX optically isolated splitter may result in deterioration of the digital DMX signal.



Maximum recommended DMX data link distance: 100 meters

Maximum recommended number of fixtures on a DMX data link: 30 fixtures

Maximum recommended number of fixtures on a Power link: 3 units @120V

Maximum recommended number of fixtures on a Power link: 6 units @230V

Data Cabling

To link fixtures together, you must obtain data cables. You can purchase DAP Audio certified DMX cables directly from a dealer/distributor or construct your own cable. If you choose to create your own cable, please use data-grade cables that can carry a high quality signal and are less prone to electromagnetic interference.

DAP Audio DMX Data Cables

- DAP Audio Basic microphone cable for allround use. bal. XLR/M 3-pin > XLR/F 3-pin. **Ordercode** FL01150 (1,5 m), FL013 (3 m), FL016 (6 m), FL0110 (10 m), FL0115 (15 m), FL0120 (20 m).
- DAP Audio X-type data cable XLR/M 3-pin > XLR/F 3-pin. **Ordercode** FLX0175 (0,75 m), FLX01150 (1,5 m), FLX013 (3 m), FLX016 (6 m), FLX0110 (10 m).
- DAP Audio cable for the demanding user with exceptional audio-qualities and connector made by Neutrik®. **Ordercode** FL71150 (1,5 m), FL713 (3 m), FL716 (6 m), FL7110 (10 m).
- DAP Audio cable for the demanding user with exceptional audio-qualities and connector made by Neutrik®. **Ordercode** FL7275 (0,75 m), FL72150 (1,5 m), FL723 (3 m), FL726 (6 m), FL7210 (10 m).
- DAP Audio 110 Ohm cable with digital signal transmission. **Ordercode** FL0975 (0,75 m), FL09150 (1,5 m), FL093 (3 m), FL096 (6 m), FL0910 (10 m), FL0915 (15 m), FL0920 (20 m).
- DAP Audio DMX adapter: 3-pin/5-pin. **Ordercode** FLA30.

The Performer Profile 650 Q5 can be operated with a controller in **control mode** or without the controller in **stand-alone mode**.

Control Panel

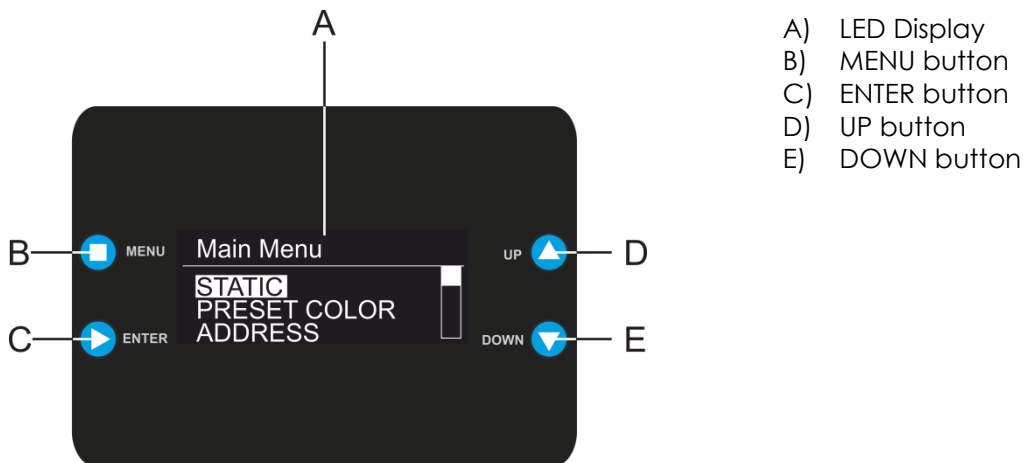


Fig. 14

Control Mode

The fixtures are individually addressed on a data-link and connected to the controller. The fixtures respond to the DMX signal from the controller. (When you select the DMX address and save it, the controller will display the saved DMX address, next time.)

DMX Addressing

The control panel on the front side of the base allows you to assign DMX fixture addresses, which is the first channel with which the Performer will respond to the controller.

Please note, when you use the controller, the unit has **17** channels.

When using multiple Performers, make sure you set the DMX addresses right.

Therefore, the DMX address of the first Performer should be **1(001)**; the DMX address of the second Performer should be **1+17=18 (018)**; the DMX address of the third Performer should be **18+17=35 (035)**, etc. Please, be sure that you do not have any overlapping channels in order to control each Performer correctly. If two or more Performers are addressed similarly, they will work similarly.

Controlling:

After having addressed all Performer fixtures, you may now start operating these via your lighting controller.

Note: After switching on, the Performer will automatically detect whether DMX 512 data is received or not. If not, the problem may be:

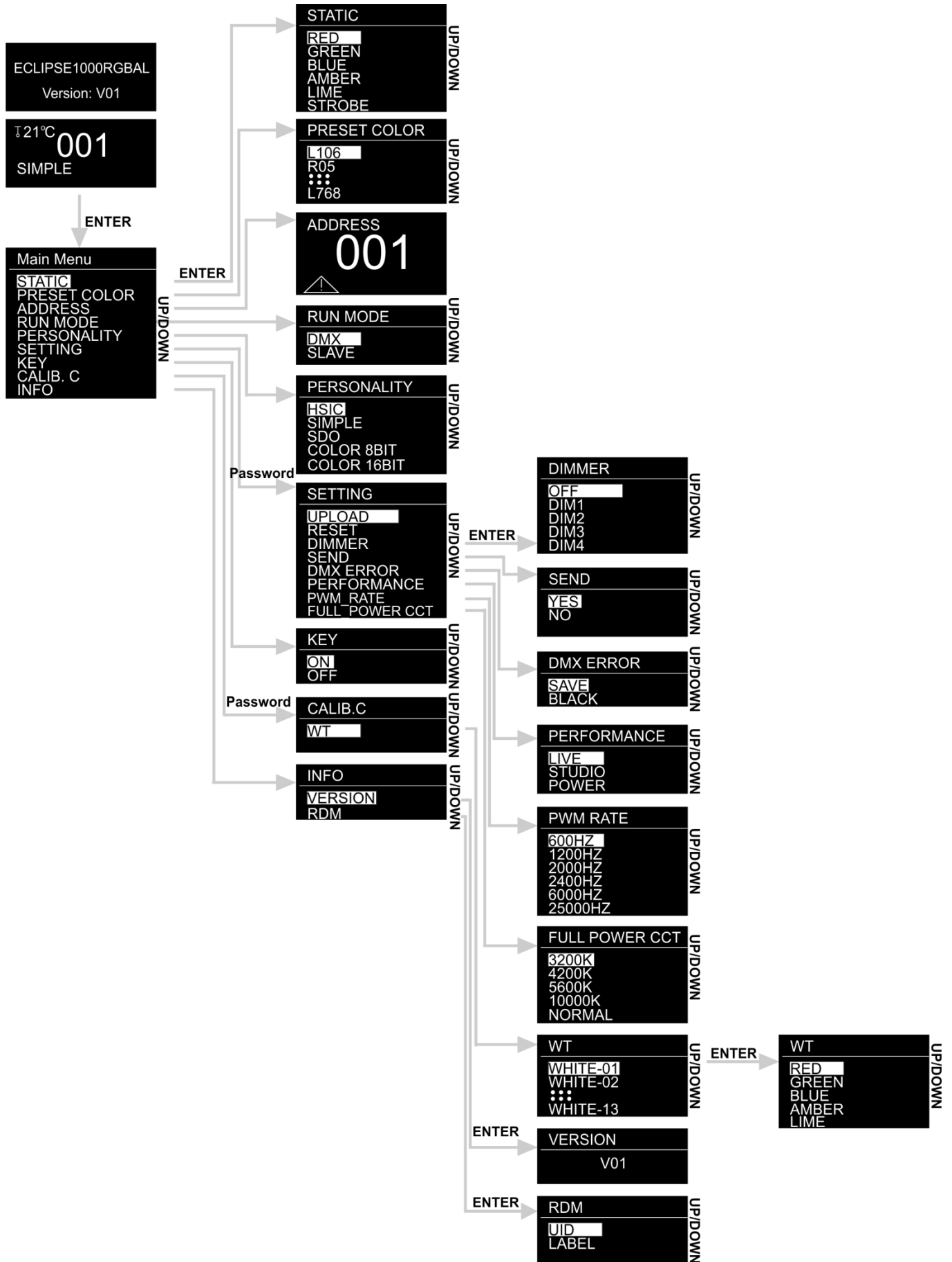
- The XLR cable from the controller is not connected with the input of the Performer Profile 600.
- The controller is switched off or defective, the cable or connector is defective, or the signal wires are swapped in the input connector.

Note: It is necessary to insert an XLR termination plug (with 120 Ohm) in the last fixture in order to ensure proper transmission on the DMX data link.

Display Off after 50 seconds

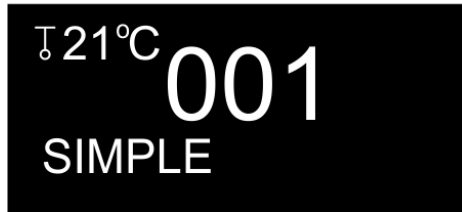
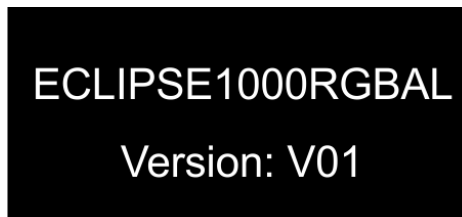
When no button is pressed for 50 seconds, the display will turn off. To light up the display, you have to press the MENU, UP, DOWN or ENTER button. Once you have pressed the button, the display will light up.

Menu Overview

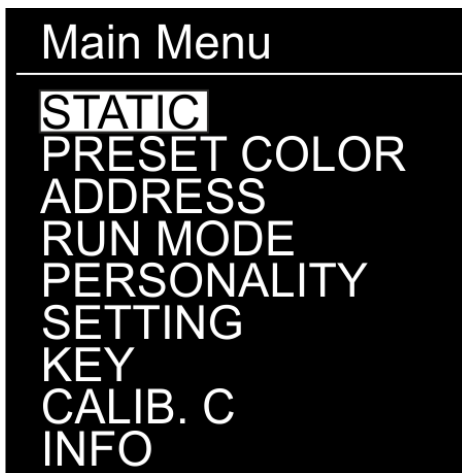


Main Menu Options

01) Upon start-up, the display will interchangeably show two screens:



02) Press the **ENTER** button to open the main menu. The display will show:



03) Press the **UP/DOWN** buttons to toggle between the menus.

04) Press the **ENTER** button to open the desired menu.

05) Press the **MENU** button to return to the previous screen.

1. Static Colors

With this menu, you can set the static colors.

01) While in the main menu, press the **UP/DOWN** buttons to choose STATIC.

02) Press the **ENTER** button to open the menu.

03) Press the **UP/DOWN** buttons to toggle between the static colors (RED, GREEN, BLUE, AMBER, LIME) and STROBE.

04) Once you have chosen the desired color, press the **ENTER** button to enter edition menu.

05) Press the **UP/DOWN** buttons to adjust the color intensity. The adjustment range is between 0-255, from dark to brightest.

06) Press the **ENTER** button to proceed to STROBE. Press the **UP/DOWN** buttons to increase/decrease the strobe frequency. The adjustment range is between 0-25, from OFF to high strobe frequency.

07) You can combine RED, GREEN, BLUE, AMBER and LIME to create an infinite range of colors (0-255).

2. Preset Colors

With this menu, you can choose one of the preset colors.



- 01) While in the main menu, press the **UP/DOWN** buttons to choose PRESET COLOR.
- 02) Press the **ENTER** button to open the menu.
- 03) Press the **UP/DOWN** buttons to choose between the 16 preset colors (L106, R05, L194, R54, L019, R08, R89, R86, L213, R377, R80, L202, L328, R3314, L101, L768).
- 04) Once you have chosen the desired color, press the **ENTER** button to display the color.

3. DMX Address

With this menu you can set the device's DMX starting address.

- 01) While in the main menu, press the **UP/DOWN** buttons to choose ADDRESS.
- 02) Press the **ENTER** button to open the menu.
- 03) Press the **UP/DOWN** buttons to set the desired DMX address. The adjustment range is between 001-512.
- 04) Press the **ENTER** button to save changes.

4. Master/Slave Mode

With this menu, you can set the device as a slave.



- 01) While in the main menu, press the **UP/DOWN** buttons to choose RUN MODE.
- 02) Press the **ENTER** button to open the menu.
- 03) Press the **UP/DOWN** buttons to toggle between the 2 options: DMX and SLAVE.
- 04) If you have chosen DMX, the display is operating in DMX/Master Mode.
- 05) If you have chosen SLAVE, the device is operating in Slave Mode. It means that it will react the same as the master device.

5. Personality (DMX channel modes)

With this menu, you can set the desired DMX channel mode (personality).



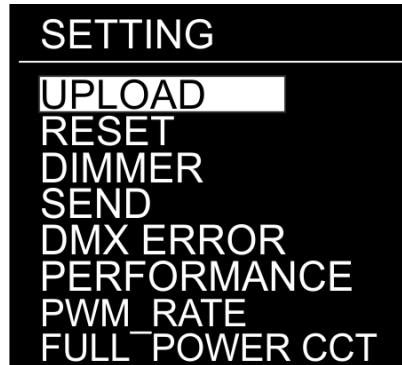
- 01) While in the main menu, press the **UP/DOWN** buttons to choose PERSONALITY.
- 02) Press the **ENTER** button to open the menu.
- 03) Press the **UP/DOWN** buttons to toggle between the following DMX channel modes:

HSIC:	8 channels	SIMPLE:	8 channels
SDO:	6 channels	COLOR 8BIT:	11 channels
COLOR 16BIT	17 channels		

6. Settings

With this menu you can set the device's settings.

- 01) While in the main menu, press the **UP/DOWN** buttons to choose SETTING.
- 02) Press the **ENTER** button to open the menu.
- 03) Insert the **password** in order to access the menu. Press the buttons in the following order: **UP,DOWN,UP,DOWN** and press the **ENTER** button to confirm.
- 04) Press the **UP/DOWN** buttons to toggle between the following menus: Upload, Reset, Dimmer, Send, DMX Error, Performance, PWM Rate, Full_Power CCT.



6.1. Upload

With this menu, you can export current programs from the master device to the connected slave devices.

- 01) While in SETTING menu, press the **UP/DOWN** buttons to choose UPLOAD.
- 02) Press the **ENTER** button to open the menu.
- 03) Insert the password in order to access the menu. Press the buttons in the following order: **UP,DOWN,UP,DOWN** and press the **ENTER** button to confirm.
- 04) The device will light up yellow. When the process is finished, the display will show OK.
- 05) If there are any **problems with exporting**, the master and the slave devices will light up **red**.
- 06) If the operation was **completed successfully**, the master and the slave devices will light up **green**.

6.2. Reset

With this menu, you can reset to the default settings.

- 01) While in SETTING menu, press the **UP/DOWN** buttons to choose RESET.
- 02) Press the **ENTER** button to open the menu.
- 03) Insert the password in order to access the menu. Press the buttons in the following order: **UP,DOWN,UP,DOWN** and press the **ENTER** button to confirm.
- 04) When the process is finished, the display will show OK. The device will have been reset to default settings.

6.3. Dimmer

With this menu, you can adjust the dimmer.

- 01) While in SETTING menu, press the **UP/DOWN** buttons to choose DIMMER.
- 02) Press the **ENTER** button to open the menu.
- 03) Press the **UP/DOWN** buttons to choose one of the 4 dimmer speed options (DIM1-DIM4, from fast to slow) and OFF.
- 04) If you choose OFF, then RGBW and the master dimmer will be linear.

6.4. Send

With this menu, you can send current programs from the master device to the connected slave devices.

- 01) While in SETTING menu, press the **UP/DOWN** buttons to choose SEND.
- 02) Press the **ENTER** button to open the menu.
- 03) You can choose YES to send.
- 04) The device will light up yellow. When the process is finished, the display will show OK.
- 05) If there are any **problems with exporting**, the master and the slave devices will light up **red**.
- 06) If the operation was **completed successfully**, the master and the slave devices will light up **green**.

6.5. DMX Error

With this menu, you can determine the device's behaviour in case of a DMX signal error.

- 01) While in SETTING menu, press the **UP/DOWN** buttons to choose DMX ERROR.
- 02) Press the **ENTER** button to open the menu.
- 03) Press the **UP/DOWN** buttons to toggle between the 2 options: BLACK and SAVE.
- 04) If you have chosen BLACK, the Performer will black the output out, in case of a DMX signal error.
- 05) If you have chosen SAVE, the Performer will fall back on the last working DMX signal, which will ensure uninterrupted performance.

6.6. Performance settings

With this menu, you can control the device's performance.

- 01) While in SETTING menu, press the **UP/DOWN** buttons to choose PERFORMANCE.
- 02) Press the **ENTER** button to open the menu.
- 03) Press the **UP** and **DOWN** buttons to toggle between the 3 modes:

LIVE	Default mode. It provides a compromise between output quality and noise level.
STUDIO	Noise level-oriented mode. It emits little noise and operates at moderate power level.
POWER	Output-oriented mode. The device does not offer any consideration for noise level and operates at full power.

6.7. PWM rate

With this menu you can set the PWM rate.

- 01) While in SETTING menu, press the **UP/DOWN** buttons to choose PWM.
- 02) Press the **ENTER** button to open the menu.
- 03) Press the **UP/DOWN** buttons to choose the desired PWM frequency. The available options are: 600 Hz, 1200 Hz, 2000 Hz, 2400 Hz, 6000 Hz, 25000 Hz.
- 04) The higher the PWM frequency, the lower the dimmer's grayscale.

6.8. Color temperature

With this menu you can set the color temperature.

- 01) While in SETTING menu, press the **UP/DOWN** buttons to choose FULL_POWER CCT.
- 02) Press the **ENTER** button to open the menu.
- 03) Press the **UP/DOWN** buttons to choose the desired color temperature. The available options are: 3200K, 4200K, 5600K, 10000K and NORMAL.

7. Safety lock

With this menu you can select whether the safety lock is active.

- 01) While in the main menu, press the **UP/DOWN** buttons to choose KEY.
- 02) Press the **ENTER** button to open the menu.
- 03) Press the **UP/DOWN** buttons to toggle between ON and OFF.
- 04) If you have chosen ON and when the display turns off after remaining idle for 25 seconds, you will need to insert the password in order to access the main menu (press the buttons in the following order: **UP,DOWN,UP,DOWN** and press the **ENTER** button to confirm).
- 05) If you have chosen OFF, the main menu will remain unlocked.

8. Calibration

With this menu, you can calibrate the device's colors.

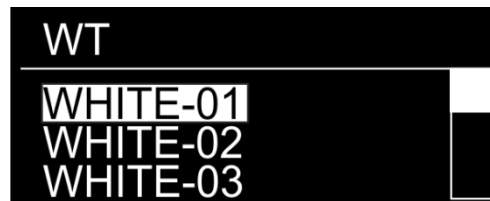
- 01) While in the main menu, press the **UP/DOWN** buttons to choose CALIB. C.
- 02) Press the **ENTER** button to open the menu.
- 03) Insert the **password** in order to access the menu. Press the buttons in the following order: **UP,DOWN,UP,DOWN** and press the **ENTER** button to confirm.



8.1. White color calibration

With this menu you can adjust the temperature of the built-in white color presets.

- 01) If you have chosen WHITE, press the **ENTER** button to open the menu.
- 02) Press the **UP/DOWN** buttons to choose one of the 13 white color presets: WHITE-01 – WHITE-13.
- 03) Once you have chosen the desired preset, press the **ENTER** button to open the submenu.
- 04) Press the **ENTER** button to toggle between RED, GREEN, BLUE, AMBER and LIME.
- 05) Press the **UP/DOWN** buttons to increase/decrease the intensity of the chosen color. The adjustment range of each color is between 0-255, from OFF to FULL ON.



9. Information

With this menu you can view the currently installed software version and RDM information.

- 01) While in the main menu, press the **UP/DOWN** buttons to choose INFO.
- 02) Press the **ENTER** button to open the menu.



- 03) If you have chosen VERSION, press the **ENTER** button again to access the submenu.
- 04) You can now view the currently installed software version.
- 05) If you have chosen RDM, press the **ENTER** button to access the submenu.
- 06) You can view the UID (device code) and LABEL (device name) in case of using RDM.

DMX Channels

8 channels (HSIC)

Channel 1 – Dimmer intensity

0-255 Gradual adjustment, from dark to brightest 0-100%

Channel 2 – Hue (CH1 must be set between 1-255 )

0-255 Gradual adjustment Hue, from 0-100%

Channel 3 – Hue Fine (CH1 must be set between 1-255 )

0-255 Gradual adjustment Hue Fine, from 0-100%

Channel 4 – Red color saturation (CH1 must be set between 1-255 )

0-255 Saturation adjustment, from 0-100%

Channel 5 – Color Macros (CH1 must be set between 1-255 )

0-10	No function
11-30	White 1: 2700K
31-50	White 2: 3000K
51-70	White 3: 3200K
71-90	White 4: 3500K
91-110	White 5: 4000K
111-130	White 6: 4200K
131-150	White 7: 4500K
151-170	White 8: 5600K
171-190	White 9: 6000K
191-210	White 10: 6500K
211-230	White 11: 7200K
231-255	White 12: 8000K

Channel 6 – Strobe

(CH1 and CH2, CH3 or CH4 must be set between 1-255 and CH5 between 11-255 )

0-9	No function
10-99	Strobe flash frequency, from slow to fast (0-25Hz)
100-109	No function
110-179	Pulse strobe, from slow to fast
180-189	No function
190-255	Random strobe, from slow to fast

Channel 7 – Dimmer speed

0-9	Preset dimmer speed from display menu
10-29	Linear dimmer
30-69	Non-linear dimmer 1 (fastest)
70-129	Non-linear dimmer 2
130-189	Non-linear dimmer 3
190-255	Non-linear dimmer 4 (slowest)

Channel 8 – Performance

0-9	No function
10-80	Live
81-160	Studio
161-240	Power
241-255	No function

8 channels (SIMPLE)**Channel 1 – Dimmer intensity**

0-255 Gradual adjustment, from dark to brightest 0-100%

Channel 2 – Red (CH1 must be set between 1-255 )

0-255 Gradual adjustment Red, from 0-100%

Channel 3 – Green (CH1 must be set between 1-255 )

0-255 Gradual adjustment Green, from 0-100%

Channel 4 – Blue (CH1 must be set between 1-255 )


0-255 Gradual adjustment Blue, from 0-100%

Channel 5 – Amber (CH1 must be set between 1-255 )

0-255 Gradual adjustment Amber, from 0-100%

Channel 6 – Lime (CH1 must be set between 1-255 )

0-255 Gradual adjustment Lime, from 0-100%

Channel 7 – Strobe (CH1 and CH2, CH3, CH4, CH5 or CH6 must be set between 1-255 )

0-9 No function

10-99 Strobe flash frequency, from slow to fast (0-25Hz)

100-109 No function

110-179 Pulse strobe, from slow to fast

180-189 No function

190-255 Random strobe, from slow to fast

Channel 8 – Performance

0-9 No function

10-80 Live

81-160 Studio

161-240 Power

241-255 No function

6 channels (SDO)**Channel 1 – Dimmer intensity**

0-255 Gradual adjustment, from dark to brightest 0-100%

Channel 2 – Preset colors (CH1 must be set between 1-255 )

0-10 No function

11-20 L106

21-30 R05

31-40 L194

41-50 R54

51-60 L019

61-70 R08

71-80 R89

81-90 R86

91-100 L213

101-110 R377

111-120 R80

121-130	L202
131-140	L328
141-150	R3314
151-160	L101
161-170	L768
171-255	No function

Channel 3 – Color Macros (CH1 must be set between 1-255 )

0-10	No function
11-30	White 1: 2700K
31-50	White 2: 3000K
51-70	White 3: 3200K
71-90	White 4: 3500K
91-110	White 5: 4000K
111-130	White 6: 4200K
131-150	White 7: 4500K
151-170	White 8: 5600K
171-190	White 9: 6000K
191-210	White 10: 6500K
211-230	White 11: 7200K
231-255	White 12: 8000K

Channel 4 – Strobe (CH1 must be set between 1-255 and CH2 between 11-170 or CH3 between 11-255

0-9	No function
10-99	Strobe flash frequency, from slow to fast (0-25Hz)
100-109	No function
110-179	Pulse strobe, from slow to fast
180-189	No function
190-255	Random strobe, from slow to fast

Channel 5 – Dimmer speed

0-9	Preset dimmer speed from display menu
10-29	Linear dimmer
30-69	Non-linear dimmer 1 (fastest)
70-129	Non-linear dimmer 2
130-189	Non-linear dimmer 3
190-255	Non-linear dimmer 4 (slowest)

Channel 6 – Performance

0-9	No function
10-80	Live
81-160	Studio
161-240	Power
241-255	No function

11 channels (COLOR 8BIT)

Channel 1 – Dimmer intensity

0-255 Gradual adjustment, from dark to brightest 0-100%

Channel 2 – Red (CH1 must be set between 1-255)

0-255 Gradual adjustment Red, from 0-100%

Channel 3 – Green (CH1 must be set between 1-255)

0-255 Gradual adjustment Green, from 0-100%

Channel 4 – Blue (CH1 must be set between 1-255)

0-255 Gradual adjustment Blue, from 0-100%

Channel 5 – Amber (CH1 must be set between 1-255)

0-255 Gradual adjustment Amber, from 0-100%

Channel 6 – Lime (CH1 must be set between 1-255)

0-255 Gradual adjustment Lime, from 0-100%

Channel 7 – Preset colors (CH1 must be set between 1-255)

0-10 No function

11-20 L106

21-30 R05

31-40 L194

41-50 R54

51-60 L019

61-70 R08

71-80 R89

81-90 R86

91-100 L213

101-110 R377

111-120 R80

121-130 L202

131-140 L328

141-150 R3314

151-160 L101

161-170 L768

171-255 No function

Channel 8 – Color Macros (CH1 must be set between 1-255)

0-10 No function

11-30 White 1: 2700K

31-50 White 2: 3000K

51-70 White 3: 3200K

71-90 White 4: 3500K

91-110 White 5: 4000K

111-130 White 6: 4200K

131-150 White 7: 4500K

151-170 White 8: 5600K

171-190 White 9: 6000K

191-210 White 10: 6500K

211-230 White 11: 7200K

231-255 White 12: 8000K

Channel 9 – Strobe (CH1 and CH2, CH3, CH4, CH5 or CH6 must be set between 1-255 and CH7 between 11-170 and CH8 between 11-255)

0-9	No function
10-99	Strobe flash frequency, from slow to fast (0-25Hz)
100-109	No function
110-179	Pulse strobe, from slow to fast
180-189	No function
190-255	Random strobe, from slow to fast

Channel 10 – Dimmer speed

0-9	Preset dimmer speed from display menu
10-29	Linear dimmer
30-69	Non-linear dimmer 1 (fastest)
70-129	Non-linear dimmer 2
130-189	Non-linear dimmer 3
190-255	Non-linear dimmer 4 (slowest)

Channel 11 – Performance

0-9	No function
10-80	Live
81-160	Studio
161-240	Power
241-255	No function

17 channels (COLOR 16BIT)

Channel 1 – Dimmer intensity

0-255	Gradual adjustment, from dark to brightest 0-100%
-------	---

Channel 2 – Fine dimmer

0-255	Fine dimmer adjustment, from dark to brightest 0-100%
-------	---

Channel 3 – Red (CH1 must be set between 1-255)

0-255	Gradual adjustment Red, from 0-100%
-------	-------------------------------------

Channel 4 – Fine Red (CH2 must be set between 1-255)

0-255	Fine adjustment Red, from 0-100%
-------	----------------------------------

Channel 5 – Green (CH1 must be set between 1-255)

0-255	Gradual adjustment Green, from 0-100%
-------	---------------------------------------

Channel 6 – Fine Green (CH2 must be set between 1-255)

0-255	Fine adjustment Green, from 0-100%
-------	------------------------------------

Channel 7 – Blue (CH1 must be set between 1-255)

0-255	Gradual adjustment Blue, from 0-100%
-------	--------------------------------------

Channel 8 – Fine Blue (CH2 must be set between 1-255)

0-255	Fine adjustment Blue, from 0-100%
-------	-----------------------------------

Channel 9 – Amber (CH1 must be set between 1-255)

0-255	Gradual adjustment Amber, from 0-100%
-------	---------------------------------------

Channel 10 – Fine Amber (CH2 must be set between 1-255)

0-255 Fine adjustment Amber, from 0-100%

Channel 11 – Lime (CH1 must be set between 1-255)

0-255 Gradual adjustment Lime, from 0-100%

Channel 12 – Fine Lime (CH2 must be set between 1-255)

0-255 Fine adjustment Lime, from 0-100%

Channel 13 – Preset colors (CH1 must be set between 1-255)

0-10 No function

11-20 L106

21-30 R05

31-40 L194

41-50 R54

51-60 L019

61-70 R08

71-80 R89

81-90 R86

91-100 L213

101-110 R377

111-120 R80

121-130 L202

131-140 L328

141-150 R3314

151-160 L101

161-170 L768

171-255 No function

Channel 14 – Color Macros (CH1 must be set between 1-255)

0-10 No function

11-30 White 1: 2700K

31-50 White 2: 3000K

51-70 White 3: 3200K

71-90 White 4: 3500K

91-110 White 5: 4000K

111-130 White 6: 4200K

131-150 White 7: 4500K

151-170 White 8: 5600K

171-190 White 9: 6000K

191-210 White 10: 6500K

211-230 White 11: 7200K

231-255 White 12: 8000K

Channel 15 – Strobe (CH1 and CH2, CH3, CH4, CH5, CH6, CH7, CH8, CH9, CH10, CH11 or CH12 must be set between 1-255 and CH13 between 11-170 or CH14 between 11-255)

0-9 No function

10-99 Strobe flash frequency, from slow to fast (0-25Hz)

100-109 No function

110-179 Pulse strobe, from slow to fast

180-189 No function

190-255 Random strobe, from slow to fast

Channel 16 – Dimmer speed

0-9	Preset dimmer speed from display menu
10-29	Linear dimmer
30-69	Non-linear dimmer 1 (fastest)
70-129	Non-linear dimmer 2
130-189	Non-linear dimmer 3
190-255	Non-linear dimmer 4 (slowest)

Channel 17 – Performance

0-9	No function
10-80	Live
81-160	Studio
161-240	Power
241-255	No function

Cleaning

Please follow the next recommendations when cleaning and inspecting lenses and reflectors:

Do not use glass or window type cleaners on lenses (glass or polymer) or reflectors.

Do not use abrasive materials such as steel wool.

Replace lenses if they contain visible damage (cracks or deep scratches) which that may impair their effectiveness.

Cleaning 19°, 26°, 36°, and 50° glass lenses

- 01) Remove the beam focus controls at the bottom of the barrel. Remove the lens tube from the barrel.
- 02) Dampen a clean lint-free cloth with vinegar or household ammonia. You may also use water, but it will leave spots that can be removed by gently polishing the lens with a clean and dry cloth.
- 03) Starting from the center, gently wipe the lens.
- 04) Slide the lens tube back into the barrel with the color frame-retaining clip on top. Replace the beam focus controls.

Cleaning the reflector



Unplug the fixture before attempting to clean the reflector. To quickly clean the reflector, remove the lens tube and clean the dust from the reflector with a blast of oil-free air. You may also wipe the reflector with a clean lint-free cloth. If either method is not sufficient, follow the instructions below. You will need a screwdriver to complete this procedure.



- 01) Remove the barrel rotation controls located at the bottom of the barrel. Use a screwdriver to remove the retainer bolt located on top of the reflector housing.
- 02) Rotate the barrel by 45° in either direction. Carefully remove the barrel from the reflector housing.
- 03) Dampen a clean lint-free cloth with alcohol or distilled water (alcohol is recommended).
- 04) Gently wipe the reflector.
- 05) Insert the barrel into the reflector housing with the iris/pattern slot on top (line up the triangles on both parts).
- 06) While pressing in gently, rotate the barrel by 45° clockwise until it sets into position. Then, rotate the barrel counterclockwise 45°. The barrel should be firmly attached and the triangles should line up again.
- 07) Replace the barrel rotation controls and tighten the retainer bolt.

Maintenance

The operator has to make sure that safety-related and machine-technical installations are to be inspected by an expert after every year in the course of an acceptance test.

The operator has to make sure that safety-related and machine-technical installations are to be inspected by a skilled person once a year.

The following points have to be considered during the inspection:

- 01) All screws used for installing the device or parts of the device have to be tightly connected and must not be corroded.
- 02) There may not be any deformations on housings, fixations and installation spots.
- 03) Mechanically moving parts like axles, eyes and others may not show any traces of wearing.
- 04) The electric power supply cables must not show any damages or material fatigue.

The Performer Profile 650 Q5 requires almost no maintenance. However, you should keep the unit clean. Otherwise, the fixture's light-output will be significantly reduced. Disconnect the mains power supply, and then wipe the cover with a damp cloth. Do not immerse in liquid. Wipe lens clean with glass cleaner and a soft cloth. Do not use alcohol or solvents.

The front lens will require weekly cleaning, as smoke-fluid tends to build up residues, reducing the light-output very quickly. Keep connections clean. Disconnect electric power, and then wipe the DMX and audio connections with a damp cloth. Make sure connections are thoroughly dry before linking equipment or supplying electric power.

Replacing the Fuse

Power surges, short-circuit or inappropriate electrical power supply may cause a fuse to burn out. If the fuse burns out, the product will not function whatsoever. If this happens, follow the directions below:

- 01) Unplug the unit from electric power source.
- 02) Insert a flat-head screwdriver into a slot in the fuse cover. Turn the screwdriver to the left, at the same time gently push a bit (Turn and Push). The fuse will come out.
- 03) Remove the used fuse. If brown or unclear, it is burned out.
- 04) Insert the replacement fuse into the holder where the old fuse was. Reinsert the fuse cover. Be sure to use a fuse of the same type and specification. See the product specification label for details.

Troubleshooting

This troubleshooting guide is meant to help solve simple problems.

If a problem occurs, carry out the steps below in sequence until a solution is found. Once the unit operates properly, do not carry out following steps.

No Light

If the light effect does not operate properly, refer servicing to a technician.

Response: Suspect three potential problem areas as: the power supply, the LEDs, the fuse.

- 01) Power supply. Check if the unit is plugged into an appropriate power supply.
- 02) The LEDs. Return the Performer to your Showtec dealer.
- 03) The fuse. Replace the fuse. See page 33 for replacing the fuse.
- 04) If all of the above appears to be O.K., plug the unit in again.
- 05) If you are unable to determine the cause of the problem, do not open the Performer, as this may damage the unit and the warranty will become void.
- 06) Return the device to your Showtec dealer.

No Response to DMX

Response: Suspect the DMX cable or connectors, a controller malfunction, a light effect DMX card malfunction.

- 01) Check the DMX setting. Make sure that DMX addresses are correct.
- 02) Check the DMX cable: Unplug the unit; change the DMX cable; then reconnect to electrical power. Try your DMX control again.
- 03) Determine whether the controller or light effect is at fault. Does the controller operate properly with other DMX products? If not, take the controller in for repair. If so, take the DMX cable and the light effect to a qualified technician.

Problem	Probable cause(s)	Solution
One or more fixtures do not function at all	No power to the fixture	<ul style="list-style-type: none"> • Check if power is switched on and cables are plugged in
	Primary fuse blown	<ul style="list-style-type: none"> • Replace fuse
Fixtures reset correctly, but all respond erratically or not at all to the controller	The controller is not connected.	<ul style="list-style-type: none"> • Connect controller.
	3-pin XLR Out of the controller does not match XLR Out of the first fixture on the link (i.e. signal is reversed)	<ul style="list-style-type: none"> • Install a phase reversing cable between the controller and the first fixture on the link
Fixtures reset correctly, but some respond erratically or not at all to the controller	Poor data quality	<ul style="list-style-type: none"> • Check data quality. If much lower than 100 percent, the problem may be a bad data link connection, poor quality or broken cables, missing termination plug, or a defective fixture disturbing the link
	Bad data link connection	<ul style="list-style-type: none"> • Inspect connections and cables. Correct poor connections. Repair or replace damaged cables
	Data link not terminated with 120 Ohm termination plug	<ul style="list-style-type: none"> • Insert termination plug in output jack of the last fixture on the link
	Incorrect addressing of the fixtures	<ul style="list-style-type: none"> • Check address setting
	One of the fixtures is defective and disturbs data transmission on the link	<ul style="list-style-type: none"> • Bypass one fixture at a time until normal operation is restored: unplug both connectors and connect them directly together. • Have the defective fixture serviced by a qualified technician
	3-pin XLR Out on the fixtures does not match (pins 2 and 3 reversed)	<ul style="list-style-type: none"> • Install a phase-reversing cable between the fixtures or swap pin 2 and 3 in the fixture that behaves erratically
Shutter closes suddenly	The color wheel, gobo wheel or a gobo has lost its index position and the fixture is resetting the effect	<ul style="list-style-type: none"> • Contact a technician for servicing if the problem persists
No light or LEDS cuts out intermittently	Fixture is too hot	<ul style="list-style-type: none"> • Allow the fixture to cool down • Clean the fan • Make sure air vents in control panel and the front lens are not blocked • Turn up the air conditioning
	LEDs damaged	<ul style="list-style-type: none"> • Disconnect the fixture and return it to your dealer
	The power supply settings do not match local AC voltage and frequency	<ul style="list-style-type: none"> • Disconnect fixture. Check settings and correct if necessary

Product Specifications

Model:	Showtec Performer Profile 650 Q5
Input Voltage:	100-240 VAC, 50/60Hz
Power consumption:	300W (full output)
DMX linking:	30pcs
Power linking @120V:	3 units
Power linking @230V:	6 units
Fuse:	T6,3AL/250V
Dimensions:	540 x 305 x 520 mm (LxWxH) (incl. bracket)
Weight:	8,2 kg
Operating and Programming:	
Signal pin OUT:	Pin 1 (earth), pin 2 (-), pin 3 (+)
DMX Mode:	6, 8, 8, 11 or 17 channels
Signal input:	3-pin/5-pin XLR male
Signal output:	3-pin/5-pin XLR female
Electro-mechanical effects:	
Light Source:	1 x 240W LED Array 5-in-1
Beam angle:	15°-50°, depending on applied lens
Focus:	Manual
Dimmer:	0-100%
Dim Curve:	Dimm4 technology, 4 presets
Strobe:	0-25Hz
Output:	60800 Lux@1m (26° lens)
Drive current:	1,5A
Refresh Rate:	1200Hz
Housing:	Die-cast aluminum
DMX-control:	via standard DMX-controller
On Board:	LED display for easy setup
Control:	DMX, Auto program, Static mode, Master/Slave
Connections:	3- and 5-pin XLR signal connectors IN/OUT, Neutrik Powercon power connectors IN/OUT
IP Rating:	IP20
Cooling:	Silent fan
Max. ambient temperature t_a :	40°C
Max. housing temperature t_B :	80°C
Minimum distance:	
Minimum distance from flammable surfaces:	0,5 m
Minimum distance to lighted object:	1 m

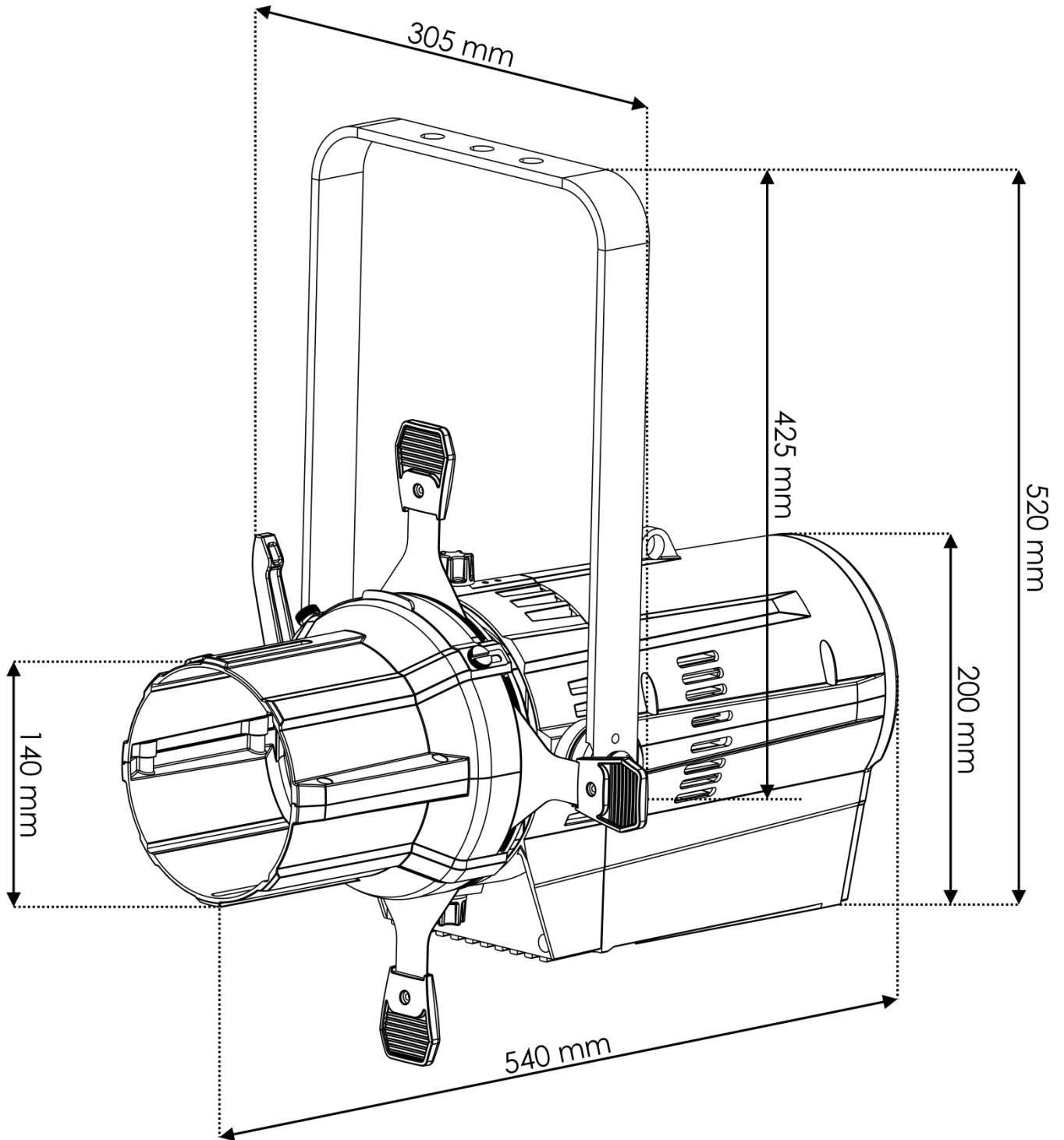
Design and product specifications are subject to change without prior notice.



Website: www.Showtec.info

Email: service@highlite.nl

Dimensions





©2017 Showtec