

Saramonic®



DIRECTIONAL CONDENSER MICROPHONE

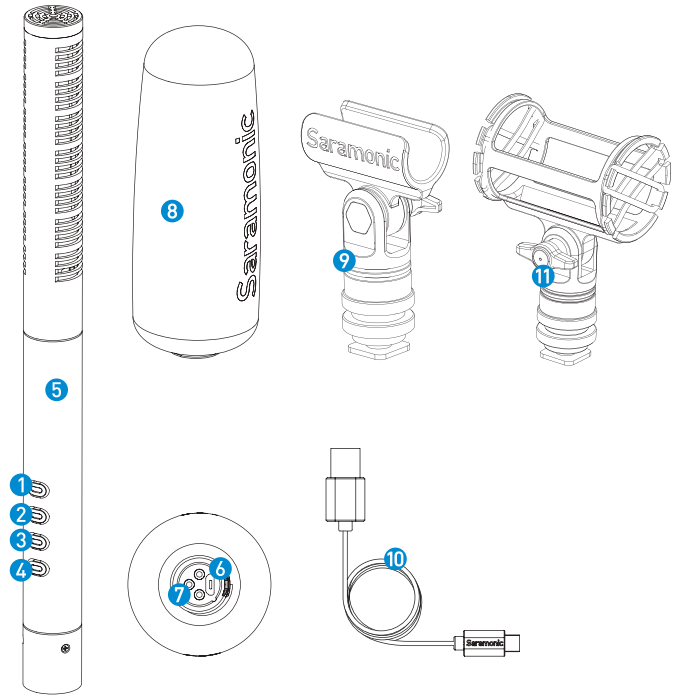
The Saramonic SoundBird T3 is directional shotgun microphone features a cardioid polar pattern, built-in rechargeable battery, 150 Hz low cut switch, +6 dB high frequency boost, -10 dB PAD and power button.

SoundBird T3

1 Introduction

The SoundBird T3 from Saramonic is a professional shotgun microphone that delivers broadcast-quality sound for ENG, filmmaking, field recording, sound design, and broadcast applications.

2 Product Structure



- 1 150 Hz high pass filter button
- 2 +6 dB high frequency boost
- 3 -10 dB PAD
- 4 Power button
- 5 Built-in Li-ion battery
- 6 Micro USB input

- 7 XLR output
- 8 Foam windshield
- 9 Mic Mounting Bracket Clip
- 10 MicroUSB cable
- 11 Shock Mount

3 Power Supply

The SoundBird T3 can be powered either via the built-in lithium battery or, 48V phantom power supplied by your camera, recording device or mixer (such as the Saramonic SR-PAX1, SR-PAX2 or SR-AX107). When phantom power is applied, the built-in lithium battery is no used or charged.

Power	by Built-In Battery	by 48V Phantom Power	Low Power
Power Indicator	Blue Light	Green Light	Red Light

4 Charge

Connect the SoundBird T3 with the provided USB cable to a travel adapter to USB power, a computer (slower charging speed) or any other USB port which provides standard 5 volts. It will automatically start charging and all the 5 buttons will flash blue in cycles. If charged by 1A power source, it takes around 2 hours to be fully charged; If charged by 2A power, around 1 hour before fully charged.

When the SoundBird T3 has been fully charged, the 5 buttons will stay blue. Pull out the cable and long press the power button to restart, now the SoundBird T3 is ready to use.

5 Highlights

- **-10 dB Pad**

Attenuates the microphone input to allow for the recording of loud sounds without clipping.

- **150 Hz High Pass Filter**

Reduces low frequency and infrasonic rumble from HVAC systems indoors or street traffic outdoors from over-powering the recording.

- **High Frequency Boost**

Restores some of the high frequency content that is often lost when a blimp or furry windshield is placed over the microphone and improves the intelligibility of recorded speech.

- **Rechargeable Built-in Li-ion Battery**

The built-in battery supports at least 150 hours operation.

- **Solid Brass Construction**

Prevents radio frequency interference for clean sound

- **Gold-Plated XLR Connector**

Resists corrosion and ensures excellent signal transfer

- **Battery Indicator**

If you would like to check the battery level during recording, double press the Power button, the 4 indicators will show the remaining battery capacity. If 4 indicators are all blue, the battery is full.

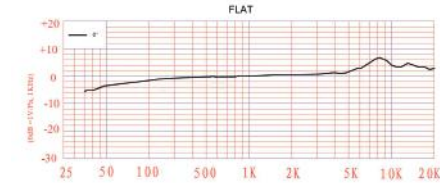
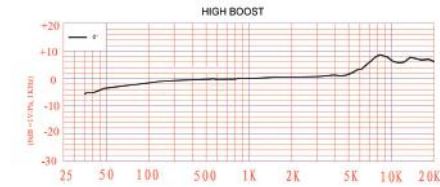
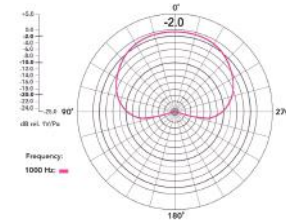
- Supplied with foam windshield, mic clip and shock mount, XLR Cable and MicroUSB charging cable

6 Specifications

Directional Pattern	Cardioid
Frequency Range	75 to 20k Hz (selectable HPF 150 Hz)
Sensitivity	-38 ± 3dB(0dB=1V/Pa,at 1kHz 1.5V 2.2K)
Output Impedance	150ohm
Dynamic Range	125 dB (per IEC651)
Maximum SPL	f=1KHzTHD, 1% 105 dB
Signal to Noise Ratio	80 dB SPL (per IEC651)
high pass filter button	150 Hz

high frequency boost	+6 dB
PAD	-10 dB
Material	Brass
Output Connection	3-pin XLR, balanced output between Pin 2 (+), Pin 3 (-) and Pin 1 (ground)
Power	48V phantom power; built-in lithium battery (battery life:150 hours)
Dimension	2.2 x 2.2 x 28.2 cm
Weight	240.5g (8.48oz)

Polar Pattern



7 Packing List

- SoundBird T3 microphone
- XLR output cable
- Micro USB cable for charging
- Foam windshield
- Mic Clip SR-SMC1
- Boompole/Mic Stand Shock Mount SR-SMC3

JIAYZ 长丰 | 深圳市长丰影像器材有限公司

产品/零件名称	Soundbird T3 说明书	比例	1:1	版本	VO2
工程图号	Soundbird T3 说明书	物料描述	157 克哑粉		
物料编号	1F0300400078	尺寸/用量	210x220mm	1PCS	
制图人/日期	贺磊 / 2019.4.22	审核/日期			