

# Saramonic

Sound.Remarkable. 

Ultracompact 2.4 GHz Dual-Channel  
Wireless Microphone

2.4GHz 迷你双通道无线麦克风系统

**Blink500 Pro**

User Manual  
用户手册

## General Introduction

The Saramonic Blink500 Pro is an incredibly lightweight, ultracompact and easy-to-use 2-person wireless microphone system, and delivers an exceptional, broadcast-quality sound for DSLR, Mirrorless and Video cameras, mobile devices, and much more.

The supplied charging case allows you to charge devices anywhere needed. They deliver 8 hours of recording time on a single charge, the case can be recharged via Type-C DC 5v port.

3.5mm headphone output, selectable M/S switch, quick-charging, OLED display features make the Blink500 Pro meets various recording demands.

The system series is comprised of three different receivers. The RX receiver has a 3.5mm output and includes TRS and TRRS output cables, allowing it to work with any device with a 3.5mm audio input. The RXDi receiver has a MFi Certified Lightning output and is designed for Apple iOS devices. And the RXUC receiver has a USB-C output and is designed for devices with a USB-C port, including Android smartphones and tablets.

The clip-on transmitter has a great sounding built-in mic and it is small and light enough to clip to shirts and clothing, or you can use it as a traditional beltpack transmitter with the included SR-M1 professional lavalier microphone.

No technical knowledge of audio is required to operate. The Blink500 Pro system operates on the interference-free 2.4GHz spectrum and automatically hops to free channels to avoid static noise and audio dropouts.

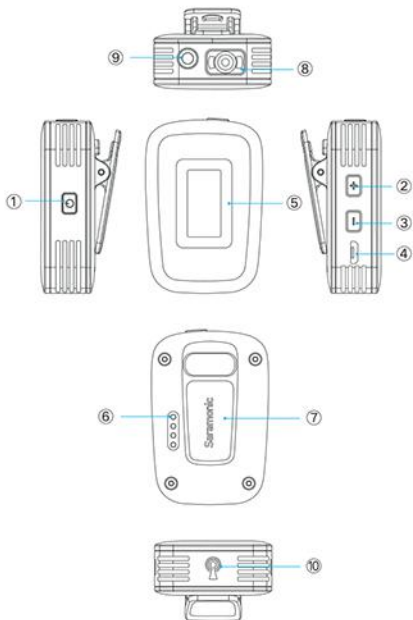
**Available Series:**

<b>Model</b>	<b>In the box</b>
Blink500 Pro B1(TX+RX)	1×Blink500 Pro RX 1×Blink500 Pro TX
Blink500 Pro B1W(TX+RX)	1×Blink500 Pro RXW 1×Blink500 Pro TXW
Blink500 Pro B2(TX+TX+RX)	1×Blink500 Pro RX 2×Blink500 Pro TX
Blink500 Pro B2W(TX+TX+RX)	1×Blink500 Pro RXW 2×Blink500 Pro TXW
Blink500 Pro B3(TX+RXDi)	1×Blink500 Pro RXDi 1×Blink500 Pro TX
Blink500 Pro B4(TX+TX+RXDi)	1×Blink500 Pro RXDi 2× Blink500 Pro TX
Blink500 Pro B5(TX+RXUC)	1×Blink500 Pro RXUC 1×Blink500 Pro TX
Blink500 Pro B6(TX+TX+RXUC)	1×Blink500 Pro RXUC 2×Blink500 Pro TX

*Note: If using an Android phone, please set the "OTG Connection" to "ON." The OTG connection menu is usually in the "Additional Settings" in your phone setting menu.*

## Product Structure

### 1. Blink500 Pro TX: Body-pack Transmitter with OLED Display and Microphone



#### ① Power/Mute Button

Function	Operation
Power ON	Press button for 3 second or longer
Power OFF	Press button until it turns off
Mute ON	Short press button
Mute OFF	

#### ② +/SET Button

Function	Operation
+	Short press the SET button to select functions or values shown on the display.
SET	Long press the SET button to enter the displayed menu. Then, long press the SET button again to confirm your option.

#### ③ - Button

Short press the button to select functions or values shown on the display.

#### ④ Micro USB Charging Port (DC 5V)

#### ⑤ OLED Display

Display menus, please refer to "OLED Display Operation Guide" for more details.

#### ⑥ Charging & Pairing Contacts

#### ⑦ Belt Clip

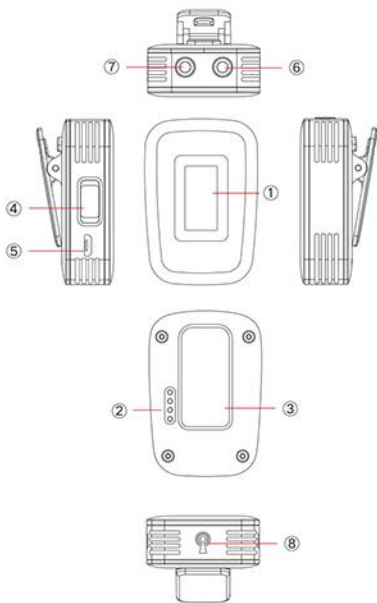
#### ⑧ Built-in Microphone

#### ⑨ MIC/LINE IN Jack

It can be connected to the 3.5mm lavalier microphone or line-in devices.

#### ⑩ Antenna

## 2. Blink500 Pro RX: Clip-On and Shoe-Mountable Receiver



### ① OLED Display

Display menus, please refer to "OLED Display Operation Guide" for more details.

### ② Charging & Pairing Contacts

### ③ Belt Clip with a Standard Cold Shoe Mount

### ④ M/S Switch

The output mode can be set to mono or stereo. When the output mode is in mono, the audio from the left and right channel will be mixed. When in stereo, transmitters' audio output will be separated to the left and right of the stereo

output.

### ⑤ Micro USB Charging Port (DC 5V)

### ⑥ LINE OUT Jack

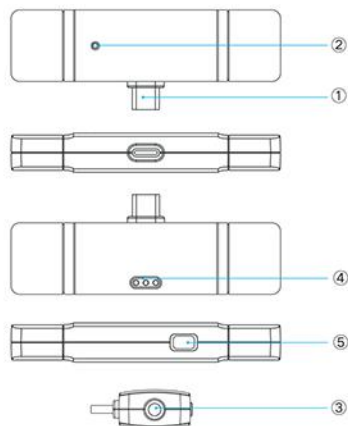
Connect the Blink500 Pro RX to a DLSR camera, smartphone with a 3.5mm headphone jack, mixer or amplifier with the supplied output cable.

### ⑦ 3.5mm Headphone Output

Connect a headphone to monitor the audio output.

### ⑧ Antenna

### 3. Blink500 Pro RXUC: USB-C Receiver



#### ① USB-C Connector

#### ② Pairing Indicator

Note: Please make sure the receiver has fully plugged into your smartphone, if you want to check indicator status.

Mode	Indicator Status
Unpaired	Flashing Blue Light
Paired Successfully	Solid Blue Light

#### ③ 3.5mm Headphone Output

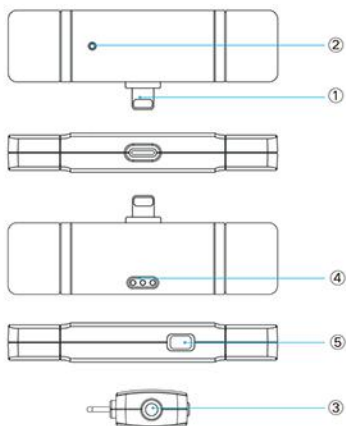
Connect a headphone to monitor the audio output.

#### ④ Pairing Contacts

#### ⑤ M/S Switch

The output mode can be set to mono or stereo. When the output mode is in mono, the audio from the left and right channel will be mixed. When in stereo, transmitters' audio output will be separated to the left and right of the stereo output.

### 4. Blink500 Pro RXDi: Lightning Receiver



#### ① MFi Certified Apple Lightning Connector

#### ② Pairing Indicator

Note: Please make sure the receiver has fully plugged into your smartphone, if you want to check indicator status.

Mode	Indicator Status
Unpaired	Flashing Blue Light
Paired Successfully	Solid Blue Light

#### ③ 3.5mm Headphone Output

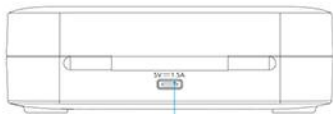
Connect a headphone to monitor the audio output.

#### ④ Pairing Contacts

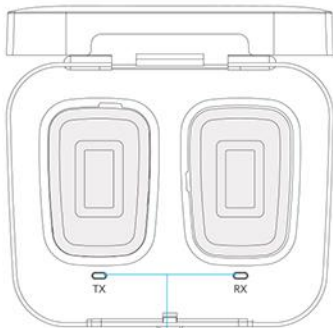
#### ⑤ M/S Switch

The output mode can be set to mono or stereo. When the output mode is in mono, the audio from the left and right channel will be mixed. When in stereo, transmitters' audio output will be separated to the left and right of the stereo output.

## 5. Charging Box



⑤



①



②

③

④

### ① TX & RX Charging Indicator

Charging =Solid Red

Fully Charged=Lights Off

## ② Power Capacity Indicator

Indicator	Status
	Charging (Flashing blue light in circle)
	Current Box's Battery Level
	Low Battery
	Case closed

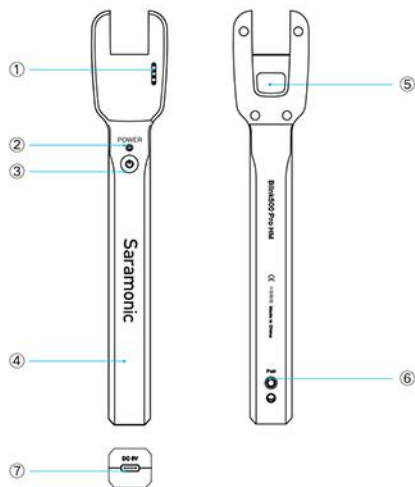
## ③ OPEN Button

### ④ Pair Button

Long press the Pair button for 3 seconds to enter pairing mode. For details on setting the level, please see "Operational Guide".

## ⑤ USB-C Charging Port (DC 5V)

## 6. Blink500 Pro HM Handheld Microphone Holder for Blink500 Pro

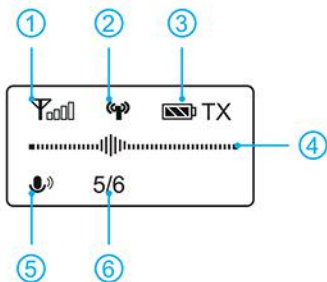


- 1 Charging Contacts
- 2 Power Indicator
- 3 Power Button
- 4 Handheld Holder
- 5 Belt-clip Slot
- 6 Pair Button
- 7 USB-C Charging Port

**Note:** The Blink500 Pro package is not include this microphone holder. It's a perfect handhold solution for interviews when using Blink500 Pro transmitter.

## OLED Display Operation Guide

### OLED Display Introduction (Transmitter)



### Home screen

If no operation is performed for 20 seconds on the other screens, the display will automatically return to the home screen.

- 1 RF level indicator
- 2 Pairing indicator



Paired Successfully



Disconnected

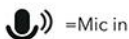
For details on setting the level, please see "Operatiol Guide" (page 14).

- 3 TX's battery level indicator  
Displays the TX battery level. Please recharge the device immediately when the indicator starts flashing.
- 4 Audio input level meter  
Displays the audio input level

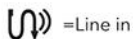


## ⑤ Input mode

The input mode can be selected to Mic in or Line in. When the input mode is Mic in mode, the receiver can be connected to the 3.5mm lavalier microphone. When the input mode is Line in mode, the receiver can be connected to the line-in devices. System default is "Mic in".



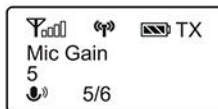
=Mic in



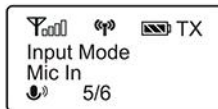
=Line in

## ⑥ MIC GAIN

The transmitter's gain level can be set from 00 to 06. Default is "05"

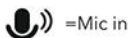


**MIC GAIN.** Adjust the microphone's gain value as request (0-6). Default is "5".

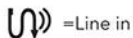


### Input mode.

The input mode can be selected to Mic in or Line in. When the input mode is Mic in mode, the transmitter can be connected to the 3.5mm lavalier microphone. When the input mode is Line in mode, the transmitter can be connected to the line-in devices. System default is "Mic in".



=Mic in



=Line in

## Mute ON



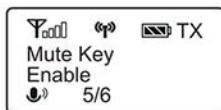
=Mic in (Mute ON)



=Line in (Mute ON)



**Set Backlight.** Select On or Delay 10 / 30 /60 seconds. Default is "On."

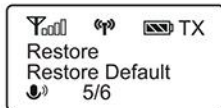


**Set Mute key.** When in muting mode, please select "Enable". Default is "Enable".

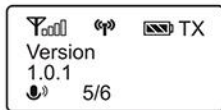


### Language Setting.

English/ 简体中文 (Chinese) are available. Default is English.

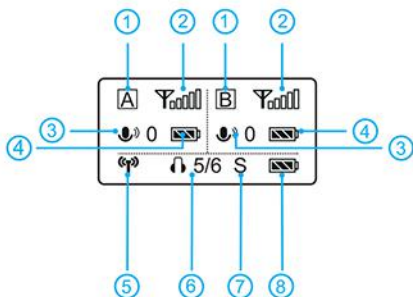


**Restore default setting.**



**Version of the Blink500 Pro TX.**


## OLED Display Introduction (Receiver)




### Home screen

If no operation is performed for 20 seconds on the other screens, the display will automatically return to the home screen.


#### ① Group icon

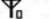
 Indicates the power of group A is turned off.

 Indicates the power of group A is turned on.

#### ② RF level indicator

Indicates the current signal level.

 Signal is strong (Paired successfully)

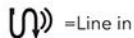
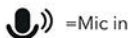
 Signal is weak (Paired successfully)

 Unpaired status

#### ③ TX's input mode & gain

The input mode can be selected to Mic in or Line in. When the input mode is Mic in mode, the receiver can be connected to the 3.5mm lavalier microphone. When the input mode is Line in mode, the receiver can be connected to the line-in devices. System default is "Mic in".

**MIC GAIN:** The transmitter's gain level can be set from 00 to 06. Default is "05"



## Mute ON



=Mic in (Mute ON)



=Line in (Mute ON)

#### ④ TX's battery level indicator

Displays the TX battery level. Please recharge the device immediately when the indicator starts flashing.

#### ⑤ Pairing indicator



Paired Successfully



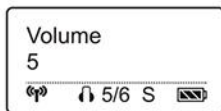
Disconnected

#### ⑥ Headphone volume

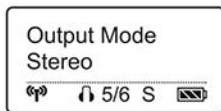
#### ⑦ RX's output mode

#### ⑧ RX's battery level indicator

Displays the RX battery level. Please recharge the device immediately when the indicator starts flashing.

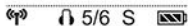


**Headphone volume.** The headphone monitoring volume can be set from 00 to 06. Default is "05".



**Output mode.** The output mode can be set to mono or stereo. When the output mode is in mono, the audio from the left and right channel will be mixed. When in stereo, if using two transmitters, please make sure switch of the icon of group A and B are ON. System default is mono.

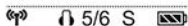
Backlight Mode  
On



**Set backlight.**

Set the background LED light to ON or Delay by 60, 30, or 10 seconds. Default setting is "Delay 30s."

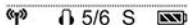
Mute Key  
Enable



**Set Mute key.**

When in muting mode, please select "Enable".  
Default is "Enable".

Language  
English



**Language Setting.**

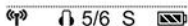
English/ 简体中文 (Chinese) are available. Default is English.

Restore  
Restore Default



Restore default setting.

Version  
1.1.2



Version of the Blink500 Pro RX.

## Operation Guide

### For the Blink500 Pro B1/B2 kit

1. Turn on the transmitter TX by long pressing the power key.
2. Turn on the receiver RX by long pressing the power key.

**Before leaving factory, the device have been paired successfully. If they are disconnected or unpaired, please follow below steps:**

- 1) Press hard the pairing button of charging box.
- 2) The kit will be paired when the pair indicator of OLED display of TX should be indicate RX battery level, and the pairing indicator should be shown "Ⓟ".
3. Connect the receiver RX to the mic jack of a camera, camcorder, recorder or mixer with the supplied 3.5mm TRS audio cable. Or connect the RX to a smartphone or tablet with the supplied 3.5mm TRS to TRRS audio cable.
4. You are ready to record.

**Note: The output of receiver RX is line out. You can connect it to speaker system. To avoid noise during connection, before connecting the receiver to a speaker system, please mute the speaker system and do not use the headphones.**

### For the Blink500 Pro B3/B4/B5/B6 kit

1. Turn on the transmitter by long pressing the power key.
- Before leaving factory, the device have been paired successfully. If they are disconnected or unpaired, please follow below steps:**
  - 1) Press hard the pairing button of charging box.
  - 2) The kit will be paired when the pair indicator of OLED display of TX should be indicate RX battery level, and the pairing indicator should be shown "Ⓟ".
  3. Plug the RXDi into an iOS device or the RXUC into an USB Type-C device. Please make sure the antenna (yellow side) is oriented on the top of the device, when in landscape mode, to get the best signal.
  4. You are ready to record.

## Specification

### Blink500 Pro RXUC

Transmission Type	2.4GHz Digital Frequency
Modulation	GFSK
Operating Range	Up to 328' (100m)
Audio Output Connector	USB-C Connector
Power Requirements	Supplied by USB-C Devices
Other functions	3.5mm headphone jack, M/S switch
Antenna	PIFA Antenna
Weight	Approx. 10.5g (0.37oz)
Dimensions	31×82×12mm
Operating Temperature	0°C to 50°C
Storage Temperature	-20°C to +55°C

### Blink500 Pro RXDi

Transmission Type	2.4GHz Digital Frequency
Modulation	GFSK
Operating Range	Up to 328' (100m)
Audio Output Connector	MFi Certified Lightning connector
Power Requirements	Supplied by iOS Devices
Other functions	3.5mm headphone jack, M/S switch
Antenna	PIFA Antenna
Weight	Approx. 10.5g (0.37oz)
Dimensions	31×82×12mm
Operating Temperature	0°C to 50°C
Storage Temperature	-20°C to +55°C

**Blink500 Pro RX/RXW**

Transmission Type	2.4GHz Digital Frequency
Modulation	GFSK
Operating Range	Up to 328' (100m)
Audio Output Connector	3.5 mm Jack
Audio Output level	-60dBV to -20dBV
Power Requirements	Built-in Li-ion Battery or Micro USB DC 5V or Charging Contact
Other functions	3.5mm headphone jack, M/S switch, mute function
Built-In Battery Life	Approx. 8 hours
Antenna	PIFA Antenna
Weight	Approx. 32g (1.13oz)
Dimensions	56×38×29.4mm
Operating Temperature	0°C to 50°C
Storage Temperature	-20°C to +55°C

**Blink500 Pro BOX Charging Case**

Power Requirements	Powered by USB-C port (5V/1.5A)
Power Capacity	2000mAh (B2/B2W/B4/B6) 1200mAh (B1/B1W/B3/B5)
Box's Charging Time	B1/B1W/B3/B5: 3 hours B2/B2W/B4/B6: 4 hours
Weight	B1/B1W/B3/B5: 200g (7.05 oz) B2/B2W/B4/B6: 268g (9.45 oz)
Dimensions	B1/B1W/B3/B5: 123x102×39.7mm B2/B2W/B4/B6: 165.8×102.9×39.7mm
Operating Temperature	0°C to 50°C
Storage Temperature	-20°C to +55°C

**Blink500 Pro TX/TXW**

Transmission Type	2.4GHz Digital Frequency
Modulation	GFSK
Operating Range	Up to 328' (100m)
RF Output Power	10mW
Polar Pattern	Omnidirectional
Frequency Response	50Hz-18KHz

Maximum SPL	Built-In Microphone:120dB SPL Lavalier Microphone: 110dB SPL
Sensitivity	Built-In Microphone: -39dB Lavalier Microphone: -39dB
SNR	> 78dB
Reference audio input level	-30~-42dBV MIC input,0 dB attenuation)
Power Requirements	Built-in Li-ion Battery or Micro USB DC 5V or Charging Contact
Other Functions	3.5mm headphone jack, mute function High-contrast OLED Display
Built-In Battery Life	Approx. 8 hours
Antenna	PIFA Antenna
Audio Inputs	3.5mm TRS Lavalier Mic/ Line-in Input or Built-in Microphone
Weight	Approx. 32g (1.13oz)
Dimensions	56.5×38×26.1mm
Operating Temperature	0°C to 50°C
Storage Temperature	-20°C to +55°C

**Blink500 Pro HM**

Power Requirements	Powered by USB-C port (5V)
Power Capacity	Built-in Li-ion Battery 1100mAh
Box's Charging Time	Approx. 3 hours
Weight	68.5g (2.4 oz)
Dimensions	206.7x38.1x25.2mm

## Packing List

### **Blink500 Pro B1(1×Blink500 Pro RX+1×Blink500 Pro TX)**

- 1× Blink500 Pro RX Receiver with Built-In Clip and Camera Shoe-Mount (Integrated with OLED Display)
- 1× Blink500 Pro TX Transmitter with OLED Display and Built-In Microphone
- 1× Blink500 Pro B1 BOX Charging Case
- 1× Zipper Bag
- 1× 1' (30.5 cm) Gold-Plated 3.5mm TRS to TRS Output Cable for Cameras
- 1× 1' (30.5 cm) Gold-Plated 3.5mm TRS to TRRS Output Cable for Smartphones and Tablets
- 1× 1' (30.5 cm) Gold-Plated USB-C to USB-A Charging Cable
- 1× 1' (30.5 cm) Gold-Plated Micro USB to USB-A Charging Cable
- 1× SR-M1 Omnidirectional Lavalier Microphone
- 1× Alligator-Style Lavalier Microphone Clip
- 1× Foam Lavalier Windscreen
- 1× Warranty Card
- 1× User Manual

### **Blink500 Pro B2(1×Blink500 Pro RX+2×Blink500 Pro TX)**

- 1× Blink500 Pro RX Receiver with Built-In Clip and Camera Shoe-Mount
- 2× Blink500 Pro TX Transmitter with OLED Display and Built-In Microphone
- 1× Blink500 Pro B2 BOX Charging Case
- 1× Zipper Bag
- 1× 1' (30.5 cm) Gold-Plated 3.5mm TRS to TRS Output Cable for Cameras
- 1× 1' (30.5 cm) Gold-Plated 3.5mm TRS to TRRS Output Cable for Smartphones and Tablets
- 1× 1' (30.5 cm) Gold-Plated USB-C to USB-A Charging Cable
- 1× 1' (30.5 cm) Gold-Plated Micro USB to USB-A Charging Cable
- 2× SR-M1 Omnidirectional Lavalier Microphone
- 2× Alligator-Style Lavalier Microphone Clip
- 2× Foam Lavalier Windscreen
- 1× Warranty Card

1× User Manual

### **Blink500 Pro B3(1×Blink500 Pro RXDi +1×Blink500 Pro TX)**

- 1× Blink500 Pro RXDi Receiver with MFi Certified Apple Lightning Connector
- 1× Blink500 Pro TX Transmitter with OLED Display and Built-In Microphone
- 1× Blink500 Pro B3 BOX Charging Case
- 1× Zipper Bag
- 1× 1' (30.5 cm) Gold-Plated USB-C to USB-A Charging Cable
- 1× 1' (30.5 cm) Gold-Plated Micro USB to USB-A Charging Cable
- 1× SR-M1 Omnidirectional Lavalier Microphone
- 1× Alligator-Style Lavalier Microphone Clip
- 1× Foam Lavalier Windscreen
- 1× Warranty Card
- 1× User Manual

### **Blink500 Pro B4(1×Blink500 Pro RXDi +2×Blink500 Pro TX)**

- 1× Blink500 Pro RXDi Receiver with MFi Certified Apple Lightning Connector
- 2× Blink500 Pro TX Transmitter with OLED Display and Built-In Microphone
- 1× Blink500 Pro B4 BOX Charging Case
- 1× Zipper Bag
- 1× 1' (30.5 cm) Gold-Plated USB-C to USB-A Charging Cable
- 1× 1' (30.5 cm) Gold-Plated Micro USB to USB-A Charging Cable
- 2× SR-M1 Omnidirectional Lavalier Microphone
- 2× Alligator-Style Lavalier Microphone Clip
- 2× Foam Lavalier Windscreen
- 1× Warranty Card
- 1× User Manual

### **Blink500 Pro B5(1×Blink500 Pro RXUC+ 1×Blink500 Pro TX)**

- 1× Blink500 Pro RXUC Receiver with USB-C Connector
- 1× Blink500 Pro TX Transmitter with OLED Display and Built-In Microphone
- 1× Blink500 Pro B5 BOX Charging Case



1 × Zipper Bag  
1 × 1' (30.5 cm) Gold-Plated USB-C to USB-A  
Charging Cable  
1 × 1' (30.5 cm) Gold-Plated Micro USB to USB-A  
Charging Cable  
1 × SR-M1 Omnidirectional Lavalier Microphone  
1 × Alligator-Style Lavalier Microphone Clip  
1 × Foam Lavalier Windscreen  
1 × Warranty Card  
1 × User Manual

**Blink500 Pro B6(1×Blink500 Pro RXUC+**

**2×Blink500 Pro TX)**

2 × Blink500 Pro RXUC Receiver with USB-C  
Connector  
1 × Blink500 Pro TX Transmitter with OLED  
Display and Built-In Microphone  
1 × Blink500 Pro B6 BOX Charging Case  
1 × Zipper Bag  
1 × 1' (30.5 cm) Gold-Plated USB-C to USB-A  
Charging Cable  
1 × 1' (30.5 cm) Gold-Plated Micro USB to USB-A  
Charging Cable  
2 × SR-M1 Omnidirectional Lavalier Microphone  
2 × Alligator-Style Lavalier Microphone Clip  
2 × Foam Lavalier Windscreen  
1 × Warranty Card

**Blink500 Pro B1W(1×Blink500 Pro**

**RXW+1×Blink500 Pro TXW)**

1 × Blink500 Pro RXW Receiver with Built-In Clip  
and Camera Shoe-Mount  
1 × Blink500 Pro TXW Transmitter with OLED  
Display and Built-In Microphone  
1 × Blink500 Pro B1W BOX Charging Case  
1 × Zipper Bag  
1 × 1' (30.5 cm) Gold-Plated 3.5mm TRS to TRS  
Output Cable for Cameras  
1 × 1' (30.5 cm) Gold-Plated 3.5mm TRS to TRRS  
Output Cable for Smartphones and Tablets  
1 × 1' (30.5 cm) Gold-Plated USB-C to USB-A  
Charging Cable

1 × 1' (30.5 cm) Gold-Plated Micro USB to USB-A  
Charging Cable  
1 × SR-M1W Omnidirectional Lavalier Microphone  
1 × Alligator-Style Lavalier Microphone Clip  
1 × Foam Lavalier Windscreen  
1 × Warranty Card  
1 × User Manual  
1 × User Manual  
Blink500 Pro

**Blink500 Pro HM**

1 × Handheld Microphone Holder  
1 × USB-C Charging Cable  
1 × Foam Windscreen