

BBP60 Uplighter

Ref. nr.: 150.587



INSTRUCTION MANUAL
GEBRUIKSAANWIJZING
BEDIENUNGSANLEITUNG
MANUAL DE INSTRUCCIONES
MANUEL D'INSTRUCTIONS
INSTRUKCJA OBSŁUGI

ENGLISH

Congratulations to the purchase of this Beamz product. Please read this manual thoroughly prior to using the product in order to benefit fully from all features.

Read the manual prior to using the product. Follow the instructions in order not to invalidate the warranty. Take all precautions to avoid fire and/or electrical shock. Repairs must only be carried out by a qualified technician in order to avoid electrical shock. Keep the manual for future reference.

- Prior to using the product, please ask advice from a specialist. When the unit is switched on for the first time, some smell may occur. This is normal and will disappear after a while.
- The unit contains voltage carrying parts. Therefore do NOT open the housing.
- Do not place metal objects or pour liquids into the product. This may cause electrical shock and malfunction.
- Do not place the product near heat sources such as radiators, etc. Do not place the unit on a vibrating surface. Do not cover the ventilation holes.
- The product is not suitable for continuous use.
- Be careful with the mains lead and do not damage it. A faulty or damaged mains lead can cause electrical shock and malfunction.
- When unplugging the product from a mains outlet, always pull the plug, never the lead.
- Do not plug or unplug the unit with wet hands.
- If the plug and/or the mains lead are damaged, they need to be replaced by a qualified technician.
- If the product is damaged to such an extent that internal parts are visible, do NOT plug the unit into a mains outlet and DO NOT switch the product on. Contact your dealer. Do NOT connect the product to a rheostat or dimmer.
- To avoid fire and shock hazard, do not expose the product to rain and moisture.
- All repairs should be carried out by a qualified technician only.
- Connect the product to an earthed mains outlet (220-240Vac/50Hz) protected by a 10-16A fuse.
- During a thunderstorm or if the product will not be used for a longer period of time, unplug it from the mains. The rule is: Unplug it from the mains when not in use.
- If the product has not been used for a longer period of time, condensation may occur. Let the unit reach room temperature before you switch it on.
- Never use the product in humid rooms or outdoors.
- During operation, the housing becomes very hot. Do not touch it during operation and immediately after.
- To prevent accidents in companies, you must follow the applicable guide lines and follow the instructions.
- Secure the product with an extra safety chain if the unit is ceiling mount. Use a truss system with clamps. Make sure nobody stands in the mounting area. Mount the effect at least 50cm away from inflammable material and leave at least 1 meter space on every side to ensure sufficient cooling.
- This product contains high intensity LEDs. Do not look into the LED light to prevent damage to your eyes.
- Do not repeatedly switch the product on and off. This shortens the life time.
- Keep the unit out of the reach of children. Do not leave the unit unattended.
- Do not use cleaning sprays to clean switches. The residues of these sprays cause deposits of dust and grease. In case of malfunction, always seek advice from a specialist.
- Only operate the product with clean hands.
- Do not force the controls.
- If the product has fallen, always have it checked by a qualified technician before you switch the product on again.
- Do not use chemicals to clean the unit. They damage the varnish. Only clean the product with a dry cloth.
- Keep away from electronic equipment that may cause interference.
- Only use original spares for repairs, otherwise serious damage and/or dangerous radiation may occur.
- Switch the product off prior to unplugging it from the mains and/or other equipment. Unplug all leads and cables prior to moving the product.
- Make sure that the mains lead cannot be damaged when people walk on it. Check the mains lead before every use for damages and faults!
- The mains voltage is 220-240Vac/50Hz. Check if power outlet match. If you travel, make sure that the mains voltage of the country is suitable for this product.
- Keep the original packing material so that you can transport the product in safe conditions



This mark attracts the attention of the user to high voltages that are present inside the housing and that are of sufficient magnitude to cause a shock hazard.



This mark attracts the attention of the user to important instructions that are contained in the manual and that he should read and adhere to.



DO NOT LOOK DIRECTLY INTO THE LENS. This can damage your eyes. Persons who are subject to epileptic attacks should be aware of the effects that this light effect may have on them.

The product has been certified CE. It is prohibited to make any changes to the product. They would invalidate the CE certificate and their guarantee!

NOTE: To make sure that the unit will function normally, it must be used in rooms with a temperature between 5°C/41°F and 35°C/95°F.



Electric products must not be put into household waste. Please bring them to a recycling centre. Ask your local authorities or your dealer about the way to proceed. The specifications are typical. The actual values can slightly change from one unit to the other. Specifications can be changed without prior notice.

Do not attempt to make any repairs yourself. This would invalid your warranty. Do not make any changes to the product. This would also invalid your warranty. The warranty is not applicable in case of accidents or damages caused by inappropriate use or disrespect of the warnings contained in this manual. Beamz cannot be held responsible for personal injuries caused by a disrespect of the safety recommendations and warnings. This is also applicable to all damages in whatever form.

UNPACKING INSTRUCTION

CAUTION! Immediately upon receiving the product, carefully unpack the carton, check the contents to ensure that all parts are present, and have been received in good condition. Notify the shipper immediately and retain packing material for inspection if any parts appear damaged from shipping or the package itself shows signs of mishandling. Save the package and all packing materials. In the event that the product must be returned to the factory, it is important that the product be returned in the original factory box and packing.

If the device has been exposed to drastic temperature fluctuation (e.g. after transportation), do not switch it on immediately. The arising condensation water might damage your device. Leave the device switched off until it has reached room temperature.

POWERSUPPLY

On the label on the backside of the product is indicated on this type of power supply must be connected. Check that the mains voltage corresponds to this, all other voltages than specified, the light effect can be irreparably damaged. The product must also be directly connected to the mains and may be used. No dimmer or adjustable power supply.



Always connect the device to a protected circuit (circuit breaker or fuse). Make sure the device has an appropriate electrical ground to avoid the risk of electrocution or fire.

INSTALLATION



CAUTION: Please consider the respective national norms during the installation! The installation must only be carried out by an authorized employee or dealers!

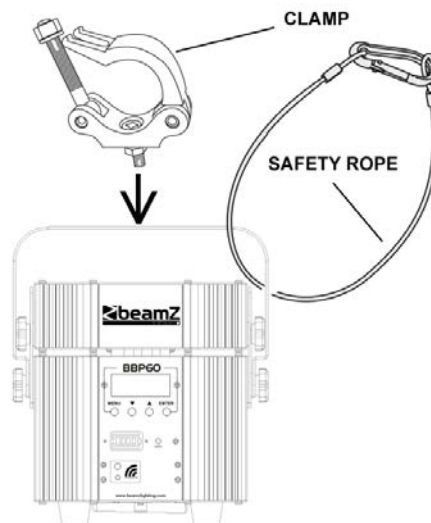


Attention:

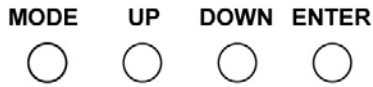
- The installation of the product has to be built and constructed in a way that it can hold 10 times the weight for 1 hour without any harming deformation.
- The installation must always be secured with a secondary safety attachment, e.g. an appropriate catch net. This secondary safety attachment must be constructed in a way that no part of the installation can fall down if the main attachment fails.
- Make sure the area below the installation place is free from unwanted persons during rigging, de-rigging and servicing.
- The operator has to make sure that safety-relating and machine-technical installations are approved by an expert before taking into operation for the first time and after changes before taking into operation another time.
- The operator has to make sure that safety-relating and machine-technical installations are approved by a skilled person once a year.
- The fixture should be installed in the position where persons cannot reach and where persons may walk by or be seated.



CAUTION: When installing the device, make sure there is no highly inflammable material (decoration articles, etc.) in between a distance of min 20inch / 0.5 meter.



DISPLAY



The control board offer several features: you can simple set the starting address, run the pre-programmed program or make a reset. The main menu is accessed by pressing the **Mode**-button, browse through the submenu by pressing **Up** or **Down**.

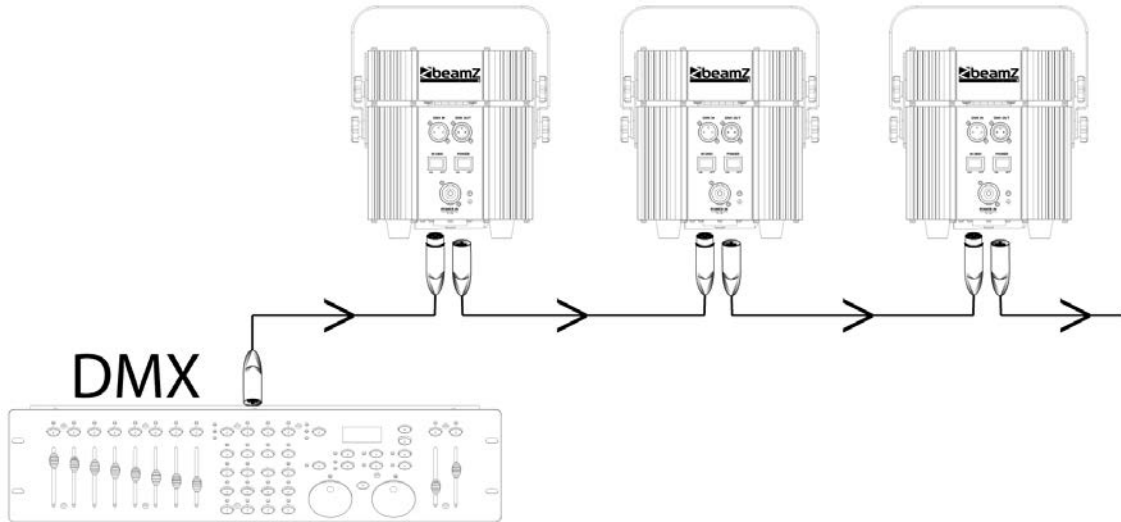
Press the **Enter**-button in order to select the desired menu.

You can change the selection by pressing **Up** or **Down**. Confirm every selection by pressing the **Enter**-button.

You can leave every mode by pressing the **Mode**-button. The functions provided are described later in this manual.

DMX-512 CONNECTION

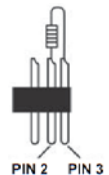
If you are using a standard DMX controller, you can connect the DMX output of the controller directly to the DMX input of the first unit in a DMX chain. Always connect the output of one unit with the input of the next unit until all units are connected.



5-pin XLR DMX Connectors.

Some manufactures use 5-pin DMX-512 data cables for DATA transmission in place of 3-pin. 5-pin DMX fixtures may be implemented in a 3-pin DMX line. When inserting standard 5-pin data cables in to a 3-pin line a cable adaptor must be used. The chart below details a proper cable conversion.

3-Pin XLR to 5-Pin XLR Conversion		
Conductor	3-Pin XLR Female (Out)	5-Pin XLR Male (In)
Ground/Shield	Pin 1	Pin 1
Data Compliment (- signal)	Pin 2	Pin 2
Data True (+ signal)	Pin 3	Pin 3
Not Used		Pin 4 – Do Not Use
Not Used		Pin 5 – Do Not Use



At the last fixture, the DMX cable has to be terminated. Solder a 120 Ohm resistor between signal (-) and signal (+) into a 3-pin XLR connector and plug this into the DMX output of the last fixture in the chain.

WIRELES DMX TRANSMITTER

The BBP60 Uplighter offers wireless control receiver.

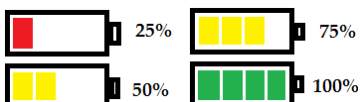
For the transmitting product:

1. Connect the transmitter on your DMX light controller.

For the receiving product(s) (Your BBP60 fixture)

1. Set the wireless DMX switch "ON". Now you can control the BBP60 wireless.
2. If you have de BBP60 with a DMX cable you must be set die Wireless DMX "OFF". Now you can control the BBP60 with the cable.

BATTERY LIFE INDICATOR



The battery life indicator are the LCD screen on the front of the BBP60. The indicator show how much battery life remains available. The drawing below provides a key to reading the battery life indicators.

RECHARGEABLE BATTERY OPERATION

Prior to operating the device off mains for the first time, the rechargeable battery must be fully charged.

1. Switch on the device with the power switch. The operating time of the battery depends on the operating mode and the ambient temperature. After the operation, switch the device off.
2. For charging the battery, connect the device to a power outlet via the power connector. The device may be operated during the charging procedure. Also you can charging the battery in the flightcase each bbp60 has a special charging connector on the bottom which connects directly to the flightcase. You connect the flightcase with the power connector on the case. The charging of the battery will start.
3. The device features a protective circuit for charging which prevents overload of the rechargeable battery. However, disconnect the device from the mains after charging. Otherwise there will be a low current consumption even if the device is switched off.
4. The device will heat up during charging; this is normal.
5. To prevent damage to the battery by deep discharge, recharge a battery completely discharged as soon as possible. Do not store the unit with the battery completely discharged and regularly recharge the battery in case of long storage.

TROUBLESHOOTING

This section describes a few common problems that may occur during operation and provides some suggestions for easy troubleshooting:

Symptom	Potential cause	Remedies
No light from fixture, or fans not working.	Power supply issue, such as blown fuse, faulty connector or damaged cable.	Check whether fixture's power indicator LED is lit. Check all power connections and cables. Replace fixture fuse.
Fixture does not react to music beat	Sound activation disabled. Sound activation sensitivity too low for music source.	Ensure that fixture is not connected to a DMX signal. Adjust sound activation microphone sensitivity. Tap microphone to check correct functionality. The fixture should react when in sound activation mode.
One of the control channels is unresponsive or only responds intermittently.	DMX setup or DMX link fault. Damaged step motor or cable connection between head and body.	See next section. Contact your Beamz by Tronios authorized distributor or service center for assistance.
Fixture does not respond to DMX control.	Incorrect DMX addressing. Fault on DMX link due to damaged connector or cable, or potential interference from proximity to a high voltage installation.	Ensure that fixture's DMX address matches address set on DMX control device. Check that fixture DMX check all DMX cables and connections. Ensure that DMX link is terminated. Check that all components on DMX link use standard DMX polarity. Attempt to control the fixture with another DMX control device. Move or shield link if it is close to an unshielded high-voltage installation.

FIXTURE CLEANING

The cleaning of internal and external optical lenses and/or mirrors must be carried out periodically to optimize light output. Cleaning frequency depends on the environment in which the fixture operates: damp, smoky or particularly dirty surrounding can cause greater accumulation of dirt on the unit's optics.

- Make sure the area below the installation place is free from unwanted persons during servicing.
- Housings, fixations and installations spots(ceiling, truss, suspensions) should be totally free from any deformation.
- The mains cables must be in impeccable condition and should be replaced immediately when even a small problem is detected.
- In order to protect the fixture from overheat the cooling fans (if any) and ventilation openings should be cleaned monthly.
- The interior of the fixture should be cleaned annually using a vacuum cleaner or air-jet.
- Clean with soft cloth using normal glass cleaning fluid.
- Always dry the parts carefully.
- Clean the external optics at least every month. Clean the internal optics at least every 30/60 days.

ATTENTION: We strongly recommend internal cleaning to be carried out by qualified worker!

Hartelijk dank voor de aanschaf van dit Beamz product. Neemt U a.u.b. een paar momenten de tijd om deze handleiding zorgvuldig te lezen, aangezien wij graag willen dat u onze producten snel en volledig gebruikt.

Lees deze handleiding eerst door alvorens het product te gebruiken. Volg de instructies op anders zou de garantie wel eens kunnen vervallen. Neem ook altijd alle veiligheidsmaatregelen om brand en/of een elektrische schok te voorkomen. Tevens is het ook raadzaam om reparaties / modificaties e.d. over te laten aan gekwalificeerd personeel om een elektrische schok te voorkomen. Bewaar deze handleiding ook voor toekomstig gebruik.

- Bewaar de verpakking zodat u indien het apparaat defect is, dit in de originele verpakking kunt opsturen om beschadigingen te voorkomen.
- Voordat het apparaat in werking wordt gesteld, altijd eerst een deskundige raadplegen. Bij het voor de eerste keer inschakelen kan een bepaalde reuk optreden. Dit is normaal en verdwijnt na een poos.
- In het apparaat bevinden zich onder spanning staande onderdelen; open daarom NOOIT dit apparaat.
- Plaats geen metalen objecten en mors geen vloeistof in het effect. Dit kan leiden tot elektrische schokken of defecten.
- Toestel niet opstellen in de buurt van warmtebronnen zoals radiatoren etc. en niet op een vibrerende onder- grond plaatsen. Dek ventilatieopeningen nooit af.
- Het apparaat is niet geschikt voor continu gebruik.
- Wees voorzichtig met het netsnoer en beschadig deze niet. Als het snoer kapot of beschadigd is, kan dit leiden tot elektrische schokken of defecten.
- Als u de stekker uit het stopcontact neemt, trek dan niet aan het snoer, maar aan de stekker.
- Om brand of elektrische schok te voorkomen, dient u dit apparaat niet bloot te stellen aan regen of vocht.
- Verwijder of plaats een stekker nooit met natte handen resp. uit en in het stopcontact.
- Indien zowel de stekker en/of netsnoer als snoeringang in het apparaat beschadigd zijn dient dit door een vakman hersteld te worden.
- Indien het apparaat zo beschadigd is dat inwendige (onder)delen zichtbaar zijn mag de stekker NOOIT in het stopcontact worden geplaatst en het apparaat NOOIT worden ingeschakeld. Neem in dit geval contact op met de dealer.
- Sluit het apparaat nooit op een dimmer aan.
- Reparatie aan het apparaat dient te geschieden door een vakman of een deskundige.
- Sluit het apparaat alleen aan op een 220-240VAC / 50Hz (geaard) stopcontact, verbonden met een 10-16A meterkastgroep.
- Bij onweer altijd de stekker uit het stopcontact halen, zo ook wanneer het apparaat voor een langere tijd niet gebruikt wordt. Stelregel: Bij geen gebruik stekker verwijderen.
- Als u het apparaat lang niet gebruikt heeft en het weer wil gebruiken kan er condens ontstaan; laat het apparaat eerst op kamertemperatuur komen alvorens het weer in werking te stellen.
- Apparaat nooit in vochtige ruimten en buiten gebruiken.
- De behuizing wordt zeer warm, raak deze dan ook niet aan bij gebruik en direct na gebruik..
- Om ongevallen in bedrijven te voorkomen moet rekening worden gehouden met de daarvoor geldende richtlijnen en moeten de aanwijzingen/waarschuwingen worden gevolgd.
- Zorg voor een extra veiligheidsketting als het product op hoogte wordt gehangen. Gebruik een truss-systeem met montagehaak. Ga nooit onder het product staan bij ophanging. Monteer minimaal 50 cm van brandbare objecten en laat tenminste 1meter vrij aan weerszijden voor een deugdelijke ventilatie.
- Dit apparaat bezit een hoge intensiteit LED; kijk nooit in de LED om oogbeschadigingen te voorkomen.
- Het apparaat buiten bereik van kinderen houden. Bovendien mag het apparaat nooit onbeheerd gelaten worden
- Gebruik geen schoonmaakspray om de schakelaars te reinigen. Restanten van deze spray zorgen ervoor dat smeer en stof ophopen. Raadpleeg bij storing te allen tijde een deskundige.
- Zorg dat uw handen schoon zijn tijdens het gebruik.
- Gebruik geen overmatige kracht bij het bedienen van het apparaat.
- Bij een ongeval met dit product altijd eerst een deskundige raadplegen alvorens opnieuw te gebruiken.
- Tracht het apparaat niet schoon te maken met chemische oplossingen. Dit kan de lak beschadigen. Gebruik een droge doek om schoon te maken.
- Blijf uit de buurt van elektronische apparatuur die bromstoringen zouden kunnen veroorzaken.
- Bij reparatie dienen altijd originele onderdelen te worden gebruikt om onherstelbare beschadigingen en/of ontoelaatbare straling te voorkomen.
- Schakel eerst het apparaat uit voordat u het netsnoer verwijderd. Verwijder netsnoer en aansluitsnoeren voordat u het apparaat gaat verplaatsen.
- Zorg ervoor dat het netsnoer niet beschadigd/defect kan raken wanneer mensen erover heen lopen. Het netsnoer vóór ieder gebruik controleren op breuken/defecten!
- In Nederland/België is de netspanning 220-240Vac/50Hz. Indien u reist (en u neemt het apparaat mee) informeer dan naar de netspanning in het land waar u verblijft.



Deze markering wordt weergegeven om u erop attent te maken dat een levensgevaarlijke spanning in het product aanwezig is en dat bij aanraking van deze delen een elektrische schok wordt verkregen.



Deze instructiemarkering wordt weergegeven om u erop te wijzen dat de instructie zeer belangrijk is om te lezen en/of op te volgen.



KIJK NOOIT DIRECT IN DE LENS. Dit kan uw ogen beschadigen. Daarnaast dienen epileptici rekening te houden met de effecten die dit toestel creëert. Dit apparaat is CE goedgekeurd ; er mogen geen veranderingen modificaties worden doorgevoerd ; deze kunnen de CE status te niet doen met alle gevolgen van dien. Tevens vervalt de garantie!

OPMERKING: Om zeker te zijn van een correcte werking, dient u dit apparaat in een ruimte te gebruiken waar de temperatuur tussen de 5°C/41°F en 35°C/95°F ligt.



Raadpleeg eventueel www.wecycle.nl en/of www.vrom.nl v.w.b. het afdanken van elektronische apparaten in het kader van de WEEE-regeling. Vele artikelen kunnen worden gerecycled, gooi ze daarom niet bij het huisvuil maar lever ze in bij een gemeentelijk depot of uw dealer. Lever ook afgedankte batterijen in bij uw gemeentelijk depot of bij de dealer, zie www.stibat.nl

Alle (defecte) artikelen dienen gedurende de garantieperiode altijd retour te worden gezonden in de originele verpakking. Voer zelf geen reparaties uit aan het apparaat; in elk geval vervalt de totale garantie. Ook mag het apparaat niet eigenmachtig worden gemodificeerd, ook in dit geval vervalt de totale garantie. Ook vervalt de garantie bij ongevallen en beschadigingen in elke vorm t.g.v. onoordeelkundig gebruik en het niet in acht nemen van het gestelde in deze gebruiksaanwijzing. Tevens aanvaardt Beamz geen enkele aansprakelijkheid in geval van persoonlijke ongelukken als gevolg van het niet naleven van veiligheidsinstructies en waarschuwingen. Dit geldt ook voor gevolgschade in welke vorm dan ook.

UITPAKKEN

LET OP! Onmiddellijk na ontvangst, zorgvuldig uitpakken van de doos, controleer de inhoud om ervoor te zorgen dat alle onderdelen aanwezig zijn en zijn in goede staat zijn ontvangen. Bij transportschade of ontbreken van onderdelen onmiddellijk de verkopende partij inlichten. Bewaar de verpakking en het verpakkingsmateriaal. Indien het product moet worden teruggestuurd, is het belangrijk dat het product in originele verpakking wordt geretourneerd.

Als het apparaat is blootgesteld aan drastische temperatuurverschillen (bv. na het transport), schakel het apparaat niet onmiddellijk in. De ontstane condensatie kan het apparaat beschadigen. Zorg ervoor dat het apparaat op kamertemperatuur komt en steek vervolgens de voeding stekker in het stopcontact/wandcontactdoos.

AANSLUITSPANNING

Op het label aan de achterzijde van het product staat aangegeven op welke netspanning deze moet worden aangesloten. Controleer of de netspanning hiermee overeenkomt, bij alle andere netspanningen dan aangegeven kan het apparaat onherstelbaar worden beschadigd. Tevens moet het apparaat direct op de netspanning worden aangesloten en mag géén dimmer of regelbare voeding worden gebruikt.



Sluit het apparaat altijd aan op een beschermd circuit (aardlekschakelaar of zekering). Zorg ervoor dat het apparaat voldoende elektrisch is geaard om het risico op elektrocutie of brand te vermijden.

INSTALLATIE



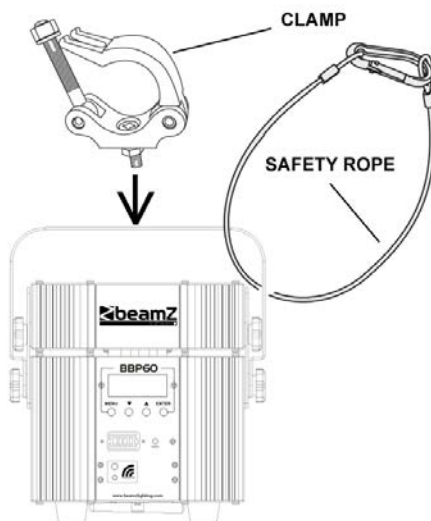
LET OP: Het installeren dient conform de wet en gestelde eisen te geschieden! Ook dient het installeren te geschieden door vakbekwaam personeel!



- De constructie van de ophanging dient zo te zijn dat deze 10 keer het gewicht per uur van het product kan dragen.
- Gebruik altijd de meegeleverde bevestigingsbeugel om het product op te hangen.
- Het product dient m.b.v. een montageklem (niet meegeleverd) aan de meegeleverde bevestigingsbeugel te worden bevestigd.
- Het product moet altijd worden gezeurd d.m.v. veiligheidskabel.
- Zorg ervoor dat geen enkel individu tijdens installatie, reparatie enz. onder het product staat of door kan lopen.
- De gebruiker is verantwoordelijk voor het product, de installatie en de veiligheid van het geheel. Is deze daartoe niet in staat dient altijd een externe deskundige in de arm genomen te worden die het geheel controleert en de verantwoordelijkheid op zich neemt.
- De gebruiker dient minstens eens per jaar het product en de installatie te laten controleren, op veiligheid, technische werking enz., door een externe deskundige.



LET OP: Bij de installatie van het apparaat mag geen ontvlambaar materiaal aanwezig zijn (decoratie materiaal, enz.). Houd tenminste 50 cm afstand tot oppervlakken en andere apparatuur!



DISPLAY



MODE UP DOWN ENTER



Het bedieningspaneel biedt verschillende mogelijkheden zoals: eenvoudige invoeren van het startadres, voorgeprogrammeerde programma selecteren of een reset. Het hoofdmenu wordt geopend door op de **Mode**-toets, blader door het submenu door **Up** of **Down**-toets.

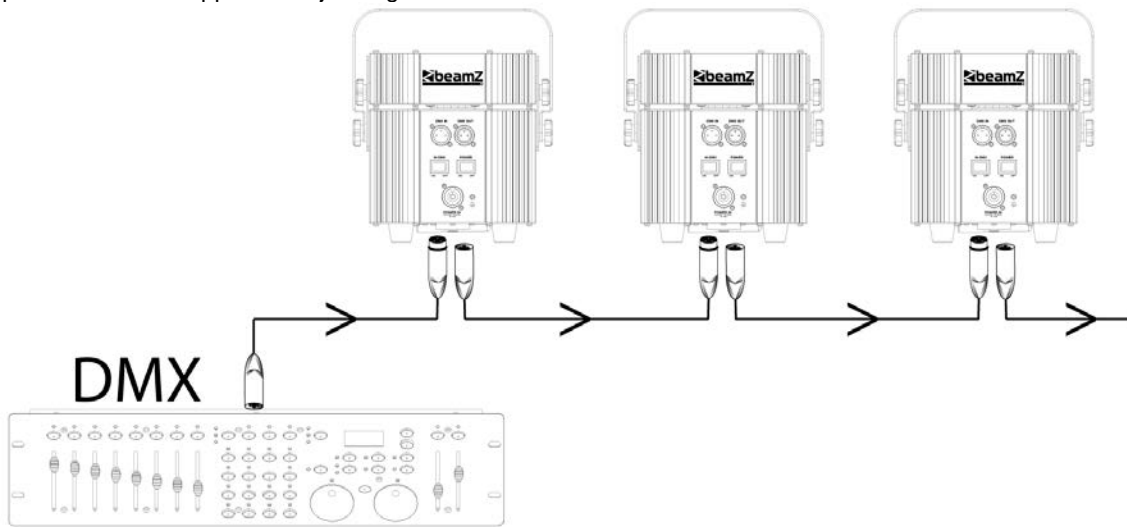
Druk op de **Enter**-toets om het gewenste menu te selecteren.

U kunt de selectie wijzigen door te drukken op de **Up** of **Down**-toets. Bevestig elke keuze door te drukken op de **Enter**-toets.

Je kunt elke modus verlaten door op de **Mode** -toets. De functies worden verderop in de handleiding beschreven.

DMX-512 AANSLUITEN

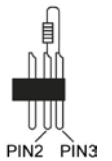
Als u gebruik maakt van een standaard DMX-lichtstuurtafel, kunt u de DMX uitgang van de stuurtafel rechtstreeks aansluiten op de DMX ingang van het eerste DMX apparaat. Sluit altijd de DMX uitgang aan op de eerst volgende DMX ingang van het volgende apparaat totdat alle apparaten zijn aangesloten.



5-polige XLR connector.

Sommige fabrikanten gebruiken 5-polige DMX kabels voor DATA transmissie in plaats van 3-pin. 5-polige DMX armaturen kan in een 3-polige DMX lijn worden uitgevoerd. Bij het plaatsen van standard 5-polige datakabels in een 3-polige DMX lijn, moet er een verloop worden gebruikt. Onderstaande tabel geeft de details voor de juiste kabelconversie.

3-Pin XLR to 5-Pin XLR Conversion		
Conductor	3-Pin XLR Female (Out)	5-Pin XLR Male (In)
Ground/Shield	Pin 1	Pin 1
Data Compliment (- signal)	Pin 2	Pin 2
Data True (+ signal)	Pin 3	Pin 3
Not Used		Pin 4 – Do Not Use
Not Used		Pin 5 – Do Not Use



Opgelet bij het laatste apparaat, dient u de DMX-lijn af te sluiten met een eindweerstand. Soldeer een 120 Ohm weerstand tussen signaal (-) en signaal (+) in een 3-polige XLR connector en steek deze in de DMX uitgang van het laatste apparaat in de lijn.

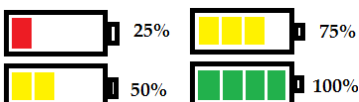
DRAADLOSE DMX ONTVANGER

De BBP60 Uplight is voorzien van een draadloze DMX-ontvanger.

1. Sluit de zender aan op uw DMX-lichtstuurtafel.
2. Sluit de ontvanger aan op de BBP60 Uplight en schakel vervolgens de draadloze DMX-schakelaar in. Nu kunt u de BBP60 draadloos bedienen.

Opmerking: Als u de BBP60 heeft aangesloten met een DMX-kabel moet u de draadloze DMX-schakelaar uitschakelen. Nu kunt u de BBP60 via DMX-kabel bedienen.

BATTERIJ INDICATIE



Via het LCD-scherm is de batterijcapaciteit af te lezen. De afbeeldingen geven de batterijcapaciteit percentage weer.

OPLADEN VAN DE BATTERIJ

Voordat de BBP60 voor het eerst in gebruik wordt genomen dient de batterij volledig opgeladen zijn.

1. Schakel het apparaat in met de aan/ uit-schakelaar. De oplaadtijd van de batterij hangt af van de bedrijfsmodus en de omgevingstemperatuur. Schakel het apparaat uit na oplaadtijd.
2. Voor het opladen van de batterij, sluit de BBP60 aan met behulp van de power connector. Het apparaat kan tijdens het opladen worden gebruikt. U kunt ook de batterij ook opladen in de flightcase. Elke BBP60 heeft een speciale laad connector op de bodem die direct op de flightcase aangesloten kan worden. U sluit de flightcase aan met de power connector die op de flightcase is bevestigd. Het opladen van de batterij begint.
3. Het toestel beschikt over een beveiligingsschakeling voor het opladen, waardoor overbelasting van de oplaadbare batterij voorkomt. Haal het apparaat echter uit het stopcontact na het opladen. Anders is er een laag stroomverbruik, ook al is het apparaat uitgeschakeld.
4. Het toestel zal tijdens het opladen opwarmen; dit is normaal.
5. Om te voorkomen dat de batterij beschadigd raakt door het ontladen, als de batterij volledig ontladen is laad deze dan zo snel mogelijk weer op. Bewaar het apparaat niet met de batterij volledig ontladen. Bij een langdurige opslag laad het apparaat regelmatig bij.

HET OPLOSSEN VAN PROBLEMEN

Dit hoofdstuk beschrijft een aantal veel voorkomende problemen die zich kunnen voordoen tijdens de bediening en biedt een aantal suggesties voor het eenvoudig oplossen van problemen:

Symptoom	Mogelijke oorzaak	Verhelpen
Geen licht uit	Voeding probleem, Zoals doorgebrande zekering, defect connector of beschadigde kabel.	Controleer andere apparaten. Voeding led aan. Controleer de voeding en kabels. Vervang de zekering.
Apparaat reageert niet op de muziek.	Geluid uitgeschakeld. Geluid gevoeligheid te laag voor de geluidsbron.	Zorg ervoor dat het apparaat niet verbonden is met DMX signaal. Pas de gevoeligheid van de microfoon aan. Tik op de microfoon om te controleren of het juist functioneert. Het apparaat moet reageren als deze in de geluid mode staat.
Eén van de kanalen reageert niet of met tussenpozen.	DMX setup of DMX verbinding is slecht.	Zie de volgende stap. Neem contact op met Beamz door Tronios erkende distributeur of service center voor assistentie.
Apparaat reageert niet op DMX controle.	Onjuiste DMX adressering. Storing op de DMX lijn te wijten aan beschadigde connector, kabel, of mogelijke storingen van nabijheid van een hoogspanning installatie.	het DMX adres van het apparaat moet overeenkomen met het adres die ingesteld staat op de stuurtafel. Is dit niet zo controleer de DMX kabels en verbindingen. Zorg ervoor dat DMX link is beëindigd. Verplaats het apparaat als deze nabij een onbeschermd hoogspanning installatie staat.

ONDERHOUD

Het reinigen van inwendige en uitwendige optische lenzen en / of spiegels moet regelmatig worden uitgevoerd om de lichtopbrengst te optimaliseren. Reinigingsfrequentie is afhankelijk van de omgeving waarin het armatuur wordt gebruikt: een klamme, rokerige of bijzonder vuile omgeving kan een grotere opeenhoping van vuil veroorzaken op de optische uitrusting.

- Zorg er voor dat gedurende het onderhoud zich geen individuen bevinden onder het apparaat.
- Schakel het apparaat uit, trek de stekker uit het stopcontact en wacht tot het apparaat is afgekoeld.
- Behuizing, bevestiging en installaties (plafond, truss, ophanging) moeten van deugdelijke aard zijn.
- Het netsnoer mag niet beschadigd zijn en moet direct vervangen worden, ook bij kleine defecten.
- Om het apparaat te beschermen tegen oververhitting dienen ventilatoren en ventilatie openingen iedere maand gereinigd te worden.
- De lens en spiegels dienen periodiek gereinigd te worden. Deze periode is afhankelijk van de aanwezige viezigheid.
- Alleen reinigen met een droge doek, gebruik geen reinigingsmiddelen.
- Modificaties door de fabrikant worden zonder u op de hoogte te brengen doorgevoerd.

LET OP: Wij adviseren u het reinigen en servicen van het apparaat uit te laten voeren door een vakbekwaam persoon.

Vielen Dank für den Kauf dieses Beamz gerat. Nehmen Sie sich einen Augenblick Zeit, um diese Anleitung sorgfältig durchzulesen, damit sie die Möglichkeiten, die unser Produkt bietet, sofort voll ausnutzen können. Lesen Sie erst die Anleitung vollständig vor der ersten Inbetriebnahme durch. Befolgen Sie die Anweisung, da sonst jeglicher Garantieanspruch verfällt. Treffen Sie stets alle Sicherheits-vorkehrungen um Feuer und/oder Stromschlag zu vermeiden. Reparaturen dürfen nur von qualifiziertem Fachpersonal ausgeführt werden, um Stromschlag zu vermeiden. Bewahren Sie diese Anleitung für spätere Bezugnahme auf.

- Bewahren Sie die Verpackung auf, um das Gerät im Bedarfsfall sicher transportieren zu können.
- Bevor das Gerät in Betrieb genommen wird, muss es erst von einem Fachmann überprüft werden. Bei der ersten Benutzung kann etwas Geruch auftreten. Das ist normal und verschwindet nach einer Weile
- Das Gerät enthält unter Spannung stehende Teile. Daher NIEMALS das Gehäuse öffnen.
- Keine Metallgegenstände oder Flüssigkeiten ins Gerät dringen lassen. Sie können zu Stromschlag und Defekten führen.
- Gerät nicht in der Nähe von Wärmequellen wie Heizkörpern aufstellen. Nicht auf eine vibrierende Oberfläche stellen. Niemals die Belüftungsschlitze abdecken.
- Das Gerät ist nicht für Dauerbetrieb geeignet.
- Gehen Sie vorsichtig mit dem Netzkabel um und beschädigen Sie es nicht. Eine beschädigte Netzschnur kann zu Stromschlag und Defekten führen.
- Wenn Sie das Gerät vom Netz trennen, immer am Stecker ziehen, niemals an der Schnur.
- Um Feuer und Stromschlag zu vermeiden, das Gerät vor Regen und Feuchtigkeit schützen.
- Den Stecker nie mit nassen Händen in eine Netzsteckdose stecken oder abziehen.
- Wenn sowohl der Stecker und/oder die Netzschnur bzw. der Kabeleintritt ins Gerät beschädigt sind, müssen sie von einem Fachmann repariert werden.
- Wenn das Gerät so beschädigt ist, dass Innenteile sichtbar sind, darf der Stecker NICHT in eine Steckdose gesteckt werden und das Gerät darf NICHT eingeschaltet werden. Wenden Sie sich in dem Fall an Ihren Fachhändler. Das Gerät darf nicht an einen Dimmer angeschlossen werden.
- Reparaturen dürfen nur von einem Fachmann oder Sachverständigen ausgeführt werden.
- Das Gerät nur an eine geerdete 10-16A Netzsteckdose mit 220-240V AC/50Hz Spannung anschließen.
- Bei Gewitter oder längerem Nichtgebrauch den Netzstecker abziehen. Die Regel gilt: Bei Nichtgebrauch Netzstecker abziehen.
- Wenn das Gerät längere Zeit nicht benutzt wurde, kann sich Kondenswasser gebildet haben. Lassen Sie das Gerät erst auf Zimmertemperatur kommen, bevor Sie es einschalten.
- Das Gerät nicht in feuchten Räumen oder im Freien benutzen.
- Das Gehäuse wird sehr warm. Während des Betriebs und gleich danach nicht das Gehäuse anfassen.
- Um Unfällen in der Öffentlichkeit vorzubeugen, müssen die geltenden Richtlinien beachtet und die Anweisungen/Warnungen befolgt werden.
- Wenn das Gerät an der Decke befestigt werden soll, muss es mit einer zusätzlichen Sicherheitskette abgesichert werden. Benutzen Sie ein Traversensystem mit Haken. Während der Montage darf sich niemand im Bereich darunter aufhalten. Das Gerät muss mindestens 50cm von brennbaren Materialien entfernt angebracht werden. Lassen Sie einen Mindestabstand von 1m an jeder Seite des Geräts frei, um ausreichende Kühlung zu gewährleisten.
- Das Gerät besitzt eine hochintensive LED. Niemals direkt in die LED blicken, um die Augen nicht zu beschädigen.
- Niemals das Gerät kurz hintereinander ein- und ausschalten. Dadurch verkürzt sich die Lebensdauer erheblich.
- Das Gerät außerhalb der Reichweite von Kindern halten. Das Gerät niemals unbeaufsichtigt lassen.
- Die Regler nicht mit Reinigungssprays reinigen. Diese hinterlassen Rückstände, die zu Staub- und Fettansammlungen führen. Bei Störungen immer einen Fachmann um Rat fragen.
- Das Gerät nur mit sauberen Händen bedienen.
- Das Gerät nicht mit Gewalt bedienen.
- Nach einem Unfall mit dem Gerät immer erst einen Fachmann um Rat fragen, bevor Sie es wieder einschalten.
- Keine chemischen Reinigungsmittel benutzen, die den Lack beschädigen. Das Gerät nur mit einem trockenen Tuch abwischen.
- Nicht in der Nähe von elektronischen Geräten benutzen, die Brummstörungen verursachen können.
- Bei Reparaturen nur die Original-Ersatzteile verwenden, um starke Schäden und/oder gefährliche Strahlungen zu vermeiden.
- Bevor Sie das Netz- und/oder Anschlusskabel abziehen, erst das Gerät ausschalten. Netz- und Anschlusskabel abziehen, bevor Sie das Gerät umstellen.
- Sorgen Sie dafür, dass das Netzkabel nicht beschädigt werden kann, wenn Menschen darüber laufen. Das Netzkabel vor jedem Einsatz auf Brüche/Schadstellen überprüfen.
- In Deutschland beträgt die Netzspannung 220-240V AC / 50Hz. Wenn Sie das Gerät auf Reisen mitnehmen, prüfen Sie, ob die örtliche Netzspannung den Anforderungen des Geräts entspricht.



Dieses Zeichen weist den Benutzer darauf hin, dass lebensgefährliche Spannungen im Gerät anliegen, die bei Berührung einen Stromschlag verursachen.



Dieses Zeichen lenkt die Aufmerksamkeit des Benutzers auf wichtige Hinweise in der Anleitung hin, die unbedingt eingehalten werden müssen.



NIEMALS DIREKT IN DIE LINSE BLICKEN. Dies kann Ihre Augen verletzen. Epileptiker müssen die Auswirkungen berücksichtigen, die die Effekte dieses gerat auf ihre Gesundheit haben können. Das Gerät ist CE geprüft. Daher dürfen KEINE Veränderungen vorgenommen werden. Außerdem verfällt bei Veränderungen am Gerät jeglicher Garantieanspruch!

HINWEIS: Um einen einwandfreien Betrieb zu gewährleisten, muss die Raumtemperatur zwischen 5°C/41°F und 35°C/95° liegen.



Tronios BV Registrierungsnummer : DE51181017 (ElektroG). Dieses Produkt darf am Ende seiner Lebensdauer nicht über den normalen Haushaltsabfall entsorgt werden, sondern muss an einem Sammelpunkt für das Recycling abgegeben werden. Hiermit leisten Sie einen wichtigen Beitrag zum Schutze unserer Umwelt.

Tronios BV Registrierungsnummer : 21003000 (BatterieG). (Lithium)Batterien und Akkupacks sollten nur im entladenen Zustand in die Altbatteriesammelgefäße bei Handel und bei öffentlich-rechtlichen Entsorgungsträgern gegeben werden. Bei nicht vollständig entladenen Batterien Vorsorge gegen Kurzschluss treffen durch Isolieren der Pole mit Klebestreifen. Der Entnutzer ist zur Rückgabe von Altbatterien gesetzlich verpflichtet.

Reparieren Sie das Gerät niemals selbst und nehmen Sie niemals eigenmächtig Veränderungen am Gerät vor. Sie verlieren dadurch den Garantieanspruch. Der Garantieanspruch verfällt ebenfalls bei Unfällen und Schäden in jeglicher Form, die durch unsachgemäßen Gebrauch und Nichtbeachtung der Warnungen und Sicherheitshinweise in dieser Anleitung entstanden sind. Beamz ist in keinem Fall verantwortlich für persönliche Schäden in Folge von Nichtbeachtung der Sicherheitsvorschriften und Warnungen. Dies gilt auch für Folgeschäden jeglicher Form.

AUSPACKEN

Packen Sie das Gerät sofort nach Empfang aus und prüfen Sie den Inhalt. Wenn Teile fehlen oder beschädigt sind, benachrichtigen Sie sofort den Spediteur und bewahren Sie die Verpackung auf. Falls ein Gerät ins Werk zurückgeschickt werden muss, ist es wichtig, dass es in der Originalverpackung versandt wird.

Das Gerät darf nicht in Betrieb genommen werden, nachdem es von einem kalten in einen warmen Raum gebracht wurde. Das dabei entstehende Kondenswasser kann unter Umständen Ihr Gerät zerstören. Lassen Sie das Gerät solange uneingeschaltet, bis es Zimmertemperatur erreicht hat!

NETZANSCHLUSS

Die benötigte Versorgungsspannung steht auf dem Typenschild auf der Rückseite des Geräts. Die angegebenen Stromwerte entsprechen einem Durchschnittswert bei normalem Betrieb. Alle Geräte müssen direkt ans Netz angeschlossen werden und dürfen nicht über Dimmerpacks geschaltet werden. Bevor Sie eine Spannung anlegen, prüfen Sie, ob der Wert der zulässigen Spannung entspricht.



Verbinden Sie immer das Produkt an einem geschützten Schaltkreis (Leistungsschalter oder Sicherung). Stellen Sie sicher, das Produkt ist elektrisch geerdet, um das Risiko eines Stromschlags oder Feuer zu vermeiden.

INSTALLATION



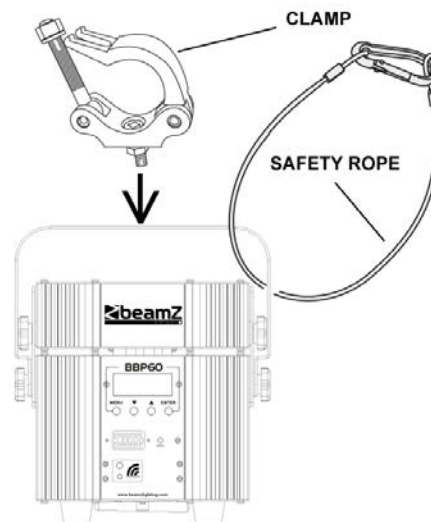
VORSICHT: Bitte beachten Sie die entsprechende nationale Gesetzgebung während der Montage! Die Installation darf nur von befugten Angestellten oder Fachleuten ausgeführt werden.



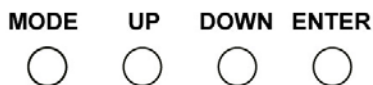
- Die Aufhängung des Geräts muss 10-mal das Eigengewicht 1 Stunde lang ohne Spuren von Verformung tragen können.
- Verwenden Sie immer das mitgelieferte Montagebügel, um das Gerät zu hängen.
- Das Gerät darf nur über den Montagebügel (nicht enthalten) an der mitgelieferten Hänge-/Befestigungsbügel installiert werden.
- Das Gerät muss immer mit Hilfe von Sicherheitsseil gesichert werden.
- Die Anlage muss immer mit einer zweiten Sicherheitsvorrichtung z.B. einem geeigneten Fallnetz/Sicherungsseil abgesichert werden. Die zweite Sicherheitsvorrichtung muss so gebaut sein, dass keine Teile des Geräts auf den Boden fallen können, falls die Hauptbefestigung nachgibt.
- Achten Sie drauf, dass sich während der Montage, Demontage und Wartung keine Personen unter dem Montageplatz befinden.
- Der Benutzer muss sicherstellen, dass alle sicherheitstechnischen Anlagen von einem Fachmann geprüft werden, bevor er die Anlage zum ersten Mal in Betrieb nimmt oder nach Änderungen der Anlage.
- Der Benutzer muss sicherstellen, dass die Anlage einmal im Jahr von einem Fachmann geprüft wird.
- Das Gerät muss an einem Ort angebracht werden, wo es nicht von Personen erreicht werden kann und wo sich keine Personen weder stehend noch sitzend aufhalte.



VORSICHT: Beim Installieren des Geräts darauf achten, dass sich keine brennbaren Materialien (Dekorationsartikel usw.) in weniger als 0,5m Entfernung befinden.



DISPLAY



Die Konsole bietet verschiedene Funktionen wie: einfache Eingabe der Startadresse, wählen Sie Preset-Programm oder ein Reset. Das Hauptmenü wird durch Drücken der **Mode**-Taste aufgerufen, blättern Sie durch die Untermenüs durch **Up** oder **Down**-Taste.

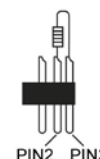
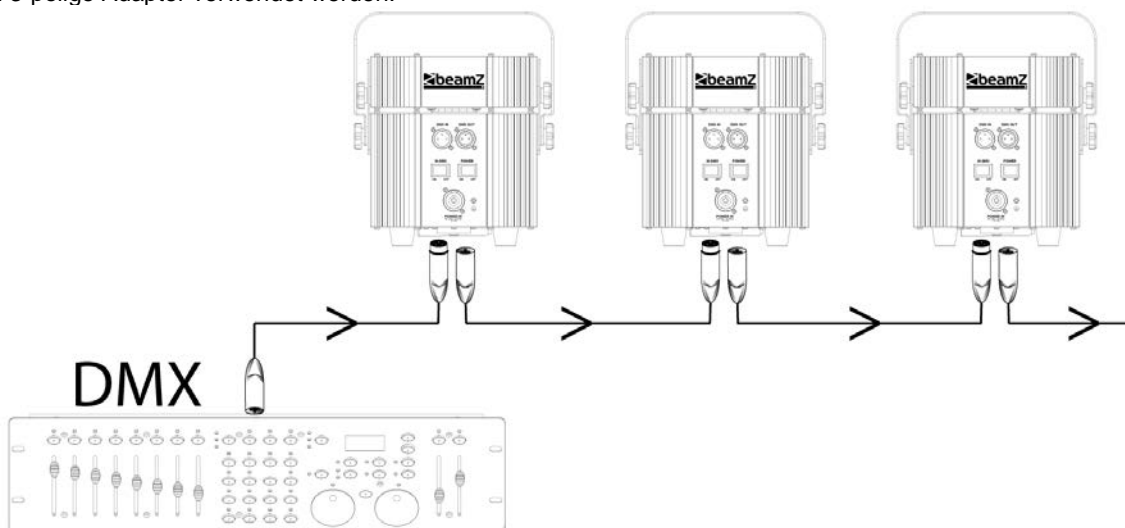
Drücken Sie die **Enter**-Taste, um das gewünschte Menü auszuwählen.

Sie können die Auswahl mit der Taste **Up** oder **Down**, ändern. Bestätigen Sie jede Auswahl mit der **Enter**-Taste.

Sie können jeden Modus durch Drücken der **Mode**-Taste verlassen. Die Funktionen werden später in dieser Gebrauchsanleitung beschrieben.

DMX-512 ANSCHLUSS

Wenn Sie einen standard Controller verwenden, können Sie den DMX-Ausgang des Controllers direkt mit dem DMX-Eingang des ersten Gerätes der DMX-Kette verbinden. Verbinden Sie immer einen Ausgang mit dem Eingang des nächsten Gerätes bis alle Geräte angeschlossen sind. Sollen DMX-Controller mit 5-polige XLR-Ausgängen angeschlossen werden, müssen 5-polige nach 3-polige Adapter verwendet werden.



3-Pin XLR 5-Pin XLR Konvertierung		
	3-Pin XLR Female (Out)	5-Pin XLR Male (In)
Masse / Schirm	Pin 1	Pin 1
Data (- signal)	Pin 2	Pin 2
Data (+ signal)	Pin 3	Pin 3
Nicht benutzt		Pin 4
Nicht benutzt		Pin 5

Achtung, Am letzten Gerät muss das DMX-Kabel durch einen Abschlusswiderstand abgeschlossen werden. Dazu wird ein XLR-Stecker in den DMX-Ausgang am letzten Gerät gesteckt, bei dem zwischen Signal (-) und Signal (+) ein 120 Ohm Widerstand eingelötet ist.

WIRE VERLIEREN DMX-EMPFANGER

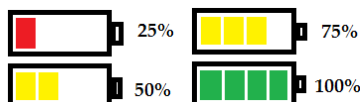
Die BBP60 Indirektleuchte mit einem Empfänger versehen ist.

1. Schließen Sie den Sender Sie DMX-Tabelle zu senden.

Für das Host-Produkt (e) (Ihre BBP60 Befestigung)

1. Stellen Sie den drahtlosen DMX-Schalter "ON" (EIN). Jetzt können Sie die drahtlose BBP60 betreiben.
2. Wenn Sie die BBP60 mit DMX-Kabel angeschlossen, um den drahtlosen DMX-Schalter „OFF“ (aus) einzurichten. Jetzt können Sie BBP60 steuern die DMX-Kabel.

BATTERIE-LEBEL-INDIKATOR



Die Batterielederdaueranzeige ist der LCD-Bildschirm auf der Vorderseite des BBP60. Die Anzeige zeigt an, wie viel Batterielederdauer zur Verfügung steht. Die Zeichnung unten gibt einen Schlüssel zum Lesen der Batterielederdaueranzeigen.

AKKUBETRIEB

Bevor das Gerät zum ersten Mal netzunabhängig betrieben werden kann, muss der Akku vollständig geladen werden.

1. Schalten Sie das Gerät mit dem Netzschalter ein. Die Akku-Betriebszeit hängt vom Betriebsmodus und der Umgebungstemperatur ab. Schalten Sie das Gerät nach dem Betrieb mit dem Netzschalter aus.
2. Zum Laden des Akkus schließen Sie das Gerät über den Netzstecker an eine Steckdose an. Das Gerät kann während des Ladevorgangs betrieben werden. Auch können Sie den Akku im Flightcase aufladen bbp60 hat einen speziellen Ladestecker auf der Unterseite, der direkt mit dem Flightcase verbunden ist. Sie verbinden das Flightcase mit dem Netzstecker am Gehäuse. Die Aufladung der Batterie beginnt.
3. Dank der integrierten Ladeschutzschaltung kann der Akku nicht überladen werden. Trennen Sie dennoch nach dem Aufladen das Gerät vom Netz. Anderenfalls wird auch bei ausgeschaltetem Gerät stets ein geringer Strom verbraucht.
4. Das Gerät erwärmt sich während des Ladevorgangs; dies ist ein normaler Vorgang.
5. Laden Sie einen komplett entladenen Akku möglichst bald auf, um eine Beschädigung des Akkus durch Tiefentladung zu vermeiden. Lagern Sie das Gerät nicht mit komplett entladenelem Akku und laden Sie bei langer Lagerung regelmäßig nach.

FEHLERBEHEBUNG

Dieses Kapitel beschreibt einige häufige Probleme, die während des Betriebs machen können und bietet einige Vorschläge zur einfachen Fehlerbehebung:

Symptom	Mögliche Ursache	Remedies
Kein Licht von gerät oder Ventilatoren funktionieren nicht.	Stromversorgung Problem, Wie z. B. durchgebrannte Sicherung, Fehlerhafter Stecker oder Beschädigtes Kabel.	Überprüfen Sie anderen Leuchte. Überprüfen Sie alle Stromanschlüsse und Kabel. Befestigungssicherung ersetzen.
Gerät reagiert nicht auf Musik-Beat	Tonaktivierung deaktiviert. Klingt zu geringer Empfindlichkeit gegenüber der Schallquelle .	Vergewissern Sie sich, dass das Gerät nicht mit einem DMX-Signal verbunden ist. Klangaktivierung einstellen Mikrofonempfindlichkeit. Tippen Sie auf das Mikrofon, um die korrekte Funktionalität zu überprüfen. Das Gerät sollte, wenn sie in Ton Aktivierungsmodus reagieren.
Einer der Steuerkanäle reagiert nicht oder antwortet nur intermittierend.	DMX setup or DMX link fault. Beschädigter Schrittmotor oder Kabelanschluss.	Siehe nächster Abschnitt. Kontaktieren Sie Ihren Beamz von Tronios autorisiert Verteiler oder Service-Center für die Unterstützung.
Gerät reagiert nicht auf DMX-Steuerung.	Falsche DMX-Adressierung. Störung der DMX-Verbindung durch beschädigten Stecker oder Kabel oder potenzielle Störungen durch Nähe zu einer Hochspannungsinstallation.	Stellen Sie sicher, dass die DMX-Adresse der Gerät mit der auf dem DMX-Steuergerät eingestellten Adresse übereinstimmt. Überprüfen Sie, ob das Gerät DMX alle DMX-Kabel und Anschlüsse überprüft. Stellen Sie sicher, dass die DMX-Verbindung beendet ist. Überprüfen Sie, dass alle Komponenten auf DMX-Link Standard-DMX-Polarität verwenden. Versuchen, das Gerät mit einer anderen DMX-Steuervorrichtung zu steuern.

REINIGUNG UND WARTUNG

Der inneren und äußeren optischen Linsen und / oder Spiegel müssen regelmäßig gereinigt werden, um die Lichtleistung zu optimieren. Die Häufigkeit der Reinigung hängt von der Umgebung, in der das: feuchte, verrauchte und besonders verschmutzte Umgebung führen zu größerer Verschmutzung auf den Linsen des Geräts verursachen.

- Stellen Sie sicher, dass der Bereich unterhalb des Geräts befinden sich keine unbefugten Personen im Servicefall.
- Alle Schrauben, mit denen das Gerät oder Geräteteile montiert sind, müssen fest sitzen und dürfen nicht korrodiert sein.
- An Gehäuse, Befestigungen und Montageort (Decke, Abhängung, Traverse) dürfen keine Verformungen sichtbar sein.
- Die elektrischen Anschlussleitungen dürfen keinerlei Beschädigungen, Materialalterung (z.B. poröse Leitungen) oder Ablagerungen aufweisen. Um den Laser vor Überhitzung Lüfter und Lüftungsschlitze sollten monatlich gereinigt werden, zu schützen.
- Das Objektiv und Spiegel sollten regelmäßig gereinigt werden. Diese Zeit ist abhängig von der vorhandenen Schmutz.
- Reinigen Sie es nur mit einem trockenen Tuch.
- Auf keinen Fall Alkohol oder irgendwelche Lösungsmittel zur Reinigung verwenden!
- Reinigen Sie das Objektiv sauber mindestens einmal im Monat.
- Änderungen, ohne dass Sie den vom Hersteller geändert informieren.

ACHTUNG: Wartungs- und Servicearbeiten sind ausschließlich dem autorisierten Fachhandel vorbehalten!

Enhorabuena por la compra de este efecto de luces Beamz. Por favor lea atentamente este manual antes de usar el aparato para disfrutar al completo de sus prestaciones.

Seguir las instrucciones le permite no invalidar la garantía. Tome todas las precauciones para evitar que se produzca fuego o una descarga eléctrica. Las reparaciones solo deben llevarse a cabo por técnicos cualificados para evitar descargas eléctricas. Guarde el manual para futuras consultas. Antes de usar el aparato, por favor pida consejo a un profesional. Cuando el aparato se enciende por primera vez, suele sentirse cierto olor. Esto es normal y desaparece al poco tiempo.

- Este aparato contiene piezas que llevan voltaje. Por lo tanto NO abra la carcasa.
- No coloque objetos metálicos o vierta líquidos dentro del aparato. Podría producir descargas eléctricas y fallos en el funcionamiento.
- No coloque el aparato cerca de fuentes de calor tipo radiadores, etc. No coloque el aparato en superficies vibratorias. No tape los agujeros de ventilación.
- Este aparato no está preparado para un uso continuado.
- Tenga cuidado con el cable de alimentación y no lo dañe. Un daño o defecto en el cable de alimentación puede producir una descarga eléctrica o fallo en el funcionamiento.
- Cuando desconecte el aparato de la toma de corriente, siempre tire de la clavija, nunca del cable.
- No enchufe o desenchufe el aparato con las manos mojadas.
- Si la clavija y/o el cable de alimentación están dañados, necesitan reemplazarse por un técnico cualificado.
- Si el aparato está dañado de modo que puedan verse sus partes internas, NO conecte el aparato a la toma de corriente y NO lo encienda. Contacte con su distribuidor. NO conecte el aparato a un reostato o dimmer.
- Para evitar un fuego o peligro de descarga, no exponga el aparato a la lluvia y a la humedad.
- Todas las reparaciones deben llevarse a cabo exclusivamente por técnicos cualificados.
- Conecte el aparato a una toma de corriente con toma de tierra (220-240Vca/50Hz) protegida por un fusible de 10-16A.
- Durante una tormenta o si el aparato no va a usarse durante un periodo largo de tiempo, desconéctelo de la toma de corriente. La regla es: Desconéctelo si no lo va a usar.
- Si el aparato no se ha usado en mucho tiempo puede producirse condensación. Deje el aparato a temperatura ambiente antes de encenderlo.
- Nunca utilice el aparato en ambientes húmedos o en el exterior.
- Durante el funcionamiento, la carcasa se calienta muchísimo. No la toque durante el funcionamiento o inmediatamente después.
- Para prevenir accidentes en las empresas, debe seguir las directrices aplicables y seguir las instrucciones.
- Asegure el aparato con una cadena de seguridad extra si el aparato se monta en un techo. Utilice un sistema de truss con ganchos. Asegúrese de que nadie permanece en el área de montaje. Monte el efecto a una distancia de al menos 50cm de materiales inflamables y deje un espacio de al menos 1 metro a cada lado para permitir que haya suficiente ventilación.
- Este aparato contiene LEDs de alta luminosidad. No mire a la luz del LED para evitar daños en su vista.
- No lo apague y encienda repetidamente. Esto acorta su tiempo de vida.
- Mantenga el aparato fuera del alcance de los niños. No deje el aparato sin vigilancia.
- No utilice sprays limpiadores para limpiar los interruptores. Los residuos de estos sprays producen depósitos de polvo y grasa. En caso de mal funcionamiento, siempre consulte a un profesional.
- Solo maneje el aparato con las manos limpias.
- No fuerce los controles.
- Si el aparato se ha caído, siempre haga que lo verifique un técnico cualificado antes de encenderlo otra vez.
- NO utilice productos químicos para limpiar el aparato. Dañan el barniz. Tan solo límpielo con un trapo seco.
- Manténgalo lejos de equipos electrónicos ya que pueden producir interferencias.
- Solo utilice recambios originales para las reparaciones, de otro modo pueden producirse daños serios y/o radiaciones peligrosas.
- Apague el aparato antes de desconectarlo de la toma de corriente y/o de otros equipos. Desconecte todos los cables y conexiones antes de mover el aparato.
- Asegúrese de que el cable de alimentación no puede dañarse cuando la gente lo pise. Compruebe el cable de alimentación antes de cada uso por si hay daños o defectos.
- El voltaje de funcionamiento es 220-240Vca/50Hz. Compruebe que la toma de corriente coincide. Si tiene que viajar, asegúrese de que el voltaje del país es el adecuado para este aparato.
- Guarde el embalaje original para poder transportar el aparato en condiciones seguras.



Esta señal advierte al usuario de la presencia de alto voltaje en el interior de la carcasa y que es de la suficiente magnitud como para producir una descarga eléctrica.



Esta señal advierte al usuario de que el manual contiene instrucciones importantes que han de leerse y seguirse al pie de la letra.



NO MIRE DIRECTAMENTE A LA S LENTES. Puede dañarle la vista. Las personas propensas a tener ataques epilépticos deben tener en cuenta los efectos que este efecto de luces puede tener en ellos.

Este aparato ha obtenido el certificado CE. Está prohibido hacer cambios en el aparato. ¡Invalidaría el certificado CE y su garantía!

NOTA: Para asegurarse de que el aparato funcione correctamente, debe usarse en ambientes a una temperatura de entre 5°C/41°F y 35°C/95°F.



Los productos electrónicos no pueden tirarse a la basura normal. Por favor lleve este producto a un centro de reciclaje. Pregunte a la autoridad local en caso de duda. Las especificaciones son generales. Los valores actuales pueden variar de una unidad a otra. Las especificaciones pueden variar sin previo aviso.

Nunca intente reparar usted mismo este equipo. Esta manipulación anulará la garantía. No realice cambios en la unidad. Esta manipulación anulará la garantía. Esta garantía no es aplicable en caso de accidente o daños ocasionados por uso indebido del aparato o mal uso del mismo. Beamz no se hace responsable de daños personales causados por el no seguimiento de las normas e instrucciones de este manual. Esto es aplicable también a los daños de cualquier tipo.

INSTRUCCIONES DE DESEMBALAJE

ATENCIÓN! Inmediatamente después de recibir un dispositivo, desempaque cuidadosamente la caja de cartón, compruebe el contenido para asegurarse de que todas las partes están presentes, y se han recibido en buenas condiciones. Notifique inmediatamente al transportista y conserve el material de embalaje para la inspección por si aparecen daños causados por el transporte o el propio envase muestra signos de mal manejo. Guarde el paquete y todos los materiales de embalaje. En el caso de que deba ser devuelto a la fábrica, es importante que el aparato sea devuelto en la caja de la fábrica y embalaje originales.

Si el aparato ha estado expuesto a grandes cambios de temperatura (tras el transporte), no lo enchufe inmediatamente. La condensación de agua producida podría dañar su aparato. Deje el dispositivo apagado hasta que se haya alcanzado la temperatura ambiente..

FUENTE DE ALIMENTACIÓN

En la etiqueta de la parte trasera del controlador se indica el tipo de fuente de alimentación que debe ser conectado. Compruebe que la tensión de red corresponda a esto, todos los otros voltajes a la especificada, puede causar efectos irreparable. El controlador también debe estar conectado directamente a la red para ser utilizado. No en ninguna fuente de alimentación o dimmer ajustable.



Conecte siempre el producto a un circuito protegido (disyuntor o fusible). Asegúrese de que el producto tiene una toma de tierra adecuada para evitar el riesgo de electrocución o incendio.

INSTALACIÓN



PRECAUCIÓN: Por favor, considere las normas nacionales respectivas durante la instalación! La instalación sólo debe ser realizada por un empleado autorizado o distribuidores!

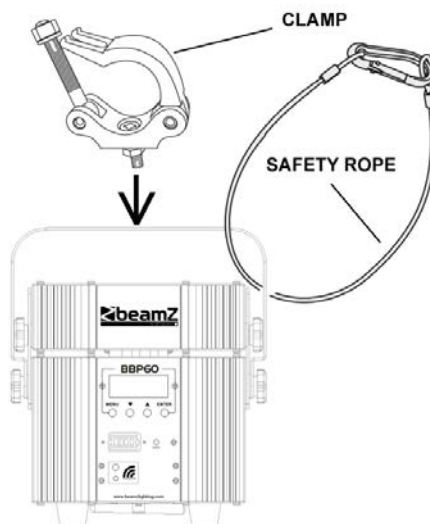


Atención:

- La instalación del aparato debe ser de una manera que pueda soportar 10 veces su peso durante 1 hora sin sufrir deformaciones dañosas.
- La instalación siempre debe ser efectuada con un accesorio de seguridad secundario, por ejemplo, una red de anclaje adecuada. Este accesorio de seguridad secundario debe ser construido de una manera que ninguna parte de la instalación puede caer si falla el accesorio principal.
- Asegúrese de que el área por debajo del sitio de instalación está libre de personas ajenas durante el montaje, desmontaje y reparación.
- El operador tiene que asegurarse de que las instalaciones de seguridad y de máquinas son inspeccionadas por un perito antes de poner en funcionamiento por primera vez y antes de tomar otra puesta en marcha.
- El operador tiene que asegurarse de que las instalaciones de seguridad y de máquinas son inspeccionadas por un especialista una vez por año.
- El aparato debe instalarse en la posición en la que las personas no puedan llegar y donde las personas puedan caminar o sentarse.



PRECAUCIÓN: Al instalar el aparato, asegúrese de que no hay material altamente inflamable (artículos de decoración, etc.) en una distancia mínima de 0,5 metros.



PANEL DE CONTROL (DISPLAY)



MODE UP DOWN ENTER



The El panel de control ofrece varias características: puede simplemente asignar la dirección de inicio, ejecutar el programa de pre-programado o hacer un reset.

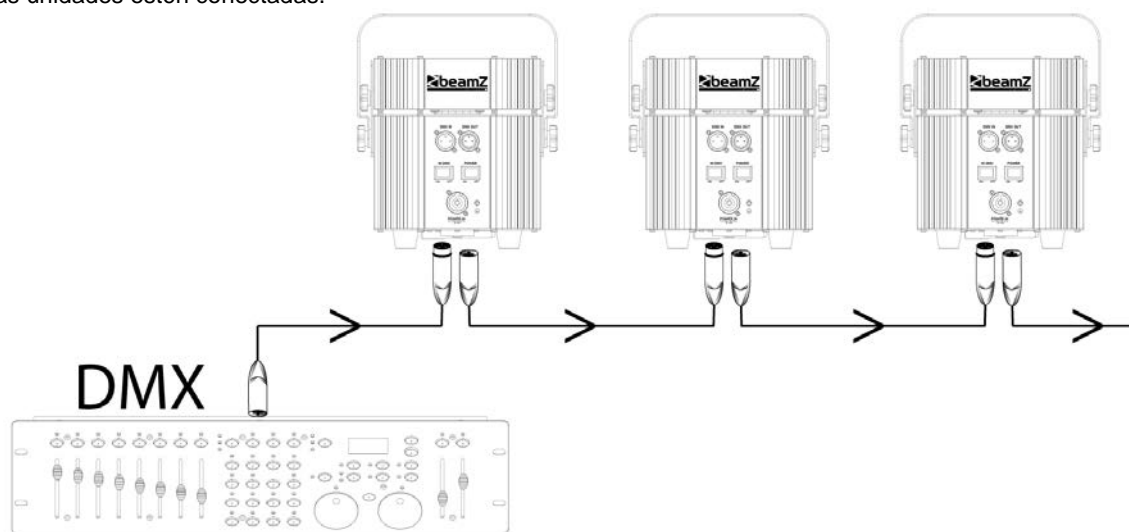
Al menú principal se accede pulsando la tecla **Modo**, se navega por el submenú pulsando arriba o abajo.

Pulse el botón **Enter** para seleccionar el menú deseado. Usted puede cambiar la selección pulsando arriba o abajo. Confirme cada selección pulsando la tecla Intro.

Puede abandonar cada modo pulsando el botón **Modo**. Las funciones previstas se describen más adelante en este manual.

CONEXIÓN DMX-512

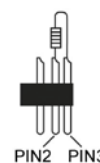
Si está utilizando un controlador DMX estándar, puede conectar la salida DMX del controlador directamente a la entrada DMX de la primera unidad en la cadena DMX. Siempre conecte la salida de una unidad con la entrada de la siguiente unidad hasta que todas las unidades estén conectadas.



Conectores 5-pin XLR DMX.

Algunos fabricantes utilizan cables de datos de 5-pin DMX-512 para la transmisión de datos en lugar de 3-pin. Los aparatos DMX de 5-pin se pueden implementar en una línea DMX de 3 pines. Al insertar cables de datos standards de 5 pines en una línea de 3 pines un adaptador de cable debe ser utilizado. La tabla a continuación detalla una conversión adecuada de cable.

Conversión 3-Pin XLR to 5-Pin XLR		
Conductor	3-Pin XLR Hembra (Out)	5-Pin XLR Macho (In)
Masa / Tierra	Pin 1	Pin 1
Enviar datos (- señal)	Pin 2	Pin 2
Datos True (+ señal)	Pin 3	Pin 3
No se utiliza		Pin 4 – No se utiliza
No se utiliza		Pin 5 – No se utiliza



En el último aparato, el cable DMX tiene que finalizar. Soldar un resistor de 120 ohmios entre la señal (-) y la señal (+) en un conector XLR de 3 pines, que conectará a la salida DMX del último aparato en la cadena.

TRANSMISOR DMX INALÁMBRICO

El Uplighter BBP50 ofrece un receptor de control inalámbrico.

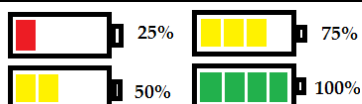
Para el producto transmisor:

1. Conecte el transmisor en su controlador de luz DMX.

Para el receptor/receptores (Your BBP60 fixture)

1. Coloque el interruptor DMX inalámbrico en "ON". Ahora puede controlar el BBP60 inalámbrico.
2. Si usted conecta el BBP60 con un cable DMX, debe fijar DMX Wireless en "OFF". Ahora puede controlar el BBP60 con el cable.

INDICADOR DE VIDA DE LA BATERÍA



El indicador de duración de la batería aparece en la pantalla LCD en la parte frontal del BBP60. El indicador muestra la cantidad de batería que queda disponible. El siguiente dibujo proporciona una clave para leer los indicadores de duración de la batería.

OPERATIVA CON BATERÍA RECARGABLE

Antes de trabajar con la unidad asegúrese de cargar completamente la batería.

1. Encienda la unidad con el interruptor general. El tiempo de trabajo de la batería depende del modo de trabajo y la temperatura ambiente. Cuando finalice el trabajo asegúrese de desconectar el interruptor general.
2. Para cargar la batería, conecte el dispositivo a una toma de corriente a través del conector de alimentación. El dispositivo puede utilizarse durante el procedimiento de carga. También se puede cargar la batería en el flightcase, cada bbb60 tiene un conector de carga especial en la parte inferior que se conecta directamente a la flightcase. Conecta el flightcase con el conector de alimentación del maletín. La carga de la batería comenzará.
3. El aparato incorpora un circuito protector de carga que previene la sobrecarga de batería. De todas formas es preferible desconectar de la toma de corriente al finalizar la carga. En caso contrario se generará un pequeño consumo de energía incluso con el equipo apagado.
4. El aparato se calienta durante la carga. Es normal.
5. Para evitar daños en la batería descargada es interesante cargar siempre después de su uso. No guarde la unidad con la batería completamente descargada y recargue de tiempo en tiempo si va a guardar la unidad durante un periodo prolongado.

SOLUCIÓN DE PROBLEMAS

Esta sección describe algunos problemas comunes que pueden ocurrir durante la operación y ofrece algunas sugerencias para resolver problemas sencillos:

Síntoma	Causa Potencial	Remedios
No hay luz o los ventiladores no funcionan.	fusible fundido, conector defectuoso o cable dañado.	Compruebe si el indicador de energía del dispositivo LED está encendido Compruebe todas las conexiones de alimentación y cables. Cambiar el fusible.
No reacciona al ritmo de la música	Activación por sonido desactivada. Sensibilidad de activación del sonido muy baja.	Asegúrese de que no está conectado a una señal DMX. Ajustar la sensibilidad de activación de sonido. Toque en el micrófono para comprobar su correcto funcionamiento.
Uno de los canales de control no responde, o sólo responde intermitentemente.	Fallo en la configuración DMX o enlace Daños en el motor o el paso conexión de cable entre la cabeza y el cuerpo.	Véase la sección siguiente. Contacte a su distribuidor Beamz autorizado por Tronios o centro de servicio de asistencia.
No responde a control DMX	Direccionamiento DMX incorrecto. Fallo en la línea DMX, debido a conector dañado o cable, o interferencia de proximidad a una instalación de alto voltaje	Asegúrese que corresponden las direcciones DMX con la dirección establecida en el dispositivo de control DMX. Compruebe todos los cables y conexiones DMX. Asegúrese de que el enlace DMX se termina. Que todos los componentes en línea DMX utilizan polaridad DMX estándar. Intentar controlar el dispositivo con otro dispositivo de control DMX.

LIMPIEZA

La limpieza de lentes y / o espejos internos y externos debe ser llevada a cabo periódicamente para optimizar la salida de luz. La frecuencia de limpieza depende del entorno en el que funcione el aparato: humedad, a humo o especialmente sucios rodea puede causar una mayor acumulación de polvo en las ópticas de la unidad.

- Asegúrese de que el área por debajo del sitio de instalación está libre de personas ajenas durante la reparación.
- Carcasas, fijaciones y puntos de instalación (techos, armaduras, suspensiones) deberán estar totalmente libres de ninguna deformación.
- Los cables de red deberán estar en perfecto estado y deberán reemplazarse inmediatamente cuando se detecta incluso un pequeño problema.
- Para proteger el aparato de sobrecalentamiento, los ventiladores de refrigeración (si las hubiera) y las aberturas de ventilación deberán limpiarse mensualmente.
- El interior del aparato debería ser limpiado anualmente usando una aspiradora o chorro de aire.
- Limpie con un paño suave utilizando un fluido normal de limpieza de cristales.
- Seque siempre las piezas con cuidado.
- Limpie las ópticas externas al menos cada mes. Limpie los elementos ópticos internos al menos cada 30/60 días..

ATENCIÓN: Se recomienda encarecidamente que la limpieza interna sea llevada a cabo por trabajador cualificado!

Nous vous remercions d'avoir acheté un appareil Beamz. Veuillez lire la présente notice avant l'utilisation afin de pouvoir en profiter pleinement.

Veuillez lire la notice avant utilisation. Respectez impérativement les instructions afin de continuer à bénéficier de la garantie. Prenez toutes les précautions nécessaires pour éviter tout incendie ou décharge électrique. Seul un technicien spécialisé peut effectuer les réparations. Nous vous conseillons de conserver la présente notice pour pouvoir vous y reporter ultérieurement.

- Avant d'utiliser l'appareil, prenez conseil auprès d'un spécialiste. Lors de la première mise sous tension, il est possible qu'une odeur soit perceptible. C'est normal, l'odeur disparaîtra peu de temps après.
- L'appareil contient des composants porteurs de tension. **N'OUVREZ JAMAIS** le boîtier.
- Ne placez pas des objets métalliques ou du liquide sur l'appareil, cela pourrait causer des décharges électriques et dysfonctionnements.
- Ne placez pas l'appareil à proximité de sources de chaleur, par exemple radiateur. Ne positionnez pas l'appareil sur une surface vibrante. N'obtenez pas les ouïes de ventilation.
- L'appareil n'est pas conçu pour une utilisation en continu.
- Faites attention au cordon secteur, il ne doit pas être endommagé.
- Lorsque vous débranchez l'appareil de la prise secteur, tenez-le par la prise, ne tirez jamais sur le cordon.
- Ne branchez pas et ne débranchez pas l'appareil avec les mains mouillées.
- Seul un technicien spécialisé peut remplacer la fiche secteur et / ou le cordon secteur.
- Si l'appareil est endommagé et donc les éléments internes sont visibles, ne branchez pas l'appareil, **NE L'ALLUMEZ PAS**. Contactez votre revendeur. **NE BRANCHEZ PAS** l'appareil à un rhéostat ou un dimmer.
- Pour éviter tout risque d'incendie ou de décharge électrique, n'exposez pas l'appareil à la pluie ou à l'humidité.
- Seul un technicien habilité et spécialisé peut effectuer les réparations
- Branchez l'appareil à une prise 220-240 V/50 Hz avec terre, avec un fusible 10-16 A.
- Pendant un orage ou en cas de non utilisation prolongée de l'appareil, débranchez l'appareil du secteur.
- En cas de non utilisation prolongée de l'appareil, de la condensation peut être créée. Avant de l'allumer, laissez l'appareil atteindre la température ambiante. Ne l'utilisez jamais dans des pièces humides ou en extérieur.
- Pendant le fonctionnement, le boîtier est très chaud.
- Ne le touchez pas pendant le fonctionnement et juste après.
- Afin d'éviter tout accident en entreprise, vous devez respecter les conseils et instructions.
- Assurez l'appareil avec une élingue de sécurité s'il doit être monté au plafond. Utilisez un système de crochets. Assurez-vous que personne ne puisse se trouver sous l'appareil. Il doit être monté à 50 cm au moins de tout matériau inflammable et à un mètre au moins de toute surface pour garantir son bon refroidissement.
- Cet appareil contient des LEDs de grande intensité. Ne regardez pas directement les LEDs pour éviter tout troubles de la vision.
- N'allumez pas et n'éteignez pas l'appareil de manière répétée. Cela réduit sa durée de vie.
- Conservez l'appareil hors de la portée des enfants. Ne laissez pas l'appareil sans surveillance.
- N'utilisez pas d'aérosols pour nettoyer les interrupteurs. Les résidus créent des dépôts et de la graisse. En cas de dysfonctionnement, demandez conseil à un spécialiste.
- Ayez toujours les mains propres pour utiliser l'appareil.
- Ne forcez pas les réglages.
- Si l'appareil est tombé, faites-le toujours vérifier par un technicien avant de le rallumer.
- Pour nettoyer l'appareil, n'utilisez pas de produits chimiques qui abîment le revêtement, utilisez uniquement un tissu sec.
- Tenez toujours l'appareil éloigné de tout équipement électrique pouvant causer des interférences.
- Pour toute réparation, il faut impérativement utiliser des pièces d'origine, sinon il y a risque de dommages graves et / ou de radiations dangereuses.
- Eteignez toujours l'appareil avant de le débrancher du secteur et de tout autre appareil. Débranchez tous les cordons avant de déplacer l'appareil.
- Assurez-vous que le cordon secteur n'est pas abîmé si des personnes viennent à marcher dessus. Avant toute utilisation, vérifiez son état.
- La tension d'alimentation est de 220-240 V~/50 Hz. Vérifiez la compatibilité. Si vous voyagez, vérifiez que la tension d'alimentation du pays est compatible avec l'appareil.
- Conservez l'emballage d'origine pour pouvoir transporter l'appareil en toute sécurité.



CE symbole doit attirer l'attention de l'utilisateur sur les tensions élevées présentes dans le boîtier de l'appareil, pouvant engendrer une décharge électrique.



CE symbole doit attirer l'attention de l'utilisateur sur des instructions importantes détaillées dans la notice, elles doivent être lues et respectées.



NE REGARDEZ PAS DIRECTEMENT LA LENTILLE. Cela peut créer des troubles de la vision. Les personnes photosensibles et épileptiques doivent prendre en compte les effets que ce jeu de lumière peut causer.

Cet appareil porte le symbole CE. Il est interdit d'effectuer toute modification sur l'appareil. La certification CE et la garantie deviendraient caduques !

NOTE: Pour un fonctionnement normal de l'appareil, il doit être utilisé en intérieur avec une plage de température maximale autorisée entre 5°C/41°F et 35°C/95°F.



Ne jetez pas les produits électriques dans la poubelle domestique. Déposez-les dans une déchetterie. Demandez conseil aux autorités locales ou à votre revendeur. Données spécifiques. Les valeurs actuelles peuvent légèrement varier d'un appareil à l'autre. Tout droit de modification réservé sans notification préalable.

N'essayez pas de réparer l'appareil vous-même. Vous perdriez tout droit à la garantie. Ne faites aucune modification sur l'appareil. Vous perdriez tout droit à la garantie. La garantie deviendrait également caduque en cas d'accidents ou dommages causés par une utilisation inappropriée de l'appareil ou un non respect des consignes présentes dans cette notice. Beamz ne pourrait être tenu responsable en cas de dommages matériels ou corporels causés par un non respect des consignes de sécurité et avertissements. Cela est également valable pour tous les dommages quelle que soit la forme.

DEBALLAGE

ATTENTION ! Immédiatement après réception, vérifiez le contenu du carton et assurez-vous que tous les éléments sont bien présents et en bon état. Si besoin, faites les réserves nécessaires si le matériel ou les cartons sont endommagés. Si l'appareil doit être retourné, faites-le dans l'emballage d'origine.

Si l'appareil a été exposé à des fluctuations importantes de températures (par exemple après le transport), ne l'allumez pas immédiatement. De la condensation peut survenir. Laissez l'appareil éteint le temps qu'il atteigne la température ambiante.

ALIMENTATION

Vous trouvez sur l'étiquette à l'arrière de l'appareil, le type d'alimentation à utiliser. Vérifiez que la tension d'alimentation corresponde à celle mentionnée. Toute autre alimentation peut endommager l'appareil. Reliez l'appareil au secteur, il est prêt à être utilisé. En aucun cas, vous ne devez utiliser de dimmer ou d'alimentation réglable.



Connectez toujours l'appareil à un circuit protégé (disjoncteur ou fusible). Assurez-vous que l'appareil soit correctement relié à la terre afin d'éviter tout risque d'électrocution ou d'incendie.

INSTALLATION



ATTENTION : Lors de l'installation, tenez compte des normes nationales respectives ! Seuls des revendeurs et installateurs habilités peuvent procéder à l'installation.

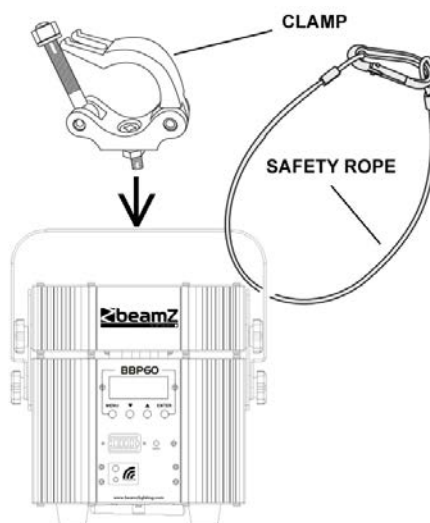


Attention:

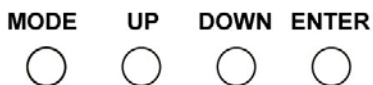
- L'installation de l'appareil doit être pensée et réalisée de telle sorte que le support de fixation puisse supporter 10 fois le poids de l'appareil pendant une heure sans aucune déformation.
- L'installation doit toujours être assurée par un second système de fixation, par exemple un filet ou une élingue. Ce second système doit être conçu de telle sorte que aucun élément de l'installation ne puisse tomber si la fixation principale venait à rompre.
- Assurez-vous que la zone sous l'emplacement de montage ne puisse pas accueillir de public pendant le montage, le démontage et l'utilisation.
- Le responsable du fonctionnement doit faire approuver par un expert les conditions d'installation et d'utilisation de l'appareil avant la première mise en service et après tout changement.
- Le responsable du fonctionnement doit faire approuver par un expert les conditions d'installation et d'utilisation de l'appareil, une fois par an.
- L'appareil doit être installé de telle sorte que personne ne puisse l'atteindre, passer dessous ou être assis.



ATTENTION : Lorsque vous installez l'appareil, assurez-vous qu'il n'y a aucun matériau fortement inflammable (décorations par exemple) à 0,5 mètres au moins de l'appareil.



AFFICHAGE



Le panneau de commande vous permet d'effectuer différents réglages : réglage de l'adresse de démarrage, gestion d'un programme pré-programmé, lancer un Reset. Le menu principal est accessible en appuyant sur la touche **Mode**, vous pouvez naviguer dans le sous-menu avec la touche **Up** ou **Down**.

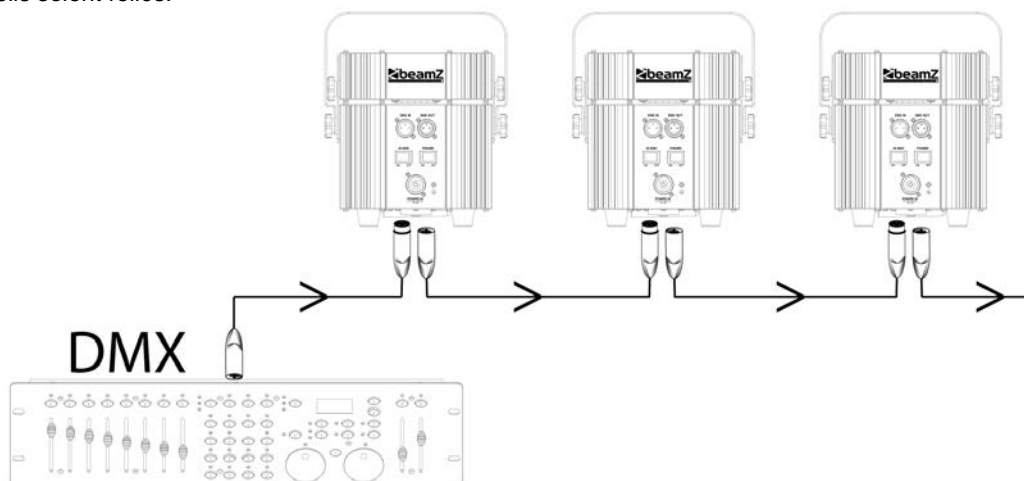
Appuyez sur la touche **Enter** pour choisir le menu souhaité.

Vous pouvez modifier la sélection en appuyant sur la touche **Up** ou **Down**. Confirmez la sélection en appuyant sur la touche **Enter**.

Vous pouvez quitter un mode en appuyant sur la touche **Mode**. Les fonctions fournies sont décrits plus loin dans ce manuel.

BRANCHEMENT DMX-512

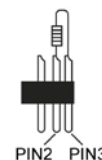
Si vous utilisez un contrôleur DMX classique, vous pouvez relier la sortie DMX du contrôleur directement à l'entrée DMX du premier appareil dans une chaîne DMX. Reliez toujours la sortie d'un appareil à l'entrée de l'appareil suivant jusqu'à ce que tous les appareils soient reliés.



Connecteurs DMX XLR 5 pôles

Certains fabricants utilisent des cordons de transmission DMX-512 5 pôles pour la transmission des données à la place de cordons 3 pôles. Des appareils avec connexion DMX 5 pôles peuvent être utilisés dans une ligne DMX 3 pôles. Si vous utilisez des câbles de données 5 pôles dans une ligne 3 pôles, vous devez utiliser un adaptateur. Le tableau ci-dessous présente la modification du câble.

Conversion XLR 3 pôles en XLR 5 pôles		
Conducteur	XLR 3 P femelle (Out)	XLR 5 pôles mâle (In)
Terre / blindage	Pin 1	Pin 1
Data - (- signal)	Pin 2	Pin 2
Data + (+ signal)	Pin 3	Pin 3
Non utilisé		Pin 4 - ne pas utiliser
Non utilisé		Pin 5 - ne pas utiliser



Sur le dernier appareil, le cordon DMX doit être terminé par un bouchon. Soudez une résistance 120 ohms entre signal (-) et signal (+) sur une prise XLR 3 pôles et branchez-la à la sortie DMX du dernier appareil de la chaîne.

TRANSMETTEUR DMX SANS FIL

Le BBP60 Uplighter dispose d'un récepteur sans fil.

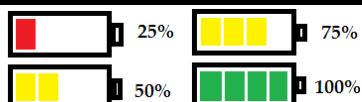
Pour l'émetteur

1. Reliez l'émetteur à votre contrôleur DMX.

Pour le(s) récepteur(s) (le BBP60)

1. Mettez l'interrupteur DMX sur "ON". Vous pouvez maintenant gérer le BBP60 sans fil.
2. Si vous utilisez un cordon DMX, vous devez régler sur "OFF". Vous pouvez maintenant gérer le BBP60 avec le cordon.

TEMOIN DUREE DE VIE BATTERIE



Le témoin de durée de vie de la batterie est sur l'écran LCD sur la face avant du BBP60. L'affichage montre la durée de vie restante de la batterie. Le schéma ci-dessous explique l'affichage.

FUNCTIONNEMENT BATTERIE RECHARGEABLE

Avant de faire fonctionner l'appareil pour la première fois, il faut charger l'accumulateur complètement.

1. Allumez l'appareil avec l'interrupteur secteur. La durée de fonctionnement de l'accumulateur dépend du mode de fonctionnement et de la température ambiante. Après le fonctionnement, éteignez l'appareil.
2. Pour charger la batterie, reliez l'appareil à une prise secteur ; l'appareil peut fonctionner pendant la charge. Vous pouvez également charger la batterie dans le flightcase, chaque BBP60 dispose d'un connecteur spécifique de charge sur sa base qui se branche directement dans le flightcase. Vous pouvez relier le flightcase à la prise secteur, la charge de la batterie démarre.
3. L'appareil est doté d'un circuit de protection pendant la charge pour éviter une surcharge de l'accumulateur. Après la charge, il est impératif de débrancher l'appareil du secteur. Sinon, il y a une faible consommation.
4. L'appareil chauffe pendant la charge, c'est un phénomène normal.
5. Pour éviter d'endommager l'accumulateur par une charge trop importante, rechargez un accumulateur complètement déchargé le plus rapidement possible. Ne stockez pas l'appareil avec un accumulateur complètement déchargé et pensez à le charger régulièrement en cas de non utilisation prolongée.

PROBLEMES

Ce tableau décrit certains problèmes fréquents pouvant survenir pendant le fonctionnement et les solutions possibles pour y remédier.

Problème	Cause possible	solutions
Pas de lumière venant de l'appareil, les ventilateurs ne fonctionnent pas.	Problème d'alimentation : fusible fondu, connecteur défectueux, câble endommagé	Vérifiez si la LED témoin de fonctionnement sur l'appareil brille. Vérifiez toutes les connexions et tous les câbles secteur. Remplacez le fusible.
L'appareil ne réagit pas au rythme de la musique.	La gestion audio est désactivée. La sensibilité est trop basse pour la source de musique.	Assurez-vous que l'appareil n'est pas relié à un signal DMX. Réglez la sensibilité du micro pour une gestion audio. Vérifiez le fonctionnement du microphone : l'appareil devrait réagir en mode gestion audio.
Un des canaux de commande ne répond pas ou répond par intermittence.	Erreur du réglage DMX ou de la connexion DMX. Moteur pas à pas endommagé, cordon entre la tête et le corps de l'appareil défectueux.	Voir point suivant. Contactez votre revendeur Tronios ou le service après-vente.
L'appareil ne répond pas à la gestion DMX.	Adressage DMX incorrect. Erreur dans la connexion DMX à cause d'un connecteur, d'un cordon défectueux ou interférences causées par une installation haute tension à proximité.	Assurez-vous que l'adresse DMX de l'appareil corresponde à l'adresse DMX de l'appareil. Vérifiez tous les câbles et branchements DMX. Vérifiez que tous les composants de la chaîne DMX utilisent la polarité DMX standard. Essayez d'utiliser l'appareil avec un autre contrôleur DMX. Si l'appareil est trop près d'une installation haute tension, déplacez-le ou mettez à la terre.

NETTOYAGE

Le nettoyage des lentilles optiques internes et externes et / ou miroirs doit être fait régulièrement pour un rendu lumineux optimal. La fréquence de nettoyage dépend de l'environnement d'utilisation : de la poussière, fumée ou un environnement très sale peuvent générer une accumulation importante de salissures sur les optiques.

- Assurez-vous que personne ne se trouve sous l'emplacement d'installation pendant le nettoyage.
- Les boîtiers, fixations et éléments d'installation (plafond, structures, suspensions) ne doivent présenter aucune déformation.
- Le cordon secteur ne doit pas présenter de dommage ; si un problème est détecté, il doit être immédiatement être remplacé.
- Pour protéger l'appareil de toute surchauffe, les ventilateurs et ouïes d'aération doivent être nettoyés tous les mois.
- L'intérieur de l'appareil doit être nettoyé tous les ans avec un compresseur.
- Pour le nettoyage, utilisez un tissu doux et du liquide de nettoyage pour vitres usuel.
- Séchez correctement tous les éléments.
- Nettoyez les optiques externes tous les mois au moins. Nettoyez les optiques internes tous les 30 à 60 jours au moins.

ATTENTION : Nous recommandons fortement que le nettoyage intérieur soit fait par un technicien qualifié.

DMX CHANNELS / DMX KANALEN / DMX-KANÄLE / CANALES DMX / CANAUX DMX

Channel 6

Channel	Function	Value	Description
1	Red	000-255	Red 0-100%
2	Green	000-255	Green 0-100%
3	Blue	000-255	Blue 0-100%
4	White	000-255	White 0-100%
5	Amber	000-255	Amber 0-100%
6	UV	000-255	UV 0-100%

Channel 10

Channel	Function	Value	Description
1	Master dimming	000-255	Dimming 0-100%
2	Red	000-255	Red 0-100%
3	Green	000-255	Green 0-100%
4	Blue	000-255	Blue 0-100%
5	White	000-255	White 0-100%
6	Amber	000-255	Amber 0-100%
7	UV	000-255	UV 0-100%
8	Strobe	000-002	No function
		003-255	Strobe from slow to fast
9	Fading	000-002	No function
		003-255	Fade from slow to fast
10	Macro effects	000-003	No function
		004-050	Jump from slow to fast
		051-100	Single colour fade from slow to fast
		101-150	Bright to dark
		151-200	Sound mode 1
		201-255	Sound mode 2

MENU / MENÜ / MENÚ

Mode	Program	Description
D001	d001-d512	10 channel mode
A001	A001-A512	6 channel mode
Auto	At.01	Red colour
	At.02	Green colour
	At.03	Blue colour
	At.04	White colour
	At.05	Amber colour
	At.06	UV colour
	At.07	All colour
	At.08	Jump mode
	At.09	Flash mode
	At.10	Fade mode
	At.11	Bright to dark with fade
Edit	Pr.01	Press Enter to dim colour
	Pr.02	Press Enter to dim colour and jump speed
	Pr.03	Press Enter to dim colour and fade speed
	Pr.04	Press Enter to dim colour and flash speed
	Pr.05	Press Enter to dim colour and fade2 speed
Soud	Sd01	Sound mode 1
	Sd02	Sound mode 2
Slave	Slave	Slave mode
Rest	Reset	Reset the fixture

TECHNICAL SPECIFICATION / TECHNISCHE SPECIFICATIE / TECHNISCHE DATEN / ESPECIFICACIONES TÉCNICAS / SPÉCIFICATIONS TECHNIQUES

Rated voltage	: AC100~240V 50/60Hz
Rated power	: 90W
LED	: 9x12W RGBWA-UV
DMX Channels	: 6 or 10 Channels
Function	: DMX, Auto, Sound active and Master-Slave.
Dimensions per unit	: 194 x 180 x 204 mm
Weight (per unit)	: 5.31 kg

The specifications are typical. The actual values can slightly change from one unit to the other. Specifications can be changed without prior notice.



tronios
Sound & Light

CE Declaration of Conformity

Manufacturer: TRONIOS BV
Bedrijvenpark Twente 415
7602 KM – ALMELO
+31(0)546589299
+31(0)546589298
The Netherlands

Product number: 150.587

Product Description: BPP60 Uplighter

Trade Name: BEAMZ PROFESSIONAL

Regulatory Requirement: EN 55103-1:2009+A1:2012
EN 55103-2:2009
EN 61000-3-2:2014
EN 61000-3-3:2013
EN 60598-2-17:1989+A2:1991
EN 60598-1:2015
EN 62493:2010
EN 62471:2008
IEC 61000-4-2:2008, IEC 61000-4-3:2010, IEC 61000-4-4:2012
IEC 61000-4-5:2014, IEC 61000-4-6:2013, IEC 61000-4-11:2004
IEC 62321-5:2013
IEC 62321-4:2013
IEC 62321:2008
IEC 62321-6:2015
EN 14374:2004

I hereby declare that the product meets the requirements stated in Directives 2014/35/EU and 2014/30/EU and conforms to the above mentioned Declarations.

Almelo,

18-05-2017

Name : *M. Velders*

Signature :

Specifications and design are subject to change without prior notice..

www.tronios.com

Copyright © 2017 by TRONIOS the Netherlands