



ENTOUR FAZE JR



Caution: Fog Machines may set off Smoke Alarms!

User Instructions

©2019 ADJ Products, LLC all rights reserved. Information, specifications, diagrams, images, and instructions herein are subject to change without notice. ADJ Products, LLC logo and identifying product names and numbers herein are trademarks of ADJ Products, LLC. Copyright protection claimed includes all forms and matters of copyrightable materials and information now allowed by statutory or judicial law or hereinafter granted. Product names used in this document may be trademarks or registered trademarks of their respective companies and are hereby acknowledged. All non-ADJ Products, LLC brands and product names are trademarks or registered trademarks of their respective companies.

ADJ Products, LLC and all affiliated companies hereby disclaim any and all liabilities for property, equipment, building, and electrical damages, injuries to any persons, and direct or indirect economic loss associated with the use or reliance of any information contained within this document, and/or as a result of the improper, unsafe, insufficient and negligent assembly, installation, rigging, and operation of this product.

DOCUMENT VERSION

Please check www.adj.com for the latest revision/update of this guide.

Date	Document Version	Notes
01/24/19	1	Initial Version
11/24/21	1.2	Added CE Certification

Europe Energy Saving Notice

Energy Saving Matters (EuP 2009/125/EC)

Saving electric energy is a key to help protecting the environment. Please turn off all electrical products when they are not in use. To avoid power consumption in idle mode, disconnect all electrical equipment from power when not in use. Thank you!

Introduction	3
Features Warranty	4
Safety Guidelines	5
Installation	6
Overview	7
General Set Up Operation Fluid Sensor	8
Wired Remote Control	9
Maintenance Storage	10
Dimensional Drawings Fuse Replacement	11
Trouble Shooting	11
Limited Warranty (USA Only)	12
Specifications	13

Introduction: Congratulations, you have just purchased one of the most reliable faze machines on the market today! The Entour Faze Jr machine has been designed to perform reliably for years when the guidelines in this booklet are followed. Please read and understand the instructions in this manual carefully and thoroughly before attempting to operate this unit. These instructions contain important information regarding safety during use and maintenance.

Customer Support: Contact ADJ Service for any product related service and support needs. Also visit forums.adj.com with questions, comments or suggestions.

Parts: To purchase parts online visit <http://parts.adj.com>

ADJ SERVICE USA - Monday - Friday 8:00am to 4:30pm PST

Voice: 800-322-6337 | Fax: 323-832-2941 | support@adj.com

ADJ SERVICE EUROPE - Monday - Friday 08:30 to 17:00 CET

Voice: +31 45 546 85 60 | Fax: +31 45 546 85 96 | support@adj.eu

ADJ PRODUCTS LLC USA

6122 S. Eastern Ave. Los Angeles, CA. 90040

323-582-2650 | Fax 323-532-2941 | www.adj.com | info@adj.com

ADJ SUPPLY Europe B.V

Junostraat 2 6468 EW Kerkrade, The Netherlands

+31 (0)45 546 85 00 | Fax +31 45 546 85 99

www.adj.eu | info@americandj.eu

ADJ PRODUCTS GROUP Mexico

AV Santa Ana 30 Parque Industrial Lerma, Lerma, Mexico 52000

+52 (728) 282-7070

WARNING! To prevent or reduce the risk of electrical shock or fire, do not expose this unit to rain or moisture.

CAUTION! There are no user serviceable parts inside this unit. Do not attempt any repairs yourself, doing so will void your manufactures warranty. In the unlikely event your unit may require service please contact ADJ Products, LLC.

Do not discard the shipping cartoon in the trash. Please recycle when ever possible.

SAFETY ISSUES:

NEVER POINT OR AIM A FOG MACHINE TOWARDS PEOPLE OR THEIR CLOTHING. THIS UNIT EMITS HOT VAPOR AND SHOULD BE USED WITH THE SAME CARE THAT YOU WOULD OBSERVE WHEN USING AN ELECTRIC KETTLE OR IRON.

Entour Faze Jr

Features

- Rapid Heater Technology
- Automatic Circuit Cut-Off (Protects the pump in the case of no fog fluid)
- Low Fluid LED Indicator
- Removable Fluid Tank
- Faze Output Switch
- 90-Degree Adjustable Air Deflector
- Dual Hanging Bracket

Included Accessories:

1 x Entour VT-1 Wired Remote Control

Entour Faze Jr

Warranty Registration

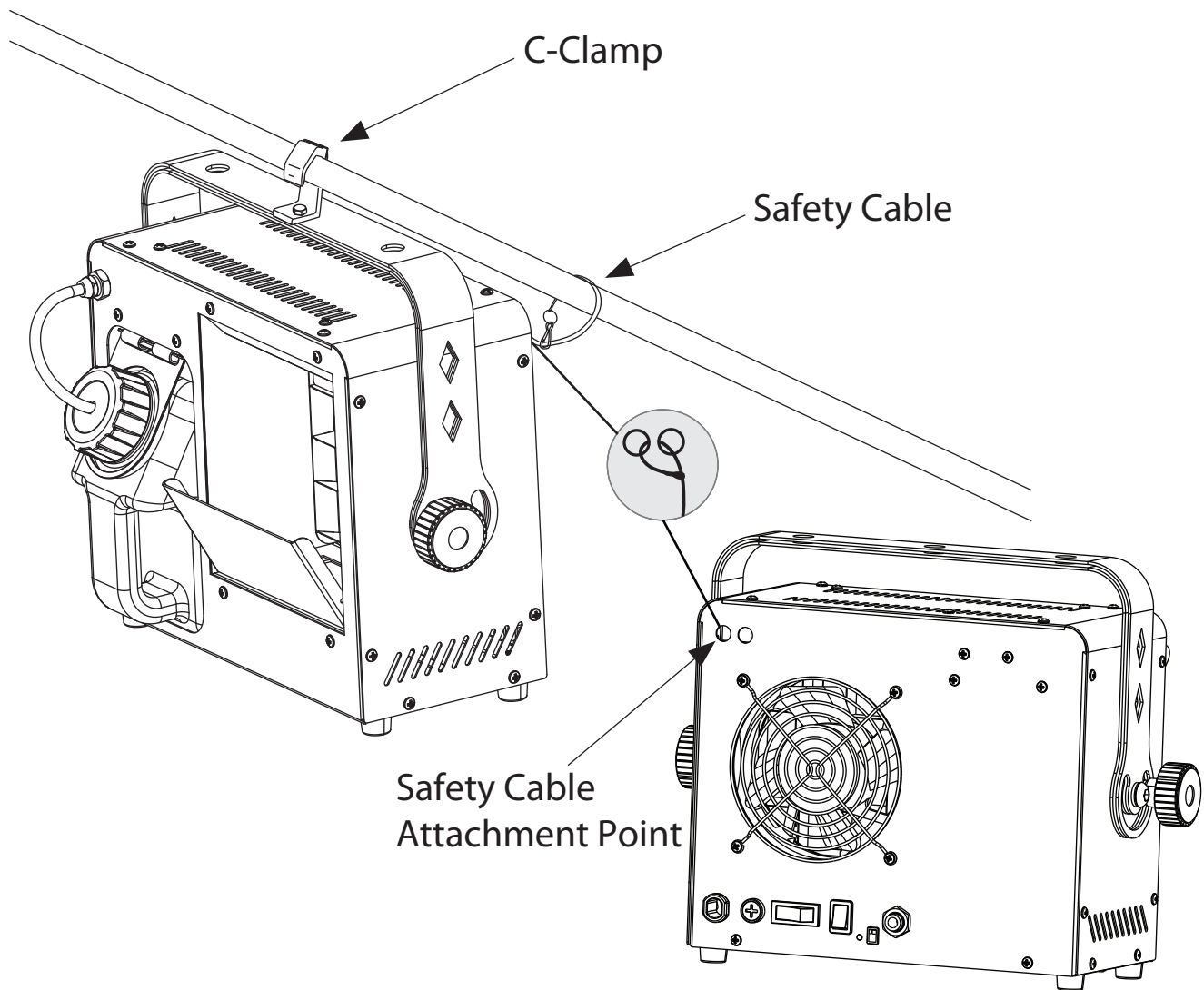
The Entour Faze Jr carries a 2 year limited warranty. Please fill out the enclosed warranty card to validate your purchase. All returned service items whether under warranty or not, must be freight pre-paid and accompany a return authorization (R.A.) number. The R.A. number must be clearly written on the outside of the return package. A brief description of the problem as well as the R.A. number must also be written down on a piece of paper included in the shipping carton. If the unit is under warranty, you must provide a copy of your proof of purchase invoice. You may obtain a R.A. number by contacting our customer support team on our customer support number. All packages returned to the service department not displaying a R.A. number on the outside of the package will be returned to the shipper.

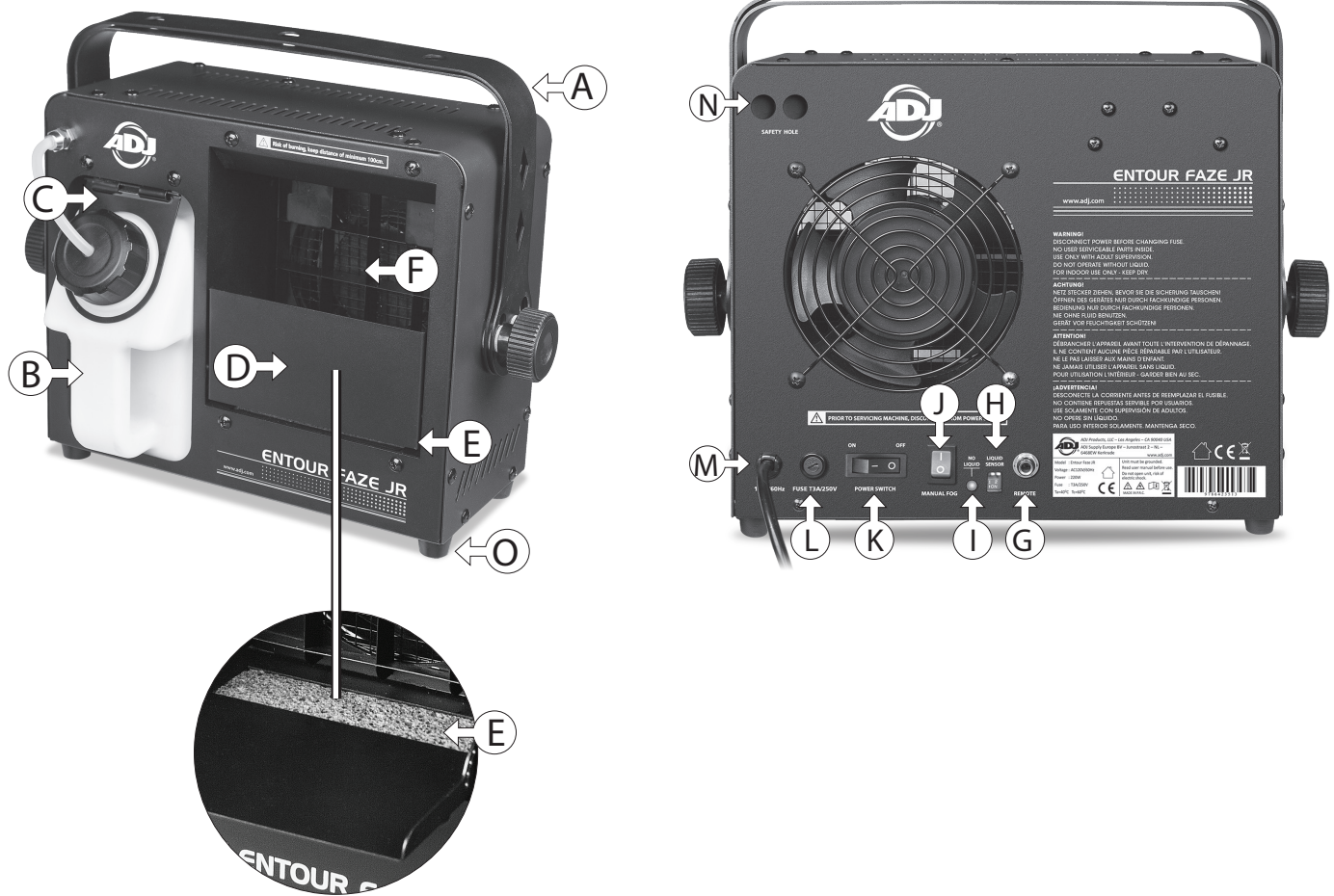
For Your Own Personal Safety, Please Read and Understand This Manual Completely Before You Attempt To Install Or Operate This Unit!

- Be sure to save the packing carton in the unlikely event the unit may have to be returned for service
- Do not spill water or other liquids into or on to your fazer. Be sure that all the fog fluid is kept inside the fluid reservoir
- Be sure that the local power outlet match that or the required voltage for your fog machine
- Do not remove the top cover under any conditions. There are no user serviceable parts inside
- Disconnect the unit's main power when left unused for long periods of time
- Never connect this unit to a dimmer pack
- Do not attempt to operate this unit, if it becomes damaged in anyway
- Never operate this unit when it's cover is removed
- To reduce the risk of electrical shock or fire, do not expose this unit rain or moisture
- Do not attempt to operate this unit if the power cord has been frayed or broken. Do not attempt to remove or break off the ground prong from the electrical cord. This prong is used to reduce the risk of electrical shock and fire in case of an internal short
- Disconnect from main power before making any type of connection
- Never block the ventilation holes. Always be sure to mount this unit in an area that will allow proper ventilation. Allow about 6" (15cm) between this device and a wall
- This unit is intended for indoor use only, use of this product outdoors voids all warranties
- Always mount this unit in a safe and stable matter
- Please route your power cord out of the way of foot traffic. Power cords should be routed so they are not likely to be walked on, pinched by items placed upon or against them
- The unit should only be serviced by qualified service personnel when:
 - A. The power-supply cord or the plug has been damaged.
 - B. Objects have fallen, or liquid has been spilled into the unit.
 - C. The unit has been exposed to rain or water.
 - D. The appliance does not appear to operate normally or exhibits a marked change in performance.

The unit should be mounted using a mounting clamp (not provided), affixing it to the mounting bracket that is provided with the unit. Always ensure that the unit is firmly fixed to avoid vibration and slipping while operating. Always ensure that the structure to which you are attaching the unit is secure and is able to support a weight of 10 times the unit's weight. Also, always use a safety cable that can hold 12 times the weight of the unit when installing the fixture.

The equipment must be installed by a professional, and it must be installed in a place where it is out of the reach of people's grasp.





A. Hanging Bracket with Handle Screw (Used with Tripod)

B. Tank

C. Fixed Ring

D. Air Deflector

E. Sponge

F. Fog Output

G. Control Socket Connection

H. Two Pin Dip Switch For Fluid Sensor

I. LED Indicator For No Fluid Detection

J. Manual Fogging

K. Power ON/OFF

L. Fuse

M. Power Input

N. Safety Cable Attachment Point

O. Rubber Feet

1. Open the shipping carton and carefully remove the unit from the shipping carton.
2. Be sure to remove all the packing material especially around the output area.
3. Set the faze machine on a flat dry surface and fill the fog fluid tank with American DJ brand ECO juice. Place the feeder tube with the filter deep inside the reservoir and tighten the cap.
NOTE: It is highly recommended to use American DJ ECO fog juice.
4. Plug the machine into a matching power source and put the power switch into the “On” position. Let the machine warm up for about 70 seconds.
5. Follow the operating instructions below for proper operation.

NOTE: When the machine stops fogging, DO NOT unplug the machine immediately. Please wait at least 100 seconds to let the machine clean out any fluid left over in the pipes.

On Board Operation:

1. Plug the machine into a matching power source and put the power switch into the “On” position.
2. After power is applied the unit will begin to warm up. The machine should be fully warmed up after 70 seconds.
3. After the machine has warmed up, press and continue to press the MANUAL FOG button to dispense fog. Release the MANUAL FOG button to stop fog output.

Remote Control Operation:

1. Plug the included remote control into 1/4” jack input located on the rear of the machine. Make sure the output volume knob is in the “Off” position (rotated fully counter-clockwise).
2. Plug the main power cord into a matching power source and put the power switch into the “On” position.
3. Allow the machine to fully warm up. While the machine is warming up, the red power LED on the remote will light.
4. After the machine has warmed up, the remotes green indicator LED will glow. This LED indicates that the machine is ready emit fog.
5. To emit fog, rotate the output volume knob clockwise. To reduce fog output, rotate the knob counter-clockwise.

This is a precaution set up to preserve the machine life and its internal parts. When the sensor is activated the machine will automatically stop working when the fluid runs out.

1. To activate the fluid sensor, “flip” one of the two dip switches into the “On” position.
2. When the fluid sensor detects that the tank is empty, the machine will stop operating and the sensor LED (located next to the dip switches) will begin to flash.
3. If the sensor is not activated (both dip switches in the “Off” position), the machine will continue to operate. Running the machine without fog fluid can damage the internal parts and shorten the life of the machine.



A. 1/4" Stereo Jack

B. Output Control Knob

C. Green Ready LED Indicator

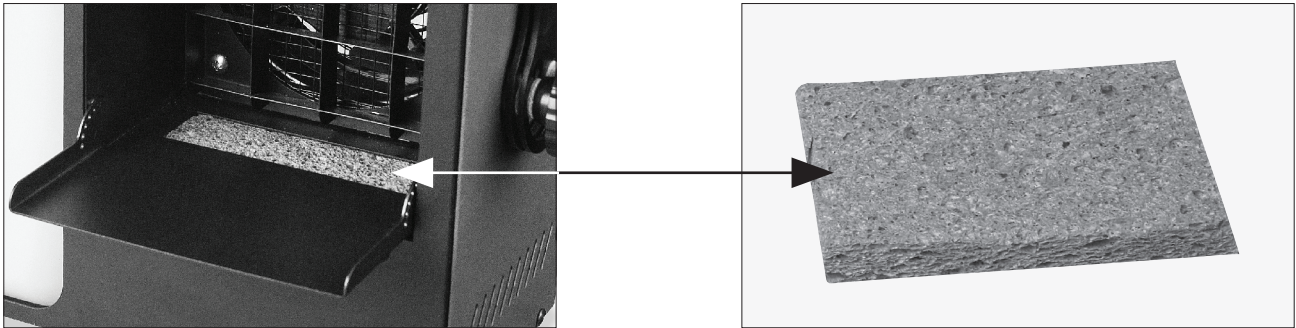
D. Red Power LED Indicator

Before conducting maintenance, please make sure that the power is “Off” and the power cord is disconnected from the power source. Always make sure the machine has cooled down.

DO NOT let the fog fluid get dirty. Always be sure to clean the tank cap or replace it when needed. Make sure to always tighten the tank cap immediately after filling.

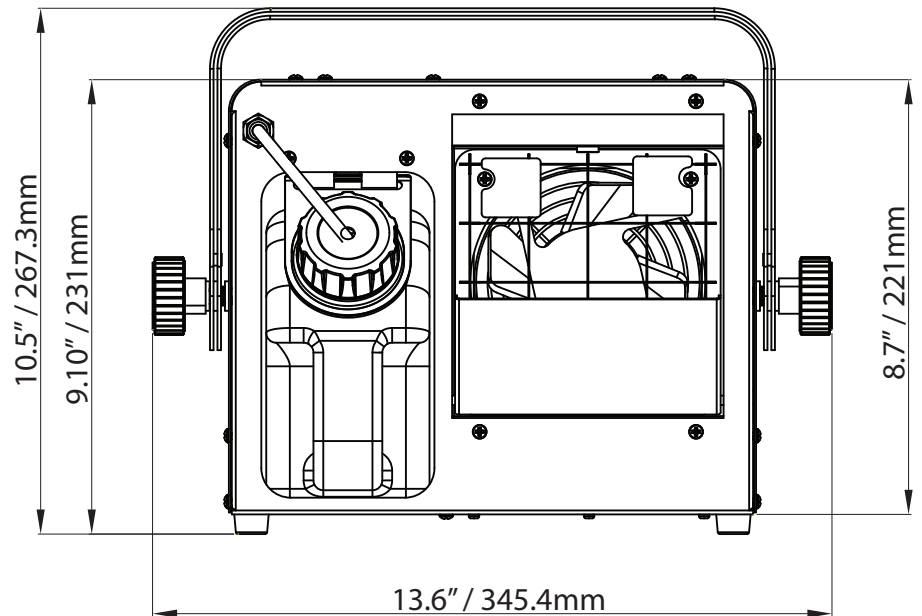
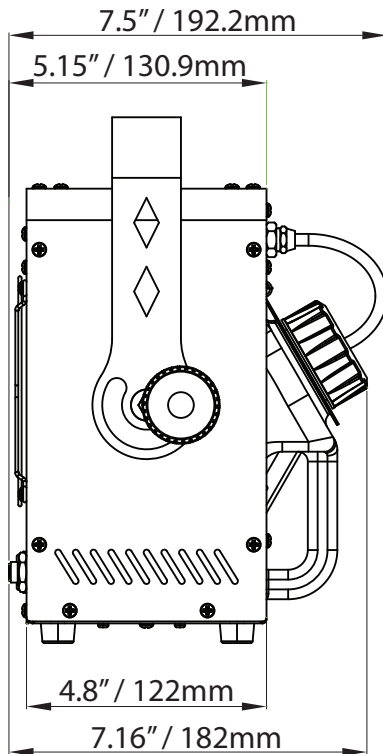
With prolonged use, the nozzle may become clogged by impurities. Periodically clean the nozzle and the fog fluid line. Please try to keep both unobstructed.

Contact ADJ customer service for replacement nozzles, fluid lines, sponges, etc.



With usage, the the sponge inside the vent may accumulate oil. Periodically clean the sponge or replace with a new one. If you would like to replace the sponge, contact ADJ customer service.

When storing your fog machine be sure to store it in a cool area. Cover the machine so that dust does not build up on the unit. When storing the machine for long periods of time, it is highly advised to at least run the machine every 3-4 months. Long periods of inactivity can severely shorten the life of your machine. Only run water based fog juice through your machine. Never run plain water, vinegar, or any other liquid solution through your machine. Running anything other than water based fog juice will severely damage your machine.



Entour Faze Jr

Fuse Replacement

Disconnect the unit from its power source. Remove the power cord from the unit. Use a flat head screwdriver to remove the fuse holder. Remove the fuse located inside the fuse holder and replace it with the new fuse. Install the fuse holder and new fuse and secure it.

Entour Faze Jr

Trouble Shooting

Power Connected but No Smoke is Emitted:

1. Check the power supply. Plug the unit into a grounded electric power supply socket with proper voltage.
2. Disconnect the machine from the power supply and replace the fuse with a matching fuse.
3. Be sure there is sufficient fluid in the tank.

If you experience low output, pump noise, or no output at all, disconnect and discontinue use immediately. Do not attempt to continue pushing the manual fog button as this may damage the machine. Check the fluid level, the fuse, and be sure the wall outlet is sending power. If all of the above appears to be okay, and the unit fails to operate correctly, the unit will require service. Please contact ADJ Products, LLC.

MANUFACTURER'S LIMITED WARRANTY

- A. ADJ Products, LLC hereby warrants, to the original purchaser, ADJ Products, LLC products to be free of manufacturing defects in material and workmanship for a prescribed period from the date of purchase (see specific warranty period on reverse). This warranty shall be valid only if the product is purchased within the United States of America, including possessions and territories. It is the owner's responsibility to establish the date and place of purchase by acceptable evidence, at the time service is sought.
- B. For warranty service you must obtain a Return Authorization number (RA#) before sending back the product—please contact ADJ Products, LLC Service Department at 800-322-6337. Send the product only to the ADJ Products, LLC factory. All shipping charges must be pre-paid. If the requested repairs or service (including parts replacement) are within the terms of this warranty, ADJ Products, LLC will pay return shipping charges only to a designated point within the United States. If the entire instrument is sent, it must be shipped in its original package. No accessories should be shipped with the product. If any accessories are shipped with the product, ADJ Products, LLC shall have no liability whatsoever for loss of or damage to any such accessories, nor for the safe return thereof.
- C. This warranty is void if the serial number has been altered or removed; if the product is modified in any manner which ADJ Products, LLC concludes, after inspection, affects the reliability of the product; if the product has been repaired or serviced by anyone other than the ADJ Products, LLC factory unless prior written authorization was issued to purchaser by ADJ Products, LLC; if the product is damaged because not properly maintained as set forth in the instruction manual.
- D. This is not a service contract, and this warranty does not include maintenance, cleaning or periodic check up. During the period specified above, ADJ Products, LLC will replace defective parts at its expense with new or refurbished parts, and will absorb all expenses for warranty service and repair labor by reason of defects in material or workmanship. The sole responsibility of ADJ Products, LLC under this warranty shall be limited to the repair of the product, or replacement thereof, including parts, at the sole discretion of ADJ Products, LLC. All products covered by this warranty were manufactured after August 15, 2012, and bear identifying marks to that effect.
- E. ADJ Products, LLC reserves the right to make changes in design and/or improvements upon its products without any obligation to include these changes in any products theretofore manufactured.

No warranty, whether expressed or implied, is given or made with respect to any accessory supplied with products described above. Except to the extent prohibited by applicable law, all implied warranties made by ADJ Products, LLC in connection with this product, including warranties of merchantability or fitness, are limited in duration to the warranty period set forth above. And no warranties, whether expressed or implied, including warranties of merchantability or fitness, shall apply to this product after said period has expired. The consumer's and/or Dealer's sole remedy shall be such repair or replacement as is expressly provided above; and under no circumstances shall ADJ Products, LLC be liable for any loss or damage, direct or consequential, arising out of the use of, or inability to use, this product.

This warranty is the only written warranty applicable to ADJ Products, LLC Products and supersedes all prior warranties and written descriptions of warranty terms and conditions heretofore published.

MANUFACTURER'S LIMITED WARRANTY PERIODS:

- **Non L.E.D. Lighting Products = 1-year (365 days) Limited Warranty** (Such as: Special Effect Lighting, Intelligent Lighting, UV lighting, Strobes, Fog Machines, Bubble Machines, Mirror Balls, Par Cans, Trussing, Lighting Stands etc. excluding LED and lamps)
- **Laser Products = 1 Year (365 Days) Limited Warranty** (excluding laser diodes which have a 6 month limited warranty)
- **L.E.D. Products = 2-year (730 days) Limited Warranty** (excluding batteries which have a 180 day limited warranty). **Note: 2 Year Warranty only applies to purchases within the United States.**
- **StarTec Series = 1 Year Limited Warranty** (excluding batteries which have a 180 day limited warranty).
- **ADJ DMX Controllers = 2 Year (730 Days) Limited Warranty**

Entour Faze Jr

<i>VOLTAGE:</i>	120v or 230V, 50/60Hz
<i>HEATER:</i>	200W
<i>POWER CONSUMPTION:</i>	220W
<i>WEIGHT:</i>	10.5 Lbs. / 4.8 Kgs
<i>DIMENSIONS:</i>	13.6" (L) x 7.5" (W) x 10.5" (H) 345 x 192 x 267mm
<i>FUSE:</i>	3A (120V) / 2A (230V)
<i>WARM UP TIME:</i>	70 Seconds
<i>TANK CAPACITY:</i>	1.5 Liters
<i>OUTPUT:</i>	3,000 cubic feet per minute (With Fan & Volume Full On)
<i>FLUID CONSUMPTION (ml/min):</i>	2.2ml/min (Max Output)
<i>FLUID TYPE:</i>	Water Based American DJ ECO Fog Juice
<i>DUTY CYCLE:</i>	Not to exceed 6 hours
<i>INCLUDED ACCESSORIES:</i>	3 Meter Wired Remote Control
<i>WARRANTY:</i>	2 Years
<i>CERTIFICATIONS:</i>	CE Certified

Please Note: Specifications and improvements in the design of this unit and this manual are subject to change without any prior written notice.