

B-TWIG12 PRO

POWERED COLUMN SYSTEM
SISTEMA ATTIVO A COLONNA
SYSTÈME ACTIF EN COLONNE
AKTIVES SÄULENSYSTEM
SISTEMA ACTIVO DE COLUMNA

ES MANUAL DE USO | SECCIÓN 1

FR NOTICE D'EMPLOI | SECTION 1

EN USER MANUAL | SECTION 1

IT MANUALE D'USO | SEZIONE 1 DE BEDIENUNGSANLEITUNG | KAPITEL 1

TABLE OF CONTENTS

1	Introduction	3
2	Installation	4
3	Description	5
3.1	Inputs & controls	5
3.2	Connections	9
3.3	Power supply section	13
3.4	B-TWIG 12CS KIT	14
4	Instructions for system assembly and disassembly	15
5	Application configurations	18
6	Troubleshooting	20
7	Technical specifications	21
8	Notes	23

PACKAGE CONTENT

- 1x B-TWIG 12S PRO active subwoofer, including:
 - n.1 support element
 - n.1 mains cord (VDE)
- 1x B-TWIG 12CS PRO kit, including:
 - n.2 passive column speakers
- 1x User manual - Section 1
- 1x User manual - Section 2

The warnings in this manual must be observed together with the **“USER MANUAL - SECTION 2”**.

1 | INTRODUCTION

Thank you for choosing a **A.N.T - Advanced Native Technologies** - product!

In **B-TWIG 12 PRO** column system we have put our passion and our technological background gained over the years, to offer products that meet your needs, maintaining the quality over time.

Specifically designed for an immediate and user-friendly application, meeting the needs of those who are looking for an audio system delivering excellent performances, high connection versatility as well as the best value in its category.

Characterized by an elegant and contemporary profile, it optimally combines great quality professional features and exceptional value such as:

- Internal DSP with 4 equalization presets;
- Integrated DFX unit featuring 16 presets, with sends and return level included;
- 4CH mixer with multiple I/O combinations and Bluetooth® connection;
- Acoustic solutions optimized to guarantee excellent sound quality in a wide range of frequencies;
- Exclusive mechanism for 90 degrees rotation and orientation of the columns, which can be used to direct the acoustic coverage according to the needs of use and installation as well as system positioning

For a easier and more immediate use of the product, several optional accessories are available.

Please, dedicate some minutes to read this instruction manual in order to quickly achieve the best performances from this product.

For safety precautions, warranty and disposal, please refer to attached Section 2.

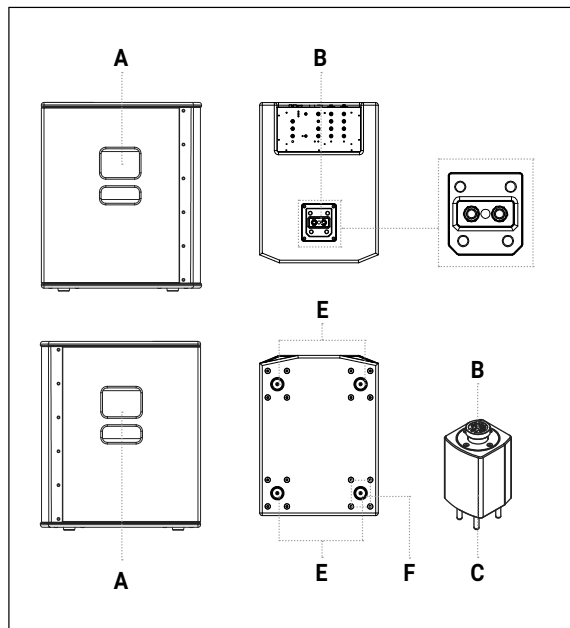
For further information about all A.N.T products catalog, please visit our website: **www.ant-intomusic.com**

2 | INSTALLATION

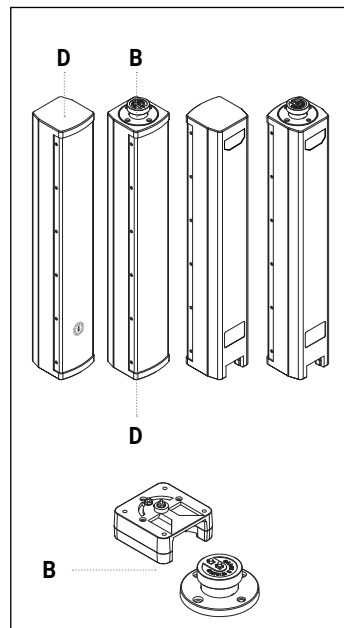
The system is composed by the active subwoofer **B-TWIG 12S PRO**, plus **B-TWIG 12CS PRO kit**:

- A** | Side recessed handle.
- B** | Pins system for elements quick lock and release.
- C** | Support element.
- D** | Passive array speakers, with rear recessed handles.
- E** | Anti-slip rubber feet.
- F** | Built-in fastening points for transport wheels fixing.

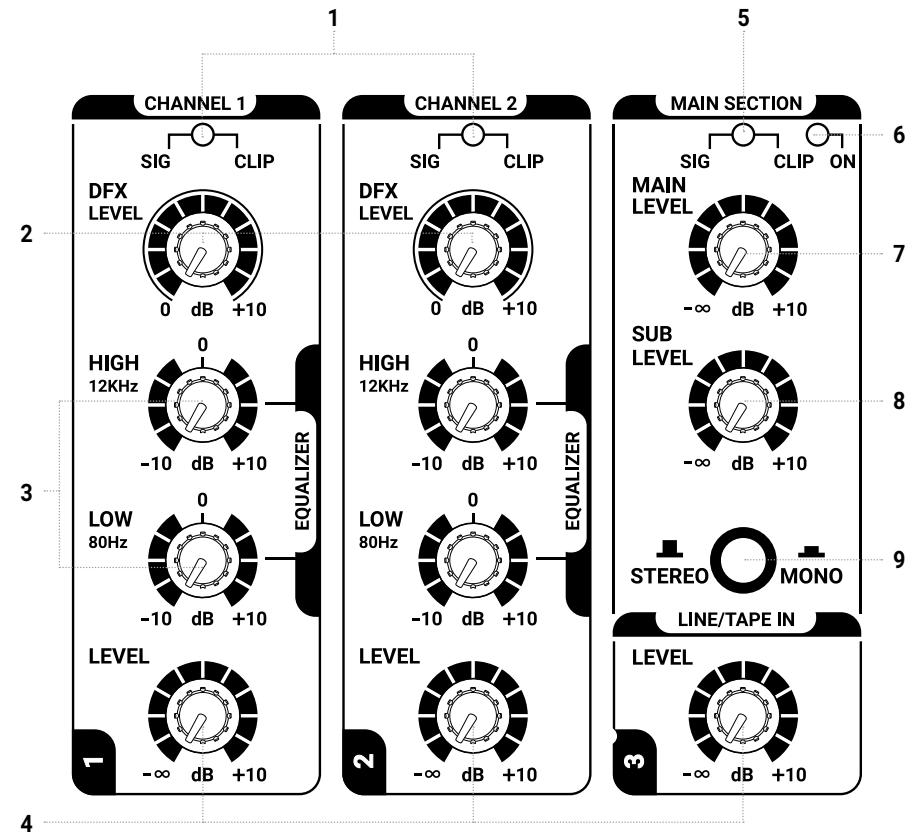
B-TWIG 12S PRO



B-TWIG 12CS PRO



3 | DESCRIPTION



3.1 | INPUTS & CONTROLS

1 CH1 / CH2 - TWO-TONE SIG/CLIP LED

Green: The unit is plugged in and the power switch is turned ON.

Red: The input signal is very high and close to distortion.

If the LED is steadily lit, you need to reduce the input signal or adjust the channel EQ by reducing the boost introduced by the HIGH and LOW gains.

2 CH1 / CH2 - DFX LEVEL

This send, affected by the level control of each single channel, allows to adjust the signal sent to the DFX internal effects unit.

3 CH1 / CH2 - EQUALIZER

This two-band equalizer allows you to boost or cut the high and/or low frequencies, to achieve the desired sound.

4 CH1 / CH2 / LINE/TAPE IN - LEVEL

These knobs adjust the volume of the corresponding channel, turn them to the right to raise the level, to the left to decrease it.

5 MAIN SECTION - TWO-TONE SIG/CLIP LED

Green: the signal is present in the MAIN channel.

Red: the input signal to the MAIN is very strong and is close to distortion.

If the LED is steadily lit, you must reduce the MAIN LEVEL level or adjust differently level of CH1 / CH2 / LINE/TAPE IN and AUX.

6 ON

The LED is lit when the unit is connected to the mains and the switch is set to ON.

7 MAIN LEVEL

This control adjusts the overall output volume of the system. Turn the knob clockwise to increase the volume or counter-clockwise to lower it.

8 SUB LEVEL

This control adjusts the output volume of the subwoofer and allows you to balance the level of lower frequencies, based on environment acoustic response. Turn the knob clockwise to increase the SUB volume or counterclockwise to lower it.

9 STEREO / MONO BUTTON

It allows to select the system listening configuration in two operating modes: STEREO or MONO.

- Set the button to MONO when using a single B-TWIG 12 PRO system; in this case all the stereo signals of the inputs are internally summed. You can connect an additional unit via the MIX OUT MONO (L/R) output, thus duplicating the sound front.

- Set the button to STEREO when using two B-TWIG 12 PRO systems; in this case all the stereo signals of the inputs are mixed in LEFT / RIGHT and simultaneously managed with the respective systems as follows:

the left channel (L) of all stereo inputs is reproduced by the main unit, while the right channel (R) of all stereo inputs is reproduced by the additional unit connected to the MIX OUT STEREO (R) output.

10 PAIR - BUTTON & LED

Use this button to synchronize the Bluetooth® device with the system applying the following procedure:

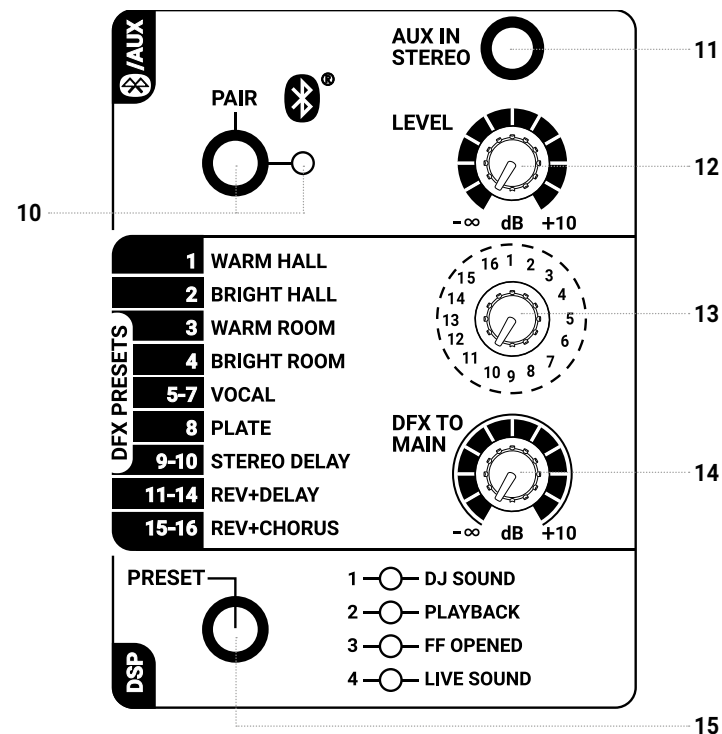
- press the PAIR button for about 3 seconds until when the LED rhythmically flashes;
- to start synch, activate Bluetooth® from the user interface of your mobile device;
- in your smartphone or tablet list of devices detected, select "B-TWIG 12 PRO" to synchronize your mobile device with the system.

At the end of the operation the LED is steadily lit and the tracks can be played back, as long as device maximum distance from the unit does not exceed 10 meters.

The Bluetooth® connection can be deactivated at any time by holding down the PAIR button for 3 seconds or by desyncing the B-TWIG 12 PRO unit from the mobile device. In both cases, the indicator light flashes slowly every 5 seconds, indicating that the connection has been deactivated.

11 AUX IN STEREO

This 3.5mm stereo input accepts the cable signal from external devices, such as a smartphone, tablet, PC or any other device with a stereo mini-jack output.



12 BLUETOOTH® / AUX - LEVEL

This knob adjusts the volume of AUX IN STEREO and BLUETOOTH® inputs, turn the knob to the right to raise the level, to the left to decrease it.

13 DFX PRESETS

This 16-position selector allows you to choose the desired type of effect. For a quick reference, the list of effects is shown to the left of the selector. The first 4 effects emulate different reverberations, characterized by reflections of the sound inside two different ambients, the following 4 (5-8) are suggested in particular for vocal or percussions, the stereo delays generate the classic delay effect of the main signal, finally there are the multi-effect combinations (11-16) ideal for vocal and most solo instruments.

14 DFX TO MAIN

This knob determines the overall signal level of the DFX effects unit for the main output. Use the knob to increase or decrease the amount of processed signals to be send to the MAIN LEVEL.

15 DSP - PRESET BUTTON AND LED

Press this button to select the equalization suitable for system use. The lit LED shows the activated preset.

• DJ SOUND

Suitable for installations in disco club or a mobile DJ SET, applications where a punchy tone is required as well as a predominance of very deep and engaging bass frequencies.

• PLAYBACK

For listening and using reproduced music sources (CD players, MP3, etc.). Low and high frequencies are emphasized. Suitable for all those situations where the background music is spread out, even at low volume.

• FF OPENED

This preset optimizes speech intelligibility with an accurate and balanced dynamic response.

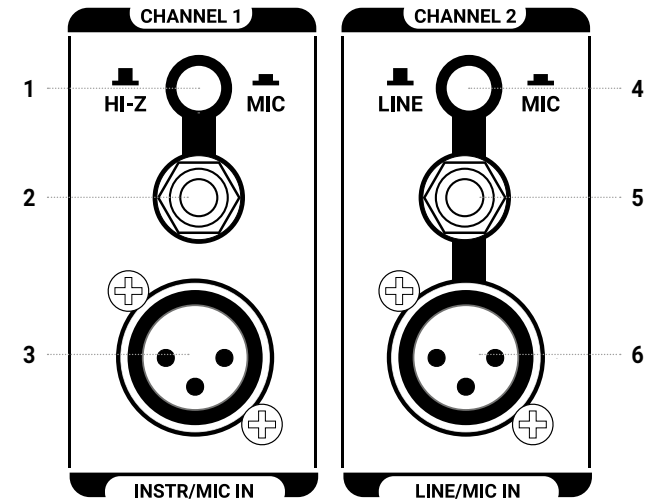
It's particularly suitable for spread of announcements, warnings and vocal messages, as well as for listening and use of playback music, with both columns set far from the main listening wavefront.

NOTE: the FF OPENED preset does not supersede a correct arrangement of the speakers, nor it acts with different signal output delays on each individual speaker.

• LIVE SOUND

For system use in live performances. Characterized by a flat and realistic response, it is suitable for concerts in clubs, as well as for musicians and singers.

3.2 | CONNECTIONS



1 HI-Z / MIC - CH1 BUTTON

This button switches channel 1 input signal impedance. Set the button to MIC to connect a microphone or set the button to HI-Z when you need to connect an electro-acoustic guitar. The button only acts on the 6.35mm input jack.

2 HI-Z INPUT - CH1

Balanced input with 6.35mm (1/4") socket. An unbalanced cable can also be used.

3 MIC INPUT - CH1

Balanced microphone input with XLR-F socket.

4 LINE / MIC - CH2 BUTTON

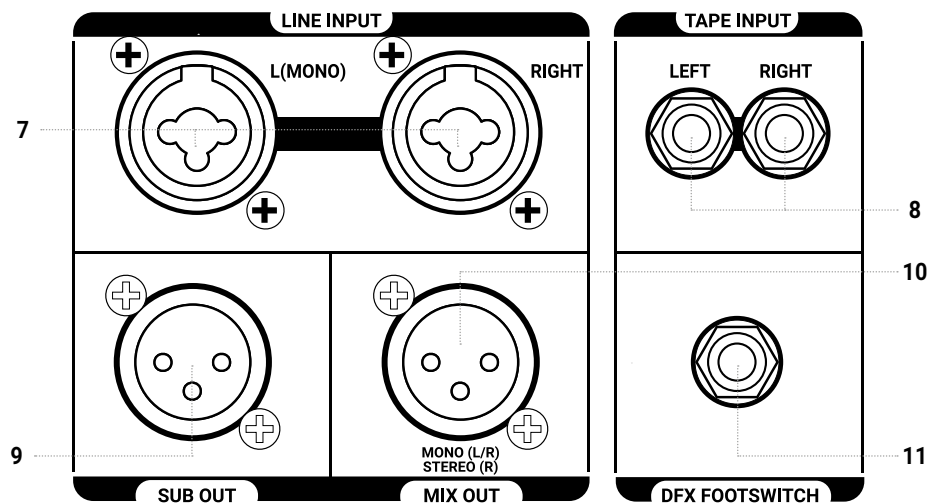
Set the button to LINE to use a line-level source or set the button to MIC to use a microphone.

5 LINE INPUT - CH2

Balanced input with 6.35 mm jack. An unbalanced cable can also be used.

6 MIC INPUT - CH2

Balanced microphone input with XLR-F socket.



7 LINE INPUT L/R

Balanced line inputs with COMBO sockets (XLR-F + 6.35mm Jack); by connecting a single cable to the L (MONO) socket, the signal is internally processed as mono. The volume of these inputs is regulated by channel 3 knob.

8 TAPE INPUT L/R

Unbalanced line input with RCA L/R sockets. Connect to these sockets the output of a hi-fi device (CD) or other device with RCA L/R outputs. The volume of these inputs is controlled by channel 3 knob.

9 SUB OUT

Balanced XLR-M output to send the signal to another active subwoofer. The level is influenced by both SUB LEVEL and MAIN knobs.

10 MIX OUT L/R - R

Balanced XLR-M output for addressing the MAIN MIX signal to another B-TWIG 12 PRO system.

The output signal is influenced by the position of the STEREO / MONO button, as described in point 9, chapter 3.1.

Button pressed (MONO): all the signals present in input channels are internally summed and the MIX OUT provides the signal for an additional reinforcement system.

Button raised (STEREO): the signal present in the left channel (L) of all stereo inputs is summed and exclusively played back by the main system, while the signal in the right channel (R) of all stereo inputs is summed and exclusively played back from the additional system.

NOTE: The signal of the Mono inputs CH1 and CH2 is reproduced equally on the left (main system) and on the right (additional system)

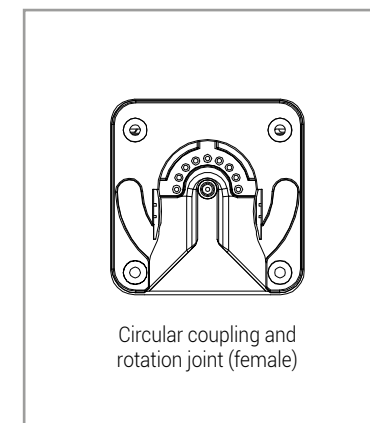
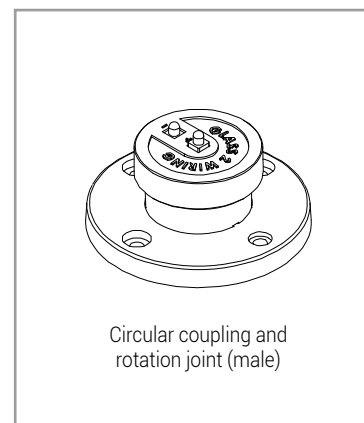
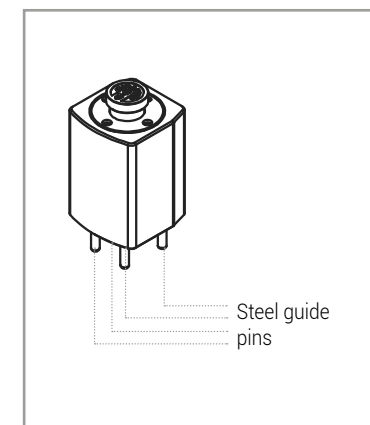
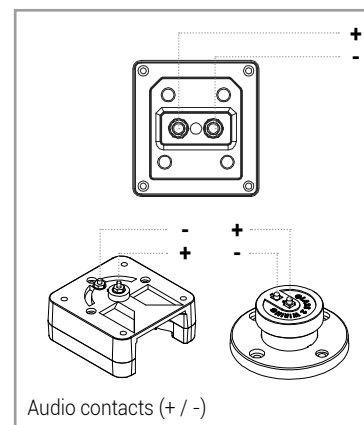
ATTENTION: To achieve a balanced and homogeneous stereo sound front, when connecting two systems in a stereo configuration, set identically the additional system controls (R).

11 DFX FOOTSWITCH

Connect to this unbalanced jack an external footswitch for activating or bypassing internal effects. Press once to deactivate the effects and a second time to reactivate them.

12 FAST ELEMENTS CONNECTION SYSTEM

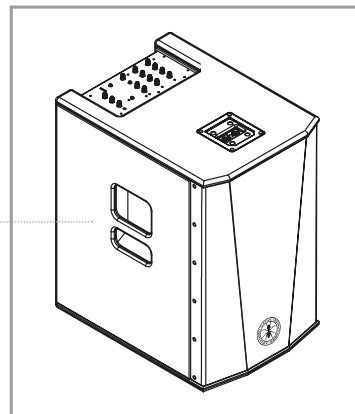
This mechanism allows locking and release of the elements that make up the system, ensuring the perfect functionality in total safety.



13 RECESSED SIDE HANDLES SUBWOOFER

Use these handles for transporting and positioning the subwoofer. Do not use them to fly the subwoofer or to lock it in any position.

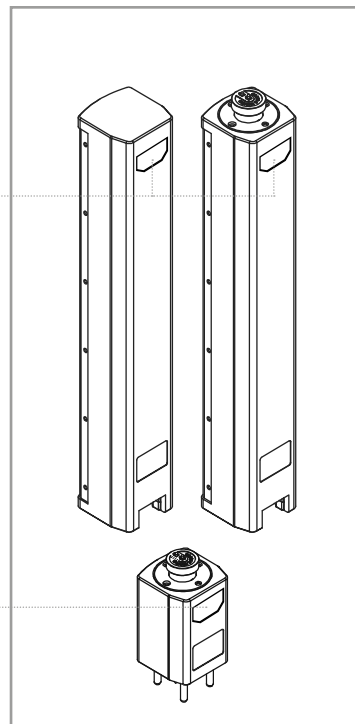
13



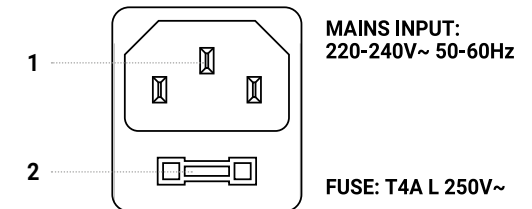
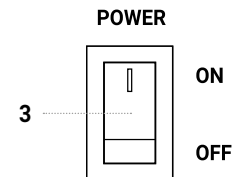
14 RECESSED REAR HANDLES COLUMNS / SUPPORT ELEMENT

Use these handles for transporting and positioning the elements. Do not use them to fly the speakers on the wall, on the ceiling or to lock the columns in any position.

14



3.3 | POWER SUPPLY



MAINS INPUT:
220-240V~ 50-60Hz

FUSE: T4A L 250V~

POWER CONSUMPTION: 700W
(Replace fuse with same ratings)
(Remplacer le fusible avec le même type)

1 MAINS INPUT

IEC mains socket with integrated EMI filter. Each package is supplied with the necessary power cord, specific for your area. Insert the mains cable into this socket, but make sure the system is switched off before connecting the cable to the mains. For your safety, never disconnect the ground lead.

WARNING!



Never remove the front protection grille of the cabinet. To prevent the risk of electric shock, in case of accidental damage or replacement of the protection grille (to be carried out by service centers only), immediately disconnect the power supply.



CAUTION: To reduce the risk of electric shock, never connect the power supply to the appliance while the grille is removed.

2 FUSE

Protection fuse integrated in mains socket.



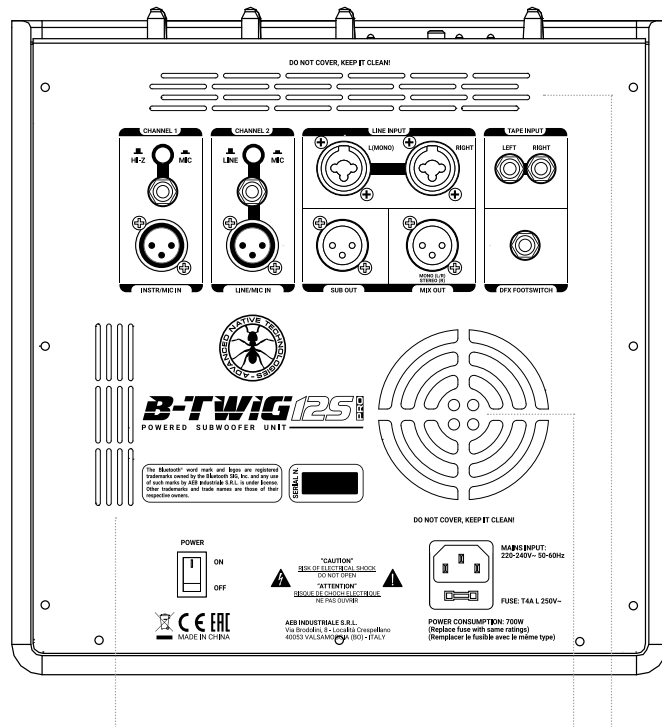
CAUTION: Replace the fuse only with one of the same type and with the same value. If the fuse blows repeatedly, contact an authorized service center.

3 POWER ON/OFF

Use this switch to turn ON/OFF the system.

4 COOLING FAN AND VENTILATION SLOTS

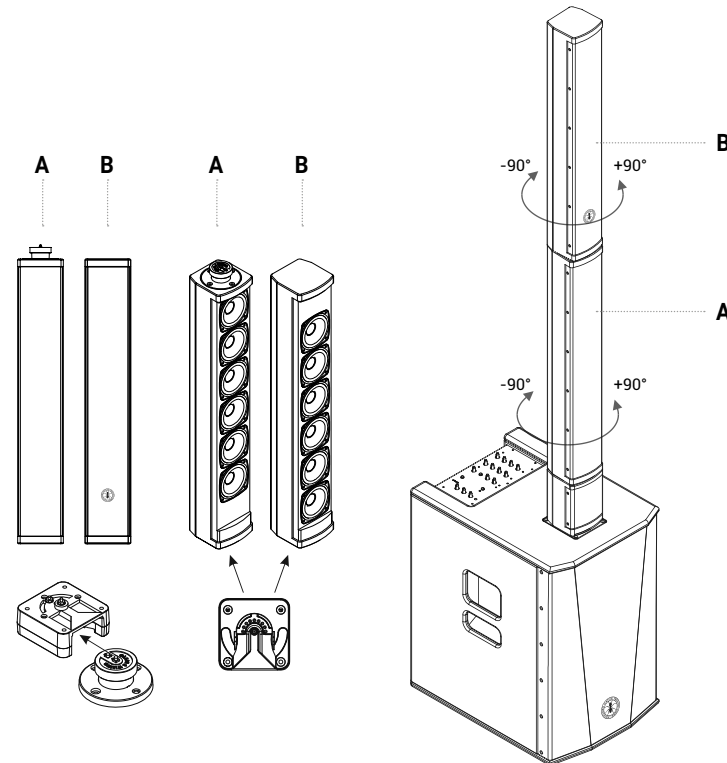
The cooling process of the amplifier and temperature control within the limits are ensured by proper ventilation of the system, thus it's recommended to don't obstruct or cover in any way subwoofer rear cabinet ventilation slots.



4

3.4 | B-TWIG 12CS PRO KIT

The kit consists of two identical column elements. Both are equipped with the interlocking fixing mechanism allowing the quick coupling and release of the elements that make up the system, ensuring perfect functionality in complete safety. In addition there is a rotation system that allows you to orient the speakers to 90 degrees to the right or left.



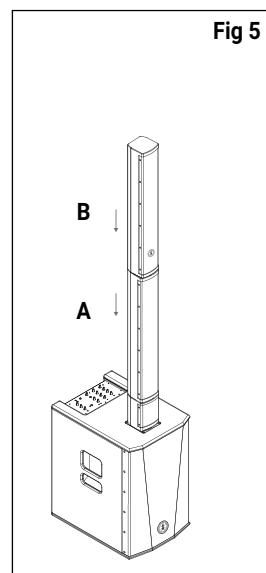
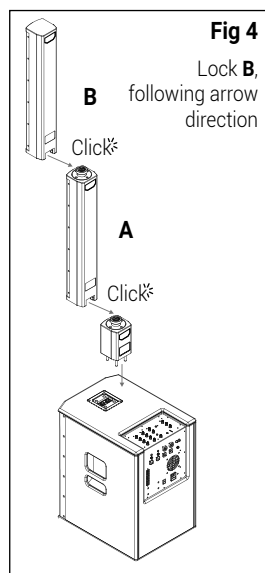
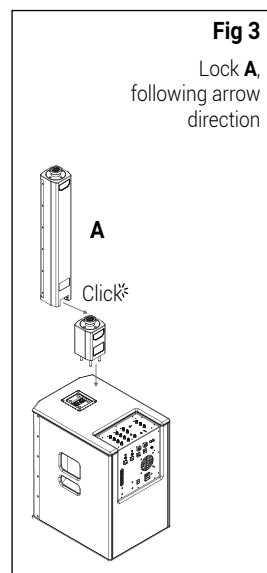
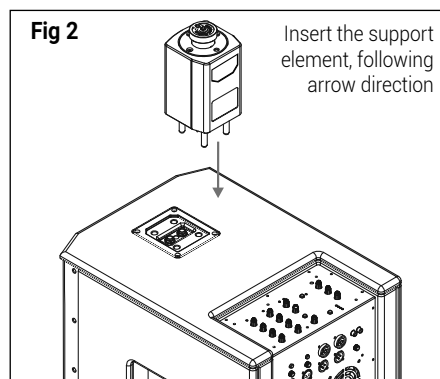
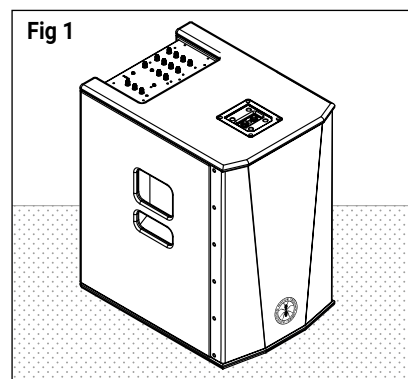
4 | INSTRUCTIONS FOR SYSTEM ASSEMBLY AND DISASSEMBLY

For system installation and to guarantee the correct operation, always carefully respect following instructions:

- Place the subwoofer in a vertical position on a flat and stable surface, making sure that all the rubber feet are perfectly adherent to the floor or to the supporting surface.
- Never install the system on mobile carts, chairs, tables or similar surfaces which are not stable and cannot bear the weight.
- To allow proper amplification heat dissipation, please leave the needed distance between the rear panel of the subwoofer and other objects such as walls, corners, curtains. Never place the unit near heat sources of any kind.
- Do not cover the ventilation slots located on subwoofer rear cabinet.

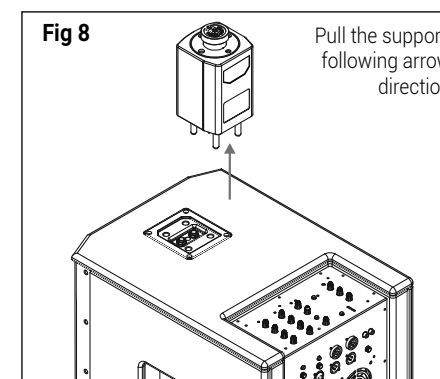
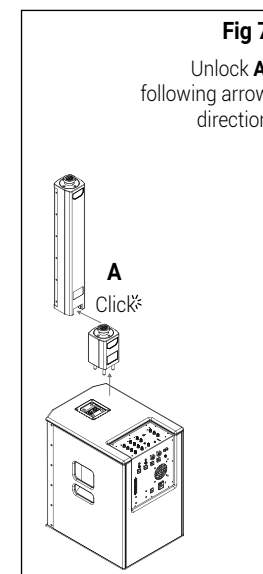
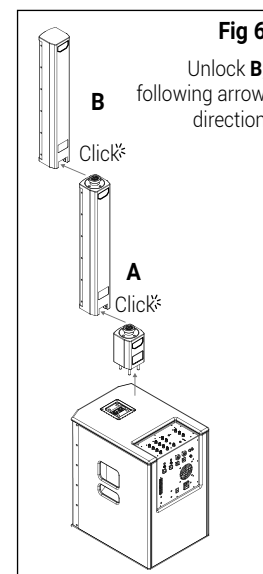
ASSEMBLY:

- Place the subwoofer on a level surface with no drops. (Fig. 1)
- Fasten the support element to the subwoofer by inserting the four steel guiding pins and the two audio jacks into their respective sockets. (Fig. 2)
- Slide the lower part of the first column speaker (A) into the upper part of the support until it locks. (Fig. 3)
- Repeat the operation to fix the second column speaker (B) with the upper part of the first column speaker (A). (Fig. 4 - Fig. 5)



DISASSEMBLY:

- Press the upper column speaker (B) from the back to release it from the lower column speaker (A). (Fig. 6)
- Repeat the same operation between the lower column (A) and the support element. (Fig. 7)
- Remove the support from the subwoofer and store all the elements. (Fig. 8)

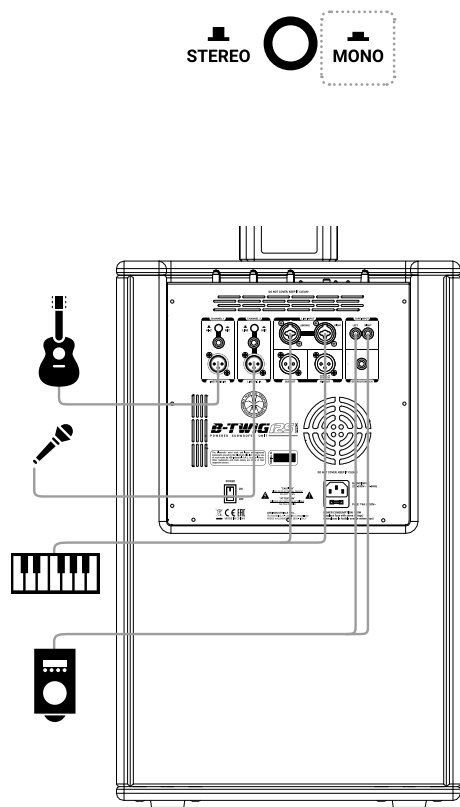


5 | APPLICATION CONFIGURATIONS

MONO - 1x B-TWIG 12 PRO

Use this MONO configuration as sound system for a small venue with one B-TWIG12 PRO system.

All the signals present on the input channels, CH1 - CH2 - CH3 - AUX / BT, are internally summed and reproduced in MONO.



APPLICATIONS

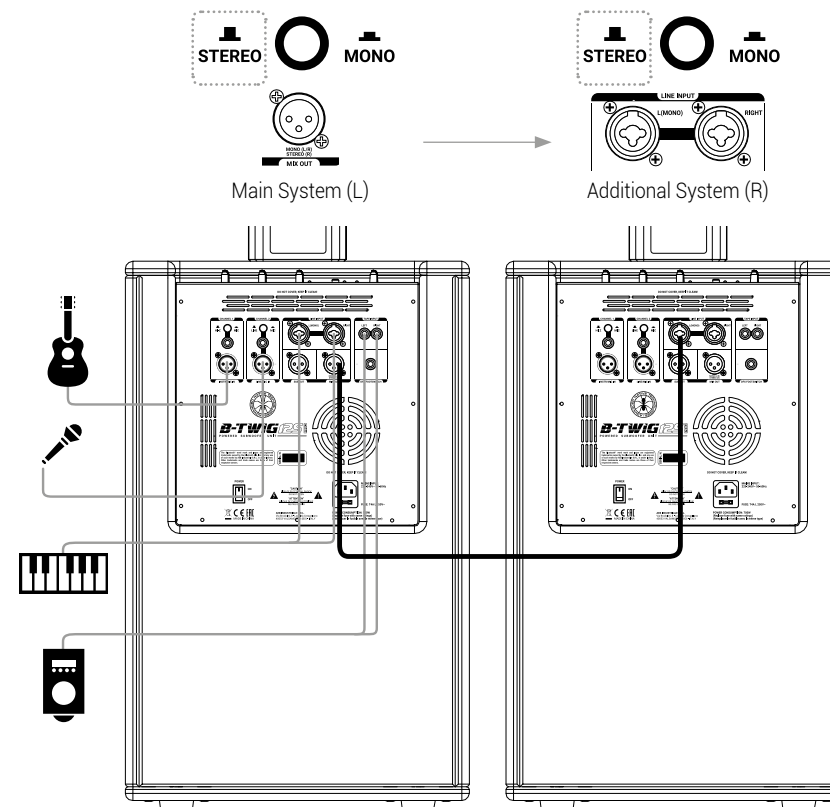
- Live Solo / Duo
- Piano Bar / Dj Set
- A/V Multi media, small dancing venues
- Cabaret / Corporate meetings

STEREO - 2x B-TWIG 12 PRO

Use this STEREO configuration to create a medium venue sound system, using two B-TWIG12 PRO systems. The signal present in the left channel (L) of all stereo inputs is summed and exclusively played back by the main system, while the signal in the right channel (R) of all stereo inputs is summed and exclusively played back from the additional system.

Adjust the MAIN LEVEL of each system in the same way.

NOTE: The signal of the Mono inputs CH1 and CH2 is reproduced equally on the left (main system) and on the right (additional system)



APPLICATIONS

- Live band / Rehearsal rooms
- Piano Bar / Dj Set
- A/V Multi media, dancing venues
- Fixed installations / Theatre

6 | TROUBLESHOOTING

PROBLEM	LED	SOLUTION
No sound or very low sound level	Power LED turned off.	Make sure the system is properly connected to the mains outlet.
	Power LED turned on, but low MAIN LEVEL.	Raise MAIN LEVEL knob.
Distortion	SIG/CLIP LED lit red	Lower inputs and/or MAIN LEVEL knob.
	ON/LIMIT LED lit green	Check the source level Check proper connection between subwoofer and A/B speaker elements
Booming sound		Lower SUB level
Harsh sound		Raise SUB level
		Lower MAIN LEVEL knob.
Attenuation of some frequencies that are predominant, not very faithful signal, reverberating environment		Try choosing a different preset, minding also the acoustic characteristics of the environment.

7 | TECHNICAL SPECIFICATIONS

System type	Active column system
Subwoofer (B-TWIG 12S PRO)	Vented enclosure 1 x 12" Ferrite - 2.5" VC - custom speaker
Column speaker (B-TWIG 12CS PRO)	12 x 3.5" - 1" VC - neodymium custom speakers
Average dispersion	120°
Frequency response	45Hz - 20kHz
MAX SPL	126 dB
Amplification	Class D
Peak power (LF + HF)	2800 W
Crossover	24dB/Oct @ 200Hz
DSP	56Bit
AD/DA conversion	24Bit / 48kHz
System EQ	4 presets
I/O connectors	CH1 & CH2: 2 x XLR-F + 2 x 6,35mm (1/4") jack CH 3 LINE IN: 2 x combo L/R TAPE IN: RCA L/R AUX IN: 1 x 3.5mm mini-jack SUB OUT/MIX OUT: 2 x XLR-M DFX FOOTSWITCH: 1 x 6,35mm (1/4") jack
Power supply	220-240V~ 50-60Hz
Fuse	T4A L 250V~
Power consumption	700 W
Fastening mechanism	Connector with automatic coupling and circular connection Speaker rotation - 90 degrees left/right

INDICE

1	Introduzione	25
2	Installazione	26
3	Descrizione	27
3.1	Ingressi & controlli	27
3.2	Connessioni	31
3.3	Alimentazione	35
3.4	KIT B-TWIG 12CS PRO	36
4	Istruzioni di montaggio e smontaggio del sistema	37
5	Configurazioni di utilizzo	40
6	Soluzione dei problemi	42
7	Caratteristiche tecniche	43
8	Note	45

CONTENUTO DELL'IMBALLO

- 1x Subwoofer attivo B-TWIG 12S PRO comprendente:
 - n.1 Elemento di sostegno
 - n.1 cavo di alimentazione (VDE)
- 1x Kit B-TWIG 12CS PRO comprendente:
 - n.2 diffusori passivi a colonna
- 1x Manuale d'uso - Sezione 1
- 1x Manuale d'uso - Sezione 2

Le avvertenze nel presente manuale devono essere osservate congiuntamente al "MANUALE D'USO - SEZIONE 2".

1 | INTRODUZIONE

Grazie per aver acquistato un prodotto **A.N.T - Advanced Native Technologies!** Nel sistema array **B-TWIG 12 PRO** abbiamo profuso la nostra passione ed il nostro know-how maturato nel corso degli anni per offrirvi un prodotto che soddisfi le vostre esigenze e mantenga la sua qualità nel tempo.

Progettato appositamente per un utilizzo estremamente immediato e semplice, risponde alle esigenze di quanti desiderano un sistema audio in grado di fornire ottime prestazioni, versatilità di connessioni e il miglior rapporto qualità/prezzo possibile nella sua categoria.

Caratterizzato da un look elegante e contemporaneo, coniuga in maniera ottimale caratteristiche professionali di grande qualità ed eccezionale valore come:

- DSP interno con 4 preset di equalizzazione;
- Unità DFX integrata caratterizzata da 16 preset con mandate e ritorno effetti inclusi;
- Mixer da 4CH provvisto di molteplici combinazioni I/O e connessione Bluetooth®;
- Soluzioni acustiche ottimizzate per garantire ottima qualità sonora in un'ampia gamma di frequenze;
- Meccanismo esclusivo di rotazione e orientamento delle colonne di 90° che può essere opportunamente utilizzato per direzionare la copertura acustica in base alle esigenze di utilizzo, installazione e posizionamento del sistema.

Sono disponibili diversi accessori opzionali per un utilizzo più semplice ed immediato del prodotto.

Ritagliatevi qualche minuto per leggere questo manuale di istruzioni in modo tale da ottenere rapidamente il massimo delle performance da questo prodotto.

Per le istruzioni relative a sicurezza, le precauzioni, la garanzia e lo smaltimento fate riferimento all'allegato sezione 2.

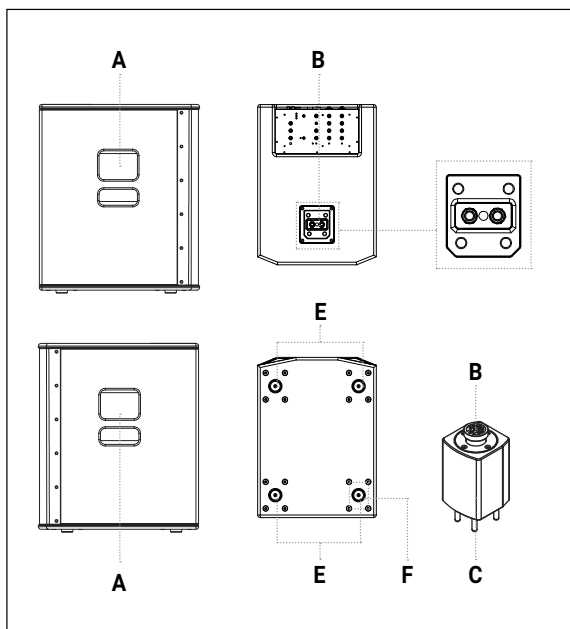
Per ulteriori informazioni su tutti i prodotti del catalogo **A.N.T** consultate il nostro sito: www.ant-intomusic.com

2 | INSTALLAZIONE

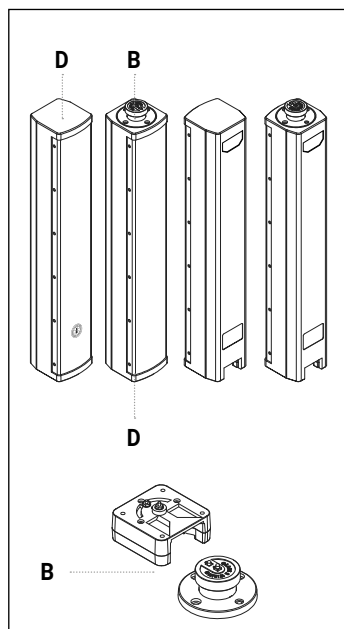
Il sistema è composto da un subwoofer attivo **B-TWIG 12S PRO** e dal kit **B-TWIG 12CS PRO**:

- A** | Maniglie laterali incassate.
- B** | Connettore di attacco e sgancio rapido degli elementi.
- C** | Elemento di sostegno/stativo.
- D** | Diffusori a colonna passivi dotati di maniglie posteriori incassate.
- E** | Piedini antiscivolamento in gomma.
- F** | Predisposizione di fissaggio per ruote di trasporto.

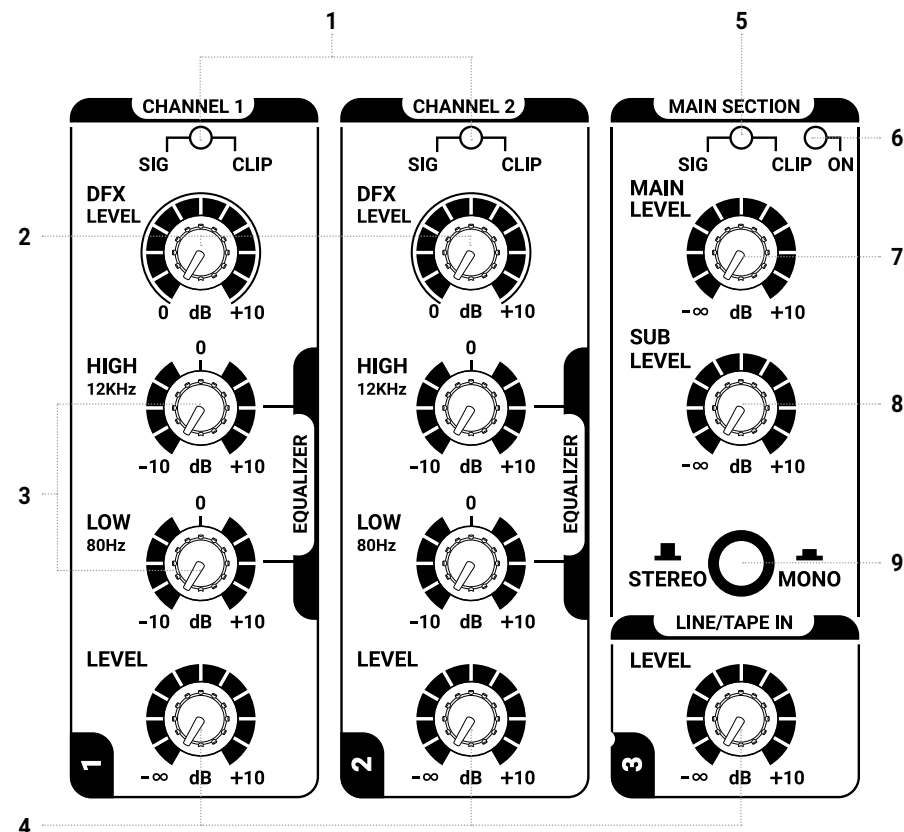
B-TWIG 12S PRO



B-TWIG 12CS PRO



3 | DESCRIZIONE



3.1 | INGRESSI & CONTROLLI

1 CH1 / CH2 - INDICATORE BICOLORE SIG/CLIP

Verde: il segnale è presente nel rispettivo canale.
Rosso: il segnale in ingresso è molto forte ed è prossimo alla distorsione.
Se l'indicatore si accende con continuità, è necessario ridurre il segnale in ingresso o regolare diversamente l'EQ del canale riducendo l'esaltazione introdotta dai guadagni dei toni HIGH-LOW.

2 CH1 / CH2 - DFX LEVEL

Questa mandata, influenzata dal controllo di livello del singolo canale, permette di regolare il segnale inviato all'unità effetti interna DFX.

3 CH1 / CH2 - EQUALIZER

Questo equalizzatore a due bande permette di enfatizzare o attenuare le frequenze alte e/o basse per ottenere il suono desiderato.

4 CH1 / CH2 / LINE/TAPE IN - LEVEL

Queste manopole regolano il volume del canale corrispondente, ruotatele verso destra per alzare il livello, verso sinistra per diminuirlo.

5 MAIN SECTION - INDICATORE BICOLORE SIG/CLIP

Verde: il segnale è presente nel canale MAIN.

Rosso: il segnale in ingresso al MAIN è molto forte ed è prossimo alla distorsione.

Se l'indicatore si accende con continuità, è necessario ridurre il livello MAIN LEVEL o regolare diversamente i livelli di CH1 / CH2 / LINE/TAPE IN e AUX.

6 INDICATORE ON

Il led ON si accende quando l'apparecchio è collegato alla rete elettrica e l'interruttore di accensione è posizionato su ON.

7 MAIN LEVEL

Questo controllo regola il volume di uscita generale del sistema. Girate la manopola in senso orario per aumentare il volume o in senso antiorario per abbassarlo.

8 SUB LEVEL

Questo controllo regola il volume di uscita del subwoofer e permette di bilanciare il livello delle frequenze basse, in base alla risposta acustica dell'ambiente. Girate la manopola in senso orario per aumentare il volume del sub o in senso antiorario per abbassarlo.

9 TASTO STEREO / MONO

Permette di selezionare la configurazione di ascolto del sistema nelle due modalità di funzionamento: STEREO o MONO.

- Posizionate il tasto su MONO quando utilizzate un singolo sistema B-TWIG 12 PRO; in questo caso tutti i segnali stereo presenti in ingresso sono sommati internamente. È possibile collegare una unità supplementare tramite l'uscita MIX OUT MONO (L/R) duplicando il fronte sonoro.

- Posizionate il tasto su STEREO quando utilizzate due sistemi B-TWIG 12 PRO; in questo caso tutti i segnali stereo presenti in ingresso sono miscelati in LEFT/RIGHT e contemporaneamente associati ai rispettivi sistemi come segue:

il canale sinistro (L) di tutti gli ingressi stereo è riprodotto dall'unità principale, mentre il canale destro (R) di tutti gli ingressi stereo è riprodotto dall'unità supplementare, collegata all'uscita MIX OUT STEREO (R)

10 PAIR - TASTO & INDICATORE LUMINOSO

Utilizzate questo tasto per sincronizzare il dispositivo Bluetooth® con il sistema usando la seguente procedura:

- premete il tasto PAIR per circa 3 secondi finché il led lampeggia ritmicamente;
- per inizializzare la sincronizzazione attivate il Bluetooth® dall'interfaccia utente del vostro dispositivo mobile;

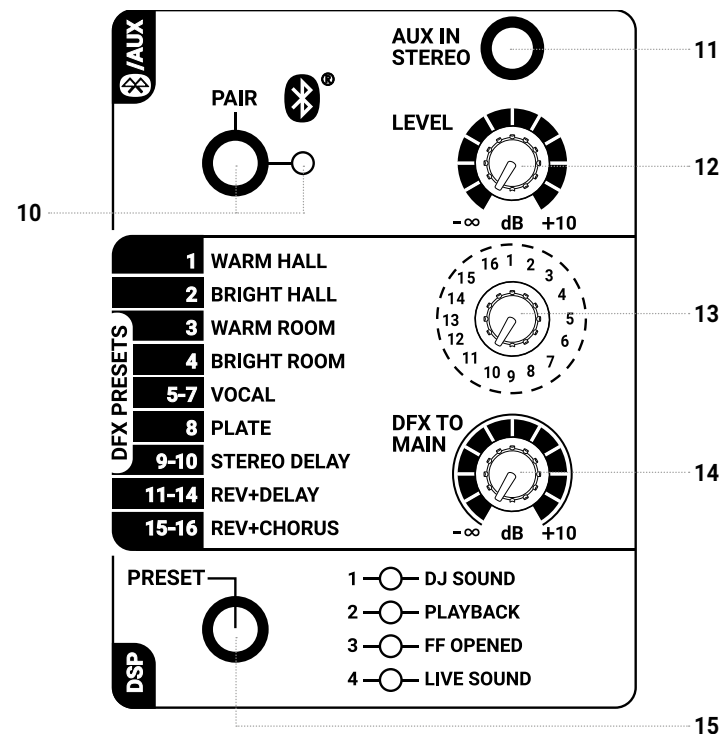
- nell'elenco degli apparecchi rilevati dal vostro smartphone o tablet selezionate "B-TWIG 12 PRO" per sincronizzare il vostro dispositivo mobile con il sistema.

Al termine dell'operazione la spia rimane accesa in maniera fissa e la riproduzione dei brani può essere avviata, a condizione che la distanza massima tra il dispositivo non superi i 10 metri.

La connessione Bluetooth® può essere disattivata in qualsiasi momento mantenendo premuto per 3 secondi il tasto PAIR o dissociando l'unità B-TWIG 12 PRO dal dispositivo mobile. In entrambi i casi l'indicatore luminoso lampeggia lentamente ogni 5 secondi, comunicando la disattivazione del collegamento.

11 AUX IN STEREO

Questo ingresso stereo da 3,5mm accetta il segnale via cavo da dispositivi esterni, come smartphone, tablet, PC o qualsiasi altro apparecchio dotato di uscita mini-jack stereo.



12 BLUETOOTH® / AUX - LEVEL

Questa manopola regola il volume degli ingressi AUX IN STEREO e BLUETOOTH®, ruotatela verso destra per alzare il livello, verso sinistra per diminuirlo.

13 DFX PRESETS

Questo selettore a 16 posizioni vi permette di scegliere il tipo di effetto. Per un riferimento rapido l'elenco degli effetti è riportato di fianco a sinistra del selettore. I primi 4 effetti emulano diversi riverberi caratterizzati da riflessioni del suono all'interno di due ambienti diversi, i 4 successivi (5-8) sono suggeriti in particolare per la voce o percussioni in genere, i delay stereo generano il classico effetto di ritardo del segnale principale, infine sono presenti le combinazioni multi-effetto (11-16) ideali per la voce e una buona parte di strumenti solisti.

14 DFX TO MAIN

Questa manopola stabilisce il livello complessivo del segnale dell'unità effetti DFX per l'uscita principale. Utilizzatela per aumentare o diminuire la quantità dei segnali processati da inviare al MAIN LEVEL.

15 DSP - TASTO PRESET E INDICATORE LUMINOSO

Premete questo tasto per selezionare l'equalizzazione adeguata all'utilizzo del sistema. La spia illuminata indica il preset attivato.

• DJ SOUND

Indicato per le installazioni in disco club o un DJ SET mobile, per i quali è richiesta una timbrica d'impatto con una predominanza di bassi molto profondi e coinvolgenti.

• PLAYBACK

Per l'ascolto e utilizzo di musica riprodotta (lettori CD, MP3, etc.). Le frequenze basse e alte sono enfatizzate. Indicato per tutte quelle situazioni nelle quali la musica è diffusa come sottofondo anche a volumi contenuti.

• FF OPENED

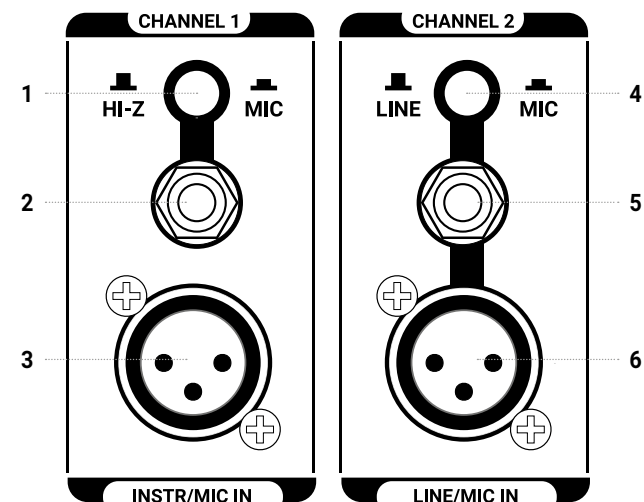
Questo preset ottimizza l'intelligibilità del parlato con una risposta dinamica accurata e bilanciata. È particolarmente adatto per la diffusione di annunci, avvisi e messaggi vocali, così come per l'ascolto e utilizzo di musica riprodotta, con entrambe le colonne direzionate in maniera opposta rispetto al fronte d'onda principale di ascolto.

NOTA: il preset FF OPENED non sostituisce una corretta disposizione dei diffusori, né interviene con ritardi differenziati di emissione del segnale su ogni singolo trasduttore.

• LIVE SOUND

Per l'utilizzo del sistema durante le performance dal vivo. Caratterizzato da una risposta lineare e fedele, è indicato per concerti in locali, musicisti e cantanti.

3.2 | CONNESSIONI



1 TASTO HI-Z / MIC - CH1

Questo tasto permette di commutare l'impedenza del segnale di ingresso nel canale 1.

Posizionate il tasto su MIC per collegare un microfono e su HI-Z quando avete la necessità di collegare una chitarra elettroacustica. Il tasto agisce solo sulla presa di ingresso Jack da 6,35mm.

2 HI-Z INPUT - CH1

Ingresso bilanciato con presa jack da 6,35mm. È possibile usare anche un cavo non bilanciato.

3 MIC INPUT - CH1

Ingresso microfono bilanciato con presa XLR-F.

4 TASTO LINE / MIC - CH2

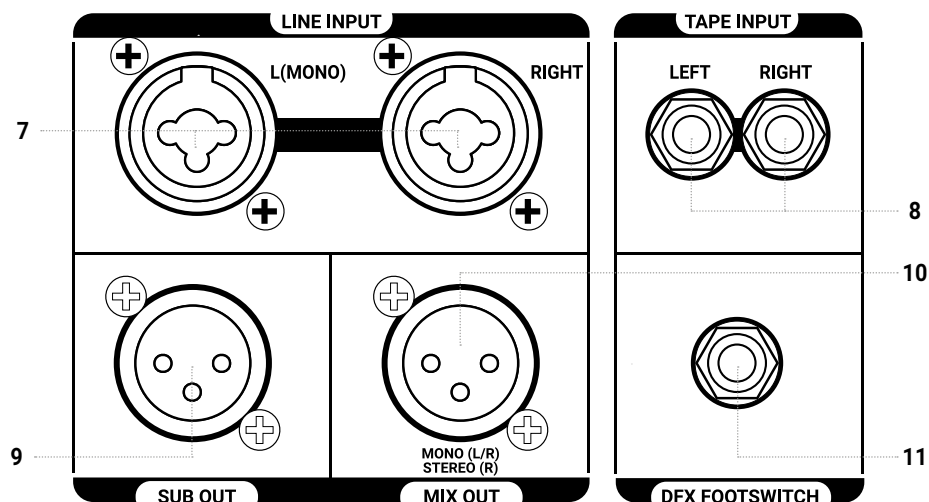
Posizionate il tasto su LINE per l'utilizzo di una sorgente a livello linea o su MIC per l'utilizzo di un microfono.

5 LINE INPUT - CH2

Ingresso bilanciato con presa jack da 6,35 mm. È possibile usare anche un cavo non bilanciato.

6 MIC INPUT - CH2

Ingresso microfono bilanciato con presa XLR-F.



7 LINE INPUT L/R

Ingressi linea bilanciati con prese COMBO (XLR-F + Jack da 6,35mm); collegando un solo cavo alla presa L (MONO), il segnale è processato internamente come mono. Il volume di questi ingressi è regolato tramite la manopola del canale 3.

8 TAPE INPUT L/R

Ingresso linea sbilanciato con prese RCA L/R. Collegare a queste prese l'uscita di un apparecchio hi-fi (CD) o altro dispositivo con uscite RCA L/R. Il volume di questi ingressi è regolato tramite la manopola del canale 3.

9 SUB OUT

Uscita XLR-M bilanciata per il rilancio del segnale verso un altro subwoofer attivo. Il livello è influenzato dalla manopola SUB LEVEL e dalla manopola MAIN.

10 MIX OUT L/R - R

Uscita XLR-M bilanciata per il rilancio del segnale MAIN MIX ad un altro sistema B-TWIG 12 PRO.

L'uscita è influenzata dalla posizione del tasto STEREO/MONO descritto al punto 9, cap. 3.1. Con il tasto abbassato (MONO): tutti i segnali presenti sui canali di ingresso sono sommati internamente e l'uscita MIX OUT fornisce il segnale per un sistema supplementare di rinforzo.

Con il tasto sollevato (STEREO): il segnale presente nel canale sinistro (L) di tutti gli ingressi stereo viene associato e riprodotto esclusivamente dal sistema principale, mentre il segnale presente nel canale destro (R) di tutti gli ingressi stereo viene associato e riprodotto dal sistema supplementare.

NOTA: Il segnale degli ingressi Mono CH1 e CH2 è riprodotto in modo uguale a sinistra (sistema principale) e a destra (sistema supplementare)

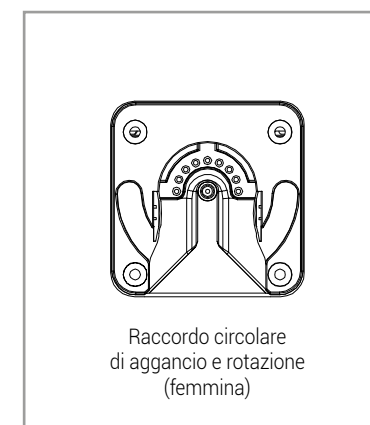
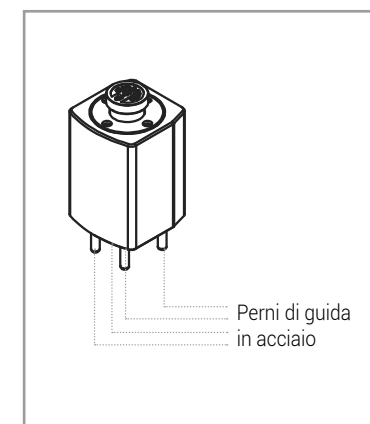
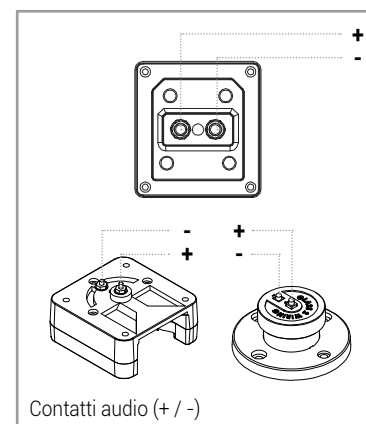
ATTENZIONE: quando collegate due sistemi in configurazione stereo, impostate i controlli del sistema supplementare (R) in modo identico per ottenere un fronte sonoro stereo equilibrato e bilanciato.

11 DFX FOOTSWITCH

Collegate a questa presa jack sbilanciata un pedale esterno per l'inserimento o l'esclusione degli effetti interni. Premete una volta per disattivare gli effetti e una seconda volta per riattivarli.

12 SISTEMA DI CONNESSIONE RAPIDO DEGLI ELEMENTI

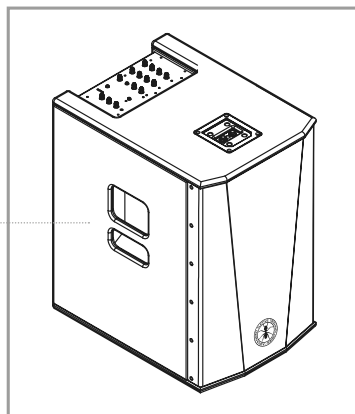
Questo meccanismo permette l'aggancio e lo sgancio degli elementi che compongono il sistema, assicurandone la perfetta funzionalità in tutta sicurezza.



13 MANIGLIE LATERALI INCASSATE SUBWOOFER

Utilizzate queste maniglie per il trasporto ed il posizionamento del subwoofer. Non usatele per appendere il subwoofer o per bloccarlo in qualsiasi posizione.

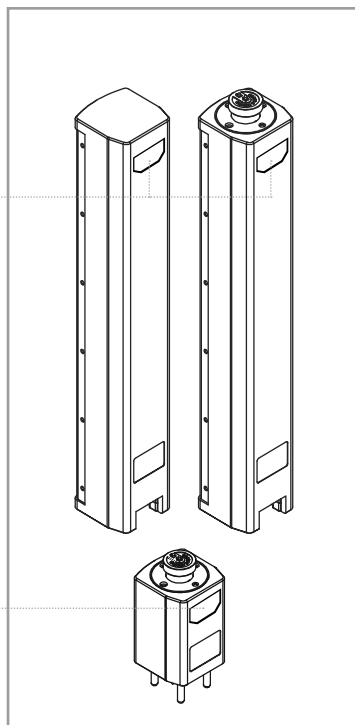
13



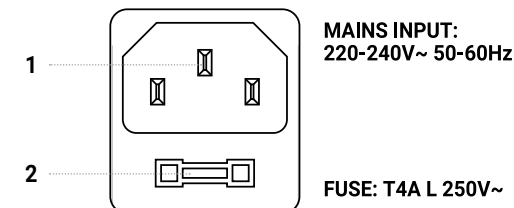
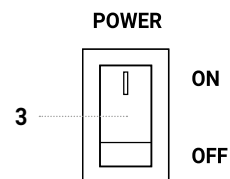
14 MANIGLIE POSTERIORI INCASSATE COLONNE / ELEMENTO DI SOSTEGNO

Utilizzate queste maniglie per il trasporto ed il posizionamento degli elementi. Non usatele per appendere i diffusori alla parete, al soffitto o per bloccare le colonne in qualsiasi posizione.

14



3.3 | ALIMENTAZIONE



MAINS INPUT:
220-240V~ 50-60Hz

FUSE: T4A L 250V~

POWER CONSUMPTION: 700W
(Replace fuse with same ratings)
(Remplacer le fusible avec le même type)

1 MAINS INPUT

Presa IEC di ingresso con filtro di rete integrato. Ogni confezione è fornita del cavo di alimentazione necessario, specifico per la vostra zona. Inserite in questa presa il cavo per l'alimentazione elettrica ma accertatevi che l'apparecchio sia spento prima di collegare il cavo alla rete. Per la vostra sicurezza, non scollegate mai il polo centrale di terra.



ATTENZIONE!

Non rimuovere mai la griglia frontale di protezione del prodotto. Per prevenire il pericolo di scossa elettrica, in caso di danneggiamento accidentale o sostituzione della griglia di protezione (da effettuarsi presso il servizio assistenza), disconnettere immediatamente l'alimentazione.



ATTENZIONE: Per ridurre il rischio di scosse elettriche, non connettere mai l'alimentazione di rete all'apparecchio mentre la griglia è rimossa.

2 FUSE

Fusibile di protezione integrato alla presa elettrica.



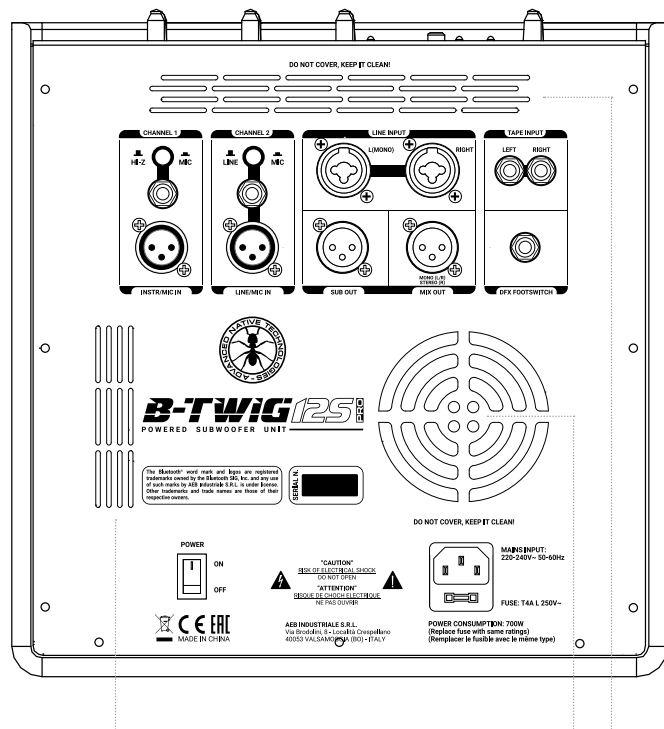
ATTENZIONE: Sostituire il fusibile unicamente con uno dello stesso tipo e con gli stessi valori. Se il fusibile continua a saltare rivolgetevi ad un centro di assistenza autorizzato.

3 POWER ON/OFF

Interruttore per accensione/spegnimento dell'apparecchio.

4 VENTOLA DI RAFFREDDAMENTO E FORI DI AREAZIONE

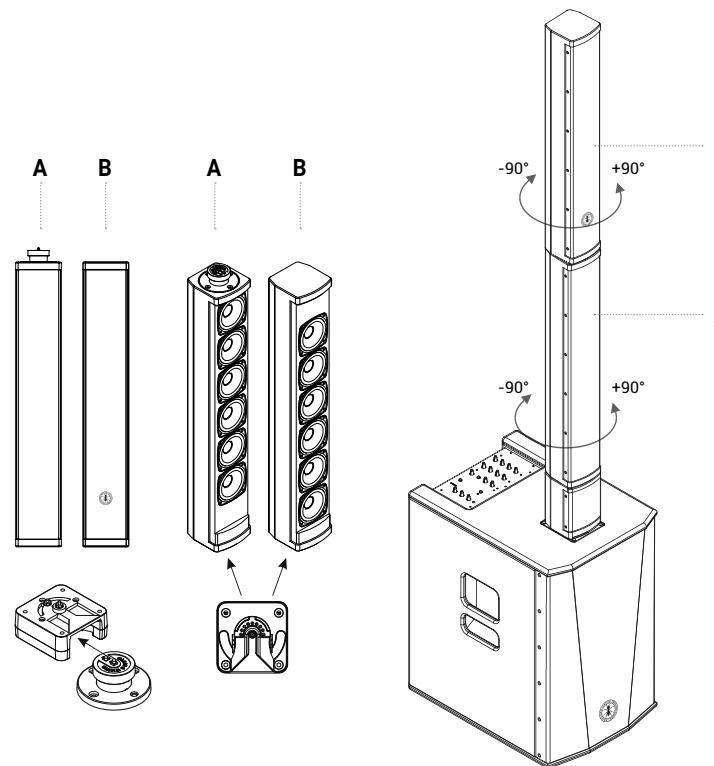
Il processo di raffreddamento dell'amplificatore e il mantenimento della temperatura del pannello nei limiti di legge è garantito da una corretta areazione dell'apparecchio, pertanto si raccomanda di non ostruire o coprire in nessun modo i fori di ventilazione presenti sul telaio posteriore del subwoofer.



4

3.4 | KIT B-TWIG 12CS PRO

Il kit è composto da due elementi a colonna identici. Entrambi sono dotati del meccanismo di fissaggio ad incastro che permette l'aggancio e lo sgancio rapido degli elementi che compongono il sistema, assicurandone la perfetta funzionalità in tutta sicurezza. Inoltre è presente un sistema di rotazione che consente di orientare i diffusori a 90° verso destra o sinistra.



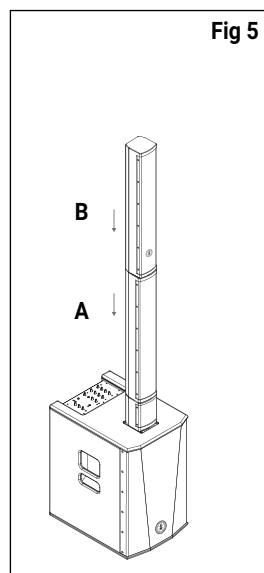
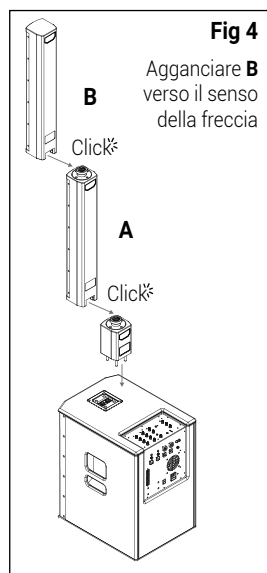
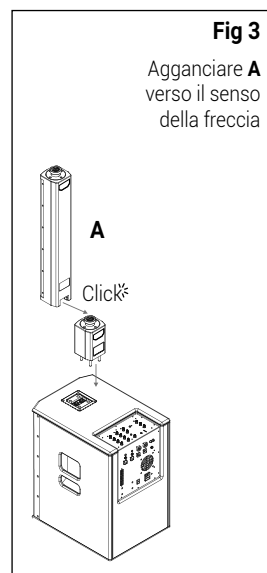
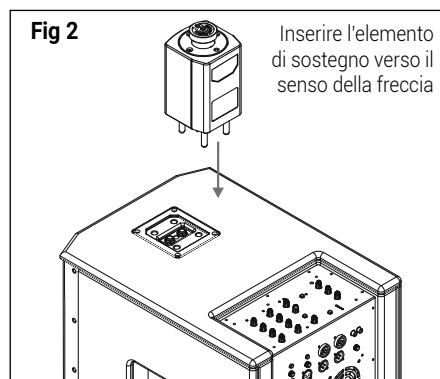
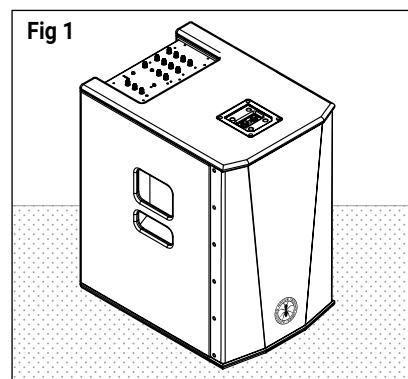
4 | ISTRUZIONI DI MONTAGGIO E SMONTAGGIO DEL SISTEMA

Per l'installazione degli apparecchi e a garanzia del loro corretto funzionamento, attenetevi scrupolosamente alle seguenti istruzioni:

- Posizionate il subwoofer in posizione verticale su una superficie piana e stabile, assicurandovi che tutti i piedini inferiori in gomma siano perfettamente aderenti al pavimento o alla superficie di appoggio.
- Non installate mai il sistema su carrelli mobili, sedie, tavoli o oggetti simili che non siano stabili o in grado di sopportare il peso.
- Per consentire una corretta dissipazione del calore dell'amplificazione, lasciate una distanza sufficiente tra il pannello posteriore del subwoofer e altri oggetti quali pareti, angoli, tende, e non posizionate mai l'apparecchio vicino sorgenti di calore di qualsiasi tipo.
- Non ostruite mai le feritoie di aerazione collocate sul telaio posteriore del subwoofer.

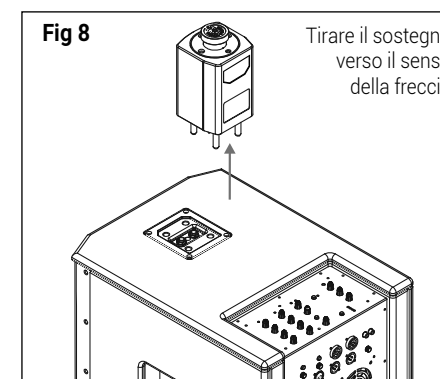
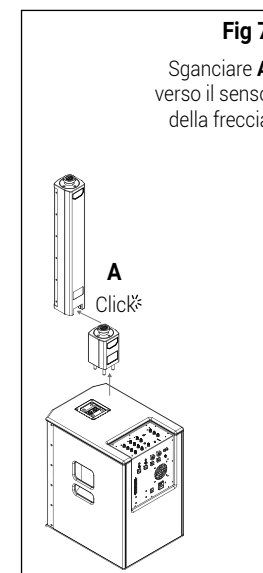
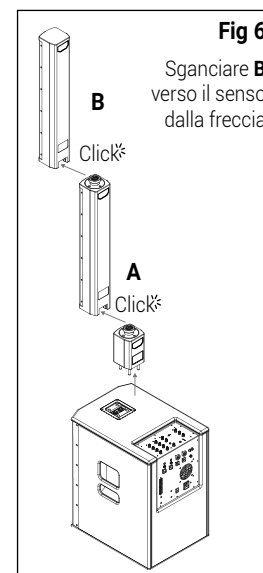
INSTALLAZIONE:

- Collocate il subwoofer su una superficie piana e priva di qualsiasi dislivello (Fig. 1).
- Assicurate l'elemento di sostegno al subwoofer inserendo i quattro perni in acciaio e i due jack audio nelle rispettive prese (Fig. 2)
- Fate scorrere la parte inferiore del primo diffusore a colonna (A) nella parte superiore del sostegno fino al bloccaggio. (Fig. 3)
- Ripetete l'operazione per fissare il secondo diffusore a colonna (B) con la parte superiore del primo diffusore (A) (Fig. 4 e Fig. 5).



DISINSTALLAZIONE:

- Premete posteriormente il diffusore a colonna superiore (B) per sganciarlo dal diffusore a colonna inferiore (A) (Fig. 6).
- Ripetete la stessa operazione fra colonna inferiore (A) ed elemento di sostegno (Fig. 7).
- Sfilate il sostegno dal subwoofer e riponete tutti gli elementi (Fig. 8).

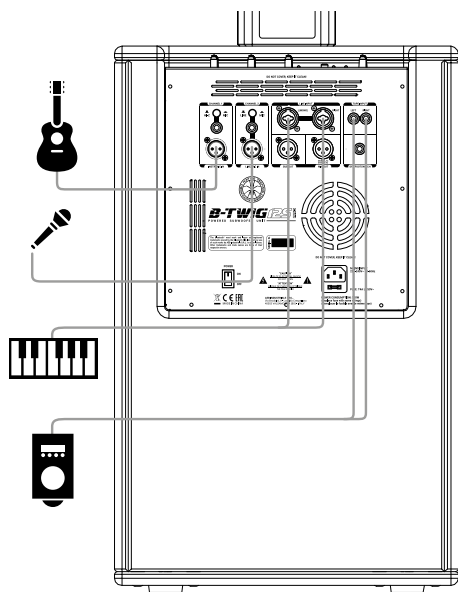


5 | CONFIGURAZIONI DI UTILIZZO

MONO - 1x B-TWIG 12 PRO

Utilizzate questa configurazione MONO per sonorizzare un ambiente contenuto con un sistema B-TWIG12 PRO.

Tutti i segnali presenti sui canali di ingresso, CH1 - CH2 -CH3 - AUX/BT, sono sommati internamente e riprodotti in MONO.



APPLICAZIONI

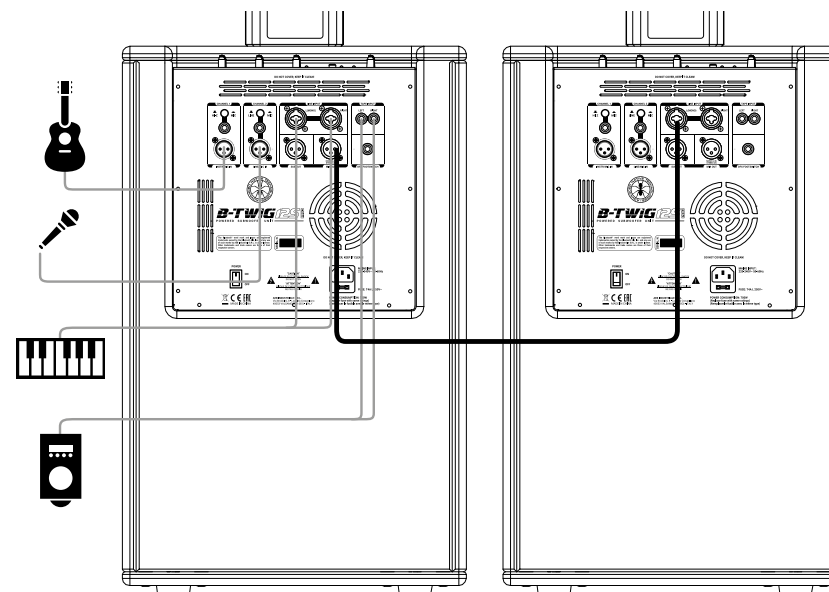
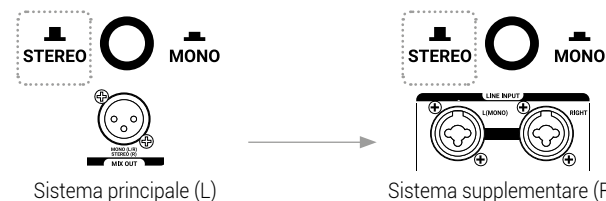
- Live Solo/Duo
- Piano Bar/Dj Set
- A/V Multi media, Piccole sale da ballo
- Cabaret e presentazioni aziendali

STEREO - 2x B-TWIG 12 PRO

Utilizzate questa configurazione STEREO per sonorizzare un ambiente medio con due sistemi B-TWIG12 PRO.

Il segnale presente nel canale sinistro (L) di tutti gli ingressi stereo viene associato e riprodotto esclusivamente dal sistema principale, mentre il segnale presente nel canale destro (R) di tutti gli ingressi stereo viene associato e riprodotto dal sistema supplementare. Regolate in modo omogeneo il MAIN LEVEL di ogni sistema.

NOTA: Il segnale degli ingressi Mono CH1 e CH2 è riprodotto in modo uguale a sinistra (sistema principale) e a destra (sistema supplementare)



APPLICAZIONI

- Live band/Sale prova
- Piano Bar/Dj Set
- A/V Multi media, sale da ballo
- Installazioni fisse/ Applicazioni teatrali

6 | SOLUZIONE DEI PROBLEMI

PROBLEMA	SPIE	SOLUZIONE
Assenza di suono o suono troppo basso	LED Power spento	Assicuratevi che l'apparecchio sia collegato correttamente alla presa di corrente.
	LED Power acceso ma MAIN LEVEL abbassato.	Alzate la manopola MAIN LEVEL.
Distorsione	Led SIG/CLIP rosso	Attenuate il livello dei canali di ingresso e/o di MAIN LEVEL.
	Led SIG/CLIP verde	Controllate il livello della sorgente. Controllate la perfetta connessione fra subwoofer ed elementi A/B.
Suono risonante		Attenuate SUB LEVEL.
Suono stridente		Alzate SUB LEVEL. Abbassate MAIN LEVEL.
Attenuazione di alcune frequenze che risultano predominanti, segnale poco fedele, ambiente riverberante		Provate a scegliere un preset diverso, tenendo anche conto delle caratteristiche acustiche dell'ambiente

7 | CARATTERISTICHE TECNICHE

Tipo	Sistema a colonna amplificato
Subwoofer (B-TWIG 12S PRO)	Cabinet Bass reflex 1 x altoparlante custom da 12" in ferrite - 2.5" VC
Kit Diffusori a colonna (B-TWIG 12CS PRO)	12 x altoparlanti custom al neodimio da 3.5" - 1" VC
Dispersione media	120°
Risposta in frequenza	45Hz - 20kHz
SPL - MAX	126 dB
Amplificatore	Classe D
Potenza di picco LF + HF	2800 W
Crossover	24dB/Oct @ 200Hz
DSP	56Bit
Conversione audio AD/DA	24Bit / 48kHz
Equalizzazione sistema	4 preset
Connettori I/O	CH1 & CH2: 2 x XLR-F + 2 x jack 6,35mm (1/4") CH 3 LINE IN: 2 x combo L/R TAPE IN: RCA L/R AUX IN: 1 x mini-jack 3.5mm SUB OUT/MIX OUT: 2 x XLR-M DFX FOOTSWITCH: 1 x jack 6,35mm (1/4")
Alimentazione	220-240V~ 50-60Hz
Fusibile	T4A L 250V~
Max assorbimento di potenza	700 W
Meccanismo di fissaggio	Connettore con aggancio automatico e raccordo circolare Rotazione diffusori - 90° destra / sinistra

TABLE DES MATIÈRES

1	Introduction	47
2	Installation	48
3	Description	49
3.1	Entrées & contrôles	49
3.2	Connexions	53
3.3	Alimentation	57
3.4	KIT B-TWIG 12CS PRO	58
4	Instructions de montage et de démontage du système	59
5	Configurations d'utilisation	62
6	Dépannage	64
7	Spécifications techniques	65
8	Note	67

CONTENU DE L'EMBALLAGE

- 1 x Subwoofer actif B-TWIG 12S PRO comprenant :
 - 1 élément de support
 - 1 câble d'alimentation (VDE)
- 1 x Kit B-TWIG 12CS PRO comprenant :
 - 2 enceintes passives en colonne
- 1 x notice d'emploi - Section 1
- 1 x notice d'emploi - Section 2

Respectez impérativement les avertissements ou mises en garde contenus dans la présente notice d'emploi ainsi que les indications de la « **NOTICE D'EMPLOI - SECTION 2** ».

1 | INTRODUCTION

Nous vous remercions d'avoir acheté un produit **A.N.T – Advanced Native Technologies** !

Le système array **B-TWIG 12 PRO** est le fruit à la fois de notre grande passion pour notre métier et de notre expérience pluriannuelle. Il a été développé pour vous offrir un produit répondant à toutes vos exigences et attentes, tout en maintenant durablement ses performances et sa qualité de haut niveau.

Conçu spécifiquement pour une utilisation extrêmement intuitive et simple, il répond aux besoins de ceux qui veulent un système audio capable de fournir d'excellentes performances, une grande polyvalence de connexions et de contrôles et le meilleur rapport qualité-prix possible pour sa catégorie.

Caractérisé par un look élégant et contemporain, il allie de manière optimale des caractéristiques professionnelles de grande qualité et une valeur exceptionnelle telles que :

- DSP interne avec 4 pré réglages d'égalisation ;
- Unité DFX intégrée comprenant 16 pré réglages avec envois et retours effets inclus ;
- Table de mixage 4CH avec plusieurs combinaisons d'E/S et connexion Bluetooth® ;
- Solutions acoustiques optimisées offrant une qualité de son optimale dans une gamme de fréquences très large ;
- Mécanisme exclusif de rotation et d'orientation des colonnes à 90° permettant d'orienter la couverture acoustique en fonction des besoins d'utilisation, d'installation et de positionnement du système

Divers accessoires en option sont disponibles pour une utilisation plus simple et immédiate du produit.

Les quelques instants que vous consacrerez à la lecture de cette notice d'emploi vous permettront de bien connaître ce produit et par là même de bénéficier pleinement de ses performances.

Pour les consignes de sécurité, les précautions, la garantie et l'élimination, se référer à la section 2.

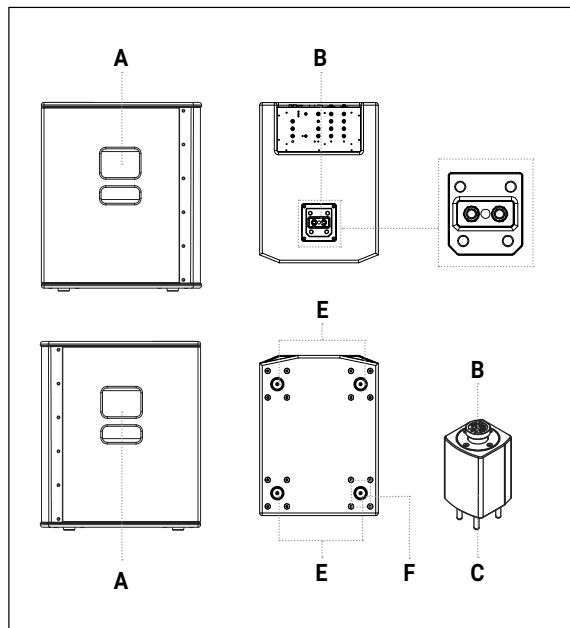
Pour d'autres informations sur tous les produits du catalogue **A.N.T**, rendez-vous sur notre site : **www.ant-intomusic.com**

2 | INSTALLATION

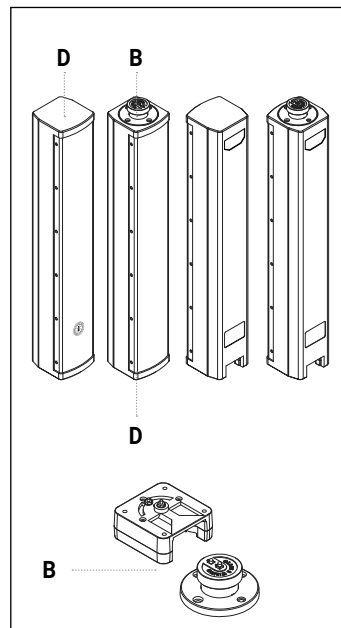
Le système se compose d'un subwoofer actif **B-TWIG 12S PRO** et du kit **B-TWIG 12CS PRO** :

- A** | Poignées latérales encastrées.
- B** | Connecteur d'accrochage et décrochage rapide des éléments.
- C** | Élément de support/statif.
- D** | Enceintes en colonne passives avec poignées arrière encastrées.
- E** | Pieds en caoutchouc anti-dérapant.
- F** | Prédispotion de fixation pour roues de transport.

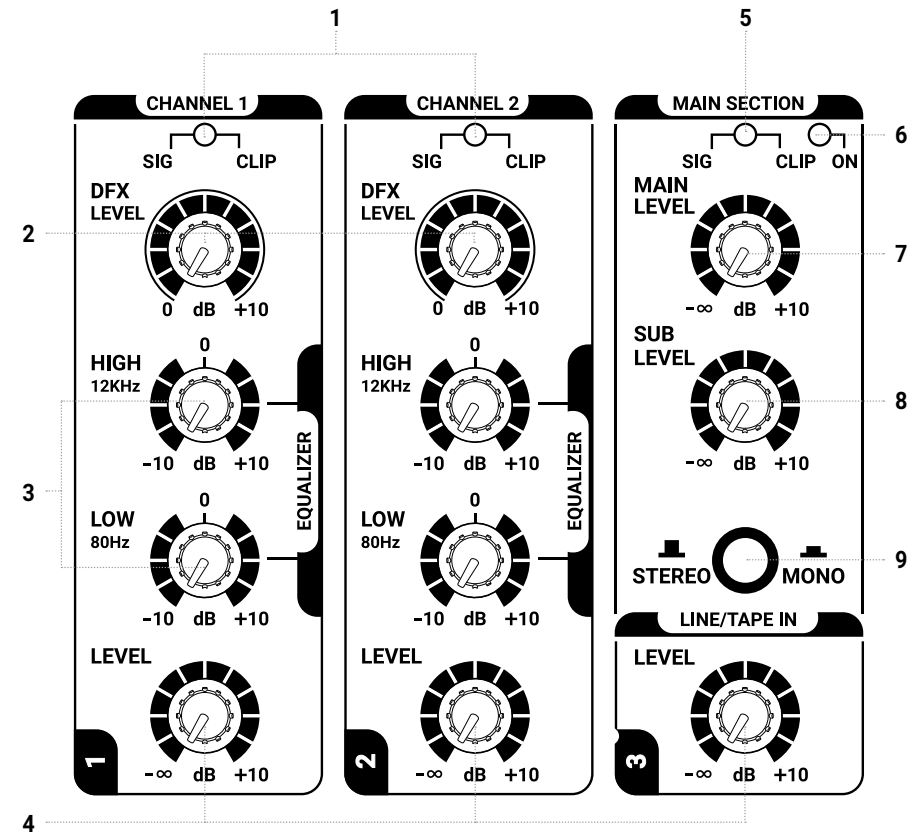
B-TWIG 12S PRO



B-TWIG 12CS PRO



3 | DESCRIPTION



3.1 | ENTRÉES & CONTRÔLES

1 CH1 / CH2 - INDICATEUR BICOLORE SIG/CLIP

Vert : le signal est présent dans le canal correspondant.
Rouge : le signal d'entrée est très fort, proche de la distortion.
Si le voyant reste allumé en permanence, réduire le signal en entrée ou régler l'égaliseur du canal différemment en réduisant le boost introduit par les gains de tonalités HI-MID-LOW.

2 CH1 / CH2 - DFX LEVEL

Cet envoi, influencé par le contrôle de niveau du canal unique, permet d'ajuster le signal envoyé à l'unité d'effets intérieure DFX.

3 CH1 / CH2 - EQUALIZER

Cet égaliseur à deux bandes permet de mettre en valeur ou d'atténuer les hautes et/ou basses fréquences pour obtenir le son souhaité.

4 CH1 / CH2 / LINE/TAPE IN - LEVEL

Ce bouton ajuste le volume du canal correspondant, tournez-le vers la droite pour augmenter le volume, vers la gauche pour le diminuer.

5 MAIN SECTION - INDICATEUR BICOLORE SIG/CLIP

Vert : le signal est présent sur le canal MAIN.

Rouge : le signal en entrée du MAIN est très fort, proche de la distorsion.

Si le voyant s'allume en continu, réduire le niveau MAIN LEVEL ou régler différemment les niveaux de CH1 / CH2 / LINE/TAPE IN et AUX.

6 INDICATEUR LED ON

La led ON s'allume lorsque l'appareil est branché sur le secteur et le commutateur d'allumage est enfoncé.

7 MAIN LEVEL

Ce contrôle règle le volume global de sortie du système. Tournez le bouton dans le sens des aiguilles d'une montre pour augmenter le volume ou dans le sens contraire pour l'abaisser.

8 SUB LEVEL

Ce contrôle permet de régler le volume de sortie du subwoofer et d'équilibrer le niveau des basses fréquences en fonction de la réponse acoustique de l'environnement. Tournez le bouton dans le sens des aiguilles d'une montre pour augmenter le volume du sub ou dans le sens contraire pour l'abaisser.

9 BOUTON STÉRÉO / MONO

Il permet de sélectionner la configuration d'écoute du système dans les deux modes de fonctionnement : STÉRÉO OU MONO.

- Réglez le bouton sur MONO lorsque vous utilisez un seul système B-TWIG 12 PRO ; dans ce cas, tous les signaux stéréo présents à l'entrée sont ajoutés en interne. Vous pouvez connecter une unité supplémentaire via la sortie MIX OUT MONO (L/R) en dupliquant le front sonore.

- Réglez le bouton sur STÉRÉO lorsque vous utilisez deux systèmes B-TWIG 12 PRO. Dans ce cas, tous les signaux stéréo présents à l'entrée sont mélangés en GAUCHE/DROITE et associés simultanément aux systèmes respectifs comme suit :

le canal gauche (L) de toutes les entrées stéréo est reproduit par l'unité principale, tandis que le canal droit (R) de toutes les entrées stéréo est reproduit par l'unité supplémentaire connectée à la sortie MIX OUT STEREO (R)

10 PAIR - BOUTON ET INDICATEUR LUMINEUX

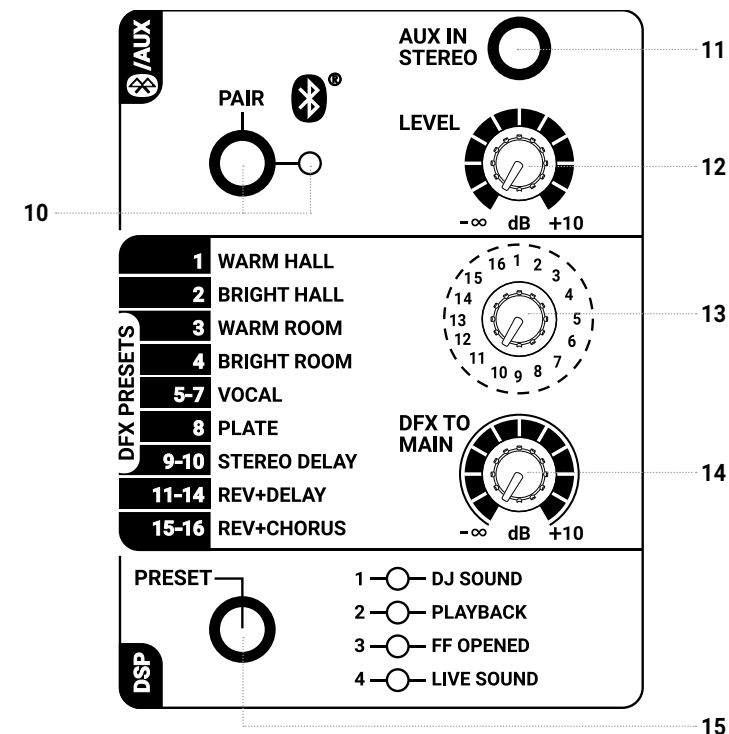
Utilisez ce bouton pour synchroniser le périphérique Bluetooth® avec le système en procédant comme suit :

- appuyez sur le bouton PAIR pendant environ 3 secondes jusqu'à ce que le voyant clignote de manière rythmée.
- pour lancer la synchronisation, activez Bluetooth® depuis l'interface utilisateur de votre appareil mobile ;
- dans la liste des appareils détectés par votre smartphone ou votre tablette, sélectionnez « B-TWIG 12 PRO » pour synchroniser votre appareil mobile avec le système.

À la fin de l'opération, le voyant reste allumé et les pistes peuvent être lues, à condition que la distance maximale entre les appareils ne dépasse pas 10 mètres. La connexion Bluetooth® peut être désactivée à tout moment en maintenant le bouton PAIR enfoncé pendant 3 secondes ou en dissociant l'unité B-TWIG 12 PRO de l'appareil mobile. Dans les deux cas, le voyant clignote lentement toutes les 5 secondes, indiquant que la connexion a été désactivée.

11 AUX IN STÉRÉO

Cette entrée stéréo de 3,5 mm accepte le signal par câble provenant de périphériques extérieurs, tels qu'un smartphone, une tablette, un ordinateur ou tout autre périphérique doté d'une sortie mini-jack stéréo.



12 BLUETOOTH® / AUX - LEVEL

Ce bouton règle le volume des entrées AUX IN STEREO et BLUETOOTH®, tournez-le vers la droite pour augmenter le niveau, vers la gauche pour le diminuer.

13 DFX PRESETS

Ce sélecteur à 16 positions vous permet de choisir le type d'effet. Pour une référence rapide, la liste des effets est illustrée ci-contre à gauche du sélecteur. Les 4 premiers effets émulent différentes réverbérations caractérisées par des réflexions du son dans deux environnements différents, les 4 suivants (5-8) sont proposés en particulier pour la voix ou les percussions en général, les delay stéréo génèrent l'effet retard classique du signal principal, et les combinaisons multi-effets (11-16) sont idéales pour la voix et une bonne partie des instruments solistes.

14 DFX TO MAIN

Ce bouton détermine le niveau global du signal de l'unité d'effets DFX pour la sortie principale. Sert à augmenter ou diminuer la quantité de signal traité à envoyer au MAIN LEVEL.

15 DSP - BOUTON PRESET ET INDICATEUR LUMINEUX

Appuyez sur ce bouton pour sélectionner l'égalisation adaptée à l'utilisation du système. Le voyant allumé indique le préréglage sélectionné.

• DJ SOUND

Adapté aux installations dans les discothèques ou un DJ SET, pour lesquels une tonalité d'impact est requise avec une prédominance de basses très profondes et engageantes.

• PLAYBACK

Pour écouter et utiliser de la musique reproduite (lecteurs de CD, MP3, etc.). Les basses et hautes fréquences sont accentuées. Adapté à toutes les situations dans lesquelles la musique est diffusée en arrière-plan, même à des volumes réduits.

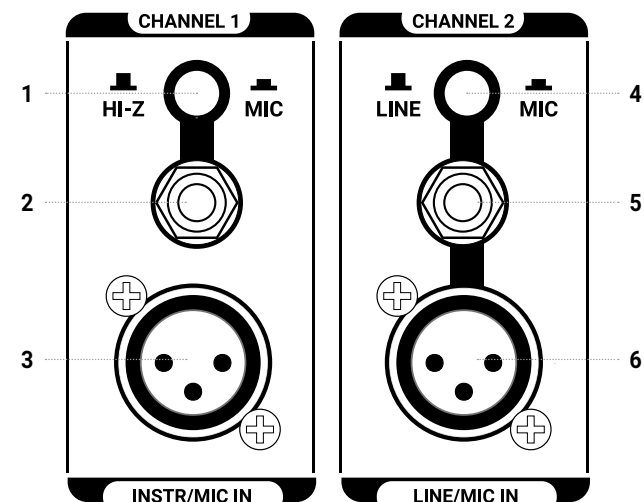
• FF OPENED

Ce préréglage optimise l'intelligibilité de la parole grâce à une réponse dynamique précise et équilibrée. Il est particulièrement adapté à la diffusion d'annonces, d'avertissements et de messages vocaux, ainsi qu'à l'écoute et à l'utilisation de musique reproduite, avec les deux colonnes orientées dans des directions opposées par rapport au front d'onde principal d'écoute. **REMARQUE** : le préréglage FF OPENED ne remplace pas la disposition correcte des enceintes et n'intervient pas non plus avec des délais de sortie de signal différenciés sur chaque transducteur individuel.

• LIVE SOUND

Pour utiliser le système pendant des performances en direct. Caractérisé par une réponse linéaire et fidèle, il convient aux concerts dans les clubs, aux musiciens et aux chanteurs..

3.2 | CONNEXIONS



1 BOUTON HI-Z / MIC - CH1

Ce bouton permet de commuter l'impédance du signal d'entrée sur le canal 1. Réglez le bouton sur MIC pour connecter un microphone et sur HI-Z lorsque vous devez connecter une guitare électro-acoustique. Le bouton n'agit que sur la prise d'entrée jack 6,35 mm.

2 HI-Z INPUT - CH1

Entrée symétrique avec jack 6.35mm. Il est possible d'utiliser un câble non symétrique.

3 MIC INPUT - CH1

Entrée microphone symétrique avec prise XLR-F.

4 BOUTON LINE / MIC - CH2

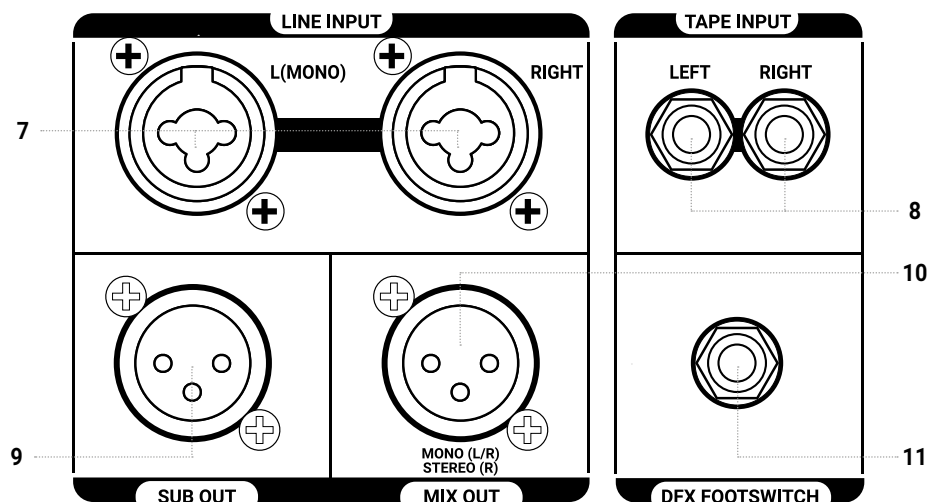
Réglez le bouton sur LINE pour utiliser une source de niveau de ligne ou MIC pour utiliser un microphone.

5 LINE INPUT - CH2

Entrée symétrique avec jack 6.35mm. Il est possible d'utiliser un câble non symétrique.

6 MIC INPUT - CH2

Entrée microphone symétrique avec prise XLR-F.



7 LINE INPUT L/R

Entrées ligne symétriques avec prises COMBO (XLR-F + Jack 6,35 mm) ; en connectant un seul câble à la prise L (MONO), le signal est traité intérieurement comme mono. Le volume de ces entrées est réglé via le bouton du canal 3.

8 TAPE INPUT L/R

Entrée ligne asymétrique avec prises RCA L/R. Connectez la sortie d'un appareil hi-fi (CD) ou d'un autre appareil avec sorties RCA L/R à ces prises. Le volume de ces entrées est réglé via le bouton du canal 3.

9 SUB OUT

Sortie XLR-M symétrique pour relayer le signal vers un autre subwoofer actif. Le niveau est influencé par le bouton SUB LEVEL et le bouton MAIN.

10 MIX OUT L/R - R

Sortie XLR-M symétrique pour relancer le signal MAIN MIX vers un autre système B-TWIG 12 PRO.

La sortie est influencée par la position du bouton STÉRÉO/MONO décrit au point 9, chap. 3.1.

Avec le bouton enfoncé (MONO) : tous les signaux présents sur les canaux d'entrée sont ajoutés intérieurement et la sortie MIX OUT fournit le signal pour un système de renforcement supplémentaire.

Avec le bouton soulevé (STÉRÉO) : le signal présent sur le canal gauche (L) de toutes les entrées stéréo est associé et reproduit exclusivement par le système principal, tandis que le signal présent sur le canal droit (R) de toutes les entrées stéréo est associé et reproduit par le système supplémentaire.

REMARQUE : Le signal des entrées Mono CH1 et CH2 est reproduit de façon identique à gauche (système principal) et à droite (système supplémentaire).

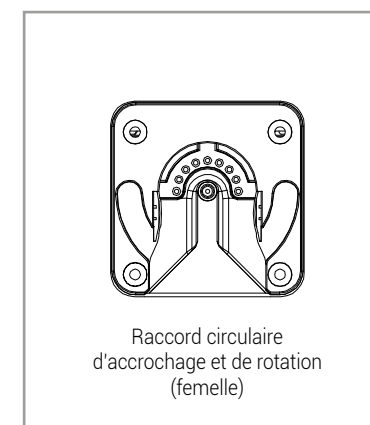
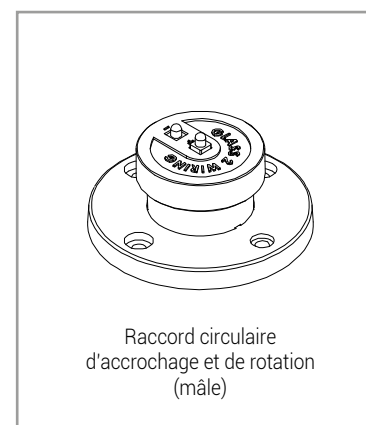
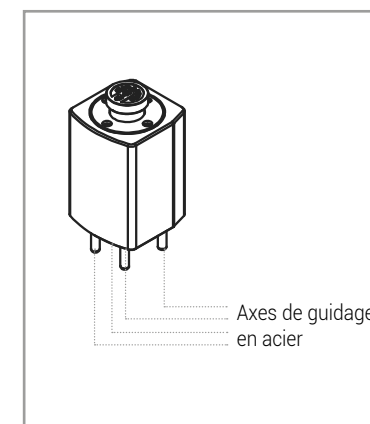
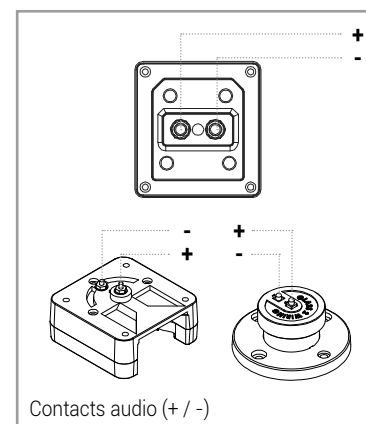
ATTENTION : lors de la connexion de deux systèmes en configuration stéréo, réglez les contrôles du système supplémentaire (R) de façon identique pour obtenir un front sonore équilibré et symétrique.

11 DFX FOOTSWITCH

Connectez une pédale externe à cette prise jack asymétrique pour insérer ou exclure des effets intérieurs. Appuyez une fois pour désactiver les effets, appuyez une seconde fois pour les réactiver.

12 SYSTÈME DE CONNEXION RAPIDE DES ÉLÉMENTS

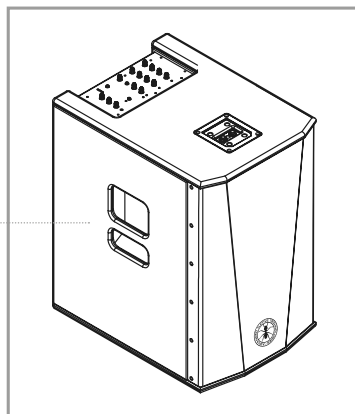
Ce mécanisme permet l'accrochage et le décrochage des éléments qui composent le système, garantissant une fonctionnalité parfaite en toute sécurité.



13 POIGNÉES LATÉRALES ENCASTRÉES SUBWOOFER

Utilisez ces poignées pour transporter et positionner le subwoofer. Ne les utilisez pas pour accrocher le subwoofer ou pour le verrouiller dans une position quelconque.

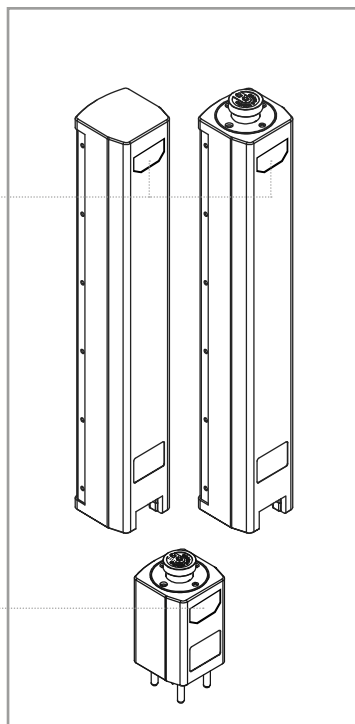
13



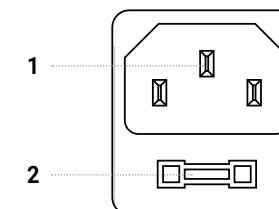
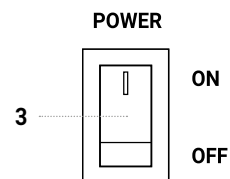
14 POIGNÉES ARRIÈRES ENCASTRÉES COLONNES / ÉLÉMENT DE SUPPORT

Utilisez ces poignées pour transporter et positionner les éléments. Ne les utilisez pas pour accrocher les enceintes au mur, au plafond ou pour verrouiller les colonnes dans une position quelconque.

14



3.3 | ALIMENTATION



MAINS INPUT:
220-240V~ 50-60Hz

FUSE: T4A L 250V~

POWER CONSUMPTION: 700W
(Replace fuse with same ratings)
(Remplacer le fusible avec le même type)

1 MAINS INPUT

Prise d'entrée IEC avec filtre de ligne intégré. Chaque emballage contient le cordon d'alimentation nécessaire, spécifique de votre région. Insérez le câble d'alimentation dans cette prise, mais assurez-vous que l'appareil est éteint avant de brancher le câble au secteur. Pour votre sécurité, ne débranchez jamais la mise à la terre.

ATTENTION !

Ne pas déposer la grille frontale de protection du produit Pour éviter tout risque d'électrocution, en cas de dommage accidentel ou de remplacement de la grille de protection (à effectuer par le service d'assistance), coupez immédiatement l'alimentation électrique.



ATTENTION : Pour réduire le risque d'électrocution, ne branchez jamais l'alimentation électrique à l'appareil lorsque la grille est retiré.

2 FUSE

Fusible de protection intégré à la prise électrique.



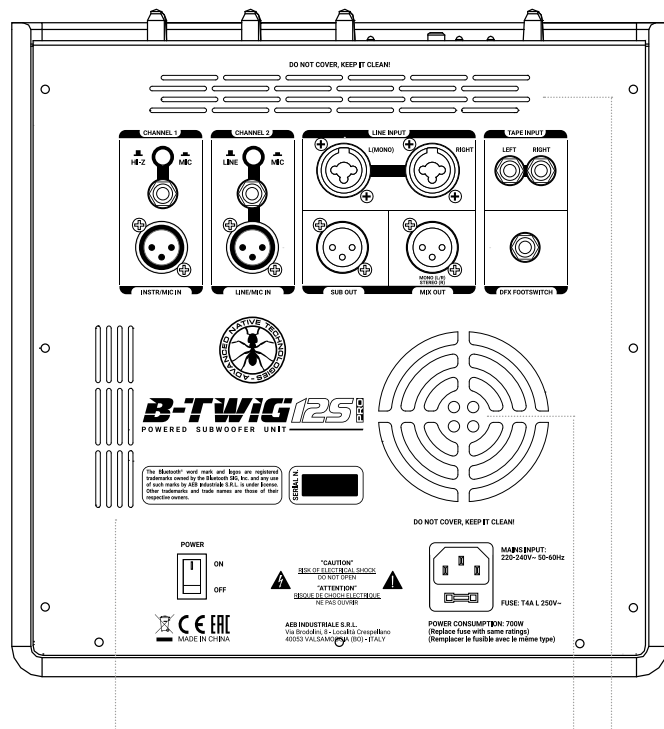
ATTENTION : Remplacez le fusible uniquement par un fusible du même type et avec les mêmes valeurs. Si le fusible continue à sauter, contactez un centre de service agréé.

3 POWER ON/OFF

Commutateur d'allumage et extinction de l'appareil.

4 VENTILATEUR DE REFROIDISSEMENT ET TROUS DE VENTILATION

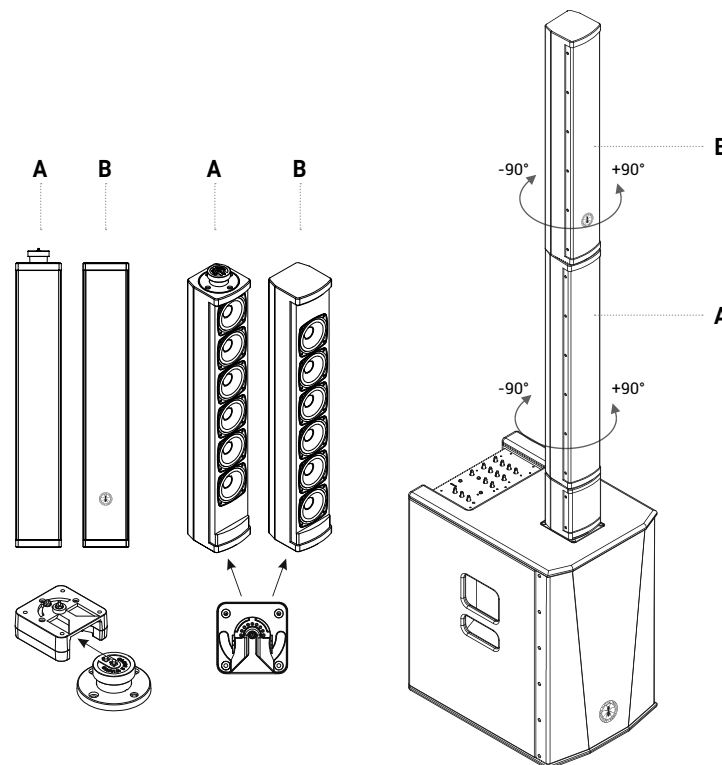
Le processus de refroidissement de l'amplificateur et le maintien de la température du panneau dans les limites de la loi sont garantis par une ventilation adéquate de l'appareil. Il est donc recommandé de ne pas obstruer ou recouvrir les orifices d'aération à l'arrière du subwoofer.



4

3.4 | KIT B-TWIG 12CS PRO

Le kit comprend deux éléments en colonne identiques. Les deux sont équipés du mécanisme de fixation par encastrement qui permet l'accrochage et le décrochage rapide des éléments qui composent le système, garantissant une fonctionnalité parfaite en toute sécurité. En outre, il existe un système de rotation qui permet d'orienter les enceintes à 90° vers la droite ou la gauche.



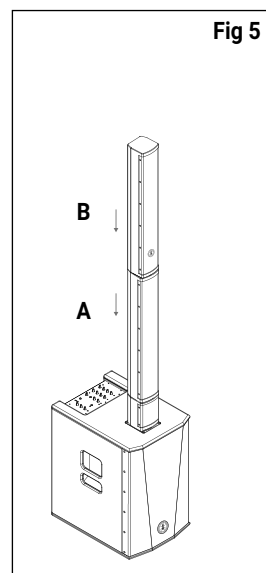
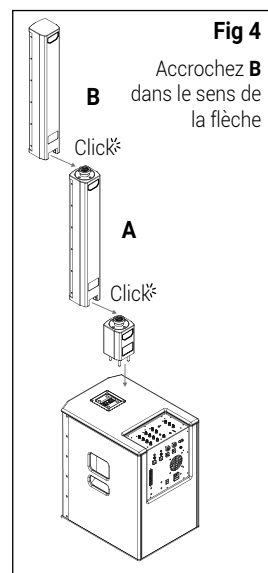
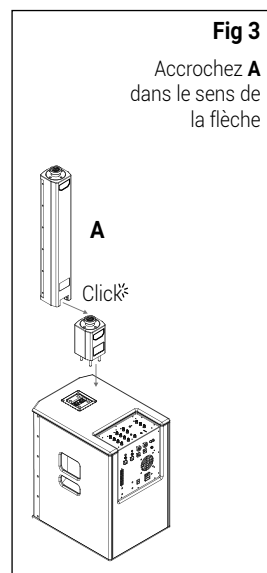
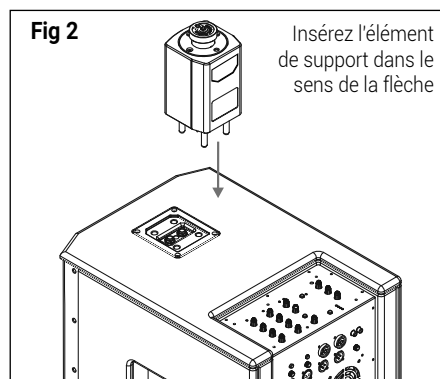
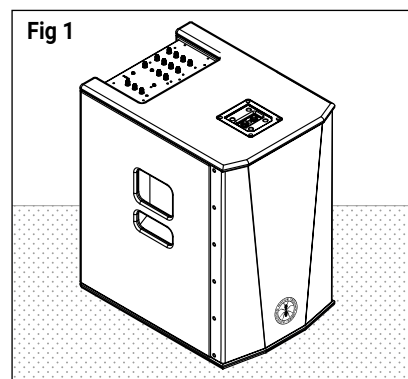
4 | INSTRUCTIONS DE MONTAGE ET DE DÉMONTAGE DU SYSTÈME

Pour l'installation des appareils et pour garantir leur bon fonctionnement, suivez scrupuleusement les instructions ci-dessous :

- Placez le subwoofer en position verticale sur une surface plane et stable, en vous assurant que tous les pieds en caoutchouc inférieurs adhèrent parfaitement au sol ou à la surface du support.
- Ne jamais installer le système sur des chariots mobiles, des chaises, des tables ou des objets similaires qui ne sont pas stables ou capables de supporter le poids.
- Pour permettre une dissipation correcte de la chaleur de l'amplification, laissez une distance suffisante entre le panneau arrière du subwoofer et d'autres objets tels que les murs, les coins, les rideaux et ne placez jamais l'appareil à proximité de sources de chaleur de quelque nature que ce soit.
- Ne jamais obstruer les orifices de ventilation situés sur le châssis arrière du subwoofer.

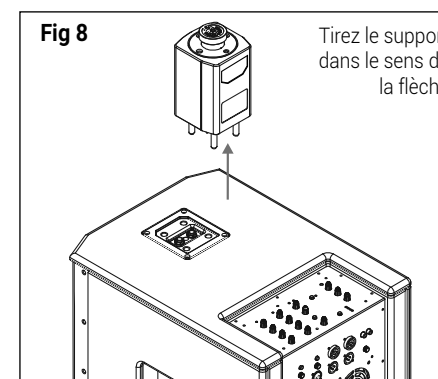
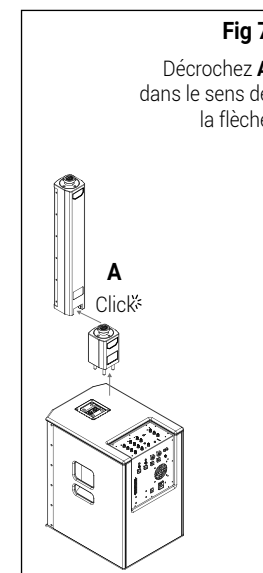
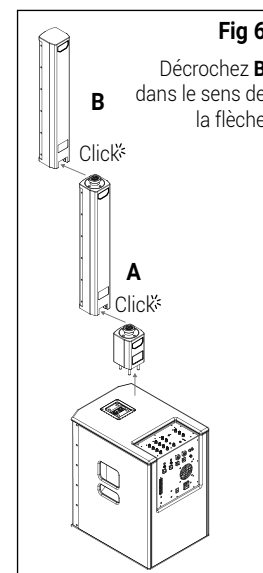
INSTALLATION :

- Placez le subwoofer sur une surface plane sans aucun dénivelé. (Fig. 1)
- Fixez l'élément de support au subwoofer en insérant les quatre broches en acier et les deux prises jacks audio dans leurs prises respectives. (Fig. 2)
- Faites coulisser la partie inférieure de la première enceinte en colonne (A) dans la partie supérieure du support jusqu'à ce qu'elle soit verrouillée. (Fig. 3)
- Répétez l'opération pour fixer la deuxième enceinte en colonne (B) avec la partie supérieure de la première enceinte (A). (Fig. 4 - Fig. 5)



DÉSINSTALLATION :

- Appuyez sur l'arrière l'enceinte en colonne supérieure (B) pour la libérer de l'enceinte en colonne inférieure (A). (Fig. 6)
- Répétez la même opération entre la colonne inférieure (A) et l'élément de support. (Fig. 7)
- Retirez le support du subwoofer et rangez tous les éléments. (Fig. 8)

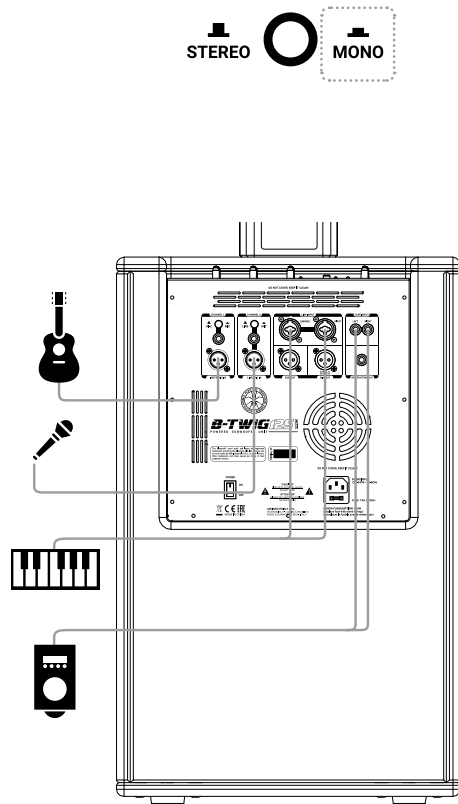


5 | CONFIGURATIONS D'UTILISATION

MONO - 1x B-TWIG 12 PRO

Utilisez cette configuration MONO pour sonoriser un environnement réduit avec un système B-TWIG12 PRO.

Tous les signaux présents sur les canaux d'entrée, CH1 - CH2 - CH3 - AUX/BT, sont ajoutés intérieurement et reproduits en MONO.



APPLICATIONS

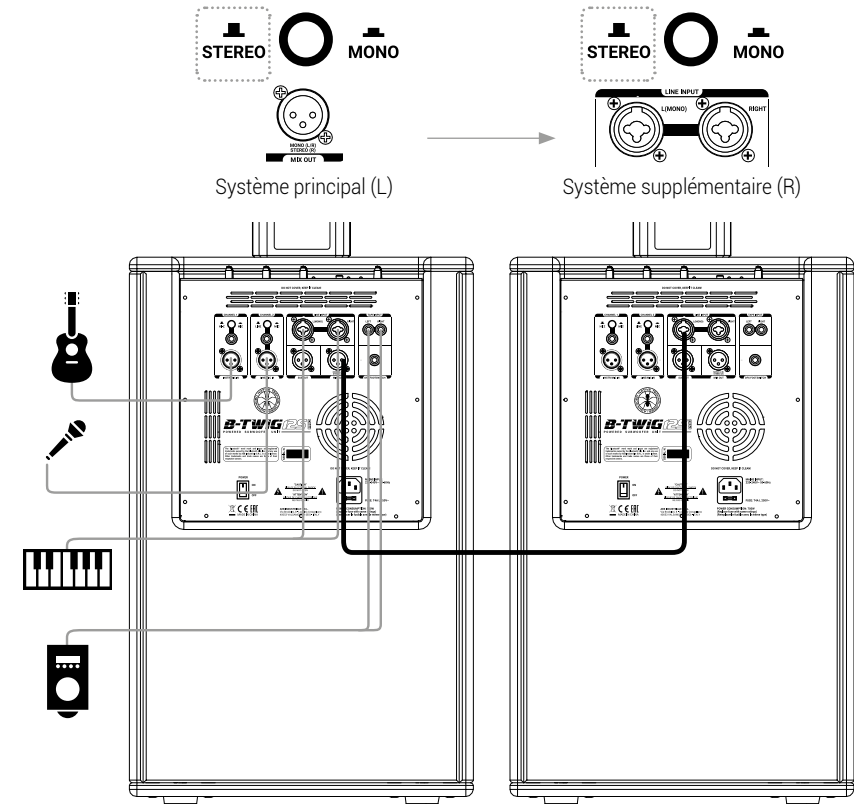
- Live Solo/Duo
- Piano Bar/Dj Set
- A/V Multimédia, petites salles de bal
- Cabarets et présentations d'entreprises

STÉRÉO - 2x B-TWIG 12 PRO

Utilisez cette configuration STÉRÉO pour sonoriser un environnement moyen avec deux systèmes B-TWIG12 PRO. Le signal présent sur le canal gauche (L) de toutes les entrées stéréo est associé et reproduit exclusivement par le système principal, tandis que le signal présent sur le canal droit (R) de toutes les entrées stéréo est associé et reproduit par le système supplémentaire.

Ajustez de manière homogène le MAIN LEVEL de chaque système.

REMARQUE : Le signal des entrées Mono CH1 et CH2 est reproduit de façon identique à gauche (système principal) et à droite (système supplémentaire).



APPLICATIONS

- Live band/Salles de répétition
- Piano Bar/Dj Set
- A/V Multimédia, salles de bal
- Installations fixes/Applications théâtrales

6 | DÉPANNAGE

PROBLÈME	VOYANTS LUMINEUX	SOLUTION
Aucun son ou son trop faible.	LED Power éteinte	Assurez-vous que l'appareil est branché correctement à la prise de courant.
	LED Power allumée mais MAIN LEVEL abaissée	Augmentez MAIN LEVEL.
Distorsion	Led SIG/CLIP rouge	Atténuez le niveau des entrées et/ou de MAIN LEVEL.
	Led SIG/CLIP verte	Vérifiez le niveau de la source. Vérifiez la connexion parfaite entre le subwoofer et les éléments A/B.
Son résonant		Atténuez SUB LEVEL.
Son strident		Augmentez SUB LEVEL. Abaissez MAIN LEVEL.
Atténuation de certaines fréquences prédominantes, signal peu fidèle, ambiance réverbérante		Choisir un autre préréglage, en tenant compte également des caractéristiques acoustiques de l'environnement

7 | SPÉCIFICATIONS TECHNIQUES

Type	Système en colonne amplifié
Subwoofer (B-TWIG 12S PRO)	Caisson Bass reflex 1 x enceinte custom de 12" en ferrite - 2.5" VC
Kit enceintes en colonne (B-TWIG 12CS PRO)	12 x enceintes custom au néodyme de 3.5" - 1" VC
Dispersion moyenne	120°
Réponse en fréquence	45Hz - 20kHz
SPL - MAX	126 dB
Amplification	Classe D
Puissance de crête (LF+HF)	2800 W
Crossover	24dB/Oct @ 200Hz
DSP	56Bit
Conversion audio AD/DA	24Bit / 48kHz
Égalisation système	4 Préréglages
Connecteurs I/O	CH1 & CH2 : 2 x XLR-F + 2 x jack 6,35mm (1/4") CH 3 LINE IN : 2 x combo L/R TAPE IN : RCA L/R AUX IN : 1 x mini-jack 3.5mm SUB OUT/MIX OUT : 2 x XLR-M DFX FOOTSWITCH : 1 x jack 6,35mm (1/4")
Alimentation	220-240V~ 50-60Hz
Fusible	T4A L 250V~
Max absorption de puissance	700 W
Mécanisme de fixation	Connecteur avec accrochage automatique et raccord circulaire Rotation enceintes - 90° droite/gauche

INHALTSVERZEICHNIS

1		EINLEITUNG	69
2		INSTALLATION	70
3		BESCHREIBUNG	71
3.1		EINGÄNGE UND BEDIENELEMENTE	71
3.2		ANSCHLÜSSE	75
3.3		STROMVERSORGUNG	79
3.4		KIT B-TWIG 12CS PRO B-TWIG 12CS PRO KIT	80
4		ANLEITUNGEN ZUR MONTAGE UND DEMONTAGE DES SYSTEMS	81
5		EINSATZKONFIGURATIONEN	84
6		FEHLERBEHEBUNG	86
7		TECHNISCHE DATEN	87
8		NOTE	89

PACKUNGSIHALT

- 1 aktiver Subwoofer B-TWIG 12S PRO mit:
 - 1 Halterungselement
 - 1 Netzkabel (VDE)
- 1 B-TWIG 12CS PRO Kit mit:
 - 2 passive Säulenlautsprecher
 - 1 Bedienungsanleitung - Abschnitt 1
 - 1 Bedienungsanleitung - Abschnitt 2

Die Hinweise in der vorliegenden Bedienungsanleitung sind ebenso zu befolgen wie die in der **“BEDIENUNGSANLEITUNG - ABSCHNITT 2”**.

1 | EINFÜHRUNG

Danke, dass Sie ein Produkt **A.N.T – Advanced Native Technologies** erworben haben!

Im Säulensystem **B-TWIG 12PRO** spiegelt sich unsere Technik-Leidenschaft und jahrelange Erfahrung wider. Sie erhalten so ein Produkt, das hohen Ansprüchen gerecht wird und jahrelang hochwertige Leistung liefert.

Es wurde speziell für eine schnelle und einfache Bedienung entwickelt und erfüllt die Wünsche aller, die ein Audiosystem suchen, das exzellente Leistung, viele Anschlussmöglichkeiten und das beste Preis-Leistungsverhältnis seiner Kategorie bietet.

Durch elegante und moderne Optik ausgezeichnet, vereint es optimal ausgereifte professionelle Eigenschaften mit herausragender Wertigkeit, wie zum Beispiel:

- Interner DSP mit 4 EQ-Presets;
- Integrierte DFX-Einheit mit 16 Presets, inklusive Send- und Returnpegel;
- 4-Kanal-Mixer mit vielfachen I/O-Kombinationen und Bluetooth®-Verbindung;
- Optimierte Akustiklösungen zur Sicherstellung hoher Klangqualität in einem breiten Frequenzspektrum;
- Exklusiver 90°-Schwenk- und Orientierungsmechanismus der Säulen, der zur Ausrichtung der akustischen Abdeckung in Abhängigkeit von den Einsatz- und Installationsanforderungen sowie von der Positionierung des Systems benutzt werden kann.

Ein breit gefächertes Angebot von optionalem Zubehör steht für eine einfache und unmittelbare Verwendung des Produkts zur Verfügung.

Bitte nehmen Sie sich einige Minuten Zeit, um diese Bedienungsanleitung zu lesen, damit Sie dieses Produkt optimal nutzen können.

Für Sicherheitshinweise, Vorsichtsmaßnahmen, Gewährleistung und Entsorgung siehe Anhang Abschnitt 2.

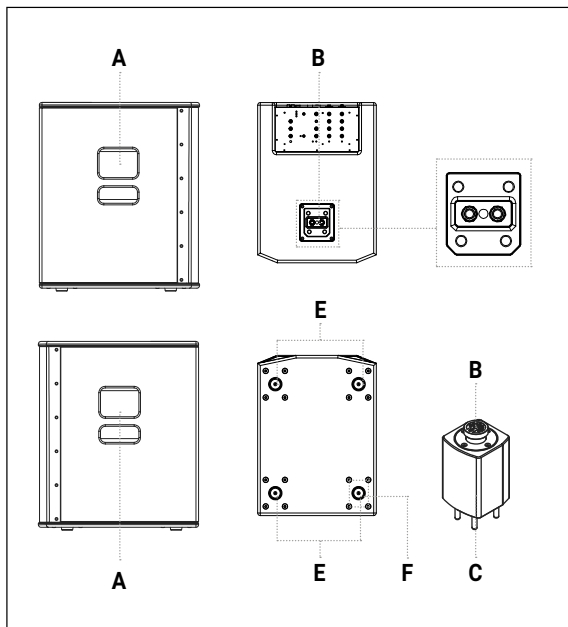
Weitere Informationen über alle Produkte des Katalogs von A.N.T finden Sie auf unserer Website: **www.ant-intomusic.com**.

2 | INSTALLATION

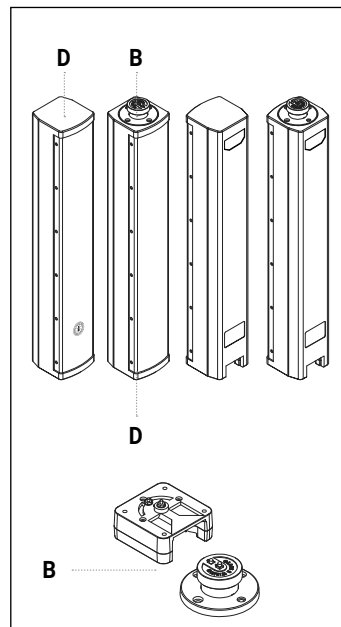
Das System besteht aus einem aktiven Subwoofer **B-TWIG 12S PRO** und dem Kit **B-TWIG 12CS PRO**:

- A** | Seitliche Griffmulden.
- B** | Schnellsteck- und Lösesystem der Elemente.
- C** | Halterungselement/Stativ.
- D** | Passive Säulenlautsprecher mit rückseitigen Griffmulden.
- E** | Rutschhemmer aus Gummi.
- F** | Integrierte Befestigungspunkte für Transporträder.

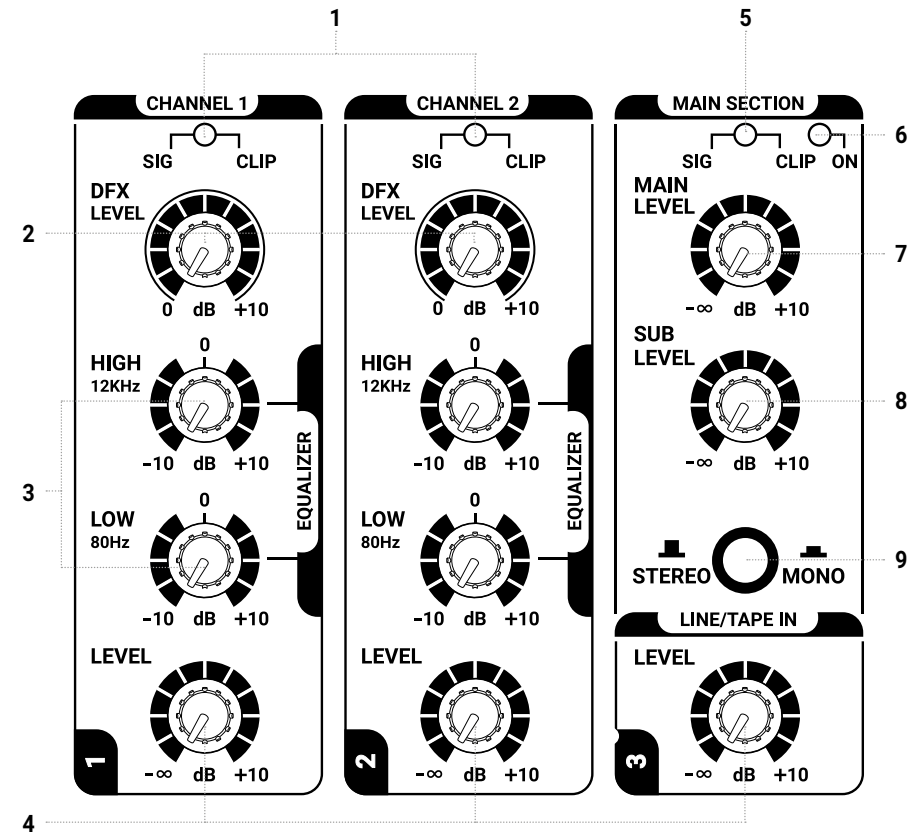
B-TWIG 12S PRO



B-TWIG 12CS PRO



3 | BESCHREIBUNG



3.1 | EINGÄNGE UND BEDIENELEMENTE

1 CH1 / CH2 - ZWEIFARBEN-LEUCHTANZEIGE SIG/CLIP

Grün: Signal im entsprechenden Kanal vorhanden.
 Rot: das Eingangssignal ist sehr hoch und kurz vor der Entzerrung.
 Wenn die Anzeige dauerhaft leuchtet, muss das Eingangssignal abgesenkt oder der EQ-Kanal anders eingestellt werden und die durch die Verstärkung der HIGH-LOW-Töne hervorgerufene Übersteuerung reduziert werden.

2 CH1 / CH2 - DFX LEVEL

Dieser von der Level-Kontrolle jedes einzelnen Kanals beeinflusste Sendepiegel ermöglicht die Regelung des an die interne Effekt-Einheit DFX gesendeten Signals.

3 CH1 / CH2 - EQUALIZER

Mit diesem Zweiband-Equalizer können die hohen und tiefen Frequenzbereiche verstärkt oder abgesenkt werden, um somit den gewünschten Klang zu erhalten.

4 CH1 / CH2 / LINE/TAPE IN - LEVEL

Diese Regler regeln die Lautstärke des entsprechenden Kanals, zum Anheben des Pegels nach rechts drehen, zur Absenkung nach links drehen.

5 MAIN SECTION - ZWEIFARBEN-LEUCHTANZEIGE SIG/CLIP

Grün: Signal ist im Kanal MAIN vorhanden.

Rot: das Eingangssignal in MAIN ist sehr hoch und kurz vor der Entzerrung.

Wenn die Anzeige dauerhaft leuchtet, muss der Pegel MAIN LEVEL abgesenkt oder die Pegel CH1 / CH2 / LINE/TAPE IN und AUX anders eingestellt werden.

6 ANZEIGE ON

Die LED-Anzeige ON leuchtet auf, wenn das Gerät an das Stromnetz angeschlossen ist und der Einschaltknopf gedrückt wird.

7 MAIN LEVEL

Dieses Bedienelement regelt die allgemeine Ausgangslautstärke des Systems. Durch Drehen des Reglers im Uhrzeigersinn wird die Lautstärke erhöht, durch Drehen gegen den Uhrzeigersinn verringert.

8 SUB LEVEL

Dieser Regler regelt die Ausgangslautstärke des Subwoofers und ermöglicht die Balance der tiefen Frequenzbereiche entsprechend der Umgebungsakustik. Durch Drehen des Reglers im Uhrzeigersinn wird die Lautstärke des Subwoofers erhöht, durch Drehen gegen den Uhrzeigersinn verringert.

9 TASTE STEREO / MONO

Hiermit kann die Hörkonfiguration des Systems in zwei Betriebsmodi gewählt werden: STEREO oder MONO.

- Stellen Sie bei Einsatz eines einzelnen B-TWIG 12 PRO Systems die Taste auf MONO; in diesem Fall werden alle am Eingang vorhandenen Stereosignale intern summiert. Sie können über den Ausgang MIX OUT MONO (L/R) eine zusätzliche Einheit anschließen und die Klangfront duplizieren.

- Stellen Sie bei Einsatz von zwei B-TWIG 12 PRO Systemen die Taste auf STEREO; in diesem Fall werden alle am Eingang vorhandenen Stereosignale in LEFT/RIGHT gemixt und gleichzeitig von den jeweiligen Systemen wie folgt verwaltet:

der linke Kanal (L) aller Stereoeingänge wird von der Haupteinheit wiedergegeben, während die Wiedergabe des rechten Kanals (R) aller Stereoeingänge über die am Ausgang MIX OUT STEREO (R) angeschlossene Zusatzeinheit erfolgt.

10 PAIR - TASTE UND LEUCHTANZEIGE

Mit dieser Taste können Sie das Bluetooth®-Gerät folgendermaßen mit dem System synchronisieren:

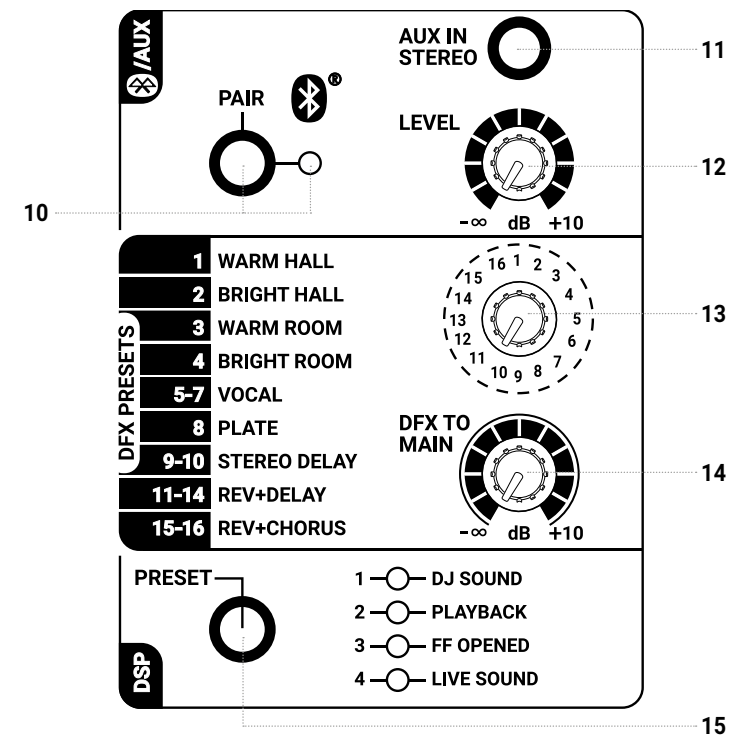
- drücken Sie die Taste PAIR ca. 3 Sekunden lang, bis die LED rhythmisch blinkt;
- um die Synchronisierung zu starten, aktivieren Sie Bluetooth® über die Benutzeroberfläche Ihres mobilen Geräts;

- wählen Sie aus der Liste der von Ihrem Smartphone oder Tablet erfassten Geräte "B-TWIG 12 PRO" aus, um Ihr mobiles Gerät mit dem System zu synchronisieren.

Nach Abschluss des Vorgangs bleibt die LED permanent erleuchtet, so dass Sie die Wiedergabe der Titel starten können, sofern das Gerät nicht weiter als 10 Meter von der Einheit entfernt ist. Sie können die Bluetooth®-Verbindung jederzeit deaktivieren, indem Sie die Taste PAIR 3 Sekunden lang gedrückt halten oder die Einheit B-TWIG 12 PRO vom mobilen Gerät abmelden. In beiden Fällen blinkt die Leuchtanzeige alle 5 Sekunden mit langsamen Impulsen und weist dadurch auf die Deaktivierung der Verbindung hin.

11 AUX IN STEREO

Dieser 3,5mm Stereoeingang akzeptiert das per Kabel von externen Geräten wie Smartphones, Tablets, PCs oder anderen Geräten mit Mini-Jack Stereoausgang übertragene Signal.



12 BLUETOOTH® / AUX - LEVEL

Dieser Regler regelt die Lautstärke der Eingänge AUX IN STEREO und BLUETOOTH®, zum Anheben des Pegels nach rechts drehen, zur Absenkung nach links drehen.

13 DFX PRESETS

Dieser Wahlschalter mit 16 Schaltstellungen ermöglicht die Wahl des gewünschten Effekts. Zur schnellen Orientierung wird die Liste der Effekte links neben dem Wahlschalter angezeigt. Die ersten 4 Effekte emulieren diverse Nachhalle, die durch Klangreflexionen innerhalb von zwei verschiedenen Umgebungen gekennzeichnet sind, die nächsten 4 (5-8) sind besonders für Gesang und Schlaginstrumenten im Allgemeinen empfohlen, die Stereo-Verzögerungen erzeugen den klassischen Verzögerungseffekt des Hauptsignals, schließlich sind die für Gesang und einen Großteil der Solo-Instrumente idealen Multieffekt-Kombinationen (11-16) vorhanden.

14 DFX TO MAIN

Dieser Regler legt den Gesamtpegel des Signals der Effekt-Einheit DFX für den Hauptausgang fest. Er wird benutzt, um die Menge der verarbeiteten und an MAIN LEVEL zu sendenden Signale zu vergrößern oder zu verringern.

15 DSP - PRESET-TASTE UND LEUCHTANZEIGE

Mit dieser Taste stellen Sie die zur Verwendung des Systems geeigneten Equalizer-Parameter ein. Die Kontrolllampe zeigt die aktivierte Preset-Einstellung an.

• DJ SOUND

Für Installationen in Disco-Clubs oder eines mobilen DJ SETS, bei denen ein druckvoller Sound mit vorrangig sehr tiefen und mitreißenden Bassfrequenzen gefragt ist.

• PLAYBACK-FUNKTION

Zum Anhören von auf Tonträgern gespeicherter Musik (CDs, MP3-Dateien usw.). Tiefe und hohe Frequenzen sind betont. Angezeigt für alle Situationen, in denen Hintergrundmusik auch bei niedriger Lautstärke ausgestrahlt wird.

• FF OPENED

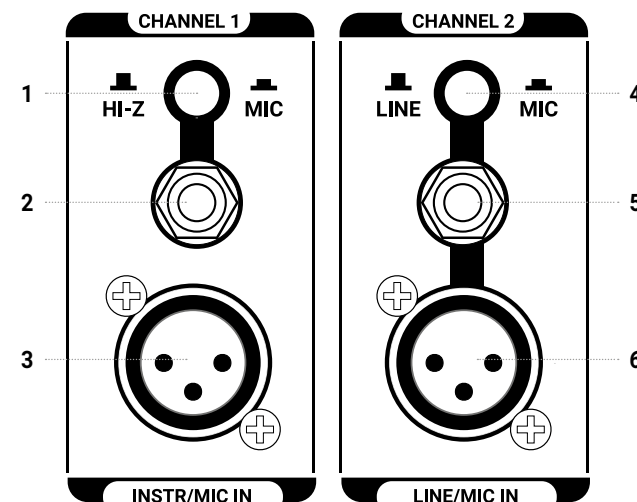
Dieses Preset optimiert die Sprachverständlichkeit durch eine akkurate und balancierte Dynamik. Speziell für die Wiedergabe von Durchsagen, Warn- und Sprachmeldungen geeignet, wie auch für das Anhören von auf Tonträgern gespeicherter Musik, wobei beide Säulen zur primären Hör-Wellenfront entgegengesetzt ausgerichtet sind.

HINWEIS: Das FF OPENED Preset ist kein Ersatz für die korrekte Ausrichtung der Lautsprecher und wirkt nicht mit differenzierten Signal-Ausgabeverzögerungen auf jeden einzelnen Lautsprecher.

• LIVE SOUND-FUNKTION

Für die Verwendung bei Live-Aufführungen. Dank dem linearen und realistischen Frequenzgang für Konzerte in Clubs sowie für Musiker und Sänger geeignet.

3.2 | ANSCHLÜSSE



1 TASTE HI-Z / MIC - CH1

Mit dieser Taste können Sie die Impedanz des Eingangssignals in Kanal 1 schalten.

Stellen Sie die Taste auf MIC zum Anschluss eines Mikrofons oder auf HI-Z, wenn Sie eine elektroakustische Gitarre anschließen müssen. Die Taste wirkt nur auf die 6,35mm Eingangsbuchse.

2 HI-Z INPUT - CH1

Symmetrischer Eingang mit 6,35mm Buchse. Es kann auch ein unsymmetrisches Kabel verwendet werden.

3 MIC INPUT - CH1

Symmetrischer Mikrofoneingang mit XLR-F Buchse.

4 TASTE LINE / MIC - CH2

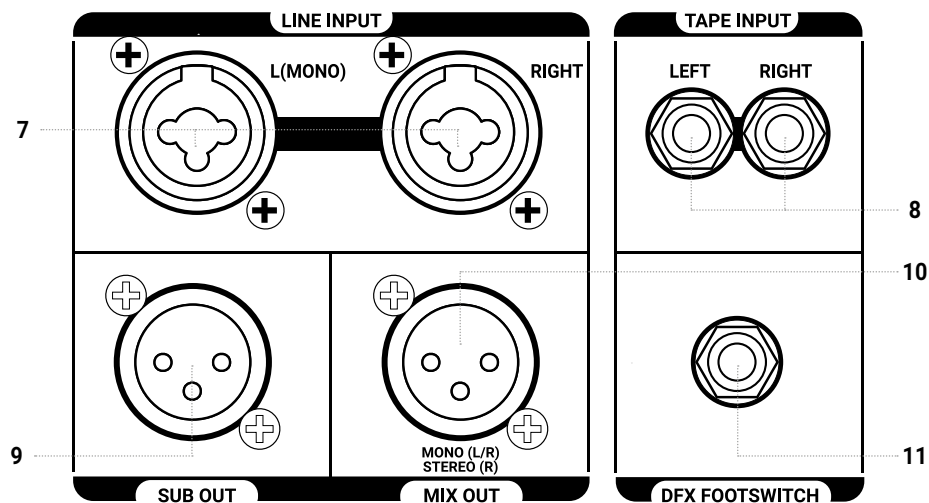
Stellen Sie die Taste auf LINE zur Verwendung einer Line-Level-Quelle oder auf MIC zur Verwendung eines Mikrofons.

5 LINE INPUT - CH2

Symmetrischer Eingang mit 6,35 mm Buchse. Es kann auch ein unsymmetrisches Kabel verwendet werden.

6 MIC INPUT - CH2

Symmetrischer Mikrofoneingang mit XLR-F Buchse.



7 LINE INPUT L/R

Symmetrische Line-Eingänge mit COMBO-Buchsen (XLR-F + 6,35mm Buchse); bei Anschluss nur eines Kabels an die Buchse L (MONO) wird das Signal intern als Mono verarbeitet. Die Lautstärke dieser Eingänge wird mit dem Regler des Kanals 3 eingestellt.

8 TAPE INPUT L/R

Unsymmetrischer Line-Eingang mit Cinch-Anschlüssen. Diese Buchsen mit den Cinch-Ausgängen eines HiFi-Gerätes (CD) oder anderen Gerätes verbinden. Die Lautstärke dieser Eingänge wird mit dem Regler des Kanals 3 eingestellt.

9 SUB OUT

Symmetrischer XLR-M Ausgang zum Senden des Signals an einen anderen aktiven Subwoofer. Der Pegel wird durch den Regler SUB LEVEL und den Regler MAIN beeinflusst.

10 MIX OUT L/R - R

Symmetrischer XLR-M Ausgang zum Senden des Signals MAIN MIX an ein anderes B-TWIG 12 PRO System.

Der Ausgang wird durch die Position der unter Punkt 9, Kap. 3.1 beschriebenen Taste STEREO/MONO beeinflusst.

Gedrückte Taste (MONO): Alle in den Eingangskanälen vorhandenen Signale werden intern summiert und der Ausgang MIX OUT stellt das Signal für ein zusätzliches Verstärkungssystem bereit.

Angehobene Taste (STEREO): Das Signal im linken Kanal (L) aller Stereoeingänge wird ausschließlich vom Hauptsystem summiert und wiedergegeben, während das Signal im rechten Kanal (R) aller Stereoeingänge vom Zusatzsystem summiert und wiedergegeben wird.

HINWEIS: Das Signal der Mono-Eingänge CH1 und CH2 wird in gleichem Maß links (Hauptsystem) wie rechts (Zusatzsystem) wiedergegeben.

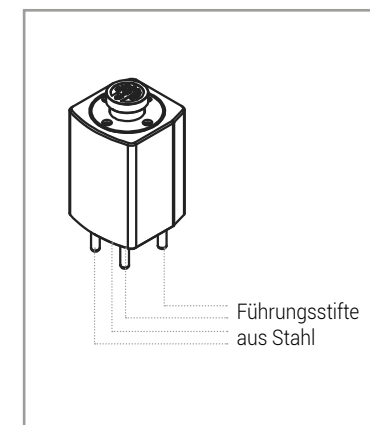
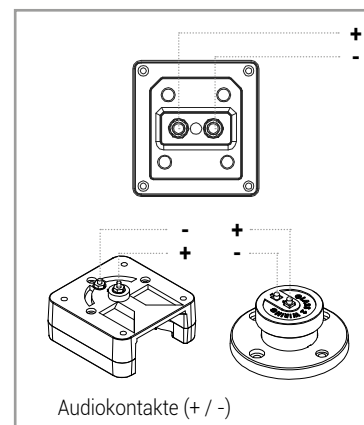
ACHTUNG: Stellen Sie beim Anschluss von zwei Systemen in Stereo-Konfiguration die Bedienelemente des Zusatzsystems (R) in identischer Weise ein, um eine ausbalancierte und homogene Stereo-Klangfront zu erhalten.

11 DFX FOOTSWITCH

Schließen Sie ein externes Pedal an diese unsymmetrische Klinkenbuchse an, um interne Effekte einzufügen oder auszuschließen. Einmal drücken, um die Effekte auszuschalten, noch einmal drücken, um sie wieder einzuschalten.

12 SCHNELLSTECKSYSTEM DER ELEMENTE

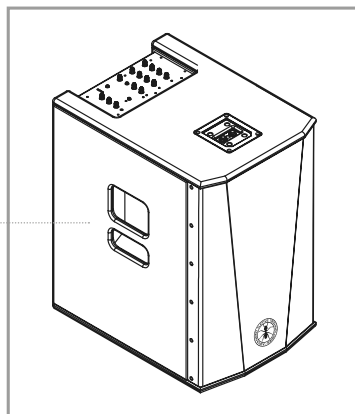
Mit diesem Mechanismus können Sie die Systemelemente verbinden und lösen und die perfekte Funktion in aller Sicherheit gewährleisten.



13 SEITLICHE GRIFFMULDEN SUBWOOFER

Verwenden Sie diese Griffe zum Transport und zur Aufstellung des Subwoofers. Benutzen Sie diese Griffe nicht, um den Subwoofer aufzuhängen oder einer beliebigen Position zu sichern.

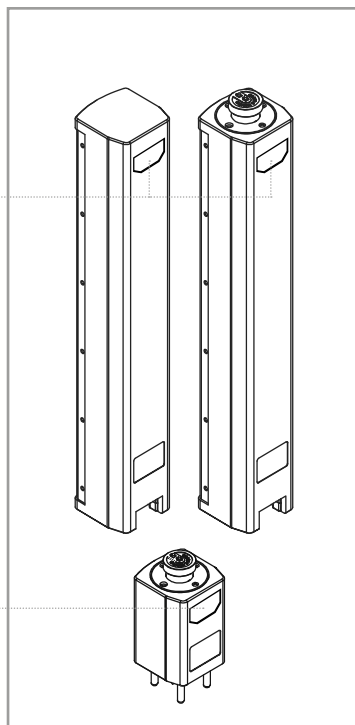
13



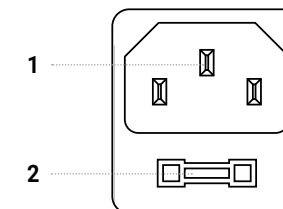
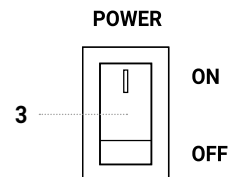
14 RÜCKSEITIGE GRIFFMULDEN SÄULEN / HALTERUNGSELEMENT

Verwenden Sie diese Griffe zum Transport und zur Aufstellung der Elemente. Benutzen Sie diese Griffe nicht, um die Lautsprecher an der Wand oder Decke aufzuhängen oder die Säulen in einer beliebigen Position zu sichern.

14



3.3 | STROMVERSORGUNG



MAINS INPUT:
220-240V~ 50-60Hz

FUSE: T4A L 250V~

POWER CONSUMPTION: 700W
(Replace fuse with same ratings)
(Remplacer le fusible avec le même type)

1 MAINS INPUT

IEC-Eingang mit integriertem Netzfilter. In jeder Verpackung mitgeliefert wird ein für die jeweilige Region geeignetes Stromversorgungskabel. Sich zunächst vergewissern, dass das Gerät vor dem Anschließen des Kabels an das Stromnetz abgeschaltet ist; dann Stromkabel anschließen. Trennen Sie zu Ihrer Sicherheit niemals die Erdung.



ACHTUNG!

Niemals das dem Schutz des Produktes dienende Frontgitter entfernen. Zur Vermeidung des Risikos elektrischer Schläge sollte bei einer unbeabsichtigten Beschädigung oder beim Ersatz des Schutzgitters (der vom Kundendienst vorgenommen wird) sofort die Stromversorgung abgeschaltet werden.



ACHTUNG: Zur Senkung des Risikos elektrischer Schläge das Gerät niemals an das Stromnetz anschließen, wenn das Gitter abgenommen ist.

2 FUSE

In die Dose integrierte Sicherung.



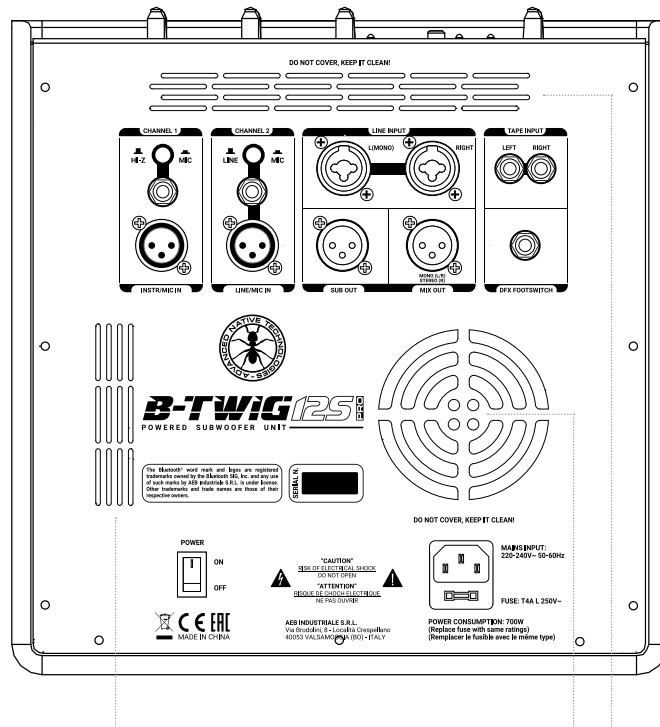
ACHTUNG: Sicherung nur mit einer Sicherung des gleichen Typs und mit demselben Werte ersetzen. Wenden Sie sich an eine autorisierte Servicestelle, falls die Sicherung weiterhin herausspringt.

3 POWER ON/OFF

Schalter zum Ein-/Ausschalten des Gerätes.

4 KÜHLLÜFTER UND BELÜFTUNGSSCHLITZE

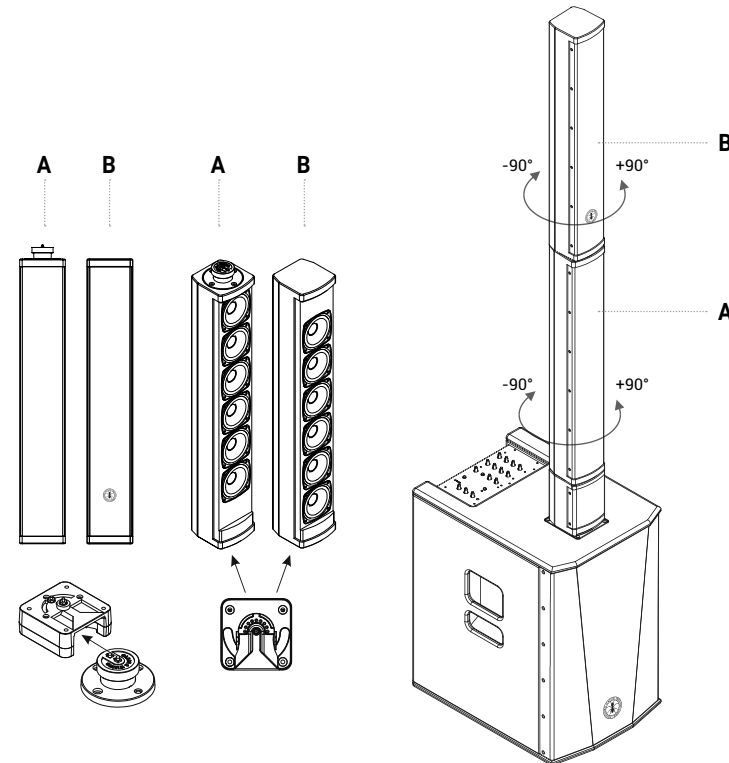
Die Kühlung des Verstärkers und die Temperaturhaltung innerhalb der gesetzlichen Grenzen wird durch eine korrekte Belüftung des Geräts sichergestellt. Aus diesem Grund sollten Sie auf keinen Fall die Belüftungsschlitze auf der Rückseite des Subwoofer-Gehäuses verstopfen oder abdecken.



4

3.4 | KIT B-TWIG 12CS PRO

Das Kit beinhaltet zwei identische Säulenelemente. Beide verfügen über einen Steckmechanismus, mit dem Sie die Systemelemente schnell verbinden und lösen können und dabei die perfekte Funktion in aller Sicherheit gewährleisten. Darüber hinaus sind sie mit einem Schwenksystem für eine 90°-Ausrichtung der Lautsprecher nach rechts oder links ausgestattet.



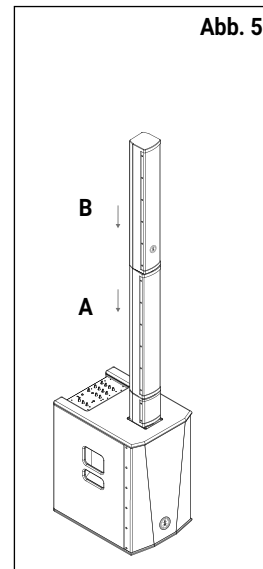
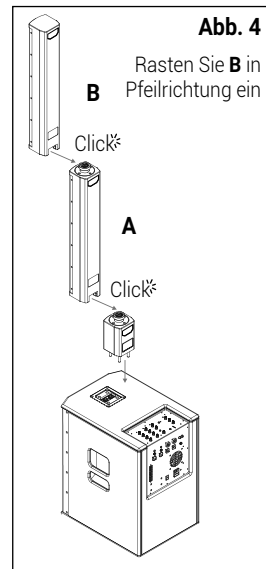
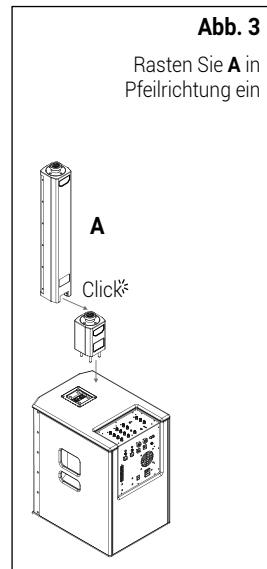
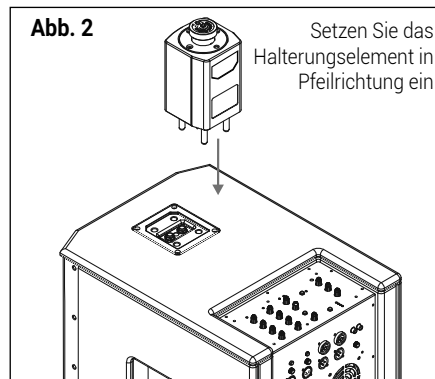
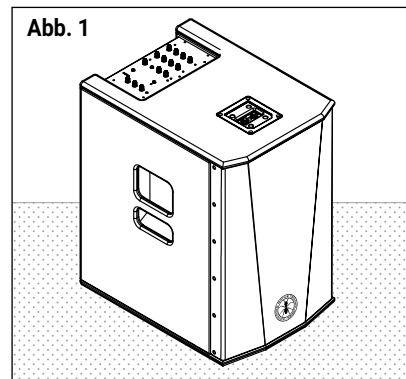
4 | ANLEITUNGEN ZUR MONTAGE UND DEMONTAGE DES SYSTEMS

Beachten Sie bei der Installation der Geräte zur Gewährleistung ihrer einwandfreien Funktion unbedingt folgende Anweisungen:

- Stellen Sie den Subwoofer senkrecht auf eine ebene und solide Oberfläche, vergewissern Sie sich dabei, dass die unteren GummifüÙe perfekt auf dem Boden oder der Stellfläche aufliegen.
- Installieren Sie das System niemals auf mobilen Wagen, Stühlen, Tischen oder Gegenständen, die keine Stabilität aufweisen und das Systemgewicht nicht aufnehmen können.
- Um eine korrekte Wärmeableitung des Verstärkers sicherzustellen, belassen Sie zwischen Rückseite des Subwoofers und anderen Gegenständen wie Wänden, Ecken oder Vorhängen einen ausreichenden Freiraum. Stellen Sie das Gerät niemals in der Nähe von Wärmequellen irgendeiner Art auf.
- Verstopfen Sie auf keinen Fall die Lüftungsschlitze auf der Rückseite des Subwoofers.

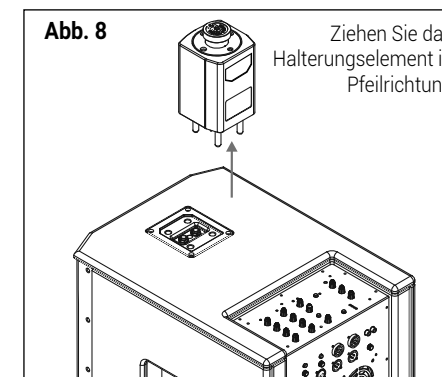
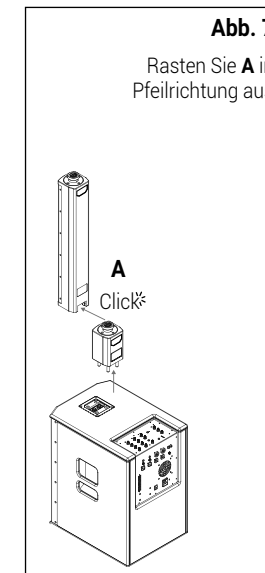
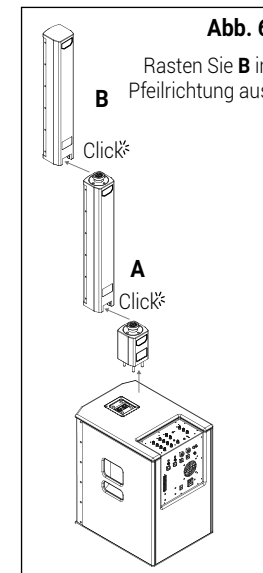
MONTAGE:

- Stellen Sie den Subwoofer auf eine flache und ebene Oberfläche. (Abb. 1)
- Befestigen Sie das Halterungselement am Subwoofer, indem Sie die Stahlstifte und die zwei Audiobuchsen in die entsprechenden Anschlüsse einstecken. (Abb. 2)
- Rasten Sie untere Seite des ersten Säulenlautsprechers (A) in die obere Seite der Halterung ein. (Abb. 3)
- Wiederholen Sie den Arbeitsgang zur Befestigung des zweiten Säulenlautsprechers (B) mit der oberen Seite des ersten Laufsprechers (A). (Abb. 4 - Abb. 5)



DEMONTAGE:

- Drücken Sie von hinten auf den oberen Säulenlautsprecher (B), um diesen vom unteren Säulenlautsprecher (A) zu lösen. (Abb. 6)
- Wiederholen Sie den gleichen Arbeitsgang zwischen unterer Säule (A) und Halterungselement. (Abb. 7)
- Schieben Sie die Halterung vom Subwoofer ab und legen Sie alle Elemente beiseite. (Abb. 8)

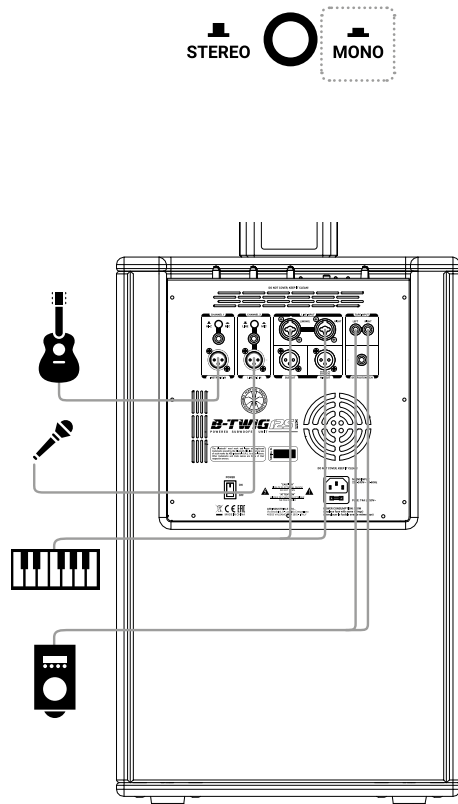


5 | EINSATZKONFIGURATIONEN

MONO - 1x B-TWIG 12 PRO

Verwenden Sie diese MONO Konfiguration, um eine kleine Umgebung mit einem B-TWIG12 PRO System zu beschallen.

Alle Signale an den Eingangskanälen CH1 - CH2 -CH3 - AUX/BT werden intern summiert und in MONO wiedergegeben.



ANWENDUNGEN

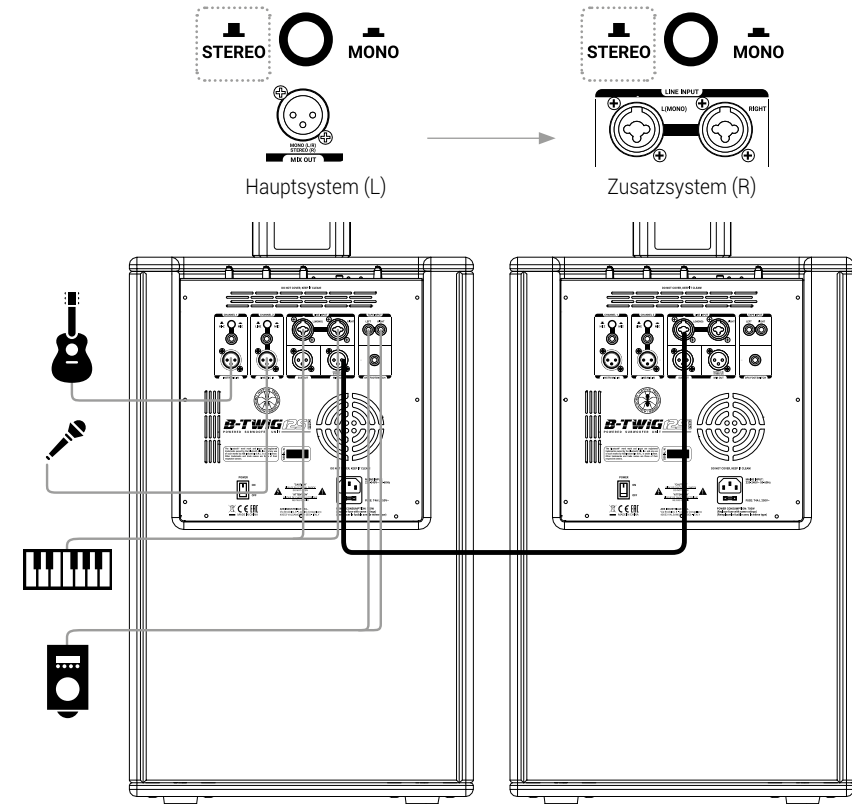
- Live Solo/Duo
- Piano-Bar/Dj Set
- A/V Multimedia, kleinere Tanzsäle
- Kabarett und Firmentreffen

STEREO - 2x B-TWIG 12 PRO

Verwenden Sie diese STEREO Konfiguration, um eine mittelgroße Umgebung mit zwei B-TWIG12 PRO Systemen zu beschallen.

Das Signal im linken Kanal (L) aller Stereoeingänge wird ausschließlich vom Hauptsystem summiert und wiedergegeben, während das Signal im rechten Kanal (R) aller Stereoeingänge vom Zusatzsystem summiert und wiedergegeben wird. Stellen Sie MAIN LEVEL jedes Systems in gleicher Weise ein.

HINWEIS: Das Signal der Mono-Eingänge CH1 und CH2 wird in gleichem Maß links (Hauptsystem) wie rechts (Zusatzsystem) wiedergegeben.



ANWENDUNGEN

- Live Band/Proberäume
- Piano-Bar/Dj Set
- A/V Multimedia, Tanzsäle
- Feste Installationen/Theater

6 | FEHLERBEHEBUNG

PROBLEM	LEDS	LÖSUNG
Kein oder zu leiser Klang	LED Power aus	Vergewissern Sie sich, dass das Gerät ordnungsgemäß an der Netzsteckdose angeschlossen ist.
	LED Power leuchtet, aber MAIN LEVEL niedrig eingestellt.	MAIN LEVEL Regler höher stellen.
Verzerrung	LED SIG/CLIP rot	Pegel der Eingangskanäle und/oder MAIN LEVEL niedriger stellen.
	LED SIG/CLIP grün	Quellenpegel überprüfen. Einwandfreien Anschluss zwischen Subwoofer und A/B-Elementen überprüfen.
Dumpfer Klang		SUB LEVEL niedriger stellen.
Schriller Klang		SUB LEVEL höher stellen. MAIN LEVEL niedriger stellen.
Absenken bestimmter vorherrschender Frequenzen, nicht getreues Signal, hallige Umgebung		Versuchen Sie es mit einem anderen Preset unter Berücksichtigung der akustischen Eigenschaften der Umgebung

7 | TECHNISCHE DATEN

Typ	Verstärktes Säulensystem
Subwoofer (B-TWIG 12S PRO)	Bassreflex-Gehäuse 1 Custom-Ferrit-Lautsprecher 12" - 2.5" VC
Kit Säulenslautsprecher (B-TWIG 12CS PRO)	12 Neodym-Custom-Lautsprecher 3.5" - 1" VC
Durchschnittliche Abstrahlung	120°
Frequenzgang	45Hz - 20kHz
SPL – MAX	126 dB
Verstärkung	Class D
Spitzenleistung LF+HF	2800 W
Crossover	24dB/Oct @ 200Hz
DSP	56Bit
AD/DA Audio-Umwandlung	24Bit / 48kHz
System-EQ	4 Presets
I/OAnschlüsse	CH1 & CH2: 2 x XLR-F + 2 x Klinke 6,35mm (1/4") CH 3 LINE IN: 2 x Combo L/R TAPE IN: CINCH AUX IN: 1 x Mini-Jack 3.5mm SUB OUT/MIX OUT: 2 x XLR-M DFX FOOTSWITCH: 1 x 6,35 mm (1/4") Klinke
Stromversorgung	220-240V~ 50-60Hz
Sicherung	T4A L 250V~
Max. Leistungsaufnahme	700 W
Befestigungsmechanismus	Automatischer Steckverbinder und runder Anschluss Lautsprecherschwenkung - 90° rechts / links

ÍNDICE

1	Introducción	91
2	Instalación	92
3	Descripción	93
3.1	Entradas y controles	93
3.2	Conexiones	97
3.3	Alimentación	101
3.4	Kit B-TWIG 12CS PRO	102
4	Ainstrucciones para montar y desmontar el sistema	103
5	Configuraciones de uso	106
6	Solución de problemas	108
7	Características técnicas	109
8	Notes	111

CONTENIDO DEL EMBALAJE

- 1 subwoofer activo B-TWIG 12S PRO que incluye:
 - 1 Elemento de soporte
 - 1 cable de alimentación (VDE)
- 1 Kit B-TWIG 12CS PRO que contiene:
 - 2 difusores de columna pasivos
- 1 Manual de uso - Sección 1
- 1 Manual de uso - Sección 2

Respete las advertencias de este manual y los contenidos del **MANUAL DE USO - SECCIÓN 2.**

1 | INTRODUCCIÓN

Gracias por adquirir un producto **A.N.T – Advanced Native Technologies.**

El sistema lineal **B-TWIG 12 PRO** es resultado de la pasión y la experiencia que hemos acumulado a lo largo de los años para ofrecerle un producto que satisfaga sus exigencias y mantenga la calidad a lo largo del tiempo.

Diseñado para un uso inmediato y sencillo, satisface las expectativas de quienes buscan un sistema de audio con óptimas prestaciones, versatilidad de conexión y la mejor relación calidad-precio de su categoría.

El aspecto elegante y contemporáneo de este producto se suma a unas características profesionales de altísimo nivel:

- DSP interno con 4 preajustes de ecualización;
- unidad DFX integrada que ofrece 16 preajustes con envíos y retornos de efectos incluidos;
- mezclador de cuatro canales con múltiples combinaciones de I/O y conexión Bluetooth®;
- soluciones acústicas optimizadas que garantizan máxima calidad sonora en un amplio rango de frecuencias;
- mecanismo exclusivo de rotación de los difusores a 90°, que permite orientar la cobertura acústica en función de las exigencias de uso e instalación y de la ubicación del sistema.

El producto se puede equipar con una variedad de accesorios para hacer el uso aún más fácil e inmediato.

Dedique unos minutos a leer este manual de instrucciones, para que pueda aprovechar al máximo las prestaciones de este producto.

Para las instrucciones relativas a la seguridad, las precauciones, la garantía y la eliminación del aparato, consulte el anexo Sección 2.

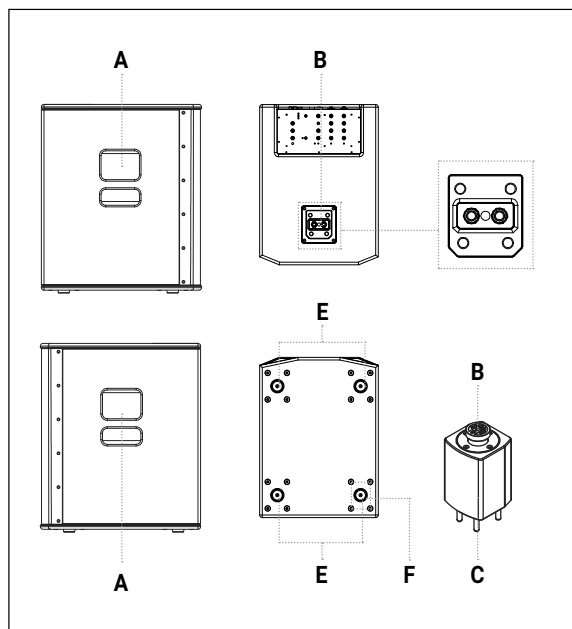
Para más información sobre todos los productos del catálogo **A.N.T.**, consulte nuestra página web: **www.ant-intomusic.com.**

2 | INSTALACIÓN

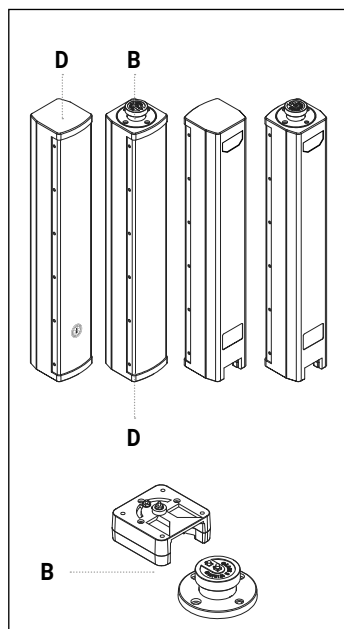
El sistema está formado por un subwoofer activo **B-TWIG 12S PRO** y por el kit **B-TWIG 12CS PRO**:

- A** | Asas laterales embutidas.
- B** | Conector de acoplamiento y desacoplamiento rápido de los elementos.
- C** | Elemento de soporte.
- D** | Difusores de columna pasivos con asas posteriores embutidas.
- E** | Pies antideslizantes de goma.
- F** | Fijaciones para ruedas de transporte.

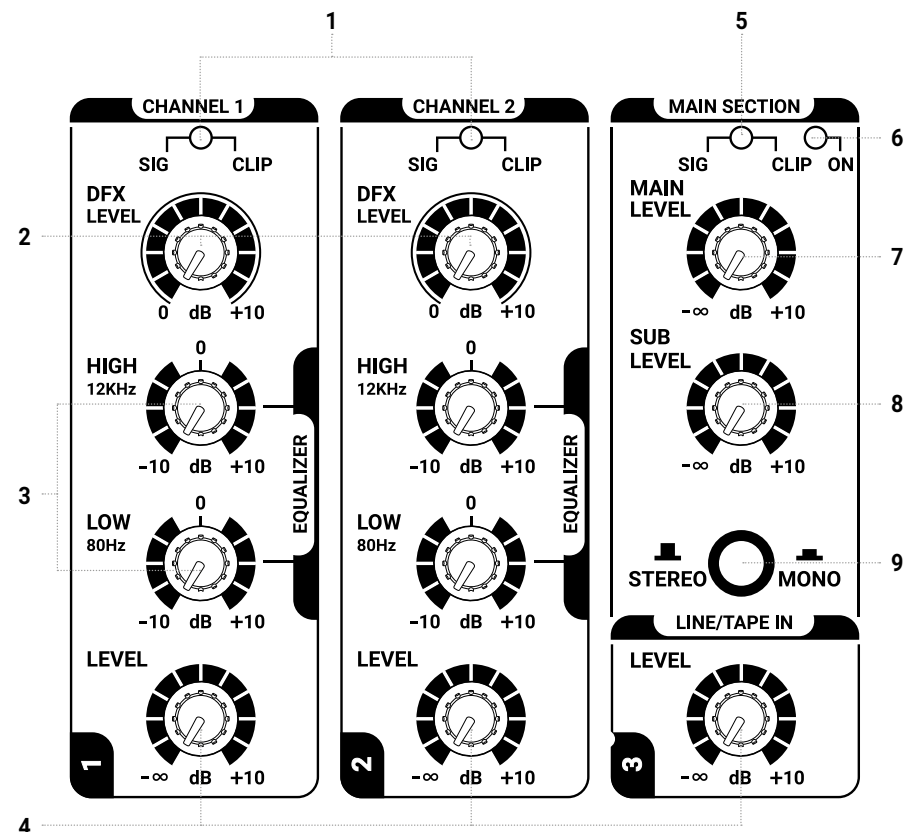
B-TWIG 12S PRO



B-TWIG 12CS PRO



3 | DESCRIPCIÓN



3.1 | ENTRADAS Y CONTROLES

1 CH1 / CH2 - LED BICOLOR SIG/CLIP

Verde: la señal está presente en el canal correspondiente.

Rojo: la señal de entrada es muy fuerte y está próxima a la distorsión.

Si el led se enciende repetidamente, es necesario bajar la señal de entrada o modificar la ecualización del canal reduciendo la acentuación causada por las ganancias de los tonos HIGH-LOW.

2 CH1 / CH2 - DFX LEVEL

Este envío, subordinado al control de nivel del canal correspondiente, permite regular la señal enviada a la unidad de efectos interna DFX.

3 CH1 / CH2 - EQUALIZER

Este ecualizador de dos bandas sirve para acentuar o atenuar las frecuencias altas y bajas para obtener el sonido deseado.

4 CH1 / CH2 / LINE/TAPE IN - LEVEL

Estos botones regulan el volumen del canal correspondiente, gírelos a la derecha para subir el nivel o a la izquierda para bajarlo.

5 MAIN SECTION - LED BICOLOR SIG/CLIP

Verde: la señal está presente en el canal MAIN.

Rojo: la señal de entrada al MAIN es muy fuerte y está próxima a la distorsión.

Si el led se enciende repetidamente, es necesario bajar el MAIN LEVEL o modificar los niveles de CH1 / CH2 / LINE/TAPE IN y AUX.

6 LED ON

Se ilumina cuando el aparato está conectado a la red eléctrica y el interruptor de encendido está situado en ON.

7 MAIN LEVEL

Este control regula el volumen de salida general del sistema. Gire el botón en sentido horario para subir el volumen o en sentido antihorario para bajarlo.

8 SUB LEVEL

Este control regula el volumen de salida del subgraves y permite balancear el nivel de las frecuencias bajas en función de la respuesta acústica del entorno. Gire el botón en sentido horario para aumentar el volumen del sub o en sentido antihorario para bajarlo.

9 BOTÓN ESTÉREO / MONO

Permite seleccionar la configuración de escucha del sistema en los dos modos de funcionamiento: ESTÉREO y MONO.

- Ponga el botón en MONO cuando utilice un solo sistema B-TWIG 12 PRO; en este caso, todas las señales estéreo presentes en entrada se suman internamente. La salida MIX OUT MONO (L/R) permite conectar una unidad adicional para duplicar el frente sonoro.

- Ponga el botón en ESTÉREO cuando utilice dos sistemas B-TWIG 12 PRO; en este caso, todas las señales estéreo presentes en entrada se mezclan en LEFT/RIGHT y, al mismo tiempo, se asocian a los respectivos sistemas del siguiente modo:

El canal izquierdo (L) de todas las entradas estéreo se reproduce en la unidad principal, mientras que el canal derecho (R) de todas las entradas estéreo se reproduce en la unidad adicional, conectada a la salida MIX OUT STEREO (R).

10 PAIR - BOTÓN Y LED INDICADOR

Utilice este botón para sincronizar el dispositivo Bluetooth® con el sistema, del siguiente modo:

- pulse el botón PAIR durante 3 segundos hasta que el led parpadee rítmicamente;
- para inicializar la sincronización, active el Bluetooth® desde la interfaz de usuario de su dispositivo móvil;

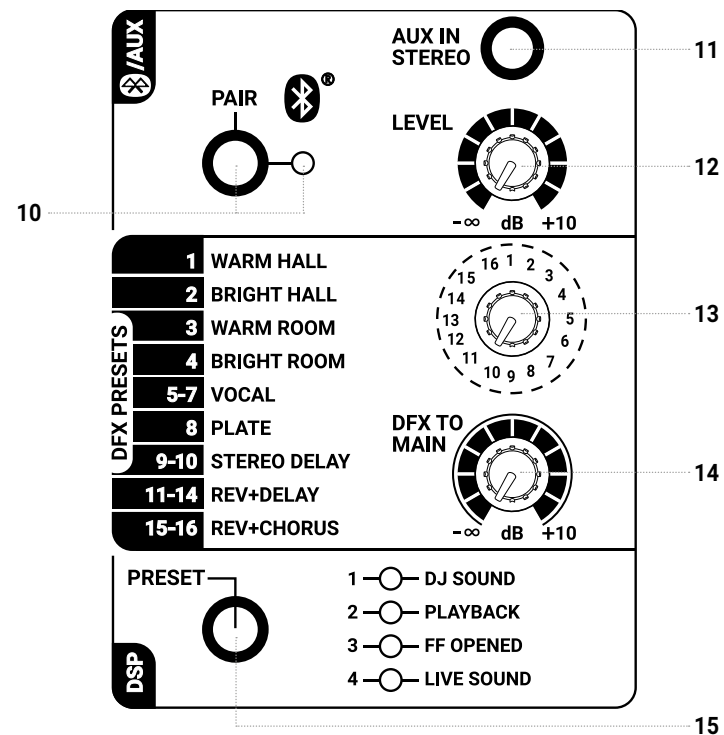
- en la lista de aparatos detectados por su teléfono o tableta, seleccione "B-TWIG 12 PRO" para sincronizar su dispositivo móvil con el sistema.

Una vez concluida la operación, el led permanece encendido con luz fija y se puede comenzar a reproducir las pistas, siempre que el dispositivo móvil se mantenga dentro de los 10 m de distancia.

La conexión Bluetooth® se puede desactivar en cualquier momento, pulsando durante 3 segundos el botón PAIR o disociando la unidad B-TWIG 12 PRO del dispositivo móvil. En ambos casos, el led destella lentamente cada 5 segundos para señalar la desconexión.

11 AUX IN STEREO

Esta entrada estéreo de 3,5 mm acepta señales por cable desde dispositivos externos, como smartphones, tabletas, ordenadores o cualquier otro aparato dotado de salida minijack estéreo.



12 BLUETOOTH® / AUX - LEVEL

Este botón regula el volumen de las entradas AUX IN STEREO y BLUETOOTH®: gírelo a la derecha para subir el nivel o a la izquierda para bajarlo.

13 DFX PRESETS

Es un selector de 16 posiciones que permite elegir el tipo de efecto.

Para una guía rápida, a la izquierda del selector se encuentra la lista de los efectos.

Los cuatro primeros efectos emulan distintas reverberaciones caracterizadas por reflexiones del sonido en dos entornos diferentes; los cuatro siguientes (5-8) se aconsejan para voz o percusiones en general; los delays estéreo generan el clásico efecto de retardo de la señal principal, y las combinaciones multiefecto (11-16) son ideales para la voz y para numerosos instrumentos solistas.

14 DFX TO MAIN

Este botón establece el nivel general de la señal de la unidad de efectos DFX para la salida principal.

Utilícelo para aumentar o disminuir la cantidad de señales procesadas que se enviarán al MAIN LEVEL.

15 DSP - BOTÓN PRESET Y LED INDICADOR

Este botón permite seleccionar la ecualización adecuada para el uso del sistema.

El led encendido indica el preajuste activado.

• DJ SOUND

Indicado para instalaciones en discotecas o en un DJ set móvil, para los cuales se requiere una tímbrica de impacto con predominancia de graves muy profundos e incitantes.

• PLAYBACK

Para escuchar y utilizar música grabada (lectores de CD, MP3, etc.). Se enfatizan las frecuencias bajas y altas.

Indicado para todas las situaciones en las cuales se difunde música de fondo, incluso a bajo volumen.

• FF OPENED

Este preajuste optimiza la inteligibilidad de la voz hablada con una respuesta dinámica precisa y balanceada.

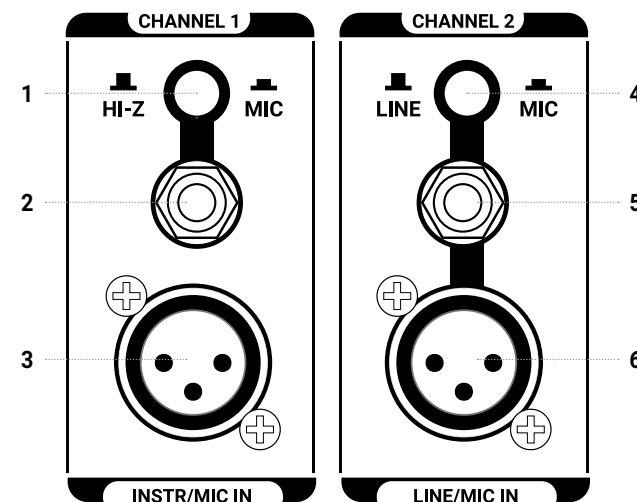
Es ideal para la difusión de anuncios, avisos y mensajes vocales, así como para escuchar y utilizar música grabada, con los dos difusores orientados en sentido contrario al frente de onda principal de escucha.

NOTA: el preajuste FF OPENED no sustituye a la disposición correcta de los difusores ni actúa con retardos diferenciados de emisión de la señal en los diversos transductores.

• LIVE SOUND

Permite utilizar el sistema para actuaciones en directo. Por su respuesta lineal y fiel, está indicado para conciertos en salas, para músicos y cantantes.

3.2 | CONEXIONES



1 BOTÓN HI-Z / MIC - CH1

Este botón permite conmutar la impedancia de la señal de entrada en el canal 1. Ponga el botón en MIC para conectar un micrófono o en HI-Z para conectar una guitarra electroacústica. El botón actúa sólo sobre la toma de entrada jack de 6,35 mm.

2 HI-Z INPUT - CH1

Entrada balanceada con toma jack de 6,35 mm. También es posible utilizar un cable no balanceado.

3 MIC INPUT - CH1

Entrada de micrófono balanceada con toma XLR-F.

4 BOTÓN LINE / MIC - CH2

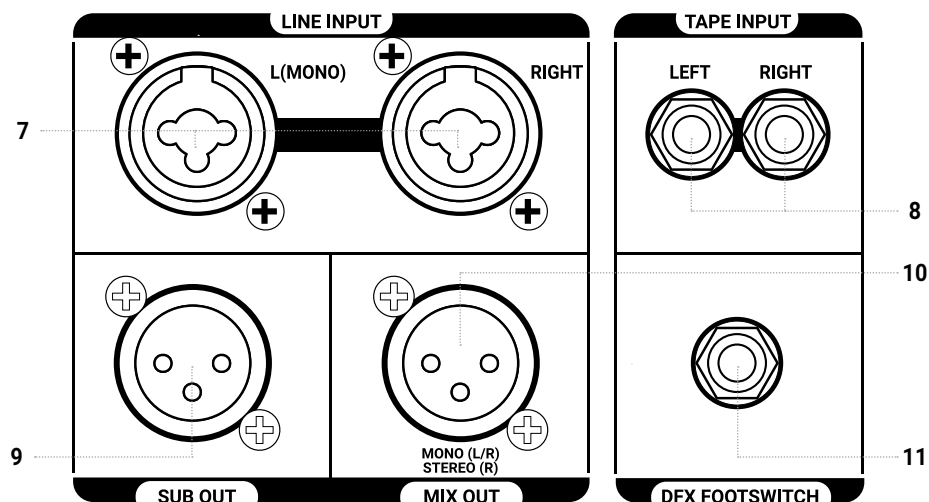
Ponga el botón en LINE para utilizar una fuente a nivel de línea, o en MIC para utilizar un micrófono.

5 LINE INPUT - CH2

Entrada balanceada con toma jack de 6,35 mm. También es posible utilizar un cable no balanceado.

6 MIC INPUT - CH2

Entrada de micrófono balanceada con toma XLR-F.



7 LINE INPUT L/R

Entradas de línea balanceadas con tomas COMBO (XLR-F + jack de 6,35 mm); si se conecta un solo cable a la toma L (MONO), la señal se procesa internamente como mono. El volumen de estas entradas se regula con el botón del canal 3.

8 TAPE INPUT L/R

Entrada de línea no balanceada con tomas RCA L/R. Conecte a estas tomas la salida de un aparato hi-fi (CD) u otro dispositivo con salidas RCA L/R. El volumen de estas entradas se regula con el botón del canal 3.

9 SUB OUT

Salida XLR-M balanceada para transmitir la señal a otro subwoofer activo. El nivel depende de la posición de los botones SUB LEVEL y MAIN.

10 MIX OUT L/R - R

Salida XLR-M balanceada para transmitir la señal MAIN MIX a otro sistema B-TWIG 12 PRO.

La salida está condicionada por la posición del botón ESTÉREO/MONO descrito en el punto 9 del capítulo 3.1.

Con el botón bajado (MONO): todas las señales presentes en los canales de entrada se suman internamente y la salida MIX OUT suministra la señal para un sistema adicional de refuerzo.

Con el botón levantado (ESTÉREO): la señal presente en el canal izquierdo (L) de todas las entradas estéreo se asocia al sistema principal y se reproduce exclusivamente en él, mientras que la señal presente en el canal derecho (R) de todas las entradas estéreo se asocia al sistema adicional y se reproduce en él.

NOTA: La señal de las entradas Mono CH1 y CH2 se reproduce del mismo modo a la izquierda (sistema principal) y a la derecha (sistema adicional).

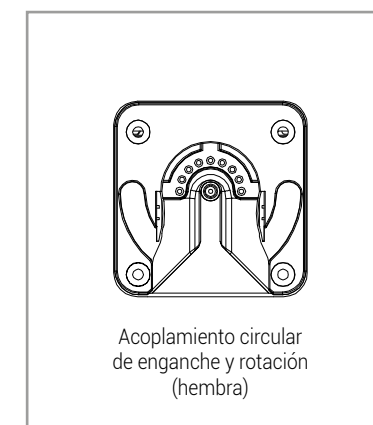
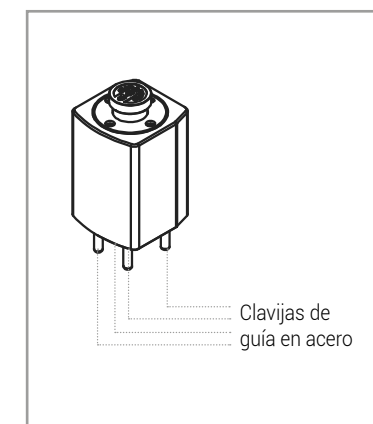
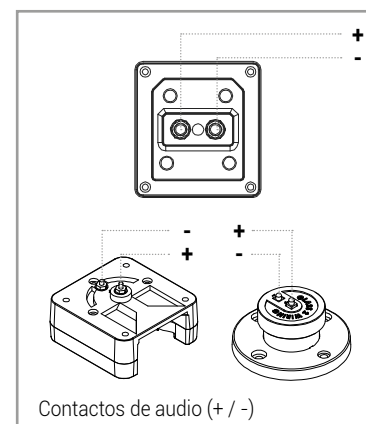
ATENCIÓN: cuando conecte dos sistemas en configuración estéreo, ajuste los controles del sistema adicional (R) de modo idéntico para obtener un frente sonoro estéreo equilibrado y balanceado.

11 DFX FOOTSWITCH

Conecte a esta toma jack no balanceada un pedal externo para incluir o excluir los efectos internos. Presione una vez para desactivar los efectos y otra vez para reactivarlos.

12 SISTEMA DE ENSAMBLAJE RÁPIDO DE LOS ELEMENTOS

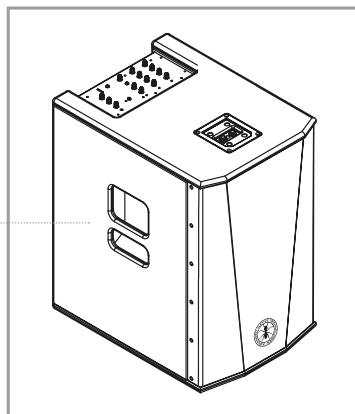
Este mecanismo permite enganchar y desenganchar los componentes del sistema asegurándoles un funcionamiento perfecto y seguro.



13 ASAS laterales embutidas SUBWOOFER

Utilícelas para el transporte y el posicionamiento del subgraves. No las emplee para colgar el subwoofer ni para bloquearlo en cualquier posición.

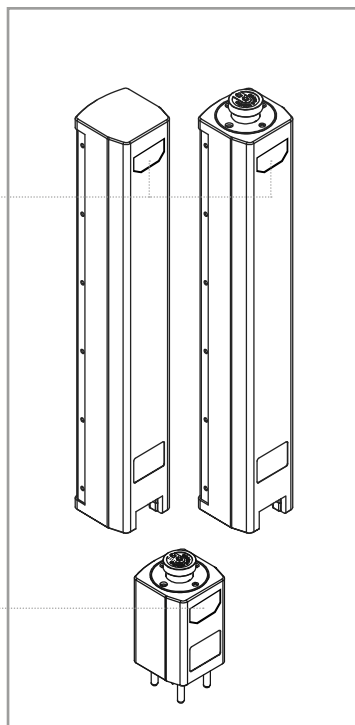
13



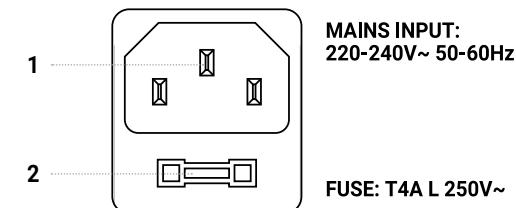
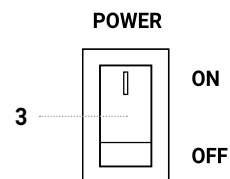
14 ASAS posteriores embutidas DIFUSORES / ELEMENTO DE SOPORTE

Utilícelas para el transporte y el posicionamiento de los elementos. No las emplee para colgar los difusores de la pared o del techo, ni para bloquear los difusores en cualquier posición.

14



3.3 | ALIMENTACIÓN



MAINS INPUT:
220-240V~ 50-60Hz

FUSE: T4A L 250V~

POWER CONSUMPTION: 700W
(Replace fuse with same ratings)
(Remplacer le fusible avec le même type)

1 MAINS INPUT

Toma IEC de entrada con filtro de red integrado. El dispositivo se suministra con el cable de alimentación específico para la zona. Inserte el cable de alimentación eléctrica en esta toma, pero controle que el aparato esté apagado antes de conectar el cable a la red. Por su seguridad, no desconecte nunca el polo central de tierra.



¡ATENCIÓN!

No quite nunca la rejilla frontal de protección del aparato. Para evitar el peligro de descarga eléctrica, en caso de daño accidental o sustitución de la rejilla de protección (lo cual debe realizarse en un centro de asistencia), desconecte inmediatamente la alimentación.



ATENCIÓN: Para reducir el riesgo de descarga eléctrica, no conecte nunca la alimentación de red al aparato con la rejilla extraída.

2 FUSE

Fusible de protección integrado en la toma eléctrica.



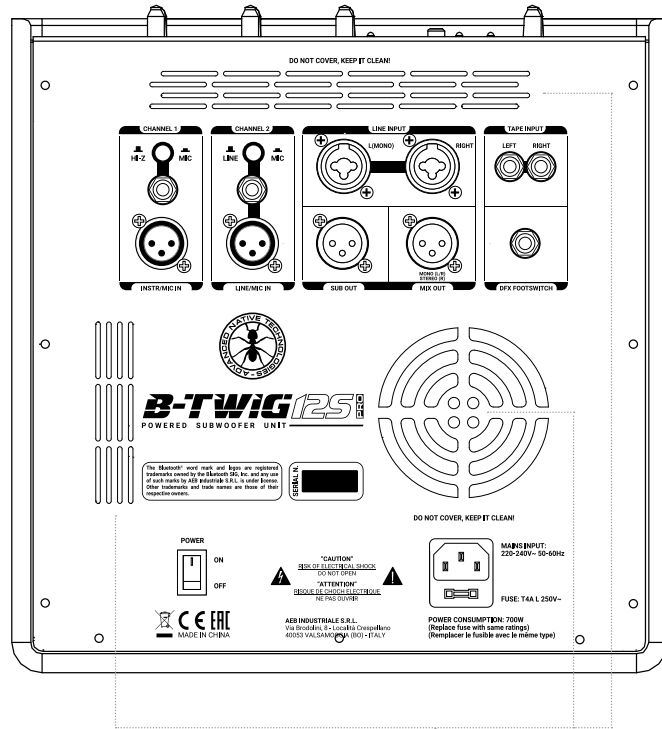
ATENCIÓN: Cambie el fusible únicamente por otro del mismo tipo y con las mismas características. Si el fusible continúa quemándose, contacte con un centro de asistencia autorizado.

3 POWER ON/OFF

Interruptor para encender y apagar el aparato.

4 VENTILADOR DE REFRIGERACIÓN Y RANURAS DE AIREACIÓN

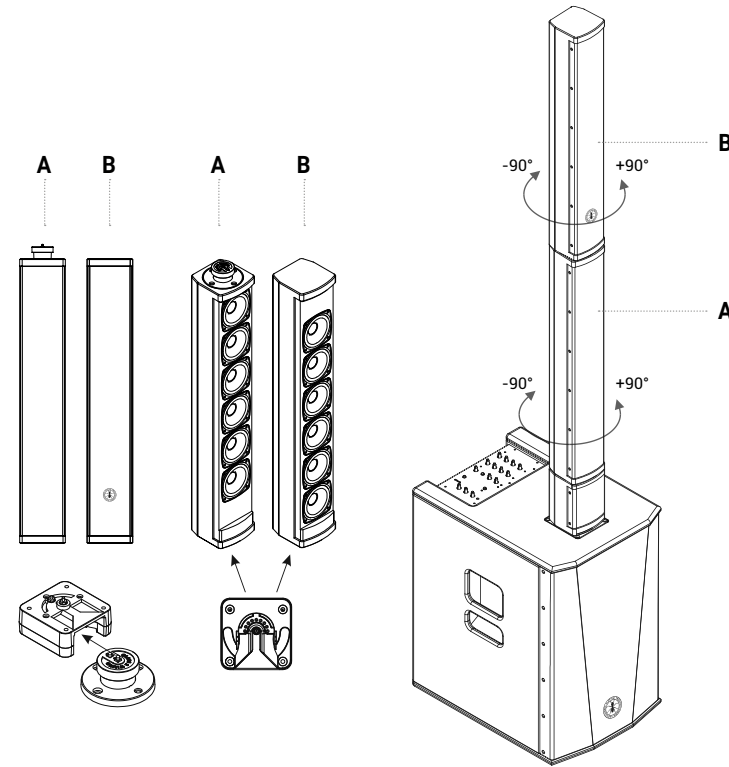
Para asegurar la refrigeración del amplificador y mantener la temperatura del panel en el rango de valores establecido por la ley, es indispensable que el aparato tenga una ventilación correcta. Por este motivo, se recomienda no obstruir ni cubrir de ningún modo las ranuras de ventilación situadas en el bastidor posterior del subwoofer.



4

3.4 | KIT B-TWIG 12CS PRO

El kit está formado por dos elementos de columna idénticos. Ambos están dotados del mecanismo de ensamblaje por encastre que permite enganchar y desenganchar rápidamente los componentes del sistema, asegurándoles un funcionamiento perfecto y seguro. También se incluye un sistema de rotación que permite orientar los difusores 90° hacia la izquierda o la derecha.



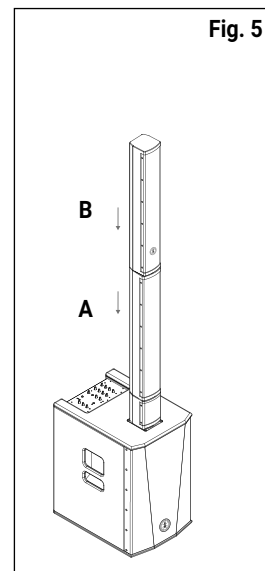
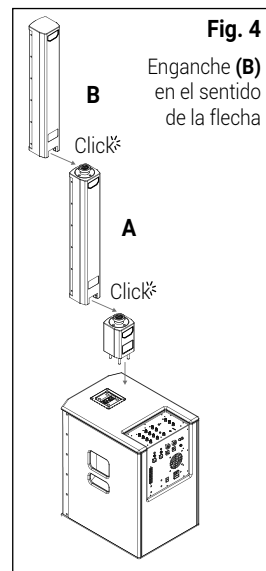
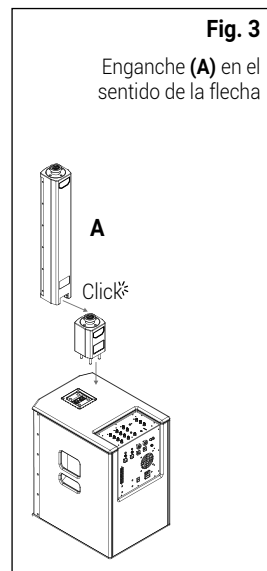
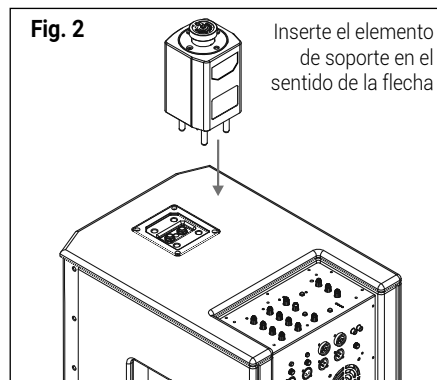
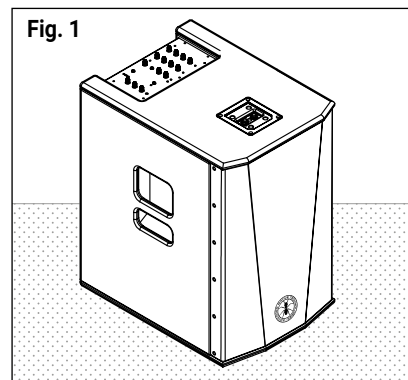
4 | INSTRUCCIONES PARA MONTAR Y DESMONTAR EL SISTEMA

Para instalar los aparatos y asegurar un funcionamiento correcto, respete estrictamente las instrucciones siguientes.

- Coloque el subwoofer en posición vertical sobre una superficie llana y estable, controlando que todos los pies de goma estén perfectamente adheridos a dicha superficie.
- No instale nunca el sistema sobre carros móviles, sillas, mesas u objetos similares que no tengan la estabilidad y la resistencia necesarias.
- Para asegurar una disipación correcta del calor del amplificador, deje una distancia suficiente entre el panel trasero del subwoofer y cualquier otro objeto, como paredes, esquinas o cortinas, y no instale nunca el aparato cerca de fuentes de calor de cualquier tipo.
- No obstruya nunca las ranuras de ventilación situadas en el bastidor trasero del subwoofer.

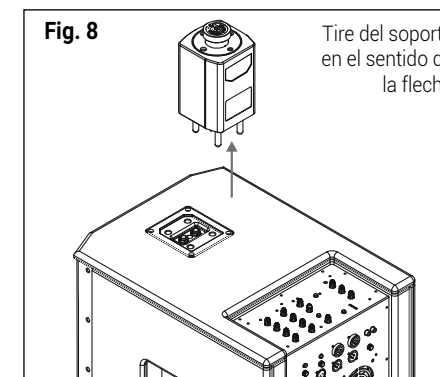
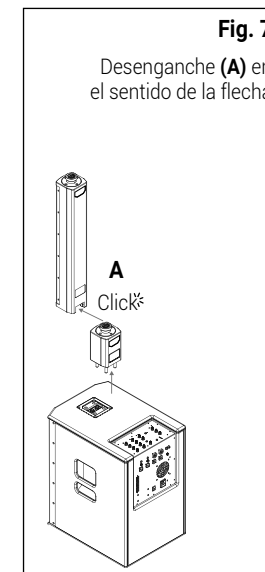
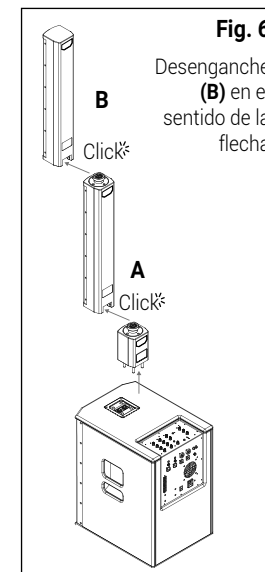
INSTALACIÓN:

- Coloque el subwoofer sobre una superficie llana y perfectamente horizontal. (Fig. 1)
- Coloque el elemento de soporte en el subwoofer, introduciendo las cuatro clavijas de acero y los dos jacks de audio en las cavidades correspondientes. (Fig. 2)
- Deslice la base del difusor inferior (A) sobre la parte superior del soporte hasta que se bloquee. (Fig. 3)
- Repita la operación para enganchar el difusor superior (B) sobre el difusor inferior (A). (Fig. 4 - Fig. 5)



DESINSTALACIÓN:

- Empuje la parte posterior del difusor superior (B) para desengancharlo del difusor inferior (A). (Fig. 6)
- Repita esta operación para separar el difusor inferior (A) del elemento de soporte. (Fig. 7)
- Extraiga el soporte del subwoofer y guarde todos los elementos. (Fig. 8)

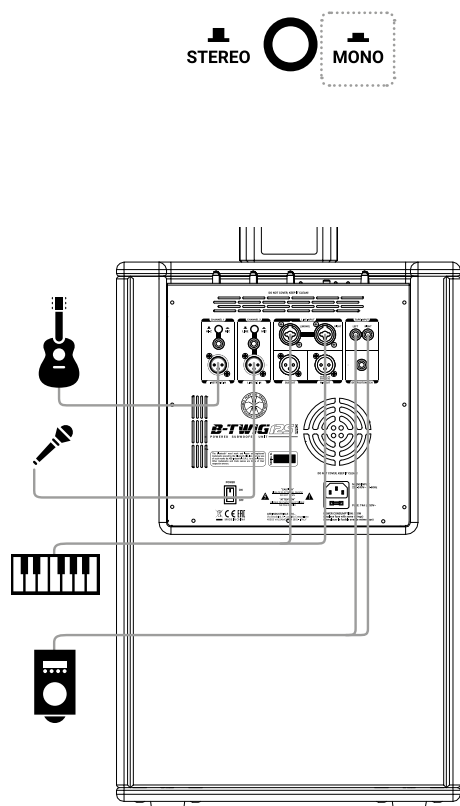


5 | CONFIGURACIONES DE USO

MONO - UN B-TWIG 12 PRO

Utilice esta configuración MONO para sonorizar un local pequeño con un sistema B-TWIG12 PRO.

Todas las señales presentes en los canales de entrada (CH1, CH2, CH3 y AUX/BT) se suman internamente y se reproducen en MONO.



APLICACIONES

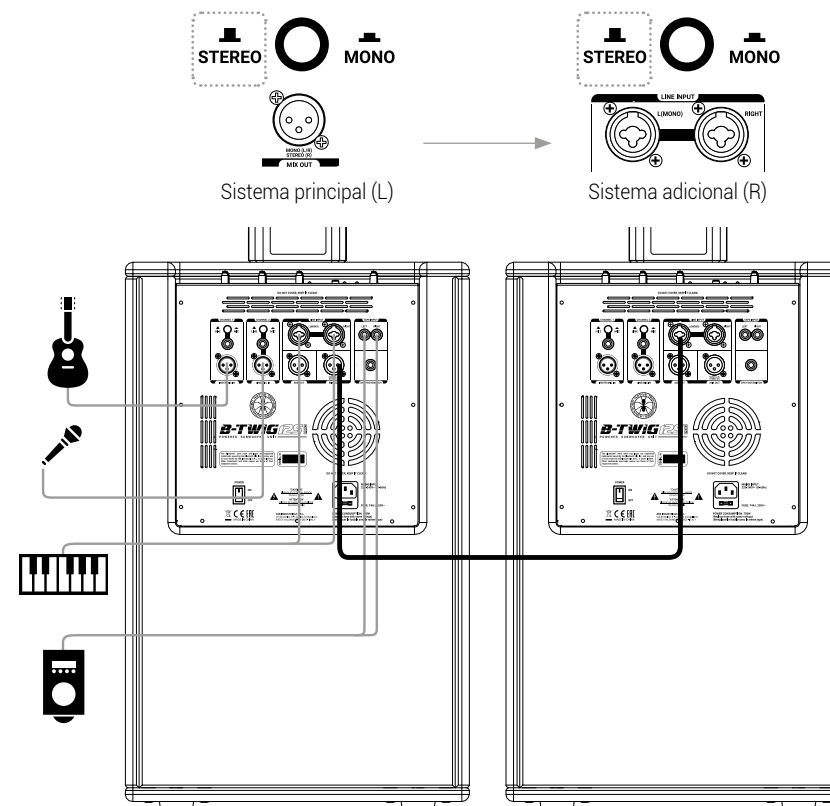
- Directos solo/dúo
- Pianista cantante/Dj Set
- A/V multimedia, pequeñas salas de baile
- Monólogos y presentaciones de empresa

ESTÉREO - DOS B-TWIG 12 PRO

Utilice esta configuración ESTÉREO para sonorizar un local mediano con dos sistemas B-TWIG12 PRO. La señal presente en el canal izquierdo (L) de todas las entradas estéreo se asocia al sistema principal y se reproduce exclusivamente en él, mientras que la señal presente en el canal derecho (R) de todas las entradas estéreo se asocia al sistema adicional y se reproduce en él.

Ajuste de modo homogéneo el MAIN LEVEL de ambos sistemas.

NOTA: La señal de las entradas Mono CH1 y CH2 se reproduce del mismo modo a la izquierda (sistema principal) y a la derecha (sistema adicional).



APLICACIONES

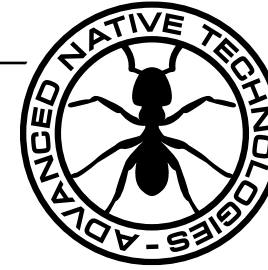
- Grupos de directo/salas de ensayo
- Pianista cantante/Dj Set
- A/V multimedia, salas de baile
- Instalaciones fijas/aplicaciones teatrales

6 | SOLUCIÓN DE PROBLEMAS

PROBLEMA	PILOTOS LUMINOSOS	SOLUCIÓN
No hay sonido o es demasiado bajo	Led Power apagado	Controle que el aparato esté bien conectado a la toma de corriente.
	Led Power encendido pero MAIN LEVEL bajado.	Levante el botón MAIN LEVEL.
Distorsión	Led SIG/CLIP rojo	Atenúe el nivel de los canales de entrada y/o del MAIN LEVEL.
	Led SIG/CLIP verde	Controle el nivel de la fuente. Controle la conexión entre el subwoofer y los elementos A/B.
Sonido con resonancia		Atenúe el SUB LEVEL.
Sonido estridente		Suba el SUB LEVEL.
		Baje el MAIN LEVEL.
Atenuación de algunas frecuencias que resultan predominantes, señal poco fiel, entorno reverberante		Elija otro preajuste en función de las características acústicas del local.

7 | CARACTERÍSTICAS TÉCNICAS

Tipo	Sistema de columna amplificado
Subwoofer (B-TWIG 12S PRO)	Caja Bass Reflex 1 altavoz custom de 12" en ferrita - 2.5" VC
Kit Difusores de columna (B-TWIG 12CS PRO)	12 altavoces custom de neodimio de 3.5" - 1" VC
Dispersión media	120°
Respuesta en frecuencia	45Hz - 20kHz
NPS - MÁX	126 dB
Amplificación	Clase D
Potencia de pico LF + HF	2800 W
Crossover	24 dB/Oct a 200 Hz
DSP	56 bits
Conversión de audio AD/DA	24 bits/ 48 kHz
Ecuación del sistema	4 preajustes
Conectores I/O	CH1 y CH2: 2 XLR-F + 2 jacks de 6,35 mm (1/4") CH3 LINE IN: 2 combo L/R TAPE IN: RCA L/R AUX IN: 1 minijack de 3,5 mm SUB OUT/MIX OUT: 2 XLR-M DFX FOOTSWITCH: 1 jack de 6,35 mm (1/4")
Alimentación	220-240 V~ 50-60 Hz
Fusible	T4A L 250 V~
Absorción máxima de potencia	700 W
Mecanismo de fijación	Conector con enganche automático y acoplamiento circular Rotación de los difusores - 90° derecha / izquierda



www.ant-intomusic.com

ENG The information contained in this manual have been carefully drawn up and checked. However no responsibility will be assumed for any incorrectness. This manual cannot cover all the possible contingencies which may arise during the product installation and use. Should further information be desired, please contact us or our local distributor. A.E.B. Industriale Srl can not be considered responsible for damages which may be caused to people and things when using this product. Specifications and features are subject to change without prior notice.

ITA Le informazioni contenute in questo manuale sono state attentamente redatte e controllate. Tuttavia non si assume alcuna responsabilità per eventuali inesattezze. Questo manuale non può contenere una risposta a tutti i singoli problemi che possono presentarsi durante l'installazione e l'uso dell'apparecchio. Siamo a vostra disposizione per fornirvi eventuali ulteriori informazioni e consigli. A.E.B. Industriale Srl non può essere ritenuta responsabile per danni o incidenti a cose o persone, causati o connessi all'utilizzazione o malfunzionamento dell'apparecchio. A.E.B. Industriale Srl si riserva il diritto di cambiare specifiche e aspetto del prodotto senza alcun preavviso.

FRA Les informations contenues dans cette notice ont été attentivement rédigées et contrôlées. Toutefois, notre responsabilité ne saurait être engagée quant aux éventuelles inexactitudes et/ou imprécisions des informations fournies. Cette notice ne peut pas fournir une réponse à chacun des problèmes qui peuvent éventuellement survenir pendant l'installation et l'utilisation de l'appareil. Raison pour laquelle nous restons à votre entière disposition pour tous renseignements et conseils complémentaires. A.E.B. Industriale Srl ne saurait être tenue pour responsable des dommages ou incidents aux biens et aux personnes provenant ou dépendant de l'utilisation ou du mauvais fonctionnement de l'appareil. A.E.B. Industriale Srl se réserve la faculté de modifier les spécifications et l'aspect du produit sans aucun préavis.

DEU Die Informationen in dieser Bedienungsanleitung wurden sorgfältig redigiert und kontrolliert. Für mögliche Ungenauigkeiten wird jedoch keinerlei Haftung übernommen. Diese Bedienungsanleitung kann eine Antwort auf alle Probleme geben, die bei Installation und Verwendung des Gerätes auftreten können. Für die Bereitstellung weiterer Informationen und Tipps stehen wir Ihnen gerne zur Verfügung. Die Firma A.E.B. Industriale Srl kann für Sach- und Personenschäden, die in Zusammenhang mit der Verwendung oder dem nicht korrekten Funktionieren des Geräts auftreten, nicht haftbar gemacht werden. A.E.B. Industriale Srl behält sich das Recht auf Änderung technischer Daten und der Produktoptik ohne Vorankündigung vor.

ESP La información contenida en este manual ha sido redactada y controlada con atención. Aún así, el fabricante se exime de toda responsabilidad por posibles inexactitudes. Este manual no puede dar respuesta a todos los problemas que se pueden presentar durante la instalación y el uso del equipo. Estamos a vuestra entera disposición para facilitar toda la información y los consejos necesarios. A.E.B. Industriale Srl se exime de toda responsabilidad por daños materiales y personales o accidentes, causados o relacionados con el uso y los problemas de funcionamiento del equipo. A.E.B. Industriale Srl se reserva el derecho a modificar las especificaciones y el diseño del producto sin previo aviso.

ENG - Download this manual in other languages on www.ant-intomusic.com

POR - Baixe este manual em outros idiomas em www.ant-intomusic.com

CES - Stáhněte si tento manuál v jiných jazycích na adrese www.ant-intomusic.com

POL - Pobierz tę instrukcję w innych językach na stronie www.ant-intomusic.com

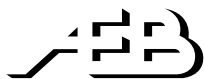


The Bluetooth® word mark and logos are registered trademarks owned by the Bluetooth® SIG, Inc. and any use of such marks by AEB Industriale S.R.L. is under license. Other trademarks and trade names are those of their respective owners.

Made in China
Made in China
Prodotto in Cina

Fabriqué en Chine
Fabricado en China





A.E.B. Industriale Srl - Via Brodolini, 8 - Località Crespellano
40053 Valsamoggia - Bologna (ITALIA)
Tel +39 051 969870 - Fax +39 051 969725