



Features:

- Dual diaphragm coaxial planar wave design
- Rectangular piston of 8"x3/4" (215.6 x 19 mm)
- Neodymium magnet assembly
- Perfect acoustical coupling of individual units to create a virtually continuous line source
- Extended bandwidth (400 - 22000 hz)
- With two subsystems in one, each driver covers a smaller frequency range for increased power handling, high dynamic and extremely low distortion
- Excellent phase coherence
- Perfect time alignment without problems of multi-source interference
- Ultra light weight and small size
- 8 or 16 ohm

The BMS 4508ND dual diaphragm coaxial planar wave driver radiates a coherent planar wave front from a rectangular piston without internal diffraction for superior dispersion control and high fidelity sound. The driver is in fact a 2-way system employing two concentric annular ring diaphragms. Each driver covers a smaller frequency range for increased power handling, high dynamic and extremely low distortion. This distinctive new transducer was engineered to work with 8-inch (215.6 mm x 19 mm) rectangular throat waveguides providing extremely high sensitivity.

The patented design of the BMS 4508 is a result of extensive dedicated research and development providing dramatic improvement in dynamic response, clarity and transparency. The larger annular midrange diaphragm covers the frequency range between 400 and 6.500 Hz with a smooth, linear response. The high diaphragm excursion of max. +/- 0,8 mm results in high output and increased power handling up to 1300 W peak.

The ultra light annular diaphragm for the high range offers exceptional transient response with very high efficiency from 6 to 22 kHz. The voice coils may be driven in conjunction with a passive crossover or driven individually from an active crossover.

The unique voice coil technology employs a light weight Copper clad Aluminum wire wound inside and outside of the Kapton™ former to improve the heat dissipation, dramatically increasing the acoustic output and reliability of the driver while minimises the power compression. The use of high grade Neodymium magnets provide improved performance while significantly reducing transducer weight.

The 4508ND is optimized for 0° to 15° vertical dispersion and allows a horizontal coverage up to 120° depending on the waveguide used. The unique design of the 4508ND dual diaphragm planar wave driver allows perfect acoustical

coupling of individual units with excellent phase coherence and perfect time alignment to create virtually continuous line source.

SPECIFICATIONS

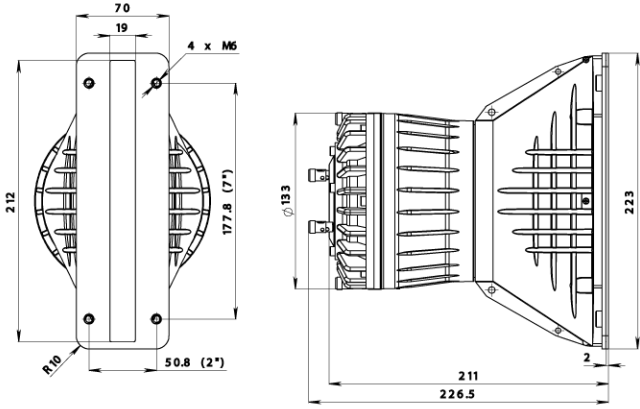
| | |
|----------------------------|---|
| Throat Rectangular | 8" x 3/4" (215.6 x 19 mm) |
| Nominal impedance | 8 or 16 Ohm |
| Efficiency | 35% (400 - 5.000 Hz) |
| Power capacity | |
| Middle range (AES) | 150 W above 400 Hz |
| Peak | 1000 W above 500 Hz |
| High range (AES) | 80W |
| Peak | 320W |
| Sensitivity | 112 dB on 90°x10° horn |
| Frequency range | 400 - 22.000 Hz |
| Recommended crossover Mid: | 400 Hz |
| Middle frequency range | 400 - 7.000 Hz |
| High frequency range | 6.000 - 22.000 Hz |
| Middle/High crossover | 6.300 Hz |
| Voice coil mid-range | 3.5" (90 mm) |
| Voice coil high-range | 1.75" (44.4 mm) |
| Magnet material | Neodymium |
| Flux density mid-range | 1.95 Tesla |
| Flux density high-range | 2.2 Tesla |
| Voice coil material | Cooper clad Aluminum |
| | (2 layers inside and outside of the VC) |
| Voice coil former | Kapton™ |
| Diaphragm material | Polyester |

| MOUNTING INFORMATION | |
|----------------------|-----------------------------------|
| Overall dimensions | 223 x 133 x 226.5 mm (+/- 0.3 mm) |
| Net weight | 3.9 kg |
| 4 x M6 Holes on | 177.8 x 50.8 mm, (7" x 2") |

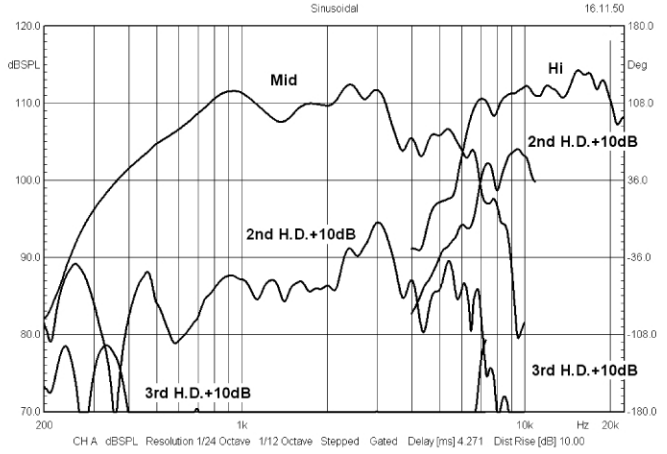
4508ND

8" dual diaphragm coaxial planar wave driver

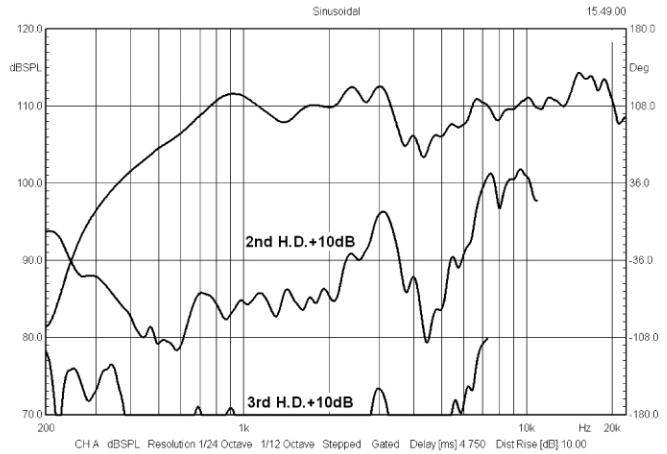
Coaxial Neodymium planar wave driver



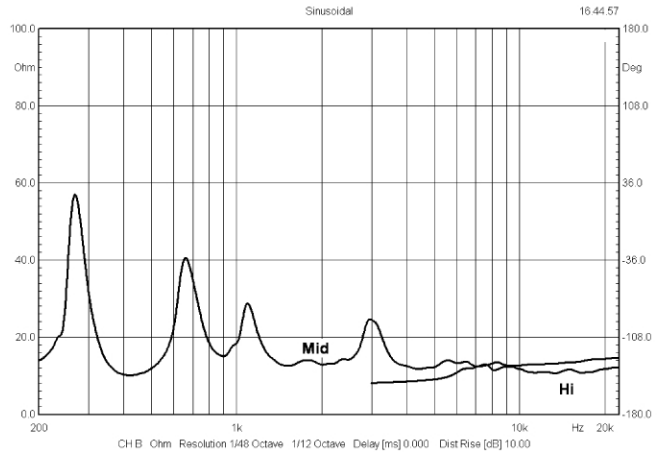
BMS 4508ND-16, 90° x 10° horn, 2nd and 3rd harmonic raised 10 dB, SPL 1 W / 1 m



BMS 4508ND-16, incl. passive crossover, 90° x 10° horn, 2nd and 3rd harmonic raised 10 dB, SPL 1 W / 1 m



Impedance - 16 Ohm driver



Coaxial Neodymium compression drivers