



BEAMZ
MADE
EAZY

150.577_150.578_150.590_150.591 V1.2

BATTERY UPLIGHT PAR

USER MANUAL

INDEX

ENGLISH

SAFETY INSTRUCTIONS.....	3
UNPACKING INSTRUCTION.....	4
POWERSUPPLY.....	4
RIGGING.....	4
RECHARGEABLE BATTERY OPERATION.....	5
DMX512 CONTROL.....	5
REMOTE CONTROLLER.....	5
WIRELESS DMX CONTROL.....	6
CLEANING.....	6
TROUBLE SHOOTING.....	7

NEDERLANDS

VEILIGHEIDSIINSTRUCTIES.....	8
UITPAKKEN.....	9
AANSLUITSPANNING.....	9
RIGGING.....	9
OPLADEN VAN DE BATTERIJ.....	10
DMX BEDIENING.....	10
AFSTANDBEDIENING.....	10
DRAADLOOS DMX.....	11
REINIGEN.....	11
PROBLEMEN OPLOSSEN.....	12

DEUTSCH

SICHERHEITSHINWEISE.....	13
AUSPACKEN.....	14
NETZANSCHLUSS.....	14
RIGGING.....	14
AKKUBETRIEB.....	15
DMX BEDIENUNG.....	15
FERNBEDIENUNG.....	15
DRAHTLOSE DMX-STEUERUNG.....	16
REINIGUNG.....	16
FEHLERSUCHE.....	17

ESPAÑOL

INSTRUCCIONES DE SEGURIDAD.....	18
INSTRUCCIONES DE DESEMBALAJE.....	19
FUENTE DE ALIMENTACIÓN.....	19
INSTALACIÓN.....	19
OPERATIVA CON BATERÍA RECARGABLE.....	20
CONTROL DMX512.....	20
MANDO A DISTANCIA.....	20
CONTROL INALAMBRICO DMX.....	21
LIMPIEZA.....	21
SOLUCIÓN DE PROBLEMAS.....	22

FRANÇAIS

INSTRUCTIONS DE SECURITE.....	23
INSTRUCTIONS DE DEBALLAGE.....	24
ALIMENTATION.....	24
FIXATION.....	24
FONCTIONNEMENT SUR ACCUMULATEUR.....	25
GESTION DMX512.....	25
TELECOMMANDE.....	25
GESTION DMX SANS FIL.....	26
NETTOYAGE.....	26
RESOLUTION DE PROBLEMES.....	27

POLSKI

INSTRUKCJA BEZPIECZENSTWA.....	28
ROZPAKOWYWANIE INSTRUKCJI.....	29
ZASILACZ.....	29
MOCOWANIE.....	29
UZYTKOWANIE AKUMULATORA.....	30
KONTROLA DMX512.....	30
PILOT ZDALNEGO STEROWANIA.....	30
BEZPRZEWODOWE STEROWANIE POPRZEZ DMX.....	31
CZYSZCZENIE.....	31
ROZWIĄZYWANIE PROBLEMÓW.....	32

TECHNICAL DETAILS

CONTROL MENU.....	33
DMX CHANNELS.....	34
6 CHANNELS.....	34
10 CHANNELS.....	34
TECHNICAL SPECIFICATIONS.....	35

SAFETY INSTRUCTIONS



WARNING! Before carrying out any operations with the unit, carefully read this instruction manual and keep it with care for future reference. It contains important information about the installation, usage and maintenance of the unit.

- Unpack and check carefully that there is no transportation damage before using the unit
- Please read these instructions carefully and follow the instructions.
- Observe all safety warnings. Never remove safety warnings or other information from the equipment.
- Be sure that no ventilation slots are blocked; otherwise the unit will overheat.



WARNING! Before connecting the equipment to the power outlet, first verify that the mains voltage and frequency match the values specified on the equipment. If the equipment has a voltage selection switch, connect the equipment to the power outlet only if the equipment values and the mains power values match. If the included power cord or power adapter does not fit in your wall outlet, contact your electrician.

- After connecting the unit, check all cables in order to prevent damage or accidents, e.g., due to tripping hazards.
- Make sure that the power cord is never crimped or damaged. Check the unit and the power cord from time to time.
- Always disconnect power from the mains, when unit is not used or before cleaning! Only handle the power cord by the plug. Never pull out the plug by tugging the power cord.
- Unplug the power cord and power adapter from the power outlet if there is a risk of a lightning strike or before extended periods of disuse.
- Do not switch the unit on and off in short intervals.
- Do not connect the unit to a dimmerpack.
- Install the unit in a well ventilated place.
- Never place any material over the lens.
- Always allow free air space of at least 50 cm around the unit for ventilation.
- Make sure that the area below the installation place is blocked when rigging, derigging or servicing the unit.
- For mounting height >100 cm, always fix the unit with an appropriate safety-rope. Fix the safety-rope at the correct fixation points only. The safety-rope must never be fixed at the transport handles!
- Never look directly at the light beam. Please note that fast changes in lighting, e.g. flashing light, may trigger epileptic seizures in photosensitive persons or persons with epilepsy.
- This unit is not designed for permanent operation. Consistent operation breaks will ensure that the unit will serve you for a long time without defects.



WARNING! If the power cord of the unit is equipped with an earthing contact, then it must be connected to an outlet with a protective ground. Never deactivate the protective ground of a power cord.

- Make sure that the unit is not exposed to extreme heat, moisture or dust.
- Clean the unit using a dry cloth.
- Do not touch the unit bare-handed during its operation (housing becomes very hot). Allow the unit to cool for at least 5 minutes before handling.
- This unit is designed exclusively for indoor use, do not use this equipment in the immediate vicinity of fluid (does not apply to special outdoor equipment - in this case, observe the special instructions noted below). Do not expose this unit to flammable materials, fluids or gases.
- If the unit has been exposed to drastic temperature fluctuation (e.g. after transportation), do not switch it on immediately. The arising condensation water might damage your unit. Leave the unit switched off until it has reached room temperature.
- Never attempt to bypass the thermostatic switch or fuses.
- Do not dismantle or modify the unit.
- For replacement use fuses/bulb of same type and rating only.
- Repairs, servicing and electric connection must be carried out by a qualified technician.
- The ambient temperature must always be between -5° C and +45° C.
- If this unit is operated in any other way, than the one described in this manual, the product may suffer damages and the warranty becomes void.
- Plastic bags must be kept out of reach of children.
- Unit must be installed out of the reach of children. Never leave the unit running unattended.



This symbol on the product or on its packaging indicates that this product shall not be treated as household waste. Instead it shall be handed over to the applicable collection point for the recycling of electrical and electronic equipment.

By ensuring this product is disposed of correctly, you will help prevent potential negative consequences for the environment and human health, which could otherwise be caused by inappropriate waste handling of this product. The recycling of materials will help to conserve natural resources. For more detailed information about recycling of this product, please contact your local Civic Office, your household waste disposal service or the shop where you purchased the product.

UNPACKING INSTRUCTION

CAUTION! Immediately upon receiving the product, carefully unpack the carton, check the contents to ensure that all parts are present, and have been received in good condition. Notify the shipper immediately and retain packing material for inspection if any parts appear damage from shipping or the package itself shows signs of mishandling. Save the package and all packing materials. In the event that the product must be returned to the factory, it is important that the product be returned in the original factory box and packing.

If the unit has been exposed to drastic temperature fluctuation (e.g. after transportation), do not switch it on immediately. The arising condensation water might damage your unit. Leave the unit switched off until it has reached room temperature.

POWERSUPPLY

On the label on the backside of the unit is indicated on this type of power supply must be connected. Check that the mains voltage corresponds to this, all other voltages than specified, the light effect can be irreparably damaged. The product must also be directly connected to the mains and may be used. No dimmer or adjustable power supply.

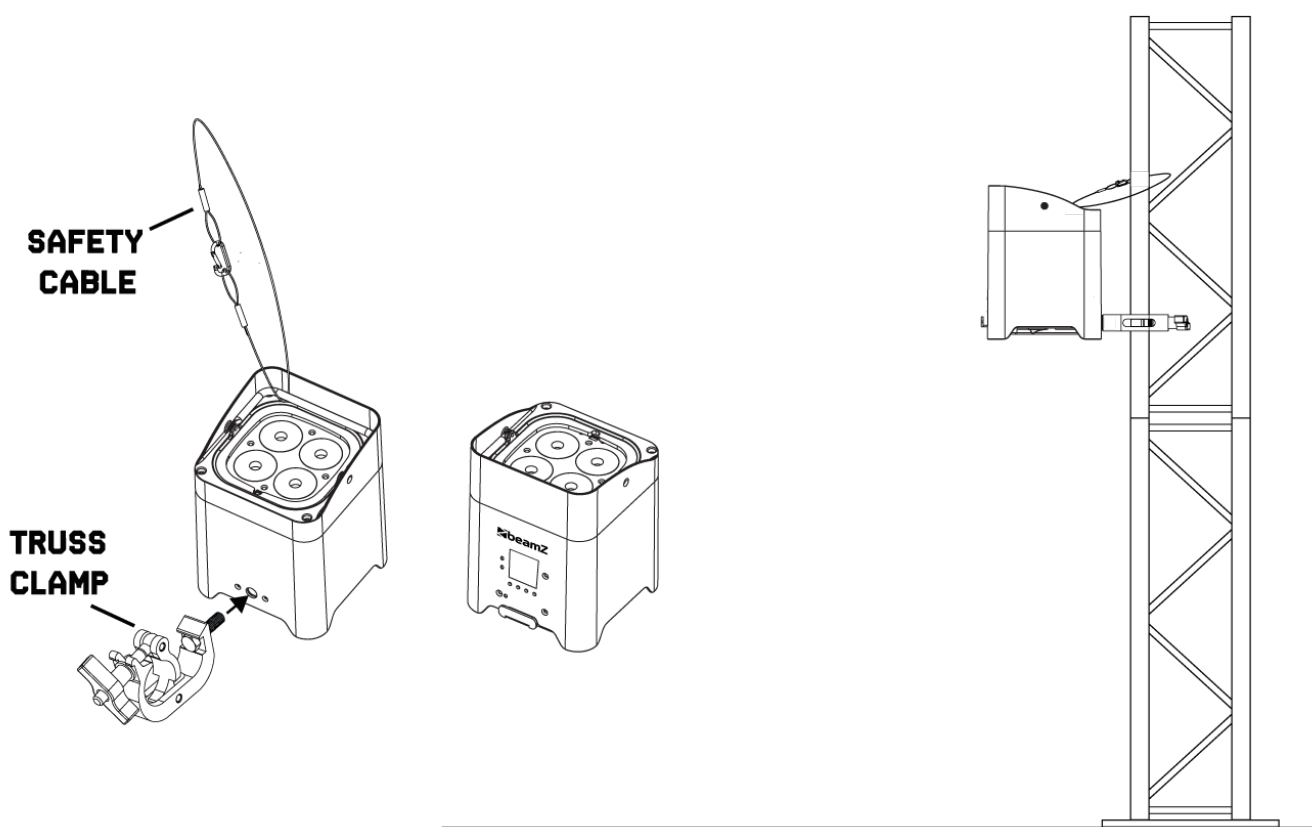


WARNING! Always connect the unit to a protected circuit (circuit breaker or fuse). Make sure the unit has an appropriate electrical ground to avoid the risk of electrocution or fire.

RIGGING

The unit may be set up on a stable and even surface. By means of the fixing facilities of the baseplate, the unit can also be mounted upside down to a truss, see below picture. For fixing, certified clamps with correct safe working load are required. According to the figure, the quick lock bolts of the omega brackets are placed into the openings provided in the base plate and turned clockwise until they lock (to the stop). The mounting place must be of sufficient stability and be able to support a weight of 10 times of the unit's weight. Secure the unit with a safety cable so that it cannot fall down.

When carrying out any installation, always comply European and national guidelines concerning rigging, truss and all other safety issues. Always let the installation checked out by an authorized dealer!



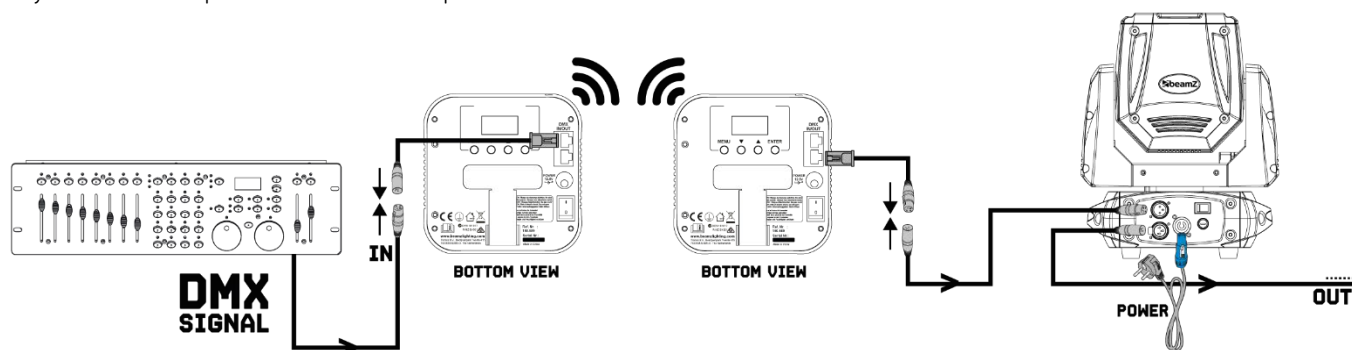
RECHARGEABLE BATTERY OPERATION

Prior to operating the device off mains for the first time, the rechargeable battery must be fully charged.

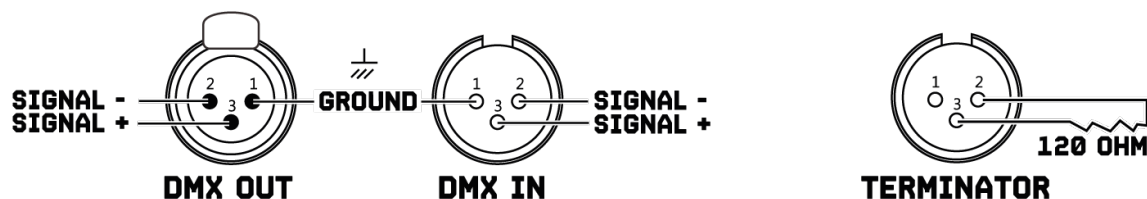
1. Switch on the device with the power switch. The operating time of the battery depends on the operating mode and the ambient temperature. After the operation, switch the device off.
2. For charging the battery, connect the device to a power outlet via the enclosed adapter. The device may be operated during the charging procedure.
3. The device features a protective circuit for charging which prevents overload of the rechargeable battery. However, disconnect the device from the mains after charging. Otherwise there will be a low current consumption even if the device is switched off.
4. The device will heat up during charging; this is normal.
5. To prevent damage to the battery by deep discharge, recharge a battery completely discharged as soon as possible. Do not store the unit with the battery completely discharged and regularly recharge the battery in case of long storage.

DMX512 CONTROL

If you are using a standard DMX controller, you can connect the DMX output of the controller directly to the DMX input of the first unit in a DMX chain. Always connect the output of one unit with the input of the next unit until all units are connected.



CAUTION! At the last unit, you must close the DMX line with a terminating resistor. Take an XLR connector and solder a 120 Ohm resistor between signal (-) and signal (+) and connect it to the DMX output of the last unit in the line.



REMOTE CONTROLLER

BLACK OUT MODE

Press <BLACK OUT> off existing modes. Press <BLACK OUT> return the last modes.

AUTO MODE

Automatic mode will enable you to run the automatic programs on the product.

To turn on Automatic mode:

1. Press <AUTO> on the remote controller.
2. Press <+> or <-> to choose between the different auto programs.

SOUND MODE

Sound-Active mode will enable the product to respond to the music.

To turn on Sound-Active mode:

1. Press <SOUND> on the remote controller.
2. Press <+> or <-> to choose between the different sound programs.

STROBE MODE

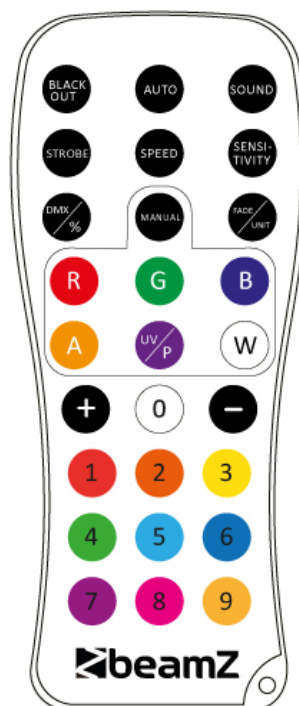
To adjust the strobe speed of the automatic program and the sound active program.

1. Press <STROBE> on the remote controller.
2. Press <+> or <-> to either increase or decrease the speed of the program.
3. Press <STROBE> again to turn off the strobe.

SPEED MODE

To adjust the speed of the automatic program and the sound active program.

1. Press <SPEED> on the remote controller.
2. Press <+> or <-> to either increase or decrease the speed of the program.



SENSITIVITY MODE

To adjust sound sensitivity for in Sound-Active mode

1. Press <SENSITIVITY> on the remote controller.
2. Press <+> or <-> to either increase or decrease sound sensitivity.

DMX / % MODE

To enable DMX or disallow DMX on the product.

Press <DMX> on the remote controller, the product work on the DMX controlling modes.

MANUAL MODE

1. Press <MANUAL> on the remote controller.
2. Press <R>, <G>, , <W>, <A> or <UV> (red, green, blue, white, amber or uv) to choose your colour.
3. Press again <R>, <G>, , <W>, <A> or <UV> (red, green, blue, white, amber or uv) to close your colour.
4. Press <+> or <-> to either increase or decrease the percentage of each colour.

FADE/UNIT MODE

To adjust the FADE speed of the automatic program, the sound active program and the manual mode.

1. Press <FADE> on the remote controller.
2. Press <FADE> again to turn off the Fade mode.

NUMBER 1~9

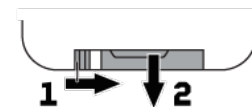
To adjust the brightness value of the automatic program, the Sound active program and Manual Mode.

Press digit <1> to <9> to change different brightness on the device.



The remote control is supplied with a battery inserted. An insulating foil between the battery and the battery contacts prevents the battery from being discharged during storage. Prior to the first operation remove the foil from the battery support on the rear side of the remote control. Otherwise operation of the remote control is not possible.

If the range of the remote control decreases, replace the battery. For this purpose, on the rear side of the remote control press the small bar with the groove to the right (1) and at the same time remove the battery support (2). For operation, one 3 V button cell type CR 2025 is required. When inserting, pay attention that the positive pole of



WIRELESS DMX CONTROL

The unit can be used with wireless DMX. The wireless receiver module, functions only as a receiver of a 2.4 GHz wireless signal. Switch DMX on wirelessly via the main menu (see menu structure, behind of the manual for more information).

Then establish a wireless connection with the Beamz BPP Wireless DMX Transmitter (154.077).



CAUTION! The BPP Wireless DMX Transmitter and unit must be connected on the same DMX Universe, you can check easily by the colour of LED indicator.

DMX UNIVERSE	COLOUR	DMX CHANNELS
1	Red	1 - 512
2	Green	1 - 512
3	Yellow	1 - 512
4	Blue	1 - 512
5	Magenta	1 - 512
6	Cyan	1 - 512
7	White	1 - 512



CLEANING

The buildup of dust, dirt and other airborne particles will reduce the unit's light output. It will also prevent the unit from cooling correctly, and this will reduce the unit's lifetime. The rate of dirt buildup will vary depending on environmental factors such as airborne dust, use of smoke machines, airflow from ventilation systems, etc. The unit's cooling fans will accelerate buildup, and any smoke particles that are present in the atmosphere will increase the tendency for dirt to clog.

To get the best performance and lifetime from the unit, inspect it regularly and clean it as soon as you see signs of dirt buildup.

Assess the operating environment each time you begin to use the unit. In dusty or smoky conditions, inspect the unit after a few hours and check it frequently the unit may attract dirt faster than you expect. Draw up a cleaning schedule that will make sure that dirt is removed before it can build up.

Use the following guidelines:

- Disconnect the unit from power and allow it to cool completely before cleaning.
- Do not use solvents, abrasives or any other aggressive product to clean the unit.
- Vacuum or use low-pressure compressed air to remove dust and loose particles from surfaces and air vents. Prevent the blades of cooling fans from turning before you aim a vacuum or air jet at the fan, or you may spin the fan too fast and damage it.
- Clean glass components by wiping gently with a soft, clean, lint-free cloth moistened with a weak detergent solution. Put the solution on the cloth and not on the surface to be cleaned. Avoid rubbing glass surfaces.
- Dry the unit with a soft, clean, lint-free cloth or low-pressure compressed air before reapplying power.

TROUBLE SHOOTING

The checklist below may help you troubleshoot in the unlikely event that a problem occurs while using the product:

SYMPTOM	POSSIBLE CAUSE	SUGGESTED ACTION
No response from unit.	No power to unit. Internal fault.	Check that power is turned on. Check cables and connections. Contact Beamz support or Beamz authorized service partner. Do not remove base or yoke covers. Do not attempt to replace a fuse or carry out any repairs or service that are not described in this User Manual unless you have both authorization from Beamz support or Beamz authorized service partner.
Unit resets correctly but does not respond (or does not respond correctly) to the controller.	The controller is not connected. Bad DMX-line. DMX-line has no end resistance. Incorrect unit addressing. A unit is defective and is disturbing data transmission on the DMX-line. Pin 2 and 3 are reversed in XLR connection.	Connect controller. Inspect connections and cables. Correct poor connections. Repair or replace damaged cables. Insert DMX terminator plug in DMX output socket of last unit on DMX-line. Check unit address and DMX mode settings. Unplug DMX IN and OUT connectors and connect them directly together to bypass one unit at a time until normal operation is regained. Have defective unit serviced by an authorized technician. Inspect connections and cables. Install a phase-reversing cable between the units or swap pin 2 and 3 in the unit, that behaves erratically.
Error after unit reset.	Effect requires mechanical adjustment.	Check unit's software version and error messages for more information. Contact Beamz support or Beamz authorized service partner.
Light output cuts out intermittently.	Unit too hot. LEDs damaged The power supply settings do not match local AC voltage and frequency.	Allow unit to cool. Reduce ambient temperature. Ensure free airflow around unit. Clean unit if necessary. Disconnect unit and contact Beamz support or Beamz authorized service partner. Disconnect unit. Check settings and correct if necessary.

VEILIGHEIDSINSTRUCTIES



WAARSCHUWING! Lees deze gebruiksaanwijzing zorgvuldig door voordat u met het apparaat gaat werken en bewaar deze handleiding voor toekomstig gebruik. Het bevat belangrijke informatie over de installatie, het gebruik en het onderhoud van het apparaat.

- Uitpakken en zorgvuldig controleren of er geen transportschade is voordat u het apparaat gebruikt.
- Lees deze instructies aandachtig door en volg de instructies op.
- Neem alle veiligheidswaarschuwingen in acht. Verwijder nooit veiligheidswaarschuwingen of andere informatie van het apparaat.
- Zorg ervoor dat er geen ventilatiesleuven geblokkeerd zijn, anders zal het apparaat oververhit raken.



WAARSCHUWING! Voordat u het apparaat verbind met een contactdoos, moet u eerst controleren of de netspanning en -frequentie overeenkomen met de op de apparatuur aangegeven waarden. Als het apparaat een spanningsselectieschakelaar heeft, sluit het apparaat alleen aan op het stopcontact als de waarden van het apparaat en de waarden van de netspanning overeenkomen. Als het bijgeleverde netsnoer of de voedingsadapter niet in uw stopcontact past, neem dan contact op met uw elektricien.

- Controleer na het aansluiten van het apparaat alle kabels om schade of ongevallen, bijv. door struikelgevaar, te voorkomen.
- Zorg ervoor dat het netsnoer nooit gekrompen of beschadigd raakt. Controleer het apparaat en het netsnoer van tijd tot tijd.
- Trek altijd de stekker uit het stopcontact wanneer het apparaat niet wordt gebruikt of voordat u het apparaat schoonmaakt! Pak het netsnoer alleen bij de stekker vast en trek nooit aan het netsnoer.
- Haal de stekker van het netsnoer en de voedingsadapter uit het stopcontact als er gevaar bestaat voor blikseminslag of voor langere perioden van buitengebruikstelling.
- Schakel het apparaat niet snel achter elkaar in en uit.
- Sluit het apparaat niet aan op een dimmerpack.
- Installeer het apparaat op een goed geventileerde plaats.
- Plaats nooit materiaal over de lens.
- Zorg altijd voor een vrije luchtruimte van minstens 50 cm rondom het apparaat voor ventilatie.
- Zorg ervoor dat de ruimte rondom en onder de montageplek wordt afgezet tijdens het (de)monteren of onderhoud van het apparaat.
- Voor gebruik bij montagehoogte >100 cm, bevestig het apparaat altijd met een geschikte veiligheidskabel. Bevestig de veiligheidskabel alleen op de juiste bevestigingspunten. De veiligheidskabel mag nooit aan de transporthandgrepen worden bevestigd!
- Kijk nooit direct naar de lichtbundel. Houd er rekening mee dat snelle veranderingen in de verlichting, bijv. knipperlicht, epileptische aanvallen kunnen veroorzaken bij lichtgevoelige personen of personen met epilepsie.
- Dit apparaat is niet ontworpen voor permanent gebruik. Consistente bedieningspauzes zullen ervoor zorgen dat het apparaat lang zonder defecten van dienst zal zijn.



WAARSCHUWING! Als het netsnoer van het apparaat is voorzien van een aardingscontact, moet het worden aangesloten op een stopcontact met een beschermende aarding. Deactiveer nooit de beschermende aarding van een netsnoer.

- Zorg ervoor dat het apparaat niet wordt blootgesteld aan extreme hitte, vocht of stof.
- Reinig het apparaat met een droge doek.
- Raak het apparaat tijdens de werking ervan niet met blote handen aan (de behuizing kan zeer heet worden). Laat het apparaat ten minste 5 minuten afkoelen alvorens deze te hanteren.
- Dit apparaat is uitsluitend ontworpen voor gebruik binnenshuis, gebruik deze apparatuur niet in de onmiddellijke nabijheid van vloeistof (niet van toepassing op speciale buitenapparatuur - in dit geval, neem de speciale instructies hieronder in acht). Stel dit apparaat niet bloot aan brandbare materialen, vloeistoffen of gassen.
- Als het apparaat is blootgesteld aan drastische temperatuurschommelingen (bijv. na transport), schakel het dan niet onmiddellijk in. Het ontstane condenswater kan uw apparaat beschadigen. Laat het apparaat uitgeschakeld tot het op kamertemperatuur is.
- Probeer nooit de thermostaatschakelaar of zekeringen te omzeilen.
- Demonteer of wijzig het apparaat niet.
- Gebruik voor vervanging alleen zekeringen/lampen van hetzelfde type en vermogen.
- Reparaties, onderhoud en elektrische aansluiting moeten worden uitgevoerd door een gekwalificeerde technicus.
- De omgevingstemperatuur moet altijd tussen -5°C en $+45^{\circ}\text{C}$ liggen.
- Als dit apparaat op een andere manier wordt gebruikt dan beschreven in deze handleiding, kan het product beschadigd raken en vervalt de garantie.
- Plastic zakken moeten buiten het bereik van kinderen worden gehouden.
- Het apparaat moet buiten het bereik van kinderen worden geïnstalleerd. Laat het apparaat nooit zonder toezicht draaien.



Dit symbool op het product of op de verpakking geeft aan dat dit product niet als huishoudelijk afval mag worden behandeld. In plaats daarvan moet het worden overhandigd aan het toepasselijke inzamelpunt voor de recycling van elektrische en elektronische apparatuur.

Door ervoor te zorgen dat dit product op de juiste wijze wordt afgevoerd, helpt u mogelijke negatieve gevolgen voor het milieu en de menselijke gezondheid te voorkomen, die anders zouden kunnen worden veroorzaakt door ongepaste afvalverwerking van dit product. Het recyclen van materialen draagt bij tot het behoud van natuurlijke hulpbronnen. Voor meer gedetailleerde informatie over het recyclen van dit product kunt u contact opnemen met uw plaatselijke gemeente, uw huisvuildienst of de winkel waar u het product hebt gekocht.

UITPAKKEN

LET OPI Onmiddellijk na ontvangst, zorgvuldig uitpakken van de doos, controleer de inhoud om ervoor te zorgen dat alle onderdelen aanwezig zijn en zijn in goede staat zijn ontvangen. Bij transportschade of ontbreken van onderdelen onmiddellijk de verkopende partij inlichten. Bewaar de verpakking en het verpakkingsmateriaal. Indien het product moet worden teruggestuurd, is het belangrijk dat het product in originele verpakking wordt geretourneerd.

Als het apparaat is blootgesteld aan drastische temperatuurverschillen (bv. na het transport), schakel het apparaat niet onmiddellijk in. De ontstane condensatie kan het apparaat beschadigen. Zorg ervoor dat het apparaat op kamertemperatuur komt en steek vervolgens de voeding stekker in het stopcontact.

AANSLUITSPANNING

Op achterzijde van het apparaat staat aangegeven op welke netspanning deze moet worden aangesloten. Controleer of de netspanning hiermee overeenkomt, bij alle andere netspanningen dan aangegeven kan het apparaat onherstelbaar worden beschadigd. Tevens moet het apparaat direct op de netspanning worden aangesloten en mag géén dimmer of regelbare voeding worden gebruikt.

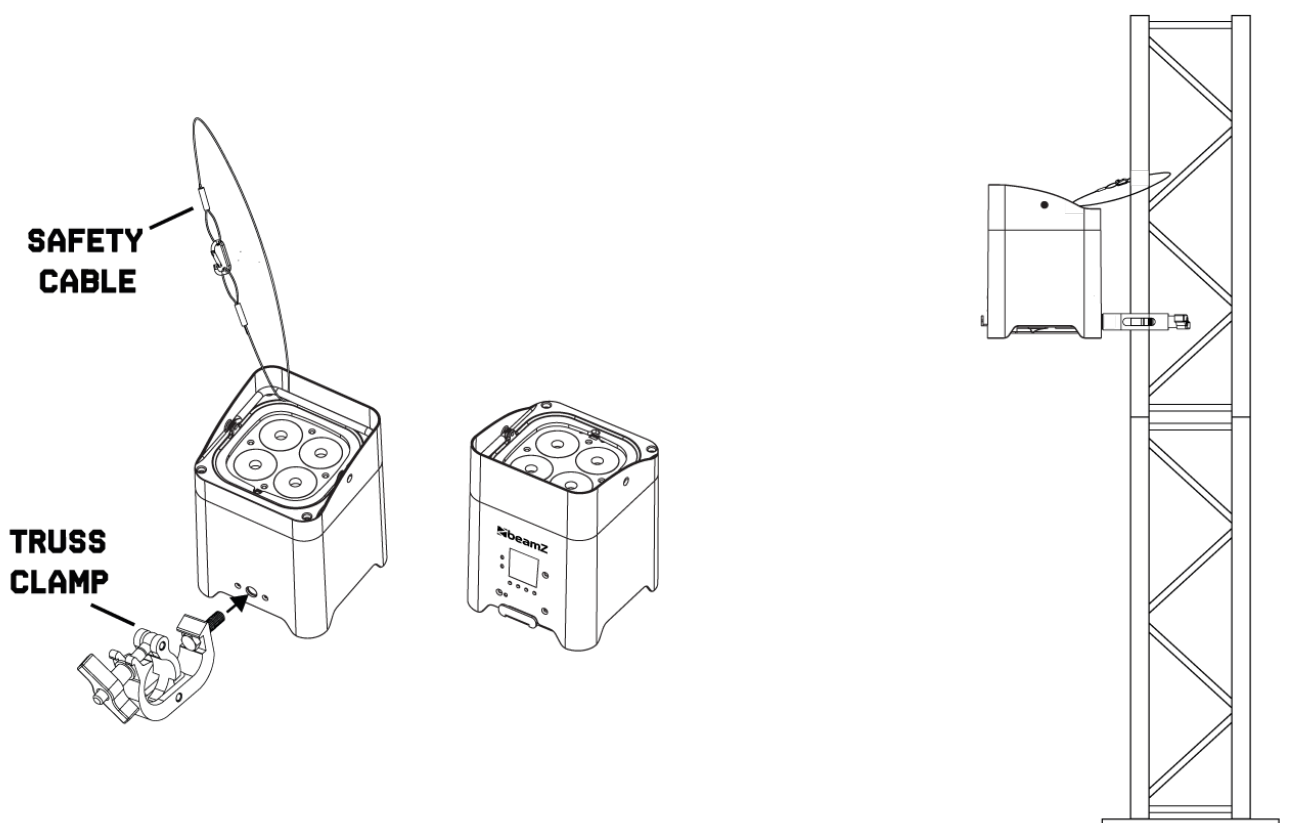


WAARSCHUWING! Sluit het apparaat altijd aan op een beschermd circuit (aardlekschakelaar of zekering). Zorg ervoor dat het apparaat voldoende elektrisch is geaard om het risico op elektrocutie of brand te vermijden.

RIGGING

Het apparaat kan op een stabiele en gelijkmatige ondergrond worden opgesteld. Door middel van de bevestigingsmogelijkheden van de grondplaat kan het apparaat ook ondersteboven aan een truss gemonteerd worden, zie onderstaande afbeelding. Voor de bevestiging zijn gecertificeerde klemmen met de juiste werklust vereist. Volgens de afbeelding, worden de quick-lock bouten van de omega beugels in de openingen in de bodemplaat geplaatst en rechtsom gedraaid tot ze vergrendelen (tot aan de aanslag). De montageplaats moet voldoende stabiel zijn en een gewicht van 10 keer het gewicht van het apparaat kunnen dragen. Borg het apparaat met een veiligheidskabel, zodat deze niet naar beneden kan vallen.

Volg bij het uitvoeren van een installatie altijd de Europese en nationale richtlijnen met betrekking tot rigging, truss en alle andere veiligheidskwesties. Laat de installatie altijd controleren door een geautoriseerde dealer!



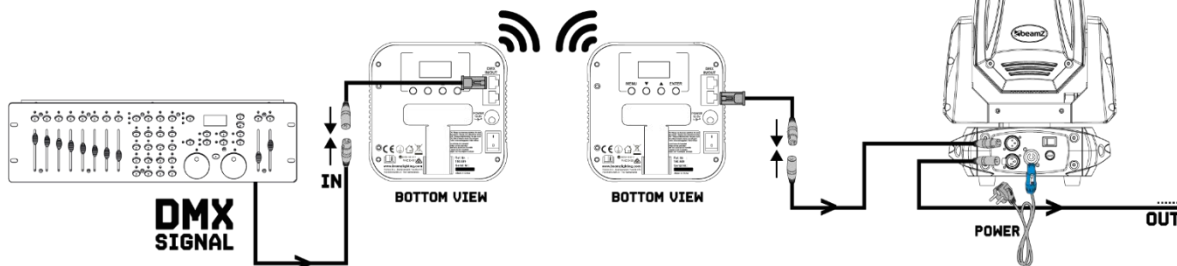
OPLADEN VAN DE BATTERIJ

Voordat u het apparaat voor de eerste keer wilt gebruiken zonder adapter, moet de oplaadbare batterij volledig zijn opgeladen..

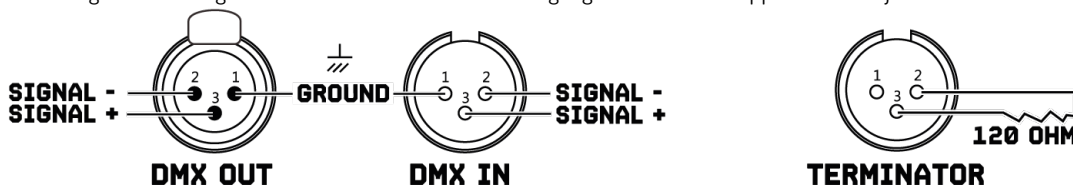
1. Schakel het apparaat in met de aan/ uit-schakelaar. De gebruiksduur van de batterij hangt af van de bedrijfsmodus en de omgevingstemperatuur. Schakel het apparaat uit na gebruik.
2. Om de batterij op te laden, sluit u het apparaat aan op een stopcontact via de meegeleverde adapter. Het apparaat kan tijdens de oplaadprocedure worden gebruikt.
3. Het toestel beschikt over een beveiligingsschakeling voor het opladen, waardoor overbelasting van de oplaadbare batterij wordt voorkomen. Haal het apparaat echter uit het stopcontact na het opladen. Anders is er een laag stroomverbruik, ook al is het apparaat uitgeschakeld.
4. Het toestel zal tijdens het opladen opwarmen; dit is normaal.
5. Om te voorkomen dat de batterij beschadigd raakt door het ontladen, als de batterij volledig ontladen is, laad deze dan zo snel mogelijk weer op. Bewaar het apparaat niet met de batterij volledig ontladen. Bij een langdurige opslag, laad het apparaat regelmatig bij.

DMX BEDIENING

Als u gebruik maakt van een standaard DMX-lichtstuurtafel, kunt u de DMX uitgang van de lichtstuurtafel rechtstreeks aansluiten op de DMX ingang van het eerste apparaat. Sluit altijd de DMX uitgang aan op de eerst volgende DMX ingang van het volgende apparaat totdat alle apparaten zijn aangesloten.



LET OP! Bij het laatste apparaat, dient u de DMX-lijn af te sluiten met een eindweerstand. Neem een XLR connector en soldeer een 120 Ohm weerstand tussen signaal (-) en signaal (+) en steek deze in de DMX uitgang van het laatste apparaat in de lijn.



AFSTANDBEDIENING

BLACK OUT MODE

Druk op <BLACK OUT> om licht-output uit te schakelen. Druk nogmaals op <BLACK OUT> om terug te gaan naar de laatste modus.

AUTO MODE

In de "AUTO" modus zullen de voorgeprogrammeerde lichtshows vertoond worden. Voor het inschakelen van de Auto-modus:

1. Druk op <AUTO> van de afstandsbediening.
2. Druk op <+> of <-> om te kiezen tussen de verschillende programma's.

SOUND MODE

In de "SOUND" modus zal het product reageren op de muziek. Voor het inschakelen van de Sound-modus:

1. Druk op <SOUND> van de afstandsbediening.
2. Druk op <+> of <-> om te kiezen tussen de verschillende programma's.

STROBE MODE

In de "STROBE" modus kunt u de stroboscoop snelheid voor de "AUTO" en "SOUND" mode aanpassen. Voor het inschakelen van de Strobe-modus:

1. Druk op <STROBE> van de afstandsbediening.
2. Druk op <+> of <-> om de snelheid te verhogen of te verminderen.
3. Druk nogmaals op <STROBE> om uit de stroboscoop uit te schakelen.

SPEED MODE

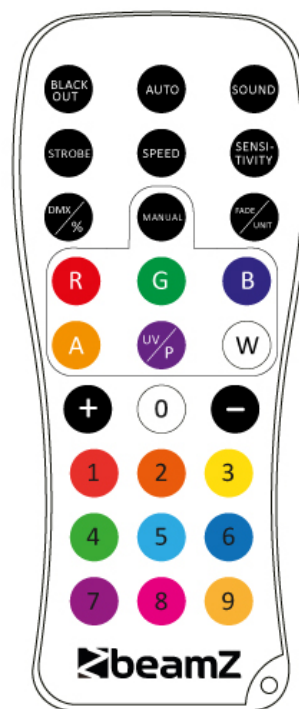
In de "SPEED" modus kunt u de snelheid van de "AUTO" en "SOUND" mode aanpassen.

- Voor het inschakelen van de Speed-modus:
1. Druk op <SPEED> van de afstandsbediening.
 2. Druk op <+> of <-> om de snelheid te verhogen of te verminderen.

SENSITIVITY MODE

In de "SENSITIVITY" modus kunt u de geluid gevoeligheid instellen van de "SOUND" mode. Voor het instellen van de Sensitivity-modus:

1. Druk <SENSITIVITY> van de afstandsbediening.
2. Druk op <+> of <-> om de geluid gevoeligheid te verhogen of te verlagen.



DMX / % MODE

In de "DMX" modus kunt u de bediening via DMX in- en uitschakelen.

1. Druk op <DMX> van de afstandsbediening om de functie in te schakelen.
2. Druk nogmaals op <DMX> om uit de functie uit te schakelen.

MANUAL MODE

In de "MANUAL" modus kunt u de kleuren handmatig bedienen.

1. Druk op <MANUAL> van de afstandsbediening.
2. Druk op <R>, <G>, , <A> of <UV> (rood, groen, blauw, amber of uv) om de gewenste kleur te kiezen.
3. Druk nogmaals op <R>, <G>, , <A> of <UV> (rood, groen, blauw, amber of uv) om kleur te sluiten.
4. Druk op <+> or <-> om de percentage van elke kleur te verhogen of te verlagen.

FADE / UNIT MODE

Om de FADE snelheid van het automatische programma, muziek gestuurd programma en de handmatige modus aan te passen.

1. Druk op <FADE> op de afstandsbediening.
2. Druk nogmaals op <FADE> om de Fade-modus uit te schakelen.

NUMMER 1~9

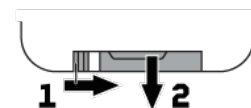
Om de helderheid van het automatische programma, muziek gestuurd programma en de handmatige modus aan te passen.

Druk cijfer <1> tot <9> om de helderheid van het apparaat te wijzigen.



De afstandsbediening is voorzien van een batterij. Een isolerende folie tussen de batterij en de batterij contacten voorkomt dat de batterij tijdens transport ontlad. Voorafgaand aan het eerste gebruik, verwijder de folie van de batterijhouder aan de achterzijde van de afstandsbediening. Anders wordt de werking van de afstandsbediening niet mogelijk.

Indien het bereik van de afstandsbediening afneemt, vervang dan de batterij. Aan de achterzijde van de afstandsbediening drukt de schuif met inkeping naar rechts (1) tegelijkertijd verwijdert de batterijhouder (2). Voor de werking, is een 3V knop cel type CR2025 nodig. Let op, bij de het vervangen van de batterij dat u de positieve pool van de knooppool omhoog plaatst.



DRAADLOOS DMX

Het apparaat is te gebruiken met draadloos DMX. De draadloze ontvangstmodule, functioneert alleen als ontvanger van een 2,4-GHz draadloos signaal. Schakel draadloos DMX in via het hoofdmenu (zie menu structuur, achterin handleiding voor meer informatie).

Maak vervolgens een draadloze verbinding met de Beamz BPP draadloze DMX-zender (154.077).



LET OP! De BPP draadloze DMX-zender en het apparaat moeten op hetzelfde DMX-universe zijn aangesloten, u kunt dit eenvoudig controleren aan de hand van de kleur van de LED-indicator.

DMX UNIVERSE	KLEUR	DMX KANALEN
1	Rood	1 - 512
2	Groen	1 - 512
3	Geel	1 - 512
4	Blauw	1 - 512
5	Magenta	1 - 512
6	Cyaan	1 - 512
7	Wit	1 - 512



REINIGEN

De opeenhoping van stof, vuil en andere zwevende deeltjes verminderen de lichtopbrengst van het apparaat. Het zal ook voorkomen dat het apparaat correct koelt, en dit zal de levensduur van het apparaat verkorten. De snelheid van de vuilafzetting zal variëren afhankelijk van omgevingsfactoren zoals stof in de lucht, gebruik van rookmachines, luchtstroom van ventilatiesystemen, enz. De koelventilatoren van het apparaat zullen de opbouw versnellen, en alle rookdeeltjes die in de atmosfeer aanwezig zijn, zullen de neiging tot verstopping van vuil vergroten.

Om de beste prestaties en levensduur van het apparaat te krijgen, inspecteer het apparaat regelmatig en maak deze schoon zodra u tekenen van vuilophoping ziet.

Beoordeel de gebruiksomgeving elke keer dat u het apparaat begint te gebruiken. In stoffige of rokerige omstandigheden, inspecteer het apparaat na enkele uren en controleer het regelmatig of het apparaat mogelijk sneller vuil aantrekt dan u verwacht. Stel een reinigingsschema op dat ervoor zorgt dat het vuil wordt verwijderd voordat het zich kan ophopen.

Gebruik de volgende richtlijnen:

- Ontkoppel het apparaat van het stroomnet en laat hem volledig afkoelen voordat u hem schoonmaakt.
- Gebruik geen oplosmiddelen, schuurmiddelen of andere agressieve producten om het apparaat te reinigen.
- Stofzuig of gebruik lage druk perslucht om stof en losse deeltjes van oppervlakken en luchtopeningen te verwijderen. Voorkom dat de bladen van de koelventilatoren draaien voordat u een vacuüm of luchtstraal op de ventilator richt, anders kunt u de ventilator te snel laten draaien en deze beschadigen.
- Reinig glazen onderdelen door ze voorzichtig af te vegen met een zachte, schone, pluisvrije doek, bevochtigd met een zwakke reinigingsoplossing. Leg de oplossing op de doek en niet op het te reinigen oppervlak. Vermijd het wrijven van glazen oppervlakken.
- Droog het apparaat met een zachte, schone, pluisvrije doek of perslucht onder lage druk voordat u het apparaat opnieuw van stroom voorziet.

PROBLEMEN OPLOSSEN

De onderstaande checklist kan u hulp bieden in het onwaarschijnlijke geval dat zich een probleem voordoet tijdens het gebruik van het product:

SYMPTOOM	MOGELIJKE OORZAAK	VOORGESTELDE ACTIE
Geen reactie van het apparaat.	Geen stroomvoorziening. Interne fout.	Controleer of de voeding is ingeschakeld. Controleer de kabels en aansluitingen. Neem contact op met de Beamz Support of de door Beamz geautoriseerde servicepartner. Demonteer geen onderdelen van de behuizing. Probeer geen zekering te vervangen of reparaties of onderhoud uit te voeren die niet in deze gebruikershandleiding worden beschreven, tenzij u hiervoor toestemming hebt van de Beamz Support of een door Beamz geautoriseerde servicepartner.
Het apparaat wordt correct gereset, maar reageert niet (of niet correct) op de lichtstuurtafel.	De lichtstuurtafel is niet aangesloten. Slechte DMX-lijn. DMX-lijn heeft geen eindweerstand. Onjuiste adressering van het apparaat. Een apparaat is defect en verstoort de gegevensoverdracht op de DMX-lijn. Pin 2 en 3 zijn omgekeerd in XLR-aansluiting.	Verbind de lichtstuurtafel. Controleer de aansluitingen en kabels. Corrigeer slechte verbindingen. Repareer of vervang beschadigde kabels. Steek de DMX terminatorstekker in de DMX-uitgang van de laatste apparaat op de DMX-lijn. Controleer het apparaatadres en de instellingen van de DMX-modus. Haal de DMX IN en OUT connectoren uit het apparaat en verbind ze direct met elkaar om één apparaat per keer te omzeilen totdat de normale werking is hersteld. Laat een defecte apparaat onderhouden door een geautoriseerde technicus. Controleer de aansluitingen en kabels. Installeer een fase verschuivende kabel tussen de armaturen of wissel pin 2 en 3 in het apparaat, die zich afwijkend gedraagt.
Fout na reset van het apparaat.	Effect vereist mechanische aanpassing.	Controleer de softwareversie en foutmeldingen van het apparaat voor meer informatie. Neem contact op met Beamz Support of Beamz geautoriseerde servicepartner.
Geen lichtopbrengst of licht valt met tussenpozen uit.	Apparaat te warm. LED's defect Instellingen van de voedingsspanning komen niet overeenkomen met de lokale wisselspanning en frequentie.	Laat het apparaat afkoelen. Verlaag de omgevingstemperatuur. Zorg voor een vrije luchtstroom rond het apparaat. Reinig het apparaat indien nodig. Ontkoppel het apparaat en neem contact op met de Beamz Support of met een door Beamz geautoriseerde servicepartner. Ontkoppel het apparaat. Controleer de instellingen en corrigeer mogelijke fouten

SICHERHEITSHINWEISE



WARNUNG! Lesen Sie diese Anleitung sorgfältig durch, bevor Sie das Gerät in Betrieb nehmen, und bewahren Sie sie zum späteren Gebrauch auf. Sie enthält wichtige Informationen über die Installation, den Gebrauch und die Wartung des Gerätes.

- Vor der Inbetriebnahme des Gerätes auspacken und sorgfältig auf Transportschäden prüfen.
- Lesen Sie diese Anleitung sorgfältig durch und befolgen Sie sie.
- Beachten Sie alle Sicherheitshinweise. Entfernen Sie niemals Sicherheitshinweise oder andere Informationen vom Gerät.
- Achten Sie darauf, dass keine Lüftungsschlitze blockiert sind, da das Gerät sonst überhitzt.



WARNUNG! Bevor Sie das Gerät an eine Steckdose anschließen, überprüfen Sie, ob die Netzspannung und -frequenz mit den auf dem Gerät angegebenen Werten übereinstimmen. Wenn das Gerät über einen Spannungswahlschalter verfügt, schließen Sie das Gerät nur dann an das Netz an, wenn die Gerätewerte und die Netzspannungswerte übereinstimmen. Wenn das mitgelieferte Netzkabel oder -adapter nicht in Ihre Steckdose passt, wenden Sie sich an Ihren Elektriker.

- Überprüfen Sie nach dem Anschluss des Gerätes alle Kabel, um Schäden oder Unfälle, z.B. durch Stolperfallen, zu vermeiden.
- Das Netzkabel darf niemals geschrunpft oder beschädigt werden. Überprüfen Sie das Gerät und das Netzkabel von Zeit zu Zeit.
- Ziehen Sie immer den Netzstecker, wenn Sie das Gerät nicht benutzen oder vor der Reinigung! Fassen Sie das Netzkabel nur am Stecker und ziehen Sie niemals am Netzkabel.
- Ziehen Sie das Netzkabel und das Netzteil aus der Steckdose, wenn die Gefahr von Blitzschlag oder längerer Inaktivität besteht.
- Schalten Sie die Maschine nicht in schneller Folge ein und aus.
- Schließen Sie das Gerät nicht an ein Dimmerpack an.
- Installieren Sie das Gerät an einem gut belüfteten Ort.
- Legen Sie niemals Material über die Linse.
- Achten Sie immer auf einen Freiraum von mindestens 50 cm um das Gerät, um eine Belüftung zu gewährleisten.
- Achten Sie darauf, dass der Raum um und unter dem Montageort während der (Aus-)Montage oder Wartung des Geräts verschlossen ist.
- Bei Verwendung mit einer Montagehöhe >100 cm ist die Leuchte immer mit einem geeigneten Sicherungsdraht zu befestigen. Befestigen Sie den Sicherungsdraht nur an den richtigen Befestigungspunkten. Der Sicherungsdraht darf niemals an den Transportgriffen befestigt werden!
- Niemals direkt in den Lichtstrahl schauen. Bitte beachten Sie, dass schnelle Veränderungen in der Beleuchtung, z.B. Blinklichter, bei lichtempfindlichen oder epileptischen Patienten epileptische Anfälle verursachen können.
- Dieses Gerät ist nicht für den Dauerbetrieb ausgelegt. Durch konsequente Betriebspausen wird sichergestellt, dass das Gerät lange Zeit störungsfrei arbeitet.



WARNUNG! Wenn das Netzkabel des Gerätes mit einer Erdungsklemme ausgestattet ist, schließen Sie es an eine Steckdose mit einer Schutzerdungsklemme an. Deaktivieren Sie niemals die Schutzerdung eines Netzkabels.

- Achten Sie darauf, dass das Gerät keiner extremen Hitze, Feuchtigkeit oder Staub ausgesetzt ist.
- Reinigen Sie das Gerät mit einem trockenen Tuch.
- Berühren Sie das Gerät während des Betriebs nicht mit bloßen Händen (das Gehäuse kann sehr heiß werden). Lassen Sie das Gerät vor der Handhabung mindestens 5 Minuten abkühlen.
- Dieses Gerät ist nur für den Innenbereich bestimmt, verwenden Sie es nicht in unmittelbarer Nähe von Flüssigkeiten (gilt nicht für spezielle Außengeräte - in diesem Fall befolgen Sie die folgenden besonderen Anweisungen). Setzen Sie dieses Gerät keinen brennbaren Stoffen, Flüssigkeiten oder Gasen aus.
- Wenn das Gerät starken Temperaturschwankungen ausgesetzt war (z.B. nach dem Transport), schalten Sie es nicht sofort ein. Die dabei entstehende Kondensation kann Ihr Gerät beschädigen. Lassen Sie das Gerät ausgeschaltet, bis es Raumtemperatur erreicht hat.
- Versuchen Sie niemals, den Thermostatschalter oder die Sicherungen zu umgehen.
- Demontieren oder modifizieren Sie das Gerät nicht.
- Verwenden Sie für den Austausch nur Sicherungen/Leuchten gleichen Typs und gleicher Leistung.
- Reparaturen, Wartungen und der elektrische Anschluss dürfen nur von einem qualifizierten Techniker durchgeführt werden.
- Die Umgebungstemperatur muss immer zwischen -5°C und $+45^{\circ}\text{C}$ liegen.
- Wenn dieses Gerät auf eine andere Weise als in dieser Anleitung beschrieben verwendet wird, kann das Produkt beschädigt werden und die Garantie erlischt.
- Plastiktüten sollten außerhalb der Reichweite von Kindern aufbewahrt werden.
- Das Gerät muss außerhalb der Reichweite von Kindern installiert werden. Betreiben Sie das Gerät niemals unbeaufsichtigt.



Dieses Symbol auf dem Produkt oder der Verpackung weist darauf hin, dass dieses Produkt nicht als normaler Haushaltsabfall behandelt werden darf. Es muss stattdessen an die entsprechende Sammelstelle für das Recycling von elektrischen und elektronischen Geräten abgegeben werden.

Indem Sie sicherstellen, dass dieses Gerät ordnungsgemäß entsorgt wird, tragen Sie dazu bei, mögliche negative Auswirkungen auf die Umwelt und die menschliche Gesundheit zu vermeiden, die sonst durch eine unsachgemäße Entsorgung dieses Produkts verursacht werden könnten. Recycling-Materialien tragen zur Schonung der natürlichen Ressourcen bei. Für weitere Informationen zur Wiederverwertung dieses Produkts wenden Sie sich bitte an Ihre Gemeinde, Ihren Hausmüllentsorger oder an den Laden, in dem Sie das Produkt gekauft haben.

Tronios BV Registrierungsnummer : DE51181017 (ElektroG) / 21003000 (BatterieG)

AUSPACKEN

ACHTUNG! Packen Sie den Karton sofort nach Erhalt sorgfältig aus, überprüfen Sie seinen Inhalt, um sicherzustellen, dass alle Teile vorhanden sind und in gutem Zustand erhalten wurden. Bei Transportschäden oder fehlenden Teilen ist der Verkäufer unverzüglich zu informieren. Lagern Sie die Verpackung und das Verpackungsmaterial. Wenn das Produkt zurückgegeben werden muss, ist es wichtig, dass das Produkt in der Originalverpackung zurückgegeben wird.

Wenn das Gerät drastischen Temperaturunterschieden ausgesetzt war (z.B. nach dem Transport), schalten Sie es nicht sofort ein. Die dabei entstehende Kondensation kann das Gerät beschädigen. Vergewissern Sie sich, dass das Gerät Raumtemperatur hat, und stecken Sie dann den Netzstecker in die Steckdose.

NETZANSCHLUSS

Auf der Rückseite von das Gerät wird angezeigt, an welche Netzspannung es angeschlossen werden muss. Prüfen Sie, ob die Netzspannung mit dieser übereinstimmt. Wenn die Netzspannung von der angegebenen abweicht, kann das Gerät irreparabel beschädigt werden. Das Gerät muss auch direkt an die Netzspannung angeschlossen werden. Es darf kein Dimmer oder eine einstellbare Stromversorgung verwendet werden.

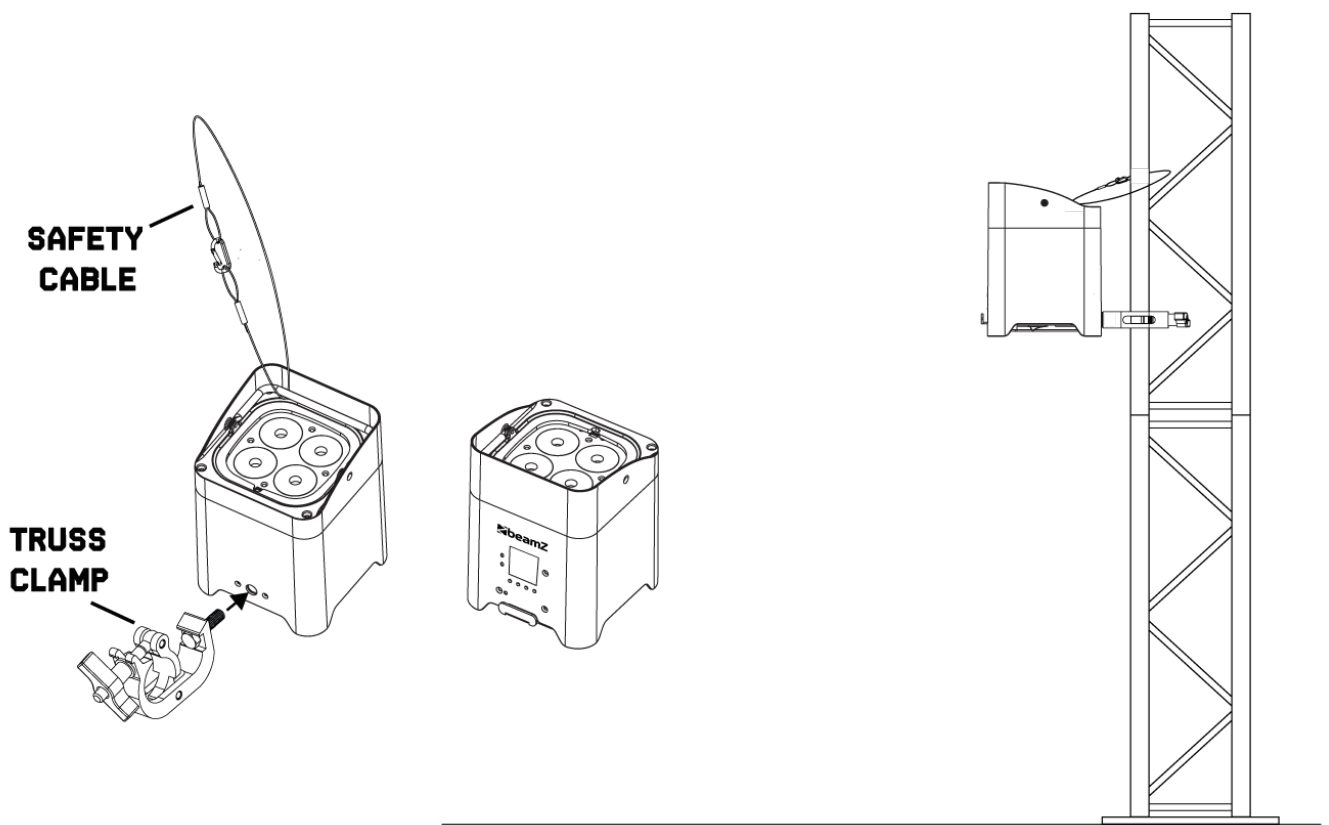


WARNUNG! Schließen Sie das Gerät immer an einen geschützten Stromkreis an (Fehlerstromschutzschalter oder Sicherung). Vergewissern Sie sich, dass das Gerät ausreichend elektrisch geerdet ist, um die Gefahr eines Stromschlags oder Brandes zu vermeiden.

RIGGING

Das Gerät kann auf einer stabilen und ebenen Fläche aufgestellt werden. Durch die Befestigungsmöglichkeiten der Grundplatte kann das Gerät auch kopfüber an einer Traverse montiert werden, siehe untenstehende Abbildung. Für die Befestigung sind zertifizierte Klemmen mit korrekter Tragfähigkeit erforderlich. Gemäß der Abbildung werden die Schnellverschlussriegel der Omega-Halterungen in die vorgesehenen Öffnungen der Grundplatte eingesetzt und im Uhrzeigersinn gedreht, bis sie einrasten (bis zum Anschlag). Der Montageort muss ausreichend stabil sein und ein Gewicht von dem 10-fachen des Gerätegewichts tragen können. Befestigen Sie das Gerät mit einem Sicherheitskabel so, dass es nicht herunterfallen kann.

Befolgen Sie bei der Durchführung einer Installation immer die europäischen und nationalen Richtlinien bezüglich Rigging, Traversen und allen anderen Sicherheitsaspekten. Lassen Sie die Installation immer von einem autorisierten Fachhändler prüfen!



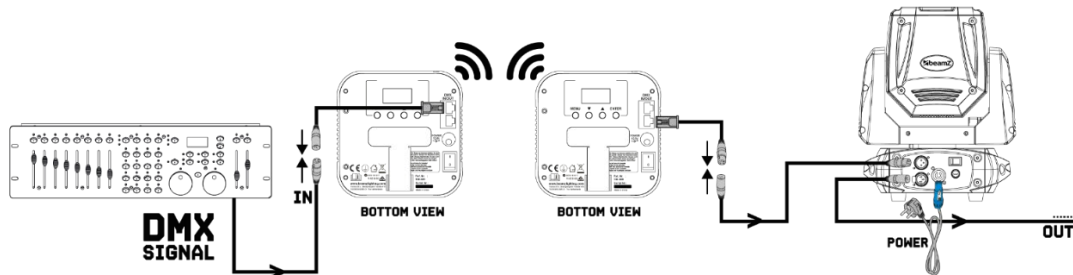
AKKUBETRIEB

Vor der ersten Inbetriebnahme des Gerätes vom Netz muss der Akku vollständig geladen sein.

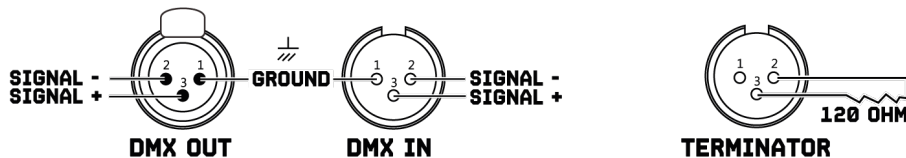
1. Schalten Sie das Gerät mit dem Netzschalter ein. Die Betriebsdauer der Akku ist abhängig von der Betriebsart und der Umgebungstemperatur. Schalten Sie das Gerät nach dem Betrieb aus.
2. Zum Aufladen des Akkus schließen Sie das Gerät über das mitgelieferte Netzteil an eine Steckdose an.
3. Das Gerät verfügt über eine Schutzschaltung zum Laden, die eine Überlastung des Akkus verhindert. Trennen Sie das Gerät jedoch nach dem Laden vom Netz. Andernfalls entsteht auch bei ausgeschaltetem Gerät eine geringe Stromaufnahme.
4. Das Gerät erwärmt sich während des Ladevorgangs; dies ist normal.
5. Um Schäden an der Batterie durch Tiefentladung zu vermeiden, laden Sie eine vollständig entladene Batterie so schnell wie möglich auf. Lagern Sie das Gerät nicht bei vollständig entladene Akku und laden Sie den Akku bei längerer Lagerung regelmäßig auf.

DMX BEDIENUNG

Wenn Sie einen Standard-DMX-Controller verwenden, können Sie den DMX-Ausgang des Controller direkt mit dem DMX-Eingang des ersten Geräts verbinden. Verbinden Sie den DMX-Ausgang immer mit dem nächsten DMX-Eingang des nächsten Geräts, bis alle Geräte angeschlossen sind.



ACHTUNG! Bei der letzten Gerät müssen Sie die DMX-Leitung mit einem Abschlusswiderstand schließen. Nehmen Sie einen XLR-Stecker und löten Sie einen 120-Ohm-Widerstand zwischen Signal (-) und Signal (+) und stecken Sie diesen in den DMX-Ausgang der letzten Gerät in der Leitung.



FERNBEDIENUNG

BLACK OUT

Drücken Sie <BLACK OUT>, schalten Sie Lichtleistung. Drücken Sie wieder <BLACK OUT>, um zurück zur vorherigen Modus.

AUTO MODE

Im Modus "Auto" die programmierten Lichtshows werden zu sehen sein. Um auf der Auto-Modus aktivieren:

1. Drücken Sie <AUTO> an der Fernbedienung.
2. Drücken Sie <+> oder <->, um zwischen den verschiedenen Programmen zu wählen.

SOUND MODE

Im Modus "SOUND", das Produkt reagiert auf die Musik. Um den Ton-Modus zu aktivieren:

1. Drücken Sie <SOUND> an der Fernbedienung.
2. Drücken Sie <+> oder <->, um zwischen den verschiedenen Programmen zu wählen.

STROBE MODE

In der "STROBE" Modus können Sie Geschwindigkeit einstellen für den "AUTO" Strobe und "SOUND" Modus. Zum Einschalten des Strobe-modus:

1. Drücken Sie <STROBE> an der Fernbedienung.
2. Drücken Sie <+> oder <-> zu erhöhen oder verringern Sie die Geschwindigkeit.
3. Drücken Sie <STROBE>, schalten Sie den Blitz.

SPEED MODE

Der "SPEED" Modus können Sie beschleunigen den "AUTO" und "SOUND" Modus einstellen. Zum Einschalten des Speed-modus:

1. Drücken Sie <SPEED> auf der Fernbedienung.
2. Drücken Sie <+> oder <-> zu erhöhen oder verringern Sie die Geschwindigkeit.

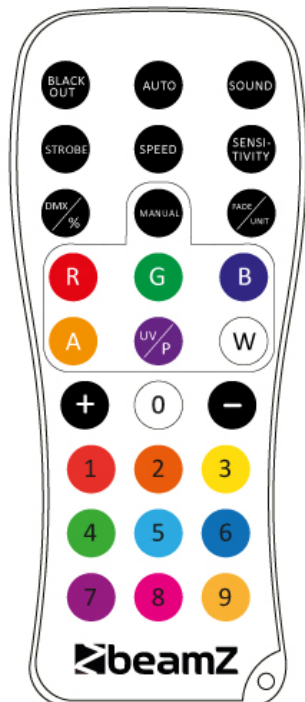
SENSITIVITY MODE

In der "SENSITIVITY" Modus können Sie den Ton Empfindlichkeit des "SOUND" mode. Zum Einschalten des Sensitivity-modus:

1. Drücken Sie <SENSITIVITY> an der Fernbedienung.
2. Drücken Sie <+> oder <->, um erhöhen oder verringern die Geräuschempfindlichkeit.

DMX / % MODE

Der Modus "DMX" können Sie von DMX Ein- und Ausschalten zu steuern.



1. Drücken Sie <DMX> auf der Fernbedienung, um die Funktion zu aktivieren.
2. Drücken Sie <DMX>, um die Funktion zu deaktivieren.

MANUAL MODE

In der Betriebsart "MANUAL", können Sie die Farbe manuell zu steuern.

1. Drücken Sie <MANUAL> auf der Fernbedienung.
2. Drücken Sie <R>, <G>, , <A> oder <UV> (rot, grün, blau, amber oder uv) um die gewünschte Farbe auszuwählen.
3. Drücken Sie wieder <R>, <G>, , <A> oder <UV> (rot, grün, blau, amber oder uv) um Farbe zu deaktivieren.
4. Drücken Sie <+> oder <-> um zur Erhöhung oder Verringerung des Anteils jeder Farbe.

FADE / UNIT MODE

Um die Fade-Geschwindigkeit des Automatikprogramm, das Musikprogramm, und schickte den Handbetrieb Modus einzustellen.

1. Drücken Sie <FADE> auf der Fernbedienung.
2. Drücken Sie <FADE> zu deaktivieren Sie die Fade-Modus.

NUMMER 1~9

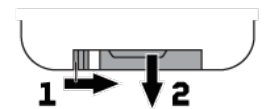
Zur Einstellung der Helligkeitwert des Automatikprogramm, das Musikprogramm und Handbetrieb.

Drücken Sie die Ziffern <1> bis <9> auf unterschiedliche Helligkeit auf dem Gerät zu ändern.



Fernbedienung wird mit eingesetzter Batterie geliefert. Damit die Batterie während der Lagerung nicht entladen werden kann, befindet sich eine Isolierfolie zwischen der Batterie und den Batteriekontakten. Ziehen Sie vor dem ersten Betrieb die Folie auf der Rückseite der Fernbedienung aus dem Batteriehalter heraus. Anderenfalls ist die Fernbedienung nicht funktionstüchtig.

Wenn die Reichweite der Fernbedienung abnimmt, ersetzen Sie die Batterie. Drücken Sie dazu auf der Rückseite der Fernbedienung den kleinen Riegel mit der Kerbe nach rechts drücken (1) und ziehen Sie gleichzeitig den Batteriehalter heraus (2). Für den Betrieb der Fernbedienung wird eine 3-V-Knopfzelle Typ CR 2025 benötigt. Achten Sie beim Einsetzen darauf, dass der Pluspol der Knopfzelle im Halter nach oben zeigt.



DRAHTLOSE DMX-STEUERUNG

Das Gerät kann mit drahtloser DMX verwendet werden. Das drahtlose Empfängermodul funktioniert nur als Empfänger eines 2,4 GHz-Funksignals. DMX über das Hauptmenü drahtlos einschalten (siehe Menüstruktur, hinter dem Handbuch für weitere Informationen).

Stellen Sie dann eine drahtlose Verbindung mit dem Beamz BPP Wireless DMX Transmitter (154.077) her.



ACHTUNG! Der BPP Wireless DMX Transmitter und das Gerät müssen an das gleiche DMX Universe angeschlossen sein, Sie können dies leicht an der Farbe der LED-Anzeige überprüfen.

DMX UNIVERSE	FARBE	DMX KANÄLE
1	Rot	1 ~ 512
2	Grün	1 ~ 512
3	Gelb	1 ~ 512
4	Blau	1 ~ 512
5	Magenta	1 ~ 512
6	Cyan	1 ~ 512
7	Weiß	1 ~ 512



REINIGUNG

Die Ansammlung von Staub, Schmutz und anderen Schwebstoffen reduziert die Lichtleistung der Leuchte. Es verhindert auch, dass das Gerät richtig abkühlt, was die Lebensdauer des Geräts verkürzt. Die Rate der Schmutzansammlung variiert je nach Umgebungsfaktoren wie luftgetragener Staub, Einsatz von Nebelmaschinen, Luftstrom aus Lüftungsanlagen usw. Die Rate der Schmutzansammlung variiert je nach Umgebung. Die Kühlgebläse des Gerät beschleunigen den Aufbau, und alle in der Atmosphäre vorhandenen Rauchpartikel erhöhen die Tendenz zur Verschmutzung.

Um die beste Leistung und Lebensdauer des Geräts zu erhalten, überprüfen und reinigen Sie das Gerät regelmäßig, sobald Sie Anzeichen von Schmutzansammlung feststellen.

Überprüfen Sie die Betriebsumgebung jedes Mal, wenn Sie das Gerät in Betrieb nehmen. Unter staubigen oder rauchigen Bedingungen sollte das Gerät nach einigen Stunden überprüft werden und regelmäßig überprüft werden, ob das Gerät schneller als erwartet Schmutz anziehen kann. Stellen Sie einen Reinigungsplan auf, der sicherstellt, dass Schmutz entfernt wird, bevor er sich ansammeln kann.

Verwenden Sie die folgenden Richtlinien:

- Trennen Sie das Gerät vom Stromnetz und lassen Sie es vor der Reinigung vollständig abkühlen.
- Verwenden Sie zur Reinigung des Geräts keine Lösungsmittel, Scheuermittel oder andere aggressive Produkte.
- Staubsaugen oder Niederdruck-Druckluft verwenden, um Staub und lose Partikel von Oberflächen und Lüftungsöffnungen zu entfernen. Vermeiden Sie es, die Lüfterblätter zu drehen, bevor Sie einen Vakuum- oder Luftstrom auf den Lüfter richten, da der Lüfter sonst zu schnell laufen und ihn beschädigen könnte.
- Reinigen Sie Glasteile, indem Sie sie vorsichtig mit einem weichen, sauberen, fusselfreien Tuch abwischen, das mit einer schwachen Reinigungslösung befeuchtet ist. Die Lösung auf das Tuch und nicht auf die zu reinigende Oberfläche geben. Vermeiden Sie es, Glasflächen zu reiben.
- Trocknen Sie das Gerät mit einem weichen, sauberen, fusselfreien Tuch oder Niederdruck-Druckluft, bevor Sie das Gerät wieder mit Strom versorgen.

FEHLERSUCHE

Die folgende Checkliste kann Ihnen im unwahrscheinlichen Fall helfen, dass während der Verwendung des Produkts ein Problem auftritt:

SYMPTOM	MÖGLICHE URSACHE	VORGESCHLAGENE AKTION
Das Gerät reagiert nicht.	Keine Stromversorgung. Interner Fehler.	Vergewissern Sie sich, dass das Gerät eingeschaltet ist. Überprüfen Sie die Kabel und Anschlüsse. Wenden Sie sich an den Beamz Support oder den autorisierten Beamz Servicepartner. Demontieren Sie keine Teile des Gehäuses. Versuchen Sie nicht, eine Sicherung auszutauschen oder Reparaturen oder Wartungsarbeiten durchzuführen, die nicht in dieser Bedienungsanleitung beschrieben sind, es sei denn, Sie haben die Erlaubnis von Beamz Support oder einem von Beamz autorisierten Servicepartner.
Das Gerät wird korrekt zurückgesetzt, reagiert jedoch nicht (oder nicht richtig) auf den Controller.	Der Controller ist nicht angeschlossen. Schlechte DMX-Leitung. Die DMX-Leitung hat keinen Abschlusswiderstand. Falsche Adressierung des Gerätes Ein Gerät ist defekt und stört die Datenübertragung auf der DMX-Leitung. Pin 2 und 3 sind in XLR-Verbindung vertauscht.	Verbinden Sie den Controller. Überprüfen Sie die Anschlüsse und Kabel. Korrigieren Sie schlechte Verbindungen. Reparieren oder ersetzen Sie beschädigte Kabel. Stecken Sie den DMX-Terminator-Stecker in den DMX-Ausgang des letzten Gerätes auf der DMX-Leitung. Überprüfen Sie die Einstellungen der Geräteadresse und des DMX-Modus. Entfernen Sie die DMX IN- und OUT-Stecker aus dem Gerät und verbinden Sie sie direkt miteinander, um jeweils ein Gerät zu umgehen, bis der normale Betrieb wiederhergestellt ist. Lassen Sie ein defektes Gerät von einem autorisierten Techniker warten. Überprüfen Sie die Anschlüsse und Kabel. Installieren Sie ein Phasenschieberkabel zwischen den Geräten oder tauschen Sie die Pins 2 und 3 in dem Gerät aus, das sich anders verhält.
Fehler nach dem Zurücksetzen des Geräts	Der Effekt erfordert eine mechanische Anpassung.	Überprüfen Sie die Softwareversion und die Fehlermeldungen des Gerätes für weitere Informationen. Wenden Sie sich an den Beamz Support oder an den autorisierten Beamz-Servicepartner.
Kein Lichtaustritt oder Licht ist intermittierend.	Gerät zu heiß LEDs defekt Die Stromversorgungseinstellungen passen nicht zur örtlichen Netzspannung und Frequenz.	Lassen Sie das Gerät abkühlen. Reduzieren Sie die Umgebungstemperatur. Achten Sie auf einen freien Luftstrom um das Gerät herum. Reinigen Sie das Gerät bei Bedarf. Trennen Sie das Gerät und kontaktieren Sie den Beamz Support oder einen von Beamz autorisierten Servicepartner. Trennen Sie das Gerät vom Stromnetz. Überprüfen Sie die Einstellungen und beheben Sie mögliche Fehler.

INSTRUCCIONES DE SEGURIDAD



PRECAUCIÓN! Antes de realizar cualquier operación con la unidad, lea atentamente este manual de instrucciones y guárdelo con cura para futuras consultas. Contiene información importante sobre la instalación, uso y mantenimiento de la unidad.

- Desembale y compruebe cuidadosamente que no haya daños de transporte antes de usar la unidad
- Lea atentamente estas instrucciones y siga las instrucciones.
- Observe todas las advertencias de seguridad. Nunca elimine las advertencias de seguridad u otra información del equipo.
- Asegúrese de que no haya ranuras de ventilación bloqueadas; de lo contrario la unidad se sobrecalentará.



PRECAUCIÓN! Antes de conectar el equipo a la toma de corriente, primero verifique que la tensión y la frecuencia de la red coincidan con los valores especificados en el equipo. Si el equipo tiene un interruptor de selección de voltaje, conecte el equipo a la toma de corriente solo si los valores del equipo y los valores de la red eléctrica coinciden. Si el cable de alimentación incluido o el adaptador de corriente no encaja en el tomacorriente de pared, comuníquese con su electricista.

- Después de conectar la unidad, verifique todos los cables para evitar daños o accidentes debido a peligros de tropiezos.
- Asegúrese de que el cable de alimentación nunca esté rizado o dañado. Compruebe el dispositivo y el cable de alimentación de vez en cuando.
- ¡Desconecte siempre la alimentación de la red eléctrica, cuando no se utilice el dispositivo o antes de limpiarlo! Sólo manipule el cable de alimentación por el enchufe. Nunca desenchufe el cable tirando del cable de alimentación.
- Desenchufe el cable de alimentación y el adaptador de alimentación de la toma de corriente si existe riesgo de que se caiga un rayo o antes de períodos prolongados de desuso.
- No encienda y apague la unidad en intervalos cortos.
- No conecte la unidad a un dimmerpack.
- Instale la unidad en un lugar bien ventilado.
- Nunca coloque ningún material sobre los leds o las lentes.
- Permita siempre un espacio libre de aire de al menos 50 cm alrededor de la unidad para la ventilación.
- Asegúrese de que el área que se encuentra debajo del lugar de instalación esté bloqueada al instalar, desmontar o reparar el accesorio.
- Para una altura de montaje superior a un metro, fije siempre el accesorio con una cuerda de seguridad adecuada. Fije la cuerda de seguridad únicamente en los puntos de fijación correctos. ¡La cuerda de seguridad no debe fijarse nunca en las asas de transporte!
- Nunca mire directamente al haz de luz. Tenga en cuenta que los cambios rápidos en la iluminación, y la luz intermitente, pueden desencadenar ataques epilépticos en personas fotosensibles o personas con epilepsia.
- Esta unidad no está diseñada para una operación permanente. Las interrupciones constantes de la operación garantizarán que el dispositivo le servirá durante mucho tiempo sin defectos.



PRECAUCIÓN! Si el cable de alimentación del dispositivo está equipado con un contacto de conexión a tierra, debe conectarse a una toma de corriente con una conexión a tierra de protección. Nunca desactive la conexión a tierra protectora de un cable de alimentación.

- Asegúrese de que la unidad no esté expuesta a calor extremo, humedad o polvo.
- Limpie la unidad con un paño seco.
- No toque el aparato con las manos descubiertas durante su funcionamiento (la carcasa se calienta mucho). Deje que el aparato se enfríe durante al menos 5 minutos antes de manipularlo.
- Esta unidad está diseñada exclusivamente para uso en interiores, no use este equipo en las inmediaciones del fluido (no se aplica a equipos especiales para exteriores, en este caso, siga las instrucciones especiales que se indican a continuación). No exponga esta unidad a materiales, líquidos o gases inflamables.
- Si la unidad ha estado expuesta a una fluctuación drástica de la temperatura (por ejemplo, después del transporte), no la encienda de inmediato. El agua de condensación que surge puede dañar su unidad. Deje la unidad apagada hasta que alcance la temperatura ambiente.
- Nunca intente pasar por alto el interruptor termostático o los fusibles.
- No desmonte ni modifique la unidad.
- Para reemplazo, use fusibles / bombilla del mismo tipo y clasificación solamente.
- Las reparaciones, el servicio y la conexión eléctrica deben ser llevados a cabo por un técnico calificado.
- La temperatura ambiente siempre debe estar entre -5°C y $+45^{\circ}\text{C}$.
- Si esta unidad se opera de una manera diferente a la descrita en este manual, el producto podría sufrir daños y la garantía quedará anulada.
- Las bolsas de plástico deben mantenerse fuera del alcance de los niños.
- La unidad debe instalarse fuera del alcance de los niños. Nunca deje la unidad funcionando sin supervisión..



Este símbolo en el producto o en su empaque indica que este producto no debe ser tratado como basura doméstica. En su lugar, se entregará al punto de recolección correspondiente para el reciclaje de equipos eléctricos y electrónicos.

Al garantizar que este producto se elimine correctamente, ayudará a evitar posibles consecuencias negativas para el medio ambiente y la salud humana, que de otro modo podrían ser causadas por el manejo inadecuado de los desechos de este producto. El reciclaje de materiales ayudará a conservar los recursos naturales. Para obtener información más detallada sobre el reciclaje de este producto, comuníquese con su Oficina Cívica local, el servicio de eliminación de desechos domésticos o la tienda donde adquirió el producto.

INSTRUCCIONES DE DESEMBALAJE

ATENCIÓN! Inmediatamente después de recibir el producto, desembale la caja con cuidado, verifique el contenido para asegurarse de que todas las partes estén presentes y se hayan recibido en buenas condiciones. Notifique al remitente de inmediato y guarde el material de empaque para inspeccionarlo si aparecen piezas dañadas por el envío o si el propio paquete muestra signos de mal manejo. Guarde el paquete y todos los materiales de embalaje. En el caso de que el producto deba devolverse a la fábrica, es importante que el producto se devuelva en la caja y empaque originales de fábrica.

Si el dispositivo ha estado expuesto a una drástica fluctuación de la temperatura (por ejemplo, después del transporte), no lo encienda de inmediato. El agua de condensación que surge podría dañar su dispositivo. Deje el dispositivo apagado hasta que alcance la temperatura ambiente.

FUENTE DE ALIMENTACIÓN

En la etiqueta que se encuentra en la parte posterior del producto, se indica que este tipo de fuente de alimentación debe estar conectada. Verifique que la tensión de la red corresponda a esto, todos los demás voltajes que los especificados, el efecto de la luz puede dañarse irreparablemente. El producto también debe estar conectado directamente a la red eléctrica y se puede utilizar.

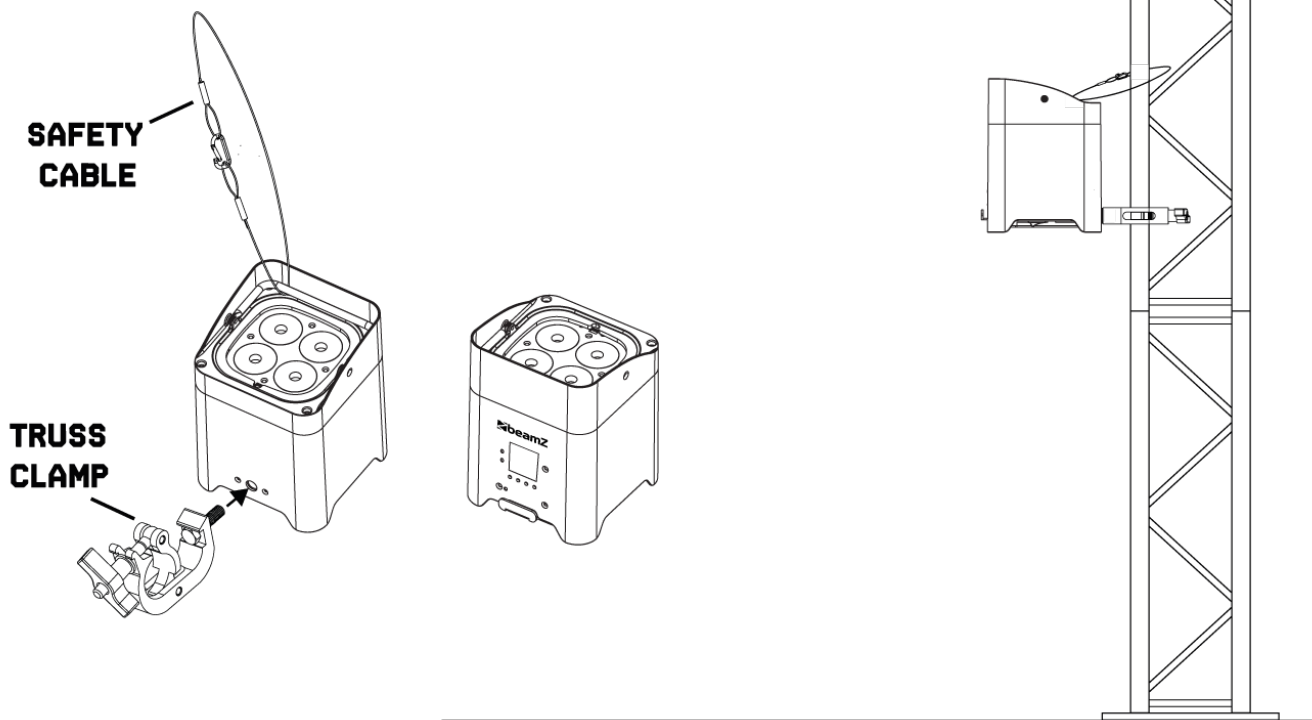


PRECAUCIÓN! Siempre conecte el dispositivo a un circuito protegido (disyuntor o fusible). Asegúrese de que el dispositivo tenga una toma de tierra eléctrica adecuada para evitar el riesgo de electrocución o incendio.

INSTALACIÓN

El accesorio se puede instalar en una superficie estable y uniforme. Por medio de las instalaciones de fijación de la placa de base, la unidad también se puede montar boca abajo a un truss, vea la imagen de abajo. Para la fijación, se requieren abrazaderas certificadas con la carga de trabajo correcta. Según la figura, los pernos de bloqueo rápido de los soportes omega se colocan en las aberturas provistas en la placa base y se giran en el sentido de las agujas del reloj hasta que se bloquean (hasta el tope). El lugar de montaje debe ser lo suficientemente estable y ser capaz de soportar un peso de 10 veces el peso de la unidad. Asegure el accesorio con un cable de seguridad para que no pueda caerse.

Al realizar cualquier instalación, siempre cumpla con las directrices europeas y nacionales relativas a aparejos, armazones y todos los demás problemas de seguridad. Deje siempre la instalación revisada por un distribuidor autorizado!



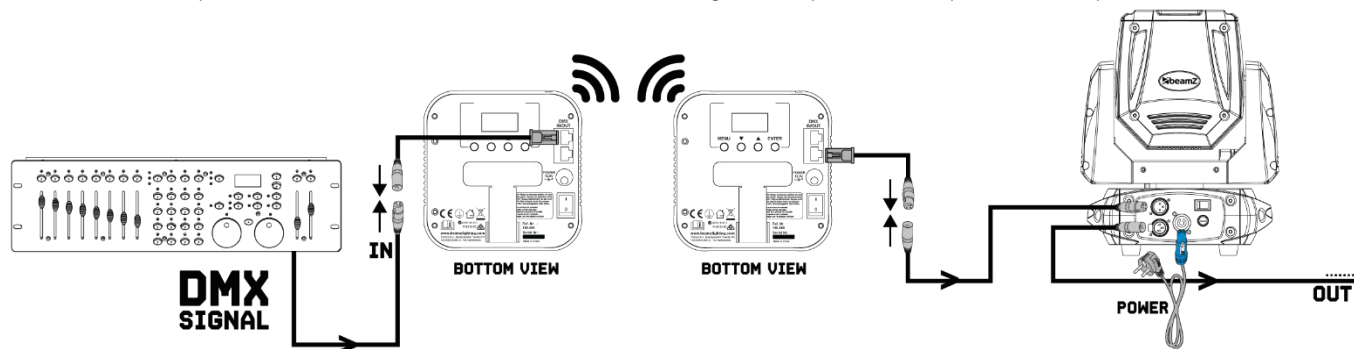
OPERATIVA CON BATERÍA RECARGABLE

Antes de trabajar con la unidad asegúrese de cargar completamente la batería.

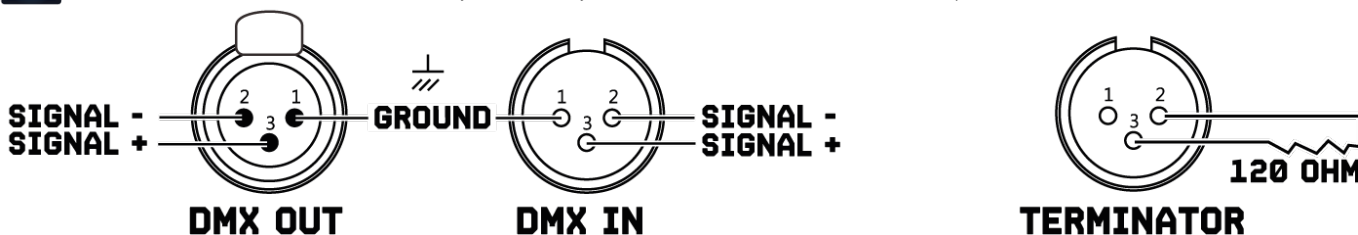
1. Encienda la unidad con el interruptor general. El tiempo de trabajo de la batería depende del modo de trabajo y la temperatura ambiente. Cuando finalice el trabajo asegúrese de desconectar el interruptor general.
2. Para cargar la batería, conecte la unidad a la toma de corriente general con el adaptador suministrado (12.6Vdc 2A). La unidad puede funcionar durante la carga.
3. El aparato incorpora un circuito protector de carga que previene la sobrecarga de batería. De todas formas es preferible desconectar de la toma de corriente al finalizar la carga. En caso contrario se generará un pequeño consumo de energía incluso con el equipo apagado.
4. El aparato se calienta durante la carga. Es normal.
5. Para evitar daños en la batería descargada es interesante cargar siempre después de su uso. No guarde la unidad con la batería completamente descargada y recargue de tiempo en tiempo si va a guardar la unidad durante un periodo prolongado.

CONTROL DMX512

Si está utilizando un controlador DMX estándar, puede conectar la salida DMX del controlador directamente a la entrada DMX del primer dispositivo en una cadena DMX. Siempre conecte la salida de una unidad con la entrada del siguiente dispositivo hasta que todos los dispositivos estén conectados.



ATENCIÓN! En el último aparato, debe cerrar la línea DMX con una resistencia de terminación. Tome un conector XLR y suelde una resistencia de 120 Ohm entre la señal (-) y la señal (+) y conéctela a la salida DMX del último dispositivo en la línea.



MANDO A DISTANCIA

MODO BLACK OUT

1. Pulsa <BLACK OUT> y apagas cualquier nodo activo. Pulsa <BLACK OUT> y vuelves al ultimo modo.

MODO AUTO

Modo automatico permite poner en marcha programas internos del producto.

Para iniciar modo Automatico:

1. Pulse <AUTO> en el mando.
2. Pulse <+> o <-> para elegir entre los distintos programas.

MODO SONIDO

Modo activado por sonido permite controlar al ritmo de la musica.

Para iniciar modo Sonido:

1. Pulse <SOUND> en el mando.
2. Pulse <+> o <-> para elegir entre los programas de SONIDO.

MODO STROBO

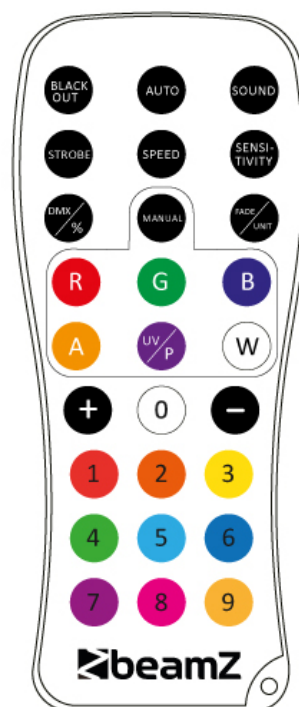
Para ajustar la velocidad de strobe en los programas Auto y Sonido.

1. Pulse <STROBE> en el mando.
2. Pulse <+> o <-> para incrementar o disminuir la velocidad del strobo.
3. Pulse <STROBE> de Nuevo para parar el strobo.

MODO VELOCIDAD

Para ajustar la velocidad de los programas Auto y Sonido.

1. Pulse <SPEED> en el mando.
2. Pulse <+> o <-> para incrementar o disminuir la velocidad del programa.



MODO SENSIBILIDAD

Para ajustar la sensibilidad en el modo de activación por sonido

1. Pulse <SENSITIVITY> en el mando.
2. Pulse <+> o <-> para incrementar o disminuir la sensibilidad del sonido.

MODO DMX / %

Para habilitar o desconectar DMX en el producto

Pulse <DMX> en el mando para controlar vía DMX.

MODO MANUAL

1. Pulse <MANUAL> en el mando.
2. Pulse <R>, <G>, , <A> o <UV> (rojo, verde, azul ámbar o uv) para elegir color.
3. Pulse de nuevo <R>, <G>, , <A> o <UV> (rojo, verde, azul ámbar o uv) para desactivar color.
4. Pulse <+> o <-> para aumentar o disminuir el porcentaje de cada color.

MODO FADE/UNIDAD

Para ajustar la velocidad FADE del programa automático, el programa activa el sonido y el modo manual.

1. Pulse <FADE> en el mando a distancia.
2. Pulse <FADE> de nuevo para desactivar el modo de fundido. El mando a distancia se suministra con batería.

NÚMERO 1~9

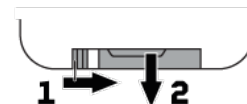
Para ajustar el valor de brillo del programa automático, el programa activo de sonido y modo manual.

Presione dígitos <1> a <9> para cambiar la luminosidad en el dispositivo.



Para prevenir la descarga durante el transporte, una hoja aislante está insertada entre la batería y los contactos. Antes de poner en marcha el aparato por primera vez, retire esta hoja aislante de la parte trasera del mando. En caso contrario el mando no funcionará.

Si el rango de actuación del mando disminuye, cambie la pila por una nueva. Para hacer esto, pulse la pequeña barra de la trasera del mando y desplace a la derecha y retire la pila de su soporte (2). El mando utiliza pilas 3 V de tipo botón.



CONTROL INALÁMBRICO DMX

La unidad se puede utilizar con DMX inalámbrico. El módulo receptor inalámbrico, funciona solo como receptor de la señal inalámbrica de 2.4 GHz.

Activa la función DMX inalámbrico vía menú principal (ver estructura de menú en este mismo manual para más información).

Establece una conexión inalámbrica con el transmisor Beamz BPP Wireless DMX (154.077).



ATENCIÓN! El transmisor BPP inalámbrico DMX y la unidad deben estar conectados en el mismo universo DMX, compruébelo por el color del indicador LED.

UNIVERSO DMX	COLOR	CANALES DMX
1	Rojo	1 - 512
2	Verde	1 - 512
3	Amarillo	1 - 512
4	Azul	1 - 512
5	Magenta	1 - 512
6	Cian	1 - 512
7	Blanco	1 - 512



LIMPIEZA

La acumulación de polvo, suciedad y otras partículas en el aire reducirá la salida de luz del accesorio. También evitará que el dispositivo se enfríe correctamente, y esto reducirá la vida útil del dispositivo. La tasa de acumulación de suciedad variará según los factores ambientales, como el polvo en el aire, el uso de máquinas de humo, el flujo de aire de los sistemas de ventilación, etc. Los ventiladores de enfriamiento del dispositivo acelerarán la acumulación, y cualquier partícula de humo que esté presente en la atmósfera aumentará la tendencia para que la suciedad se atasque.

Para obtener el mejor rendimiento y vida útil del accesorio, inspeccione regularmente y límpielo tan pronto como vea signos de acumulación de suciedad.

Evalúe el entorno operativo cada vez que comience a utilizar el dispositivo. En condiciones de mucho polvo o humo, inspeccione el dispositivo después de unas horas y verifique si el dispositivo atrae la suciedad más rápido de lo que usted espera. Elabore un programa de limpieza que asegure que se elimine la suciedad antes de que se acumule.

Utilice las siguientes pautas:

- Desconecte el artefacto del aparato y deje que se enfríe completamente antes de limpiarlo.
- No utilice disolventes, abrasivos ni ningún otro producto agresivo para limpiar el accesorio.
- aspire o utilice aire comprimido a baja presión para eliminar el polvo y las partículas sueltas de las superficies y las salidas de aire. Evite que las aspas de los ventiladores de enfriamiento giren antes de apuntar una aspiradora o chorro de aire hacia el ventilador, o puede girar el ventilador demasiado rápido y dañarlo.
- Limpie los componentes de vidrio con un paño suave, limpio y sin pelusa humedecido con una solución detergente suave. Ponga la solución en el paño y no en la superficie a limpiar. Evite frotar las superficies de vidrio.
- Seque el accesorio con un paño suave, limpio y sin pelusas o con aire comprimido a baja presión antes de volver a aplicar la energía.

SOLUCIÓN DE PROBLEMAS

La siguiente lista de verificación puede ayudarle a resolver problemas en el caso de que ocurra un fallo al utilizar el producto:

SÍNTOMA	POSIBLE CAUSA	ACCIÓN SUGERIDA
No hay respuesta del aparato.	No llega alimentación. Fallo interno.	Compruebe que la alimentación esté encendida. Comprobar cables y conexiones. Contacto con el servicio técnico de Beamz o con un servicio autorizado de Beamz. No quite las cubiertas de la base. No intente reemplazar un fusible ni realizar reparaciones o reparaciones que no se describen en este Manual del usuario, a menos que cuente con la autorización del servicio técnico de Beamz o de un servicio autorizado de Beamz.
El aparato se reinicia correctamente pero no responde (o no responde correctamente) al controlador.	El controlador no está conectado. Mala línea DMX. La línea DMX no tiene resistencia final. Direccionamiento incorrecto del aparato. Un aparato está defectuoso y está alterando la transmisión de datos en la línea DMX. Pin 2 y 3 están invertidos en la conexión XLR.	Conecte el controlador. Inspeccionar conexiones y cables. Corregir conexiones malas. Repare o reemplace los cables dañados. Inserte el conector del terminador DMX en el zócalo de salida de datos del último dispositivo en la línea DMX. Verifique la dirección del aparato y la configuración del modo DMX. Desenchufe los conectores DMX IN y OUT y conéctelos directamente para evitar un dispositivo a la vez hasta que se recupere el funcionamiento normal. Haga reparar el artefacto defectuoso por un técnico autorizado. Inspeccionar conexiones y cables. Instale un cable de inversión de fase entre los dispositivos o intercambie los pines 2 y 3 en el dispositivo, que se comporta de forma errática.
Error después del reinicio del aparato.	El efecto requiere ajuste mecánico.	Verifique la versión del software del aparato y los mensajes de error para obtener más información. Póngase en contacto con el servicio de asistencia de Beamz o con un servicio autorizado de Beamz.
La salida de luz se corta intermitentemente.	El aparato está muy caliente. LEDs dañados. La configuración de la fuente de alimentación no coincide con la tensión de CA local y frecuencia.	Permita que el accesorio se enfríe. Reducir la temperatura ambiente. Asegure el flujo de aire libre alrededor del accesorio. Limpie el accesorio si es necesario. Desconecte el accesorio y póngase en contacto con el servicio técnico de Beamz Desconecte el accesorio. Compruebe la configuración y corregir si es necesario.

INSTRUCTIONS DE SECURITE



AVERTISSEMENT! Avant d'effectuer toute manipulation sur l'appareil, lisez avec attention la présente notice et conservez-la pour pouvoir vous y reporter ultérieurement. Elle contient des informations importantes sur l'installation, l'utilisation et l'entretien de l'appareil.

- Déballez l'appareil, vérifiez soigneusement qu'il n'y a pas de dommages dus au transport avant de l'utiliser.
- Veuillez lire attentivement ces instructions et les suivre.
- Respectez tous les avertissements de sécurité. Ne retirez jamais les avertissements de sécurité ou autres informations figurant sur l'appareil.
- Assurez-vous qu'aucune ouïe d'aération n'est obstruée, sinon il y a risque de surchauffe de l'appareil.



AVERTISSEMENT! Avant de brancher l'appareil à une prise d'alimentation, assurez-vous tout d'abord que la tension et la fréquence du secteur correspondent aux valeurs spécifiées sur l'appareil. S'il est équipé d'un sélecteur de tension, ne branchez l'appareil à la prise de courant que si les valeurs de l'appareil et celles de l'alimentation secteur correspondent. Si le cordon d'alimentation ou l'adaptateur secteur fourni ne s'adapte pas à votre prise murale, contactez votre électricien.

- Après avoir branché l'appareil, vérifiez tous les câbles afin d'éviter tout dommage ou accident, par exemple pour ne pas trébucher.
- Assurez-vous que le cordon d'alimentation n'est jamais serti ou endommagé. Vérifiez régulièrement l'appareil et le cordon d'alimentation.
- Débranchez toujours le cordon d'alimentation du secteur lorsque l'appareil n'est pas utilisé ou avant de le nettoyer ! Ne manipulez le cordon d'alimentation que par la fiche. Ne débranchez jamais la fiche en tirant sur le cordon d'alimentation.
- Débranchez le cordon d'alimentation et l'adaptateur secteur de la prise de courant s'il y a un risque de foudre ou avant une longue période d'inutilisation.
- N'allumez et n'éteignez pas l'appareil à intervalles rapprochés.
- Ne connectez pas l'appareil à un gradateur.
- Installez l'appareil dans un endroit bien ventilé.
- Ne placez jamais de matériau sur l'objectif.
- Laissez toujours un espace libre de 50 cm au moins autour de l'appareil pour assurer une ventilation correcte.
- Veillez à ce que la zone située sous le lieu de montage soit toujours inaccessible au public lors de l'installation ou de l'entretien de l'appareil.
- Pour une hauteur de montage >100 cm, fixez toujours l'appareil avec une élingue de sécurité idoine. Fixez l'élingue uniquement aux points de fixation. L'élingue de sécurité ne doit jamais être fixée aux poignées de transport!
- Ne regardez jamais directement le faisceau lumineux. Gardez présent à l'esprit que des changements rapides de lumière, par exemple une lumière clignotante, peuvent déclencher des crises d'épilepsie chez les personnes photosensibles ou épileptiques.
- Cet appareil n'est pas conçu pour fonctionner en permanence. Des pauses d'utilisation régulières assureront un fonctionnement sans problème sur le long terme.



AVERTISSEMENT! Si le cordon d'alimentation de l'appareil est équipé d'un contact de mise à la terre, il doit être connecté à une prise de courant avec une terre de protection. Ne jamais désactiver la terre de protection d'un cordon d'alimentation.

- Assurez-vous que l'appareil n'est pas exposé à une chaleur extrême, à l'humidité ou à la poussière.
- Nettoyez l'appareil à l'aide d'un chiffon sec.
- Ne touchez pas le projecteur à mains nues pendant son fonctionnement (le boîtier devient très chaud). Laissez le projecteur refroidir pendant 5 minutes au moins avant de le manipuler.
- Cet appareil est conçu exclusivement pour une utilisation à l'intérieur, n'utilisez pas cet appareil à proximité immédiate d'un liquide (ne s'applique pas aux équipements extérieurs spéciaux - dans ce cas, respectez les instructions spéciales indiquées ci-dessous). N'exposez pas cet appareil à des matériaux, liquides ou gaz inflammables.
- Si l'appareil a été exposé à des variations de température importantes (par ex. après un transport), ne l'allumez pas immédiatement. La condensation pourrait endommager votre appareil. Laissez l'appareil éteint jusqu'à ce qu'il atteigne la température ambiante.
- N'essayez jamais de bridger l'interrupteur thermostatique ou les fusibles.
- Ne démontez pas ou ne modifiez pas l'appareil.
- Pour le remplacement, utilisez uniquement des fusibles/ampoules de même type et de même puissance.
- Les réparations, l'entretien et le raccordement électrique ne doivent être effectués que par un technicien qualifié.
- La température ambiante doit toujours être comprise entre -5°C et $+45^{\circ}\text{C}$.
- Si cet appareil est utilisé dans un but autre que celui décrit dans ce manuel, il peut subir des dommages, dans ce cas, la garantie est caduque.
- Les sacs en plastique doivent être gardés hors de portée des enfants.
- L'appareil doit être installé hors de portée des enfants. Ne laissez jamais l'appareil en marche sans surveillance.



Ce symbole sur le produit ou sur son emballage indique que ce produit ne doit pas être traité comme un déchet ménager. Il doit être déposé au point de collecte approprié pour le recyclage des équipements électriques et électroniques.

En vous assurant que ce produit est éliminé correctement, vous contribuerez à prévenir les conséquences négatives potentielles pour l'environnement et la santé humaine, qui pourraient autrement être causées par une manipulation inappropriée des déchets de ce produit. Le recyclage des matériaux contribuera à préserver les ressources naturelles. Pour de plus amples informations sur le recyclage de ce produit, veuillez contacter votre bureau municipal local, votre service d'élimination des déchets ménagers ou le magasin où vous avez acheté le produit.

INSTRUCTIONS DE DEBALLAGE

ATTENTION! Dès réception du produit, déballez soigneusement le carton, vérifiez son contenu pour vous assurer que toutes les pièces sont présentes et qu'elles ont été reçues en bon état. Avisez immédiatement l'expéditeur et conservez le matériel d'emballage ; contrôlez si des pièces semblent endommagées lors de l'expédition ou si le colis lui-même montre des signes de mauvaise manipulation. Conservez l'emballage et tout le matériel d'emballage. Dans le cas où le produit doit être retourné à l'usine, il est important que le produit soit retourné dans son emballage d'origine.

Si l'appareil a été exposé à des variations de température importantes (par ex. après un transport), ne l'allumez pas immédiatement. La condensation pourrait endommager votre appareil. Laissez l'appareil éteint jusqu'à ce qu'il atteigne la température ambiante.

ALIMENTATION

Le type d'alimentation auquel le produit doit être connecté est indiqué sur l'étiquette à l'arrière du produit. Vérifiez que la tension secteur corresponde à cette tension, toutes les autres tensions que celles spécifiées peuvent endommager l'appareil. Le produit doit également être branché directement sur le secteur et peut être utilisé. Pas de gradateur ni d'alimentation réglable.

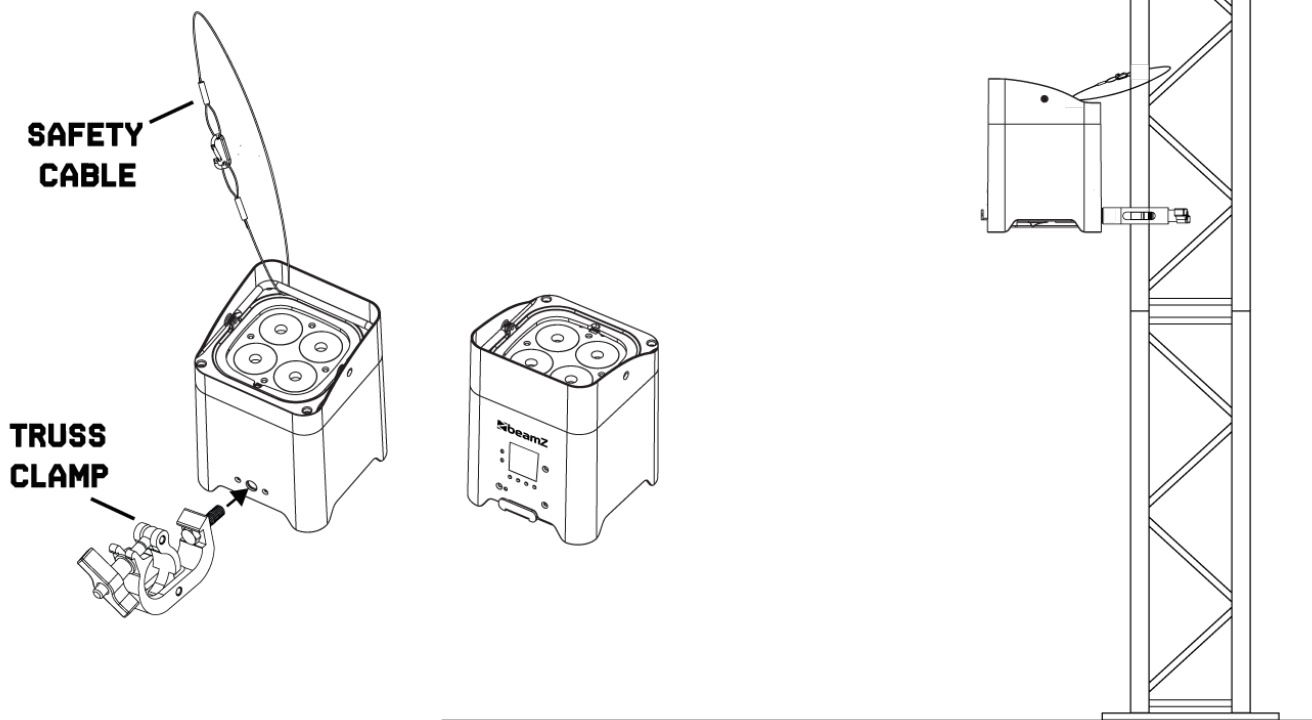


AVERTISSEMENT! Reliez toujours l'appareil à un circuit protégé (disjoncteur ou fusible). Assurez-vous que l'appareil dispose d'une mise à la terre électrique appropriée pour éviter tout risque d'électrocution ou d'incendie.

FIXATION

L'appareil peut être installé sur une surface stable et plane. Grâce aux possibilités de fixation de la plaque de base, l'appareil peut également être monté à l'envers sur une poutrelle, voir photo ci-dessous. Pour la fixation, il est nécessaire d'utiliser des colliers de serrage certifiés avec une capacité de charge correspondante. Comme indiqué sur le schéma, les boulons de verrouillage rapide des supports oméga sont placés dans les ouvertures prévues à cet effet dans la plaque de base et tournés dans le sens des aiguilles d'une montre jusqu'à leur blocage (jusqu'à la butée). L'emplacement de montage doit être suffisamment stable et pouvoir supporter un poids égal à 10 fois le poids de l'appareil. Fixez l'appareil à l'aide d'une élingue de sécurité afin qu'il ne puisse pas tomber.

Lors de toute installation, respectez toujours les directives européennes et nationales concernant l'accrochage des produits, les structures et toutes les autres questions de sécurité. Faites toujours vérifier l'installation par un revendeur agréé !



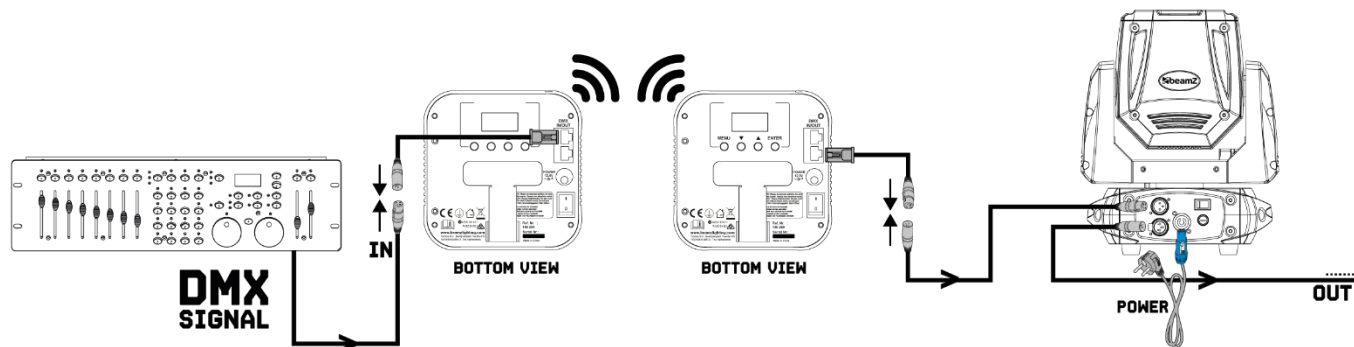
FONCTIONNEMENT SUR ACCUMULATEUR

Avant de faire fonctionner l'appareil pour la première fois, il faut charger l'accumulateur complètement.

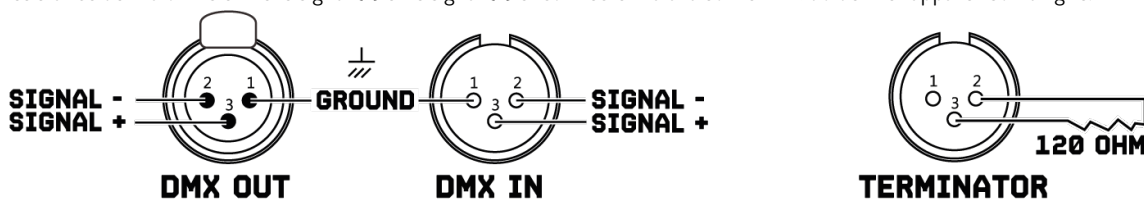
1. Allumez l'appareil avec l'interrupteur secteur. La durée de fonctionnement de l'accumulateur dépend du mode de fonctionnement et de la température ambiante. Après le fonctionnement, éteignez l'appareil.
2. Pour charger l'accumulateur, reliez l'appareil à une prise secteur via l'adaptateur livré (12,6 VDC / 2 A). L'appareil peut fonctionner pendant la charge.
3. L'appareil est doté d'un circuit de protection pendant la charge pour éviter une surcharge de l'accumulateur. Après la charge, il est impératif de débrancher l'appareil du secteur. Sinon, il y a une faible consommation.
4. L'appareil chauffe pendant la charge, c'est un phénomène normal.
5. Pour éviter d'endommager l'accumulateur par une charge trop importante, rechargez un accumulateur complètement déchargé le plus rapidement possible. Ne stockez pas l'appareil avec un accumulateur complètement déchargé et pensez à le charger régulièrement en cas de non utilisation prolongée.

GESTION DMX512

Si vous utilisez un contrôleur DMX standard, vous pouvez connecter la sortie DMX du contrôleur directement à l'entrée DMX du premier appareil dans une chaîne DMX. Connectez toujours la sortie d'un appareil à l'entrée de l'appareil suivant jusqu'à ce que tous les appareils soient connectés entre eux.



ATTENTION! sur le dernier appareil, vous devez terminer la ligne DMX avec une résistance. Prenez un connecteur XLR et soudez une résistance de 120 ohms entre le signal (-) et le signal (+) et connectez-la à la sortie DMX du dernier appareil sur la ligne.



TELECOMMANDE

MODE BLACK OUT

Appuyez sur <BLACK OUT> pour quitter les modes existants. Appuyez sur <BLACK OUT> pour revenir aux derniers modes.

MODE AUTO

Le mode automatique vous permet de faire défiler les programmes automatiques du produit.

Pour activer le mode automatique :

1. Appuyez sur <AUTO> sur la télécommande.
2. Appuyez sur <+> ou <-> pour choisir entre les différents programmes automatiques.

MODE SOUND

Le mode Sound Active (gestion par le son) permet de faire fonctionner l'appareil selon la musique.

Pour activer le mode Gestion par le son :

1. Appuyez sur <SOUND> sur la télécommande.
2. Appuyez sur <+> ou <-> pour choisir entre les différents programmes SOUND.

MODE STROBE

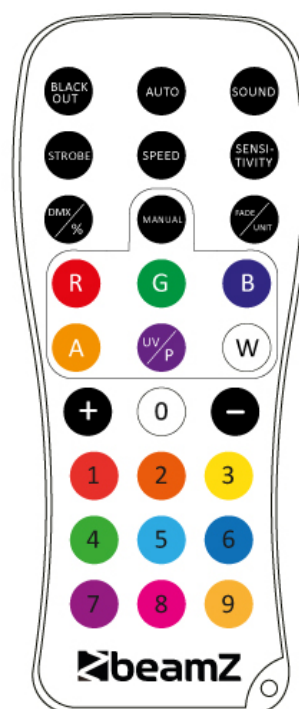
Pour régler la vitesse du strobe du programme automatique et du programme Sound Active.

1. Appuyez sur <STROBE> sur la télécommande.
2. Appuyez sur <+> ou <-> pour augmenter ou diminuer la vitesse du programme.
3. Appuyez sur <STROBE> à nouveau pour éteindre le strobe.

MODE SPEED

Pour régler la vitesse du programme automatique et du programme Sound Active.

1. Appuyez sur <SPEED> sur la télécommande.
2. Appuyez sur <+> ou <-> pour augmenter ou diminuer la vitesse du programme.



MODE SENSITIVITY

Pour régler la sensibilité en mode Sound Active

1. Appuyez sur <SENSITIVITY> sur la télécommande.
2. Appuyez sur <+> ou <-> pour augmenter ou diminuer la sensibilité audio.

MODE DMX / %

Pour activer le mode DMX ou le désactiver.

Appuyez sur <DMX> sur la télécommande, le produit fonctionne selon les modes de contrôle DMX.

MODE MANUAL

1. Appuyez sur <MANUAL> sur la télécommande.
2. Appuyez sur <R>, <G>, , <A> ou <UV> (rouge, vert, bleu, ambre ou uv) pour choisir votre couleur.
3. Appuyez à nouveau sur <R>, <G>, , <A> ou <UV> (rouge, vert, bleu, ambre ou uv) pour fermer votre couleur.
4. Appuyez sur <+> ou <-> pour augmenter ou diminuer le pourcentage de chaque couleur.

MODE FADE/UNIT

Pour régler la vitesse de FADE du programme automatique, le programme actif sonore et le mode manuel.

1. Appuyez sur <FADE> sur la télécommande.
2. Appuyez sur <FADE> pour désactiver le mode de fondu.

NUMÉRO 1~9

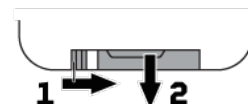
Pour régler la valeur de luminosité du programme automatique, le programme actif son et le mode manuel.

Appuyez chiffres <1> à <9> pour changer la luminosité différente sur l'appareil.



La télécommande est livrée avec une batterie. Une feuille de protection placée entre la batterie et les contacts évite que la batterie ne se décharge pendant le stockage. Avant la première utilisation, retirez la feuille de protection du support de batterie sur la face arrière de la télécommande. Sinon, la télécommande ne peut pas fonctionner.

Si la portée de la télécommande diminue, remplacez la batterie. Sur la face arrière de la télécommande, appuyez sur la petite languette avec la fente vers la droite (1) et simultanément, retirez le support de batterie (2). Une pile bouton 3 V, type CR2025 est nécessaire. Veillez à respecter la polarité, pôle plus de la pile bouton vers le haut.



GESTION DMX SANS FIL

L'appareil peut être utilisé en mode DMX sans fil. Le module de réception sans fil fonctionne uniquement comme récepteur de signal 2,4 GHz. Activez le mode DMX via le menu principal (voir structure du menu, au dos du manuel pour plus d'informations).

Etablissez maintenant une connexion sans fil avec l'émetteur DMX sans fil Beamz BPP (154.077).



ATTENTION! L'émetteur et l'unité DMX sans fil BPP doivent être connectés sur le même univers DMX, vous pouvez facilement vérifier par la couleur de l'indicateur LED.

UNIVERS DMX	COULEUR	CANAUX DMX
1	Rouge	1 - 512
2	Vert	1 - 512
3	Jaune	1 - 512
4	Bleu	1 - 512
5	Magenta	1 - 512
6	Cyan	1 - 512
7	Blanc	1 - 512



NETTOYAGE

L'accumulation de poussière, de saleté et d'autres particules en suspension dans l'air réduira le rendement lumineux de l'appareil. Cela empêchera également le projecteur de refroidir correctement, ce qui réduira sa durée de vie. Le taux d'accumulation de saleté varie en fonction de facteurs environnementaux tels que la poussière en suspension dans l'air, l'utilisation de machines à fumée, le débit d'air des systèmes de ventilation, etc. Les ventilateurs de refroidissement de l'appareil accélèrent l'accumulation et les particules de fumée présentes dans l'atmosphère augmentent la tendance à l'encrassement.

Pour obtenir le meilleur rendement et la meilleure durée de vie de l'appareil, inspectez-le régulièrement et nettoyez-le dès que vous voyez des signes d'accumulation de saleté.

Évaluez l'environnement de fonctionnement à chaque utilisation du projecteur. Dans des conditions poussiéreuses ou enfumées, inspectez le projecteur après quelques heures et vérifiez fréquemment s'il capte la saleté plus rapidement que vous ne le pensez. Établissez un calendrier de nettoyage qui permettra d'éliminer la saleté avant qu'elle ne s'accumule.

Suivez les directives suivantes :

- Débranchez le projecteur du secteur et laissez-le refroidir complètement avant de le nettoyer.
- N'utilisez pas de solvants, d'abrasifs ou tout autre produit agressif pour nettoyer l'appareil.
- Passez l'aspirateur ou utilisez de l'air comprimé à basse pression pour enlever la poussière et les particules libres des surfaces et des ouïes d'aération. Empêchez les pales des ventilateurs de tourner avant de diriger un aspirateur ou un jet d'air vers le ventilateur, sinon vous risquez de faire tourner le ventilateur trop rapidement et de l'endommager.
- Nettoyez les composants en verre en les essuyant doucement avec un chiffon doux, propre, non pelucheux et humidifié avec une solution détergente douce. Posez la solution sur le chiffon et non sur la surface à nettoyer. Évitez de frotter les surfaces vitrées.
- Séchez le projecteur avec un chiffon doux, propre et non pelucheux ou avec de l'air comprimé basse pression avant de le remettre sous tension.

RESOLUTION DE PROBLEMES

La liste ci-dessous peut vous aider en cas de problèmes lors de l'utilisation du produit.

SYMPTOME	CAUSE POSSIBLE	ACTION SUGGEREE
Pas de réponse de l'appareil.	L'appareil n'est pas alimenté. Problème interne.	Vérifiez que l'appareil est sous tension. Vérifiez les câbles et branchements. Contacter le support Beamz ou un partenaire de service agréé Beamz. N'enlevez pas les couvercles de la base. N'essayez pas de remplacer un fusible ou d'effectuer des réparations ou un entretien qui ne sont pas décrits dans ce manuel d'utilisation à moins d'avoir l'autorisation du support Beamz ou du service autorisé Beamz.
L'appareil se réinitialise correctement mais ne répond pas (ou ne répond pas correctement) au contrôleur.	Le contrôleur DMX n'est pas relié. Mauvaise ligne DMX. La ligne DMX n'a pas de résistance terminale. Mauvais adressage de l'appareil. Un appareil est défectueux et perturbe la transmission des données dans la ligne DMX. Les pins 2 et 3 sont inversés dans la connexion XLR.	Reliez le contrôleur. Vérifiez les branchements et les câbles. Réparez ou remplacez les câbles défectueux. Insérez un bouchon DMX dans la prise de sortie DMX sur le dernier appareil de la ligne DMX. Vérifiez l'adresse de l'appareil et les réglages DMX. Débranchez les connecteurs DMX IN et OUT et reliez-les directement ensemble pour bridger un appareil à la fois jusqu'à ce que le fonctionnement soit rétabli. Faites appel à un technicien qualifié pour réparer l'appareil. Vérifiez les câbles et branchements. Installez un câble inversion de phase entre les appareils ou remplacez les broches 2 et 3 dans l'appareil qui se comporte de manière erratique.
Erreur après réinitialisation.	L'effet nécessite un réglage mécanique.	Vérifiez la version du logiciel de l'appareil et les messages d'erreur pour plus d'informations. Contacter le service après-vente Beamz ou un partenaire de service agréé Beamz.
Le flux lumineux coupe de manière intermittente.	L'appareil est trop chaud. Les LEDs sont endommagées Les réglages de l'alimentation ne correspondent pas à la tension AC et à la fréquence locales.	Laisser refroidir l'appareil. Réduire la température ambiante. Veillez à ce que l'air circule librement autour de l'appareil. Nettoyer l'appareil si nécessaire. Débrancher l'appareil et contacter le service après-vente Beamz ou un partenaire agréé Beamz. Débranchez l'appareil. Vérifiez les réglages et corrigez si besoin.

INSTRUKCJA BEZPIECZENSTWA



OSTRZEZENIE! Przed przystąpieniem do jakichkolwiek czynności związanych z urządzeniem, należy uważnie przeczytać niniejszą instrukcję i zachować ją z lekarstwem na przyszłość. Zawiera ważne informacje dotyczące instalacji, użytkowania i konserwacji urządzenia.

- Rozpakuj i sprawdź dokładnie, czy nie ma żadnych uszkodzeń transportowych przed użyciem urządzenia
- Przeczytaj uważnie te instrukcje i postępuj zgodnie z instrukcjami.
- Przestrzegaj wszystkich ostrzeżeń dotyczących bezpieczeństwa.
- Upewnij się, że żadne otwory wentylacyjne nie są zablokowane; w przeciwnym razie urządzenie się przegrzeje.



OSTRZEZENIE! Przed podłączeniem urządzenia do gniazdka sieciowego należy najpierw sprawdzić, czy napięcie i częstotliwość sieci są zgodne z wartościami podanymi na urządzeniu. Jeśli urządzenie ma przełącznik wyboru napięcia, podłącz urządzenie do gniazdka sieciowego tylko wtedy, gdy wartości urządzeń i wartości sieciowe są zgodne. Jeśli dołączony przewód zasilający lub zasilacz nie pasują do gniazdka ściennego, skontaktuj się z elektrykiem.

- Po podłączeniu urządzenia sprawdź wszystkie kable, aby zapobiec uszkodzeniom lub wypadkom, na przykład z powodu potknięć.
- Upewnij się, że przewód zasilający nie jest zaciśnięty ani uszkodzony. Od czasu do czasu sprawdzaj urządzenie i przewód zasilający.
- Zawsze odłączaj zasilanie z sieci, gdy urządzenie nie jest używane lub przed czyszczeniem! Obsługuj przewód zasilający tylko za wtyczkę. Nigdy nie wyciągaj wtyczki, ciągnąc za przewód zasilający.
- Odłącz przewód zasilający i zasilacz od gniazdka, jeśli istnieje ryzyko uderzenia pioruna lub przed dłuższymi przerwami w pracy.
- Nie włączaj i wyłączaj urządzenia w krótkich odstępach czasu.
- Nie podłączaj urządzenia do dimmerpada.
- Zainstaluj urządzenie w dobrze wentylowanym miejscu.
- Nigdy nie kłaść żadnych materiałów na obiektywie.
- Zawsze należy zapewnić swobodną przestrzeń powietrzną o wysokości co najmniej 50 cm wokół urządzenia w celu wentylacji.
- Upewnij się, że obszar pod miejscem instalacji jest zablokowany podczas montażu, opróżniania lub serwisowania urządzenia.
- W przypadku wysokości montażu > 100 cm zawsze należy zamocować urządzenie odpowiednią liną zabezpieczającą. Przymocuj linę zabezpieczającą tylko w poprawnych punktach mocowania. Linka zabezpieczająca nie może być nigdy zamocowana na uchwytych transportowych!
- Nigdy nie patrz bezpośrednio na wiązkę światła. Zwróć uwagę, że szybkie zmiany w oświetleniu, np. szybko migające światło, może wywoływać napady padaczkowe u osób światłoczułych lub z padaczką.
- To urządzenie nie jest przeznaczone do ciągłej pracy. Spójne przerwy w działaniu zapewnią, że urządzenie będzie służyć przez długi czas bez wad.



OSTRZEZENIE! Jeśli przewód zasilający urządzenia jest wyposażony w styk uziemiający, należy go podłączyć do gniazda z uziemieniem ochronnym. Nigdy nie należy dezaktywować uziemienia ochronnego przewodu zasilającego.

- Upewnij się, że urządzenie nie jest narażone na działanie wysokich temperatur, wilgoci lub kurzu.
- Wyczyść urządzenie za pomocą suchej szmatki.
- Nie należy dotykać urządzenia gołymi rękoma podczas pracy (obudowa staje się bardzo gorąca). Odczekaj przynajmniej 5 minut, aż urządzenie ostygnie.
- To urządzenie jest przeznaczone wyłącznie do użytku w pomieszczeniach, nie należy używać tego sprzętu w bezpośrednim sąsiedztwie płynu (nie dotyczy specjalnych urządzeń zewnętrznych – w takim przypadku należy przestrzegać specjalnych instrukcji podanych poniżej). Nie należy wystawiać tego urządzenia na łatwopalne materiały, płyny lub gazy.
- Jeśli urządzenie zostało narażone na drastyczne wahania temperatury (np. Po transporcie), nie włączaj go natychmiast. Powstająca woda kondensacyjna może uszkodzić urządzenie. Pozostaw urządzenie wyłączone, aż osiągnie temperaturę pokojową.
- Nigdy nie próbuj ominąć przełącznika termostatycznego ani bezpieczników.
- Nie demontuj ani nie modyfikuj urządzenia.
- Do wymiany używać bezpieczników / żarówek tego samego typu i tylko tego samego typu.
- Naprawy, serwisowanie i podłączenie elektryczne muszą być wykonywane przez wykwalifikowanego technika.
- Temperatura otoczenia musi zawsze wynosić od -5°C do $+45^{\circ}\text{C}$.
- Jeśli urządzenie jest eksploatowane w inny sposób niż opisany w niniejszej instrukcji, produkt może ulec uszkodzeniu, a gwarancja traci ważność.
- Plastikowe torby muszą być przechowywane w miejscu niedostępnym dla dzieci.
- Urządzenie musi być zainstalowane w miejscu niedostępnym dla dzieci. Nigdy nie pozostawiaj urządzenia bez nadzoru.



Ten symbol umieszczony na produkcie lub jego opakowaniu oznacza, że produkt ten nie może być traktowany jako odpad komunalny. Zamiast tego należy przekazać go do odpowiedniego punktu zbiórki w celu recyklingu sprzętu elektrycznego i elektronicznego.

Zapewniając prawidłową utylizację tego produktu, pomagasz zapobiegać potencjalnym negatywnym konsekwencjom dla środowiska i zdrowia ludzkiego, które mogłyby zostać spowodowane przez niewłaściwe postępowanie z odpadami tego produktu. Recykling materiałów pomoże chronić zasoby naturalne. Aby uzyskać bardziej szczegółowe informacje na temat recyklingu tego produktu, należy skontaktować się z lokalnym biurem obywatelskim, służbami oczyszczania miasta lub sklepem, w którym produkt został zakupiony.

ROZPAKOWYWANIE INSTRUKCJI

UWAGA! Natychmiast po otrzymaniu produktu ostrożnie rozpakuj karton, sprawdź zawartość, aby upewnić się, że wszystkie części są obecne i zostały odebrane w dobrym stanie. Natychmiast powiadomić dostawcę i zachować materiał do pakowania w celu sprawdzenia, czy jakkolwiek część wygląda na uszkodzoną przez przesyłkę lub samo opakowanie wykazuje oznaki niewłaściwego postępowania. Zapisz pakiet i wszystkie materiały do pakowania. W przypadku, gdy produkt musi zostać zwrócony do fabryki, ważne jest, aby produkt został zwrócony w oryginalnym opakowaniu fabrycznym i opakowaniu.

Jeśli urządzenie zostało wystawione na drastyczne wahania temperatury (np. Po transporcie), nie włączaj go natychmiast. Powstająca woda kondensacyjna może uszkodzić twoje urządzenie. Pozostaw urządzenie wyłączone, aż osiągnie temperaturę pokojową.

ZASILACZ

Na etykiecie z tyłu produktu jest wskazany jakiego typu zasilacz musi być podłączony. Sprawdź, czy napięcie w sieci jest właściwe do użytego zasilacza. Każde inne napięcie niż podane, może sprawić nieodwracalne uszkodzenie oświetlenia. Produkt musi być również bezpośrednio podłączony do sieci zasilającej i wtedy dopiero może być używany. Brak ściemniacza lub regulowany zasilacz.

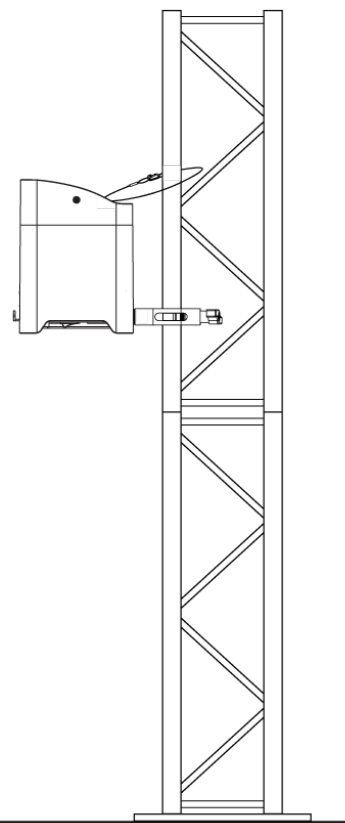
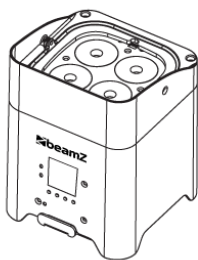
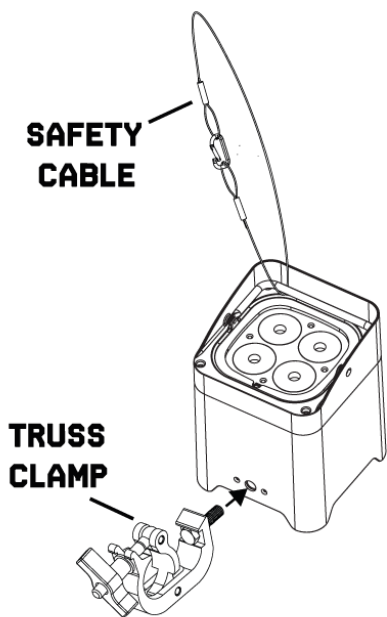


OSTRZEŻENIE! Zawsze podłączaj urządzenie do zabezpieczonego obwodu (wyłącznik lub bezpiecznik). Upewnij się, że urządzenie ma odpowiednie uziemienie elektryczne, aby uniknąć ryzyka porażenia prądem lub pożaru.

MOCOWANIE

Oprawa powinna być ustawiona na stabilnej i równej powierzchni. Za pomocą elementów mocujących płyty podstawowej, urządzenie można również zamontować do góry nogami do kratownicy, patrz poniższy rysunek. Do zamocowania wymagane są certyfikowane zaciski o prawidłowym obciążeniu roboczym. Zgodnie z rysunkiem, śruby szybkiego blokowania wsporników omega są umieszczane w otworach przewidzianych w płycie podstawy i obracane zgodnie z ruchem wskazówek zegara aż do zablokowania (do zatrzymania). Miejsce montażu musi mieć wystarczającą stabilność i być w stanie utrzymać ciężar 10-krotności wagi urządzenia. Zabezpiecz urządzenie za pomocą linki zabezpieczającej, aby nie spadło.

Podczas wykonywania jakiegokolwiek instalacji należy zawsze przestrzegać europejskich i krajowych wytycznych dotyczących olinowania, wiązarów i wszystkich innych kwestii związanych z bezpieczeństwem. Zawsze pozwól, aby instalacja została sprawdzona przez autoryzowanego dealera!



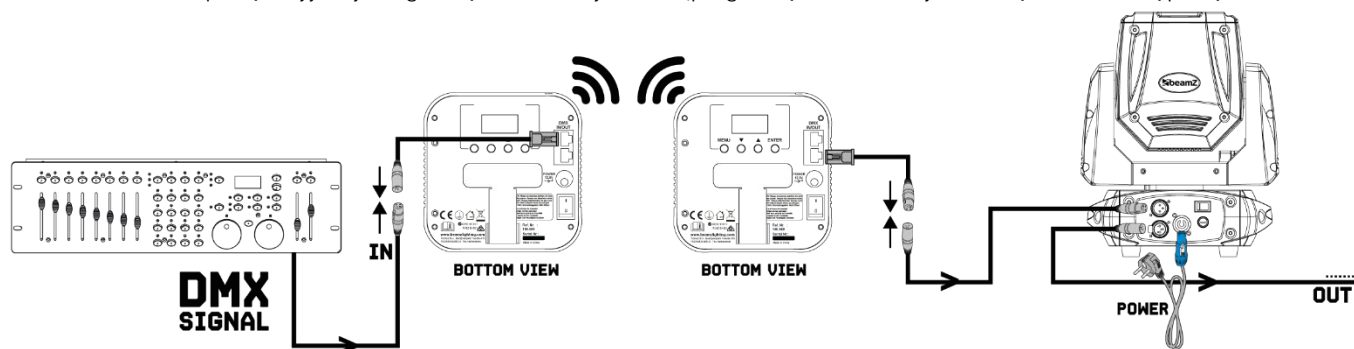
UŻYTKOWANIE AKUMULATORA

Przed użytkowaniem bez zewnętrznego zasilania po raz pierwszy, upewnij się, że wbudowany akumulator jest w pełni naładowany.

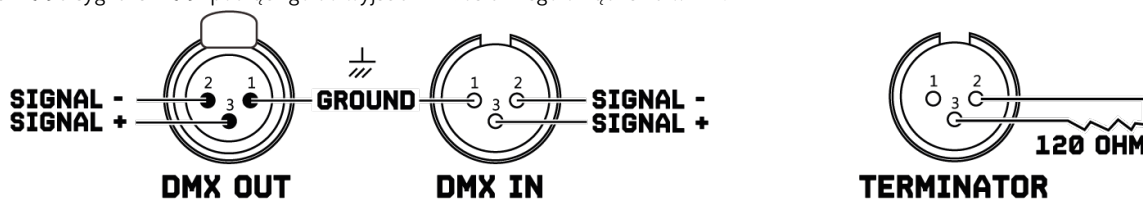
1. Uruchom urządzenie za pomocą przełącznika. Czas pracy baterii zależy od trybu pracy oraz temperatury otoczenia. Po zakończeniu użytkowania sprzętu, wyłącz go.
2. Aby naładować akumulator, podłącz urządzenie do gniazdka za pomocą dołączonego zasilacza. Urządzenie może być użytkowane podczas ładowania.
3. Urządzenie posiada zabezpieczenie chroniące przed przeładowaniem akumulatora. Aczkolwiek, niezwłocznie po pełnym naładowaniu, odłącz go od gniazdka. W innym przypadku urządzenie będzie pobierać trochę prądu, nawet jeśli będzie wyłączone.
4. Sprzęt nagrzewa się podczas ładowania, to normalne.
5. Aby zapobiec uszkodzeniu baterii przez długie rozładowanie do zera, naładuj rozładowaną baterię tak szybko, jak to możliwe. Nie przechowuj urządzenia z kompletnie rozładowanym akumulatorem, oraz regularnie przeprowadzaj cykl – naładowanie – rozładowanie – w przypadku dłuższego przechowywania.

KONTROLA DMX512

Jeśli używasz standardowego kontrolera DMX, możesz podłączyć wyjście DMX kontrolera bezpośrednio do wejścia DMX pierwszego urządzenia w łańcuchu DMX. Zawsze podłącz wyjście jednego urządzenia do wejścia następnego urządzenia, aż wszystkie urządzenia zostaną podłączone.



UWAGA! Na ostatnim urządzeniu musisz mieć linię DMX z rezystorem końcowym. Weź złącze XLR i przyłutuj rezystor 120 Ohm między sygnałem (-) a sygnałem (+) i podłącz go do wyjścia DMX ostatniego urządzenia w linii.



PILOT ZDALNEGO STEROWANIA

BLACK OUT MODE

Naciśnij <BLACK OUT> aby opuścić aktualny tryb. Naciśnij ponownie <BLACK OUT> by powrócić do poprzedniego trybu.

AUTO MODE

Za pomocą tego przycisku możesz skorzystać z wbudowanych programów automatycznych.

Aby włączyć tryb automatyczny:

1. Naciśnij na pilocie przycisk <AUTO>.
2. Naciskaj <+> lub <->, aby wybierać spośród gotowych programów.

SOUND MODE

Za pomocą tego przycisku możesz skorzystać z wbudowanych programów dźwiękowych reagujących na muzykę.

Aby włączyć tryb dźwiękowy:

1. Naciśnij na pilocie przycisk <SOUND>.
2. Naciskaj <+> lub <->, aby wybierać spośród gotowych programów dźwiękowych.

STROBE MODE

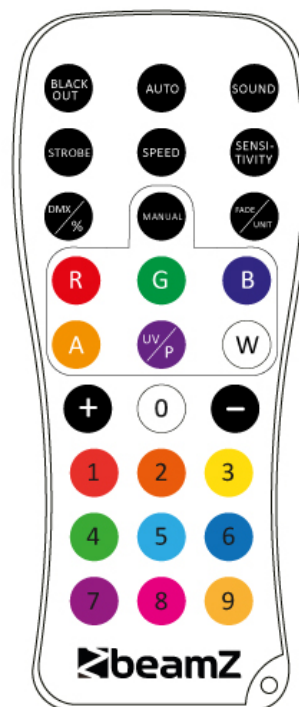
Za pomocą tego przycisku możesz skorzystać z funkcji stroboskopu.

1. Naciśnij na pilocie przycisk <STROBE>.
2. Naciskaj <+> lub <-> aby zwiększyć bądź zmniejszyć częstotliwość błysku.
3. Naciśnij ponownie <STROBE>, aby opuścić tryb stroboskopu.

SPEED MODE

Ta funkcja pozwala na ustawienie prędkości programów automatycznych, bądź dźwiękowych.

1. Naciśnij na pilocie przycisk <SPEED>.
2. Naciskaj <+> lub <-> aby zwiększyć bądź prędkość programu.



SENSITIVITY MODE

Aby wyregulować czułość mikrofonu w trybie dźwiękowym:

1. Naciśnij na pilocie <SENSITIVITY>.
2. Naciśnij <+> lub <-> aby zwiększyć, bądź zmniejszyć czułość mikrofonu.

DMX MODE

Ta funkcja pozwala na włączenie, bądź wyłączenie trybu DMX.

1. Naciśnij na pilocie przycisk <DMX>, a urządzenie zacznie działać w trybie DMX.
2. Naciśnij ponownie <DMX>, aby wyłączyć tryb DMX.

TRYB MANUALNY

Aby manualnie regulować natężenie świecenia diod LED:

1. Naciśnij na pilocie przycisk <MANUAL>.
2. Naciśnij <R>, <G>, , <W>, <A> lub <UV> (czerwony, zielony, niebieski, biały, bursztyn lub ultrafioletowy), aby wybrać kolor.
3. Naciskaj <+> lub <->, aby zwiększyć lub zmniejszyć natężenie.

TRYB WYGASZANIA

Za pomocą tej funkcji możesz ustawić wygaszanie programu automatycznego, dźwiękowego lub trybu manualnego.

1. Naciśnij na pilocie przycisk <FADE>.
2. Naciśnij ponownie przycisk <FADE>, aby wyłączyć wygaszanie.

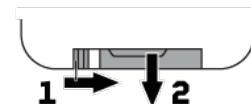
NUMERY 1-9

Za pomocą klawiszy numerycznych możesz wyregulować jasność programów automatycznych, dźwiękowych lub trybu manualnego. Naciśnij na pilocie cyfry <1> do <9>, aby zmienić jasność świecenia.



Pilot zdalnego sterowania jest dostarczany wraz z baterią. Aby uniknąć rozładowywania baterii podczas magazynowania sprzętu, pomiędzy baterią a stykami pilota znajduje się folia. Przed pierwszym użyciem należy wyciągnąć folię znajdującą się na dole pilota.

Jeśli zasięg działania pilota spada, wymień baterię. W tym celu, z tyłu urządzenia, przesun w prawo małą plastik (1) oraz w tym czasie wyciągnij tackę baterii (2). Do używania pilota wymagana jest jedna bateria CR 2025 3V. Podczas wkładania baterii <+> powinien być na górze.



BEZPRZEWODOWE STEROWANIE POPRZECZ DMX

Star-Color 270Z może być używany z bezprzewodowym sterownikiem DMX. Bezprzewodowy odbiornik funkcjonuje tylko na paśmie 2,4 GHz. Przełącz DMX na pracę bezprzewodową w głównym menu (zobacz strukturę menu w instrukcji aby uzyskać więcej informacji)

Następnie ustaw połączenie bezprzewodowe z Beamz BPP bezprzewodowym transmitters DMX (154.077).



UWAGA! Bezprzewodowy nadajnik DMX BPP i urządzenie muszą być podłączone do tego samego Wszechświata DMX, można to łatwo sprawdzić za pomocą kolorowego wskaźnika LED.

ŚRODOWISKO DMX	KOLOR	KANAŁY DMX
1	Czerwony	1 - 512
2	Zielony	1 - 512
3	Żółty	1 - 512
4	Niebieski	1 - 512
5	Magenta	1 - 512
6	Cyan	1 - 512
7	Biały	1 - 512



CZYSZCZENIE

Nagromadzenie kurzu, brudu i innych cząstek unoszących się w powietrzu zmniejszy moc świetlną urządzenia. Uniemożliwi to również prawidłowe chłodzenie urządzenia, co skróci żywotność urządzenia. Szybkość gromadzenia się zanieczyszczeń będzie się różnić w zależności od czynników środowiskowych, takich jak pył unoszący się w powietrzu, użycie maszyn do dymu, przepływ powietrza z systemów wentylacyjnych itp. Wentylatory chłodzące urządzenia przyspieszą gromadzenie się, a wszelkie cząstki dymu obecne w atmosferze zwiększą tendencję aby brud się zatkał.

Aby uzyskać najlepszą wydajność i żywotność urządzenia, należy go regularnie sprawdzać i czyścić, gdy tylko pojawią się oznaki gromadzenia się brudu.

Oceniaj środowisko operacyjne za każdym razem, gdy zaczniesz korzystać z urządzenia. W warunkach dużego zapylenia lub zadymienia, sprawdzaj urządzenie po kilku godzinach i sprawdzaj często, czy urządzenie może przyciągnąć brud szybciej, niż się spodziewasz. Sporządź harmonogram czyszczenia, który zapewni, że brud zostanie usunięty, zanim zacznie się gromadzić.

Skorzystaj z następujących wskazówek:

- Odłącz urządzenie od zasilania i pozwól mu całkowicie ostygnąć przed czyszczeniem.
- Do czyszczenia urządzenia nie należy używać rozpuszczalników, materiałów ściernych ani żadnych innych agresywnych środków.
- Odkurz lub użyj sprężonego powietrza o niskim ciśnieniu, aby usunąć kurz i luźne cząsteczki z powierzchni i otworów wentylacyjnych. Zapobiegaj obracaniu się łopatek wentylacyjnych przed skierowaniem odkurzacza lub strumienia powietrza do wentylatora, lub możesz obracać wentylator zbyt szybko i go uszkodzić.
- Czyść elementy szklane wycierając delikatnie miękką, czystą, niestrzępiącą się szmatką zwilżoną słabym roztworem detergentu. Umieść roztwór na szmatce, a nie na czyszczonej powierzchni. Unikaj tarcia szklanych powierzchni.
- Przed ponownym użyciem należy osuszyć urządzenie miękką, czystą, niestrzępiącą się szmatką lub sprężonym powietrzem pod niskim ciśnieniem.

ROZWIĄZYWANIE PROBLEMÓW

Poniższa lista kontrolna może pomóc w rozwiązaniu problemu w mało prawdopodobnym przypadku wystąpienia problemu podczas korzystania z produktu:

OBJAW	MOŻLIWA PRZYCZYNA	SUGEROWANE DZIAŁANIE
Brak odpowiedzi z urządzenia.	Brak zasilania urządzenia.	Sprawdź, czy zasilanie jest włączone. Sprawdź kable i połączenia. Skontaktować się z pomocą techniczną Beamz lub autoryzowanym partnerem serwisowym Beamz. Nie zdejmuj osłon podstawy lub jarzma. Nie należy wymieniać bezpieczników ani przeprowadzać napraw lub usług, które nie są opisane w niniejszej instrukcji obsługi, chyba że posiadasz autoryzację od Beamz lub autoryzowanego partnera serwisowego Beamz.
	Błąd wewnętrzny.	
Urządzenie resetuje się prawidłowo, ale nie reaguje (lub nie reaguje poprawnie) na kontroler.	Kontroler nie jest podłączony.	Podłącz kontroler.
	Zła linia DMX.	Sprawdź połączenia i kable. Popraw nieprawidłowe połączenia. Napraw lub wymień uszkodzone kable.
	Linia DMX nie ma oporności końcowej.	Włóż wtyczkę terminatora DMX do gniazda wyjścia danych ostatniego urządzenia na linii DMX.
	Niepoprawne adresowanie urządzeń.	Sprawdź adres urządzenia i ustawienia trybu DMX.
	Urządzenie jest wadliwe i zakłóca transmisję danych na linii DMX.	Odłącz złącza DMX IN i OUT i podłącz je bezpośrednio, aby ominąć jedno urządzenie naraz, aż do odzyskania normalnej pracy. Zlecić wadliwe urządzenie serwisowemu upoważnionemu technikowi.
	Pin 2 i 3 są odwrócone w połączeniu XLR.	Sprawdź połączenia i kable. Zamontuj kabel zmiany fazy pomiędzy urządzeniami lub sworzniem zamieniającym 2 i 3 w urządzeniu, które zachowuje się chaotycznie.
Błąd po zresetowaniu urządzenia.	Efekt wymaga mechanicznej regulacji.	Sprawdź wersję oprogramowania i komunikaty o błędach urządzenia, aby uzyskać więcej informacji. Skontaktuj się z Beamz lub autoryzowanym partnerem serwisowym Beamz.
Strumień świetlny odcina się z przerwami.	Urządzenie zbyt gorące.	Pozwól urządzeniu ostygnąć. Zmniejsz temperaturę otoczenia. Zapewnij swobodny przepływ powietrza wokół oprawy. W razie potrzeby wyczyść urządzenie.
	Diody LED uszkodzone	Odłącz urządzenie i skontaktuj się z pomocą techniczną Beamz lub autoryzowanym partnerem serwisowym Beamz.
	Ustawienia zasilania nie pasuje do lokalnego napięcia przemiennego i częstotliwości.	Odłącz urządzenie. Sprawdź ustawienia i poprawić w razie potrzeby.

CONTROL MENU

MENU		DESCRIPTION
D001	001- 512	DMX512 address setting -6-channel mode
A001	001- 512	DMX512 address setting -10-channel mode
_L00	000-100	Battery Level Indicator
S-SL	SL / FA	DMX512 dimming speed setting SL: slow dimming; FA: fast dimming
D-HO	Ho / oF	DMX signal loss processing mode setting: Ho: keep the last DMX signal state; oF: Turn off all LEDs
RFON	ON-OF	Wireless DMX control
IRON	ON-OF	IR remote control
R255	000 - 255	Red dimming , from dark to bright
G255	000 - 255	Green dimming , from dark to bright
B255	000 - 255	Blue dimming , from dark to bright
U255	000 - 255	White dimming , from dark to bright
Y255	000 - 255	Amber dimming , from dark to bright
P255	000 - 255	UV dimming , from dark to bright
I255	000-255	IR remote control brightness
F000	000 - 255	Strobe, speed from slow to fast
CL01	000-255	15 kinds static colour selectable
CC15	00- 15	Colour jumping, speed from slow to fast
DE15	00- 15	Colour Gradual change, speed from slow to fast
CP15	00- 15	Colour Pulse change, speed from slow to fast
SU15	00- 15	Sound control
T 30	00-99	Current temperature display

DMX CHANNELS

6 CHANNELS

CHANNEL	FUNCTION	VALUE	DESCRIPTION
1		000-255	Red 0-100%, from dark to bright
2		000-255	Green 0-100%, from dark to bright
3	Colour	000-255	Blue 0-100%, from dark to bright
4		000-255	White 0-100%, from dark to bright
5		000-255	Amber 0-100%, from dark to bright
6		000-255	UV 0-100%, from dark to bright

10 CHANNELS

CHANNEL	FUNCTION	VALUE	DESCRIPTION
1	Master dimmer	000-255	From dark to bright
2		000-255	Red 0-100%, from dark to bright
3		000-255	Green 0-100%, from dark to bright
4	Colour	000-255	Blue 0-100%, from dark to bright
5		000-255	White 0-100%, from dark to bright
6		000-255	Amber 0-100%, from dark to bright
7		000-255	UV 0-100%, from dark to bright
8	Strobe	000-255	Strobe from slow to fast
9	Program	000-050	No function
		051-100	15 kinds of colour output controlled by channel 10
		101-150	Colour jumping
		151-200	Colour gradual change
		201-250	Colour pulse change
		251-255	Sound control
10	Program speed	000-255	Function speed from slow to fast

TECHNICAL SPECIFICATIONS

	BBP94W	BBP96S	BBP96SW	BBP96SC
Ref. Nr:	150.590	150.591	150.578	150.577
Rated Voltage :	100-240VAC, 50-60Hz, 0.3-0.2A		100-240VAC, 50-60Hz, 0.7-0.3A	
Led :	6x 12Watt		6x 12 Watt	
Led Colours :	Red, Green, Blue, Amber, White, Ultra Violet			
Beam Angle :	26°		23°	
Illuminance :	3350 lx @ 1m		7000lx @ 1m	
DMX Channels :	6, 10			
Functions :	DMX, Automatic programs, Sound to light and Master-Slave			
Battery :	Lithium 5.2Ah		Lithium 9.6Ah	
Adapter :	12.6V / 2000mA		12.6V / 3000mAh	
Dimensions :	130 x 130 x 120mm			
Weight:	1.6 kg			

Design and product specifications are subject to change without prior notice.

The products referred to in this manual conform to the European Community Directives to which they are subject:

- Low Voltage (LVD) 2014/35/EU
- Electromagnetic Compatibility (EMC) 2014/30/EU
- Restriction of Hazardous Substances (RoHS) 2011/65/EU





A series of horizontal dotted lines spanning the width of the page, providing a guide for handwriting practice.



BEAMZ

YOUR FUTURE
YOUR SKILLS
YOUR PLATFORM
YOUR PARTY
YOUR EVENT



is a leading developer of lighting products, including intelligent DMX moving heads, wireless battery operated DMX effects, static washes, sound-activated club effects, strobes & blacklights, LED lighting, fog and special effects machines, lasers and indoor and outdoor architectural lighting, as well as lighting controllers and protective bags.

