



# Clubwasher 360

36x10W RGBW 4in1 LED Washer with Barndoor

Proiettore con 36 Led da 10W RGBW 4in1 e Alette Richiudibili

User Manual

Manuale Utente

Carefully read this manual and properly take care of it  
Leggete questo manuale e conservatelo per future consultazioni



Dear customer,

First of all thanks for purchasing a Centolight® product. Our mission is to satisfy all possible needs of light designers and professionals of entertainment lighting, by offering a wide range of products based on the latest technologies.

We hope you will be satisfied with this fixture and, if you want to collaborate, we are looking for a feedback from you about product operation and possible improvements to be introduced in the next future. Go to our website [www.centolight.com](http://www.centolight.com) and send an e-mail with your opinion; this will help us to build equipment ever closer to professional's real requirements.

The Centolight Team

---

Gentile Cliente,

Grazie per aver scelto un prodotto Centolight®. La nostra missione è quella di soddisfare ogni possibile richiesta da parte di light designers e professionisti dell'illuminotecnica per l'intrattenimento, offrendo una vasta gamma di apparecchiature basate su tecnologie di ultima generazione.

Speriamo di aver soddisfatto le vostre aspettative e, se voleste collaborare, saremo lieti di ricevere un vostro feedback sulla qualità del prodotto al fine di migliorare costantemente la nostra produzione. Visitate il nostro sito [www.centolight.com](http://www.centolight.com) ed inviateci una mail con la vostra opinione; questo ci aiuterà a sviluppare nuovi prodotti quanto più vicini alle vostre esigenze.

Il Team Centolight

# TABLE OF CONTENTS

<b>1 - Before you Begin</b>	<b>4</b>
1.1. What is included- - - - -	4
1.2. Unpacking Instructions - - - - -	4
1.3. Accessories - - - - -	4
1.4. Disclaimer - - - - -	5
<b>2 - Safety Instructions</b>	<b>5</b>
2.1. Symbols Meaning - - - - -	5
<b>3 - Mounting and Rigging</b>	<b>6</b>
3.1. Rigging - - - - -	6
3.2. Water / Moisture - - - - -	6
3.3. Heat - - - - -	7
3.4. Servicing - - - - -	7
<b>4 - Introduction</b>	<b>7</b>
4.1. Features - - - - -	8
4.2. Product Dimensions and Overview - - - - -	8
<b>5 - Product Setup</b>	<b>9</b>
5.1. Rear Panel Description- - - - -	9
5.2. About Power Connection - - - - -	10
5.3. About Dmx Connection - - - - -	10
5.4. DMX Terminator - - - - -	11
5.5. 3-Pin vs 5-Pin DMX cables - - - - -	11
<b>6 - Menu Operation</b>	<b>12</b>
6.1. Set DMX Address - - - - -	12
6.2. DMX Channel Assignments and Values - - - - -	13
6.3. Dimmer Curves - - - - -	14
6.4. Led Temperature Control - - - - -	14
6.5. Master/Slave Mode - - - - -	15
<b>7 - Lux Chart</b>	<b>15</b>
<b>8 - Troubleshooting</b>	<b>16</b>
<b>9 - Specification</b>	<b>17</b>
<b>10 - Warranty And Service</b>	<b>18</b>
<b>11 - Warning</b>	<b>18</b>

## 1 - BEFORE YOU BEGIN

Thank you for purchasing Clubwasher 360. Enjoy your new equipment and make sure to read this manual carefully before operation! This user manual is made to provide both an overview of controls, as well as information on how to use them.

### 11. What is included

Package include:

- 1x Centolight Clubwasher 360 projector
- 1x 1.2m (47in ca.) Powercon to Europlug power cable
- 1X 2m (79in ca.) DMX Cable 3-pin XLR-M to 3-pin XLR-F
- This User Manual

**⚠ ATTENTION: Packaging bag is not a toy! Keep out of reach of children!!! Keep in a safe place the original packaging material for future use.**

### 12. Unpacking Instructions

Carefully unpack the product immediately and check the content to make sure all the parts are in the package and are in good condition.

If the box or the contents (the product and included accessories) appear damaged from shipping, or show signs of mishandling, notify the carrier or dealer/seller immediately. In addition, keep the box and contents for inspection.

If the fixture must be returned to the manufacturer, it is important that it is returned in the original manufacturer box and packing. Please do not take any action without first contacting your dealer or getting in touch with our after-sales support service (visit [www.centolight.com](http://www.centolight.com) for details).

### 13. Accessories

Centolight can supply a wide range of quality accessories that you can use with your Clubwasher Series equipment, like Cables, Splitters, DMX controllers, Consumables, and a wide range of other fixtures.

All products in our catalogue has been long tested with this device, so we recommend you to use Genuine Centolight Accessories and Parts.

Ask your Centolight dealer or check out our website [www.centolight.com](http://www.centolight.com) for any accessories you could need to ensure best performance of the product.

## 14. Disclaimer

The information and specifications contained in this User Manual are subject to change without notice. Centolight assumes no responsibility or liability for any errors or omissions and reserves the right to revise or to create this manual at any time.

**Copyright© 2021 Centolight. All rights reserved.**

## 2 - SAFETY INSTRUCTIONS

- Read these instructions
- Keep these instructions
- Heed all warning
- Follow all instructions

## 21. Symbols Meaning



The symbol is used to indicate that some hazardous live terminals are involved within this apparatus, even under the normal operating conditions, which may be sufficient to constitute the risk of electric shock or death.



The symbol is used to describe important installation or configuration problems. Not following advice and information on how to avoid such problems may lead to product malfunction.



This symbol indicates a protective grounding terminal.

### WARNING:

Describes precautions that should be observed to prevent the danger of injury or death to the operator.



To protect the environment, please try to recycle packing material and exhausted consumables as much as possible.



This symbol indicates that the fixture is intended to indoor use only. Keep the machine dry and do not expose to rain and moisture.



Don't throw this product away just as general trash, please deal with the product follow the abandon electronic product regulation in your country.

## 3 – MOUNTING AND RIGGING

**⚠ Pay attention to safety! Please respectively consider the EN 60598-2-17 and the national standard during the installation. Only authorized technicians can carry out the installation.**

### 3.1 Rigging

- The installation of the fixture has to be built and constructed in a way that it can hold 10 times the weight for 1 hour without any harming demolition. The installation must always be secured with a secondary safety attachment, e.g. an appropriate catch net. This secondary safety attachment must be constructed in a way that no part of the installation can fall down if the main attachment fails.
- When rigging, de-rigging or servicing the fixture staying in the area below the installation place, on bridges, under high working places and other endangered areas is forbidden. The operator has to make sure that the safety measure and the machine's technical installation is approved by an expert before taking into operation for the first time and after changes before taking into operation another time. He has also to make sure that an expert approves safety measure and the machine's technical installation once a years.

**⚠ IMPORTANT: Overhead rigging requires extensive experience, including (but not limited to) calculating working load limits, installation material being used, and periodic safety inspection of all installation material and the projector. If you lack these qualifications, do not attempt the installation yourself, but instead use a professional structural rigger. Improper installation can result in bodily injury or property loss.**

- If the fixture shall be lowered from the ceiling or high joists, professional trussing systems have to be used. The fixture must never be fixed swinging freely in the room.

**⚠ CAUTION: Use appropriate clamps to rig the fixture on the truss. Make sure that the device is fixed properly! Ensure that the structure (truss) to which you are attaching the fixtures is secure.**

### 3.2 Water / Moisture

- The product is for indoor use. In order to prevent risk of fire or electric shock, do not expose to rain or moisture

- The unit can not be used near water; for example near a bathtub, a kitchen sink, a swimming pool, etc.

### 3.3. Heat

- Do not use in a confined space. Always install the product in a location with adequate ventilation, at least 20in (50 cm) from adjacent surfaces. Be sure that no ventilation slots on the product's housing are blocked.
- The apparatus should be located away from heat sources such as radiators, stoves or other appliances that produce heat.



**Don not use it when maximum ambient temperature is higher than 50°C Work temperature ranges from -20°C to 50°C (-4°F to 122°F).**

### 3.4. Servicing

- Do not implement any servicing other than those means described in the manual. Refer all servicing to qualified service personnel only. The internal components of the equipment must be purchased from the manufacturer. Only use accessories/attachments or parts recommended by the manufacturer.

## 4 - INTRODUCTION

The Clubwasher series by Centolight was created to offer indoor projectors for all those architectural and live applications that require diffused lights (backdrops of scenes, architectural structures, etc.) and with a rather wide projection angle (45°). The Clubwasher 360 has a light source consisting of 36 LEDs 10W RGBW 4in1 arranged in 4 horizontal rows of 9 each.

The luminescence in Full-color @ 1m condition can reach 26000 Lux. The CRI is higher than 80 to guarantee an excellent color rendering in all uses. The dimmer control includes 5 adjustment curves to adapt the fixture response to all the main uses; the scanning frequency higher than 25kHz makes this light flicker-free, and it can be used even during television shooting.

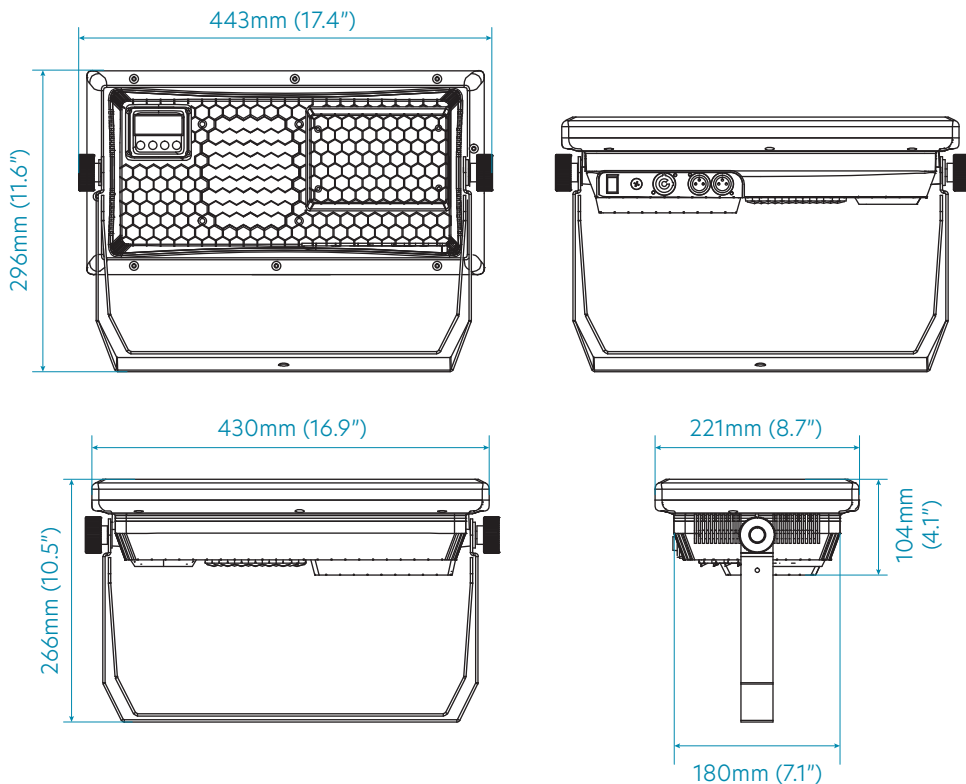
The internal temperature is controlled by sensors which, in case of heating above 80°C, reduces the luminescence and controls the fan speed, so as to cool the chips and reduce the noise of the fans when cooling is not needed. The result is greater reliability and lifespan of LEDs.

The structure of the fixture is made of plastic material with mechanical parts and steel brackets that give strength and at the same time lightness and practicality.

## 4.1 Features

- 36pcs of High Brightness 10W RGBW 4in1 LEDs
- 45° Beam Angle
- CRI: Ra≥80
- Flicker-Free Operation
- 5 Dimmer Curves
- Intelligent Temperature and Fan speed Control
- Low Fan Noise
- Built-in Programs
- Detachable Barn-door system

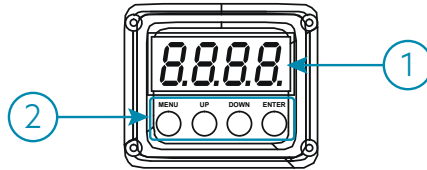
## 4.2 Product Dimensions and Overview





## 5 - PRODUCT SETUP

### 5.1 Rear Panel Description



The operation panel includes the LED display and control button operation area.

#### 1) 4 Digit LED Display

It shows the operating mode and other system information.

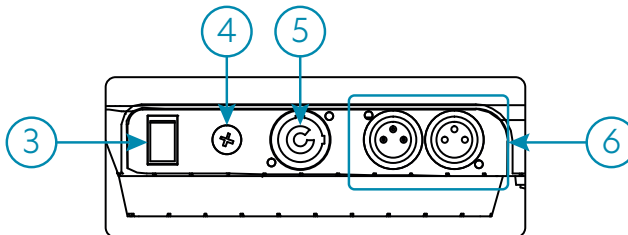
#### 2) Control Buttons

**MENU Button** - Short-press it to switch the setting pages.

**UP Button** - It scrolls up individual items in the selection menu and sub-menus for system settings (DMX address, Operation Mode, etc.), and increases values/settings of parameters.

**DOWN Button** - It scrolls down individual items in the selection menu and sub-menus for system settings (DMX address, Operation Mode, etc.), and increases values/settings of parameters.

**ENTER Button** - Press ENTER to access menu levels and confirm parameter value changes.



#### 3) Power On/Off

It is the power on/off button.

#### 4) Fuse Holder

Fuse holder with F5AL/250 V fuse (5x20mm). In case of fuse burn, to prevent the risk of fire and damaging the unit, please use only a spare of the recommended

fuse type as described. Before replacing the fuse, make sure the unit turned off and disconnected from the AC outlet.

## 5) Power Input Sockets

Plug the power-cord included with Clubwasher 360 into an AC socket properly configured for this fixture. Please read "5.2. About Power Connection" on page 10 for details.

## 6) DMX Input/Output Sockets

DMX Input is a 3-pin male XLR socket for connection to a DMX control device. DMX output is a 3-pin female socket for sending the DMX control signal to other units.


## 5.2. About Power Connection

- Always make sure that the voltage of the outlet you are connecting the product to is within the range stated in paragraph "9 - Specification" on page 17 or rear panel of the product (AC110V-240V 50/60Hz).
- Make sure the power cord is not crimped or damaged. Never connect this product to a dimmer pack or rheostat.
- Never disconnect the product from power cord by pulling or tugging on the cord.
- To avoid electric shock, all fixtures must be connected to circuits with a suitable ground and circuit breaker.
- Wire correspondence is as follows:

Cable (EU)	Pin	International
Brown	Live	L
Blue	Neutral	N
Yellow/Green	Earth	⊕

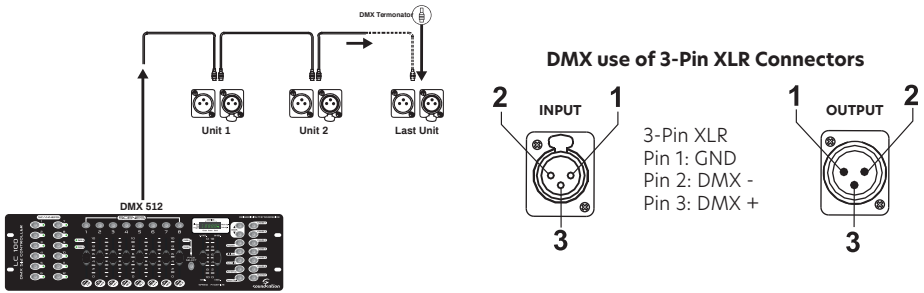
 **Earth must be connected! Always pay attention to safety! Before taking into operation for the first time, the installation has to be approved by an expert.**

## 5.3. About Dmx Connection

 **When use a DMX controller, please make sure that there is no interference sources (e.g. intercom, high frequency radio waves and radiation source).**

DMX machines are designed to receive data through a serial Daisy Chain. A Daisy Chain connection is where the DATA OUT of one fixture connects to the DATA IN of the next fixture. The order in which the machines are connected is not important and has no effect on how a controller communicates to each of them. Use an order

that provides for the easiest and most direct cabling.

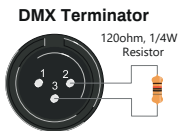


Connect machines using shielded 2-conductor twisted pair cable with 3-pin XLR male to female connectors. The shield connection is pin 1, while pin 2 is Data Negative (S-), and pin 3 is Data positive (S+).

**⚠ CAUTION: Wires must not come into contact with each other, otherwise the fixtures will not work at all, or will not work properly.**

## 5.4. DMX Terminator

DMX is a resilient communication protocol, however errors still occasionally occur. In order to prevent electrical noise from disturbing and corrupting the DMX control signals, a good habit is to connect DMX output of last fixture in the chain to a DMX terminator, especially over long signal cable runs.

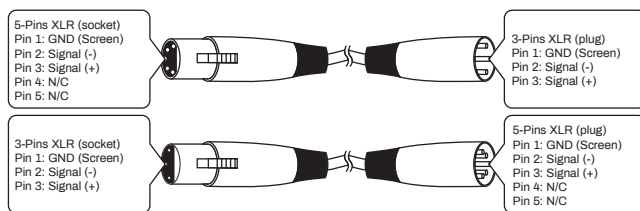


The DMX terminator is simply an XLR connector with a 120Ω (ohm), 1/4 Watt resistor connected across Signal (-) and Signal (+), respectively, pins 2 and 3, which is then plugged into the output socket on last projector in the chain. The connections are illustrated below.

**⚠ Complimentary signal cable can transmits signals to 20 unit fixtures at most. Signal amplifier is a must to connect more fixtures.**

## 5.5. 3-Pin vs 5-Pin DMX cables

DMX connection protocols used by controllers and fixtures manufacturers are not standardized around the world. However, two are the most common standards: 5-Pin XLR and 3-Pin XLR system. If you wish to connect this fixture to a 5-Pin XLR input fixture, you need to use an adapter-cable or make it by yourself. Below you can see the wiring correspondence between 3-Pin and 5-Pin plug and socket standards



## 6 - MENU OPERATION

By pressing MENU button, the display will cycle through 13 different menus. Press ENTER button to enter the corresponding menu, press UP or DOWN to modify current parameter value. Then, press ENTER button again to save current value.

No.	Menu	Function
1	d11-	DMX 11 channel mode. Adjusts DMX512 address from 001 to 512.
2	d.6--	DMX 6 channel mode. Adjusts DMX512 address from 001 to 512.
3	r---	Red brightness adjustment: 0-255
4	g---	Green brightness adjustment: 0-255
5	b---	Blue brightness adjustment: 0-255
6	n---	White brightness adjustment: 0-255
7	pr--	Internal Presets from pr01 to pr25: pr01: RED pr02: GREEN pr03: BLUE pr04: Lemon GREEN; pr05: OLIVE pr06: YELLOW pr07: CONGO RED; pr08: LIGHT ORANGE pr09: WINE RED pr10: PINK; pr11: PINK PURPLE pr12: LIGHT PURPLE pr13: POWDER BLUE; pr14: LIGHT BLUE pr15: SKY BLUE pr16: LIGHT CYAN pr17: DARK GREEN pr18: WATER GREEN pr19: LIGHT GREEN; pr20: COOL WHITE pr21: LIGHT COOL WHITE pr22: PURE WHITE pr23: PURPLE WHITE pr24: CREAMY WHITE pr25: WARM WHITE
8	F---	F000 to F255: strobe, from slow to fast (strobe color is decided by r---, g---, b---, n--- colors)
9	C---	C000 to C255: speed of fade of colors, from slow to fast
10	J---	J000 to J255: speed of jump change of colors, from slow to fast
11	S---	S000 to S255: speed of voice control, from slow to fast
12	T---	Ton: temperature control ON; Toff: temperature control OFF
13	dr--	dr-0: standard dimmer; dr-1: dimmer curve 1; dr-2: dimmer curve2; dr-3: dimmer curve 3; dr-4: dimmer curve 4;

### 6.1 Set DMX Address

When selecting a starting DMX address, always consider the number of DMX channels. If you choose a starting address that is too high, you could restrict the access to some of the product's channels. Clubwasher 360 uses 6 DMX channels or 11 DMX channel (according to the DMX mode chosen), which defines the highest configurable address to 505 or 485 to have all channels controllable.

Set the Clubwasher 360 starting address in the 001 - 505 DMX range to enable control of up to 85 products in the 6-channel control mode. Set the Clubwasher 360 starting address in the 001 - 485 DMX range to enable control of up to 45 products in the 11-channel control mode.

## 6.2 DMX Channel Assignments and Values

When use DMX control , the system takes 6 or 11 channels (depending on selected DMX mode. Below you can see the channel assignments for both modes.

### 1) 11-ch DMX512 Channel Chart

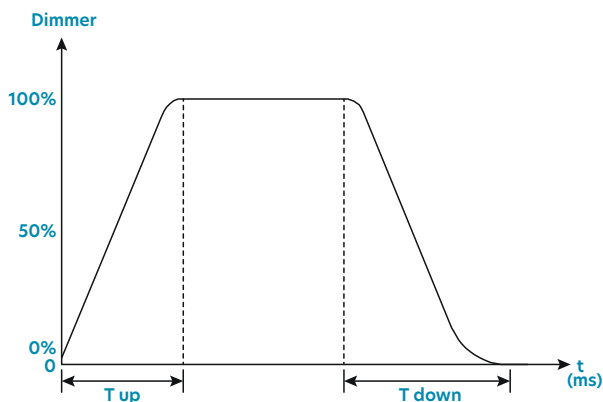
CH	Function	Specification		
CH1	Dimmer	0-255: R G B W linear adjustment, from dark to bright		
CH2	R dimmer	0-255: RED linear adjustment, from dark to bright		
CH3	G dimmer	0-255: GREEN linear adjustment, from dark to bright		
CH4	B dimmer	0-255: BLUE linear adjustment, from dark to bright		
CH5	W dimmer	0-255: WHITE linear adjustment, from dark to bright		
CH6	Strobe	0-5: no function 6-55: random strobe	106-155: average strobe 56-105: pulse strobe	156-205: thunder strobe 206-255: standard strobe
CH7	Color Mix	0-1: no function 2-43: red from dark to bright 44-85: red from bright to dark; green from dark to bright 86-127: green from bright to dark; blue from dark to bright 128-169: red from dark to bright; blue full bright 170-211: red full bright; green from dark to bright; blue full bright 212-254: RGB full bright, W from dark to bright 255: RGBW full bright		
CH8	Color Preset	0-5: no function 6-15: red 16-25: green 26-35: blue 36-45: lime green 46-55: olive 56-65: yellow 66-75: Congo red 76-85: light orange	86-95: wine red 96-105: pink 106-115: purple 116-125: light purple 126-135: powder blue 136-145: light blue 146-155: sky blue 156-165: light cyan 166-175: dark green	176-185: water green 186-195: light green 196-205: cool white 206-215: light cool white 216-225: pure white 226-235: purple white 236-245: creamy white 246-255: warm white
CH9	Auto / Sound Control	0-10: no function 11-40: fade 1 41-70: fade 2	71-100: fade 3 101-130: jump change 1 131-160: jump change 2	161-190: jump change 3 191-220: strobe by sound control 221-255: jump change by sound control
CH10	Auto Speed	0-255: auto speed, from slow to fast		
CH11	Dimmer Curve	0-20: standard dimmer 21-40 dimmer curve 41-60: dimmer curve 2 61-80: dimmer curve 3 81-100: dimmer curve 4 101-149: no function 150-155 (stay 3 sec): half power function under high temp. OFF 156-199: no use 200-205 (stay 3 sec): half power function under high temperature ON 206-255 no function		

## 2) 6-ch DMX512 Channel Chart

CH	Function	Description
CH1	Total dimming	0-255 : Total Linear Dimming , from Dark to Bright.
CH2	Red	0-255 : Red Linear Dimming, from Dark to Bright.
CH3	green	0-255 : Green Linear Dimming, from Dark to Bright.
CH4	blue	0-255 : Blue Linear Dimming, from Dark to Bright.
CH5	white	0-255 : White Linear Dimming, from Dark to Bright.
CH6	Strobe	0-255: Adjustment of speed of colorful strobe ,from slow to fast

### 6.3 Dimmer Curves

Clubwasher 360 offers 5 dimmer curves (Normal + 4 Curves) with different times for T-up and T-down (see the picture below and the following table). It allows you to adapt the dimmer control to various applications (for example, theater, photo studio, live music, etc.).



To adjust it, press MENU until you reach the "dr--" page. Press ENTER; you see the current value. Then press UP or DOWN to choose between 0 and 4. Press ENTER to confirm and menu to go back to the selection of menu pages.

Ramp Effect	Menu	T-up (ms)	T-down (ms)
Standard Dimmer Curve	dr-0	0	0
Dimmer Curve 1	dr-1	980	1010
Dimmer Curve 2	dr-2	1210	1320
Dimmer Curve 3	dr-3	1600	1710
Dimmer Curve 4	dr-4	1850	1980

### 6.4.Led Temperature Control

Clubwasher 360 is equipped with a digital processor that controls fan speed and Led power consumption. Users can choose between On and Off.

Users can select the desired mode by pressing MENU button until they reach the "T--" page. Press ENTER then press UP or DOWN to choose between "Ton" or "Toff". Press ENTER to confirm and MENU to go back to the selection of menu pages.

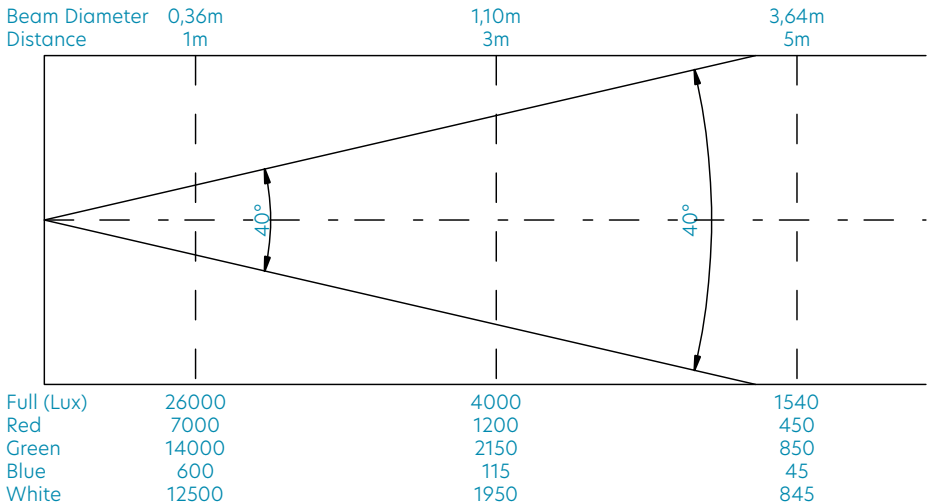
**Ton** lets the internal processor to control the Led current consumption and adjusts brightness to keep the chip always cooled. Brightness reduction starts when temperature is 80°C (50% reduction). When temperature goes down to 65°C, the processor recovers 100% power consumption.

**Toff** does not control Led power consumption and fan speed is always at maximum.

## 6.5 Master/Slave Mode

In case you need to control more Clubwasher 360 simultaneously (all fixtures operate exactly the same way) without the use of a DMX controller, you can use the Master/Slave function. There is no specific function to be activated on the display; simply the master unit must be connected first, all the others in daisy-chain through the DMX IN-OUT connections. All units (master and slaves) should be in same Channel Mode (all 6CH or 11CH) and same DMX channel.

## 7 - LUX CHART



## 8 - TROUBLESHOOTING

Problem	Probable Cause(s)	Remedy
No response from fixture when power is applied	No power to fixture	Check power cables
		Check mains plug
Fixture does not reset correctly	Electronic failure	Contact service technician*
No light, LED cuts out intermittently, or burns out too quickly	LED missing or blown	Disconnect fixture and replace the LED
	Fixture or LED is too hot	Allow fixture to cool. If problem persists, contact service technician*
Fixture resets but does not respond correctly to controller (DMX mode operation)	Controller not connected	Connect controller
	Incorrect addressing of the fixtures	Check address setting on fixture and controller
	Bad data link connection	Inspect cables and correct poor connections and/or broken cables.
	Conflict between tracking and vector control	Eliminate scene cross-fade on controller
	Data link not terminated	Insert termination plug in output of last fixture**
	Defective fixture on 2 devices transmitting on link	Bypass fixtures one at a time until normal operation is regained: unplug both connectors and connect them directly together

\* To contact Centolight service, see "10 - Warranty And Service" on page 18 or visit [www.centolight.com](http://www.centolight.com)

\*\* For instruction on how to install a DMX terminator, see "5.4. DMX Terminator" on page 11.



## 9 - SPECIFICATION

Light Source	36x 10W RGBW 4in1 Leds
Lens Angle	45°
Luminanza	max 26000 Lux @ 1m RGBW full (see the Lux Chart for details)
CRI	Ra≥80
Dimmer	Electronic Linear 0-100% with 5 curves (1 standard + 4 with different Attack/Release Times)
Dimmer Control Frequency	25kHz (Flicker-Free)
Control Mode	DMX512 / Manual / Master-Slave / Sound
Strobe	0~30Hz
DMX Modes	11CH / 6CH (selectable)
Built in programs	5 Strobe + 6 Auto + 2 Voice Control
Cooling Systems	Temperature detection and over-heating protection (when temperature goes up to 80°C, power consumption reduces to 50%; when temperature goes down to 65°C, recovers full power consumption to 100%)
Fan Speed	Controlled by processor according to internal temperature
Fan Noise	Max 43dB @1m
IP Rate	IP20
DMX Connections	3-Pin XLR In/Out
Working Temperature	From -20°C to 50°C (-4°F to 122°F).
Power Connections	Powercon In/Out
Voltage	AC110V/240V - 50/60Hz
Fuse	250V, 5AL
Max Power Consumption	350W
Housing Material	Steel
Barndoor	Detachable Barndoor Included
Fixture Size	430 x 221 x 104 mm - 16.9 x 8.7 x 4.1 in
Fixture Net weight	4.5kg - 9.92 lbs. (6.2kg - 13.67 lbs. with barn-door)
Packing Size	515 x 190 x 345 mm - 20.27 x 7.48 x 13.58 in
Gross Weight	6,75 kg - 14.88 lbs.

*Note: Our products are subject to a process of continual further development. Therefore modifications to the technical features remain subject to change without further notice.*

## 10 - WARRANTY AND SERVICE

All Centolight products feature a limited two-year warranty. This two-year warranty starts from the date of purchase, as shown on your purchase receipt. The following cases/components are not covered by this warranty:

- Any accessories supplied with the product
- Improper use
- Fault due to wear and tear
- Any modification of the product effected by the user or a third party

Centolight shall satisfy the warranty obligations by remedying any material or manufacturing faults free of charge at Centolight's discretion either by repairing or exchanging individual parts or the entire appliance. Any defective parts removed from a product during the course of a warranty claim shall become the property of Centolight.

While under warranty, defective products may be returned to your local Centolight dealer together with the original proof of purchase. To avoid any damages in transit, please use the original packaging if available. Alternatively, you can send the product to Centolight SERVICE CENTER - Via Enzo Ferrari, 10 - 62017 Porto Recanati - Italy. In order to send a product to service center, you need an RMA number. Shipping charges have to be covered by the owner of the product.

For further information please visit [www.centolight.com](http://www.centolight.com)

## 11 - WARNING

**PLEASE READ CAREFULLY** - EU and EEA (Norway, Iceland and Liechtenstein) only



This symbol indicates that this product is not to be disposed of with your household waste, according to the WEEE Directive (2012/19/UE) and your national law.

This product should be handed over to a designated collection point, e.g., on an authorized one-for-one basis when you buy a new similar product or to an authorized collection site for recycling waste electrical and electronic equipment (WEEE).

Improper handling of this type of waste could have a possible negative impact on the environment and human health due to potentially hazardous substances that are generally associated with EEE. At the same time, your cooperation in the correct disposal of this product will contribute to the effective usage of natural resources.

For more information about where you can drop off your waste equipment for recycling, please contact your local city office, waste authority, approved WEEE scheme or your household waste disposal service.

## SOMMARIO

<b>1 - Prima Di Iniziare</b>	<b>20</b>
1.1. Cosa è Incluso - - - - -	20
1.2. Istruzioni per il Disimballaggio - - - - -	20
1.3. Accessori - - - - -	20
1.4. Limiti di Responsabilità - - - - -	21
<b>2 - Istruzioni di Sicurezza</b>	<b>21</b>
2.1. Significato dei simboli - - - - -	21
<b>3 - Montaggio e Appendimento</b>	<b>22</b>
3.1. Installazione Sospesa - - - - -	22
3.2. Acqua / umidità - - - - -	22
3.3. Calore - - - - -	23
3.4. Manutenzione - - - - -	23
<b>4 - Introduzione</b>	<b>23</b>
4.1. Caratteristiche - - - - -	23
4.2. Dimensioni e Panoramica del Prodotto - - - - -	24
<b>5 - Setup del prodotto</b>	<b>25</b>
5.1. Descrizione del pannello posteriore - - - - -	25
5.2. Connessioni di Rete - - - - -	26
5.3. Connessioni DMX - - - - -	26
5.4. Terminatore DMX - - - - -	27
5.5. Cavi DMX 3-Poli/5-Poli - - - - -	27
<b>6 - Funzionamento dei Menu</b>	<b>28</b>
6.1. Impostazione dell'indirizzo DMX - - - - -	28
6.2. Assegnazioni e valori dei canali DMX - - - - -	29
6.3. Curve dimmer. - - - - -	30
6.4. Controllo della temperatura dei LED - - - - -	31
6.5. Modalità Master/Slave - - - - -	31
<b>7 - Grafico dei Lux</b>	<b>31</b>
<b>8 - Risoluzione dei Problemi</b>	<b>32</b>
<b>9 - Specifiche Tecniche</b>	<b>33</b>
<b>10 - Garanzia e Assistenza</b>	<b>34</b>
<b>11 - Avviso UE e SEE (Norvegia, Islanda, Liechtenstein)</b>	<b>34</b>


## 1 - PRIMA DI INIZIARE

Grazie per aver acquistato il proiettore Clubwasher 360. Prima di iniziare, assicuratevi di leggere attentamente questo manuale! Esso utente è stato creato per fornire sia una panoramica dei controlli, sia informazioni su come usarli.

### 1.1. Cosa è Incluso

La confezione include:

- 1x proiettore Centolight Clubwasher 360
- 1X Cavo di Rete da 1.2m (47in ca.) con connettori Powercon e Europlug (tedesca)
- 1x Cavo da 2m (79in ca.) DMX XLR 3pin Maschio - XLR 3-pin Femmina
- Questo Manuale d'uso

 **ATTENZIONE:** La confezione non è un giocattolo! Tenere fuori dalla portata dei bambini! Conservare in un luogo sicuro il materiale di imballaggio originale.

### 1.2. Istruzioni per il Disimballaggio

Tirare fuori dall'imballo il prodotto con attenzione e controllare il cartone per assicurarsi che tutte le parti siano nella confezione e siano in buone condizioni.

Se la confezione o il contenuto (il prodotto e gli accessori inclusi) risultano danneggiati dalla spedizione o mostrano segni di maltrattamento, avvisare immediatamente il vettore o il rivenditore. Inoltre, conservare la scatola e il contenuto per una eventuale ispezione.

Se l'apparecchiatura dovesse essere restituita al produttore, è importante che venga riportata o spedita nell'imballo originale del produttore. Si prega di non intraprendere alcuna azione senza prima contattare il proprio rivenditore o aver contattato il nostro servizio di assistenza post-vendita (visitare [www.centolight.com](http://www.centolight.com) per i dettagli).

### 1.3. Accessori

Centolight fornisce un'ampia gamma di accessori di qualità che è possibile utilizzare con le apparecchiature della serie Clubwasher, come cavi, splitter, controller DMX, materiali di consumo e un'ampia gamma di altri fari.

Tutti i prodotti nel nostro catalogo sono stati testati a lungo con questo dispositivo, quindi ti consigliamo di utilizzare accessori e ricambi originali Centolight.

Chiedete al vostro rivenditore Centolight o visitate il nostro sito web [www.centolight.com](http://www.centolight.com) per eventuali accessori di cui potreste aver bisogno per garantire le migliori prestazioni al vostro prodotto.

## 14. Limiti di Responsabilità

Le informazioni e le specifiche contenute in questo manuale utente sono soggette a modifiche senza preavviso. Centolight non si assume alcuna responsabilità per eventuali errori od omissioni e si riserva il diritto di rivedere o creare questo manuale in qualsiasi momento.

**Copyright© 2021 Centolight. Tutti i diritti riservati.**

## 2 - ISTRUZIONI DI SICUREZZA

- Leggete queste istruzioni
- Conservate queste istruzioni
- Prestate attenzione a tutti gli avvertimenti
- Seguite tutte le istruzioni

## 21. Significato dei simboli



Questo simbolo viene utilizzato per indicare che all'interno di questo apparecchio sono presenti terminali sotto tensione, anche in condizioni operative normali, che possono essere sufficienti a costituire il rischio di scosse elettriche o morte.



Questo simbolo è usato per descrivere importanti problemi di installazione o configurazione. Il mancato rispetto dei consigli e delle informazioni su come evitare tali problemi può portare al malfunzionamento del prodotto.



Questo simbolo indica un terminale di messa a terra.

### ATTENZIONE

Descrive precauzioni da osservare per prevenire lesioni o morte dell'operatore.



Per proteggere l'ambiente, cercare di riciclare il più possibile il materiale di imballaggio e i materiali di consumo esauriti



Questo simbolo indica che il dispositivo può essere usato solo all'interno. Tenere asciutto il proiettore e non esporre a pioggia e umidità



Non gettare questo prodotto come spazzatura generica, conferire il prodotto seguendo le normative sui rifiuti elettronici in vigore nel vostro paese.

## 3 - MONTAGGIO E APPENDIMENTO

**⚠ Prestare attenzione alla sicurezza! Si prega di fare sempre riferimento alla direttiva EN 60598-2-17 e agli standard nazionali in fase di installazione. Solo personale autorizzato può eseguire l'installazione.**

### 3.1 Installazione Sospesa

- L'installazione del dispositivo deve essere progettata e costruita in un modo che possa sopportare 10 volte il peso per 1 ora, senza alcun cedimento o danneggiamento della struttura. L'installazione deve essere sempre protetta con un dispositivo di sicurezza secondario, ad esempio un cavo di sicurezza. Questo dispositivo deve essere realizzato in un modo tale che nessuna parte del prodotto possa cadere se il fissaggio principale cedesse.
- Durante le operazioni di montaggio, smontaggio o manutenzione del proiettore è vietato consentire lo stazionamento o anche solo il passaggio nell'area sottostante l'installazione. L'operatore deve assicurarsi che l'installazione e i sistemi di sicurezza siano approvati da un esperto prima di avviare per la prima volta il funzionamento dopo aver apportato qualsiasi modifica. Deve inoltre assicurarsi che un esperto approvi nuovamente l'installazione e i dispositivi di sicurezza ogni anno.

**⚠ IMPORTANTE: il montaggio su strutture sospese richiede un'esperienza specifica, tra cui (ma non soltanto) il calcolo dei limiti di carico di lavoro, la scelta del materiale di installazione e l'ispezione periodica del proiettore e dei dispositivi di sicurezza. Se non si dispone di tali qualifiche, è bene non procedere con l'installazione da soli, ma si consiglia di rivolgersi a professionisti specializzati. L'installazione impropria può provocare lesioni personali anche molto gravi.**

- Se il proiettore deve essere alzato verso/o abbassato dal soffitto o da travi sospese, è consigliabile usare sistemi di tralicci professionali. L'apparecchio non deve mai essere lasciato oscillare liberamente.

**⚠ ATTENZIONE: utilizzare i morsetti appropriati per montare l'apparecchio sul traliccio. Assicurarsi che il dispositivo sia fissato correttamente e che il traliccio stesso sia sicuro.**

### 3.2 Acqua / umidità

- Il prodotto è per uso interno. Al fine di prevenire il rischio di incendio o scosse elettriche, non esporre a pioggia o umidità
- L'unità non può essere utilizzata vicino all'acqua; ad esempio vicino a una vasca

da bagno, un lavello da cucina, una piscina, ecc.

### 3.3. Calore

- Non usare in uno spazio ristretto. Installare sempre in una posizione con un'adeguata ventilazione, almeno 20" (50 cm) da superfici adiacenti. Assicurarsi che nessuna fessura di ventilazione sull'alloggiamento del prodotto sia bloccato.
- L'apparecchio deve essere posto lontano da fonti di calore come radiatori, stufe o altri apparecchi che producono calore.



**Non usarlo quando la temperatura massima ambientale è superiore a 50 °C. La temperatura ottimale di lavoro va da -20 °C a 50 °C (da -4 °F a 122 °F).**

### 3.4. Manutenzione

- Non effettuare alcuna manutenzione diversa da quelle descritte nel presente manuale. In caso di ulteriori manutenzioni, rivolgersi a personale specializzato. Eventuali componenti interni devono essere acquistati da rivenditori specializzati. Utilizzare solo accessori o parti raccomandate dal produttore.

## 4 - INTRODUZIONE

La serie Clubwasher di Centolight nasce per offrire proiettori da interno per tutte quelle applicazioni architettrali e live che necessitano luci diffuse (fondali di scenografie, strutture architettoniche, ecc.) e con angolo di proiezione piuttosto ampio (45°). Il Clubwasher 360 ha una sorgente luminosa composta da 36 Led da 10W RGBW 4in1 disposti in 4 file orizzontali da 9 ciascuno.

La luminescenza in condizione Full-color @ 1m raggiunge i 26000 Lux. Il CRI è superiore a 80 in modo da garantire una ottima resa cromatica in tutti gli utilizzi. Il controllo dimmer prevede 5 curve di regolazione per adattare la risposta del faro a tutti i principali impieghi; la frequenza di scansione, superiore ai 25kHz, rende questo faro flicker-free, ovvero adatto anche in caso di riprese televisive.

La temperatura interna è controllata da sensori che, in caso di riscaldamento al di sopra di 80°C, riduce la luminescenza e controlla la velocità della ventola, in modo da raffreddare i chip e ridurre la rumorosità delle ventole quanto non necessario raffreddare. Il risultato è una maggiore affidabilità e durata nel tempo dei Led.

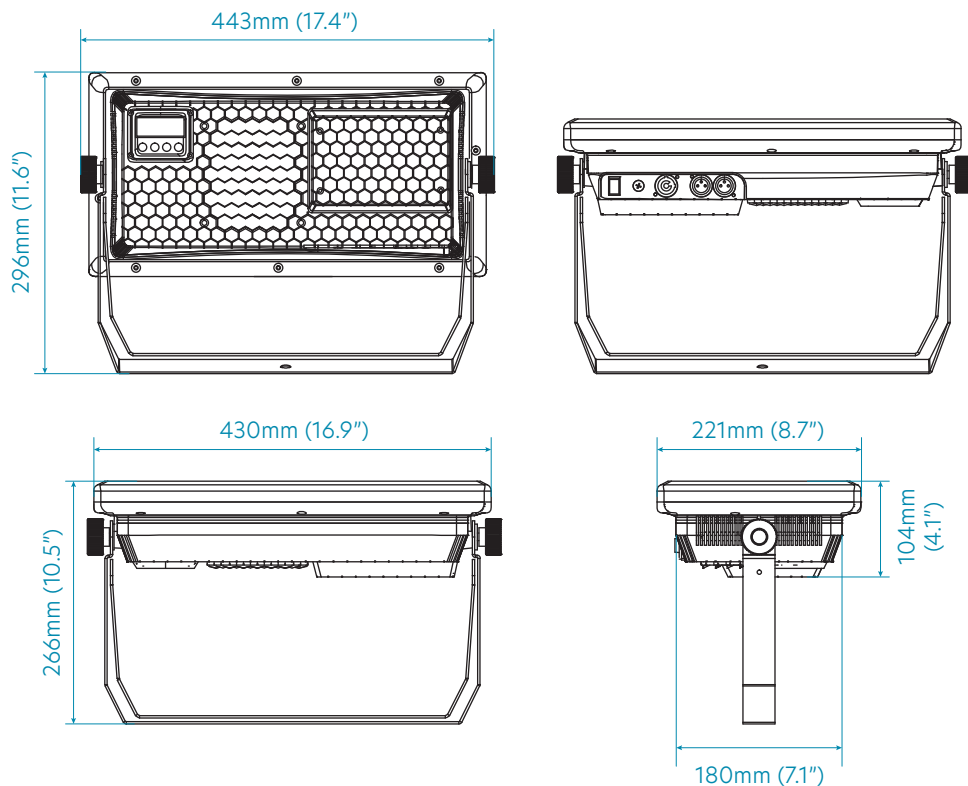
La struttura del faro è in materiale plastico con parti meccaniche e staffe in acciaio che conferiscono robustezza e allo stesso tempo leggerezza e praticità.

### 4.1. Caratteristiche

- 36 LED ad Alta Luminosità da 10W RGBW 4in1

- Angolo del fascio luminoso di 45°
- CRI: Ra≥80
- Funzionamento Flicker-Free
- 5 Curve Dimmer
- Controllo Intelligente della Temperatura e della Velocità della Ventola
- Basso rumore della ventola
- Programmi Integrati
- Sistema di Alette Richiudibili

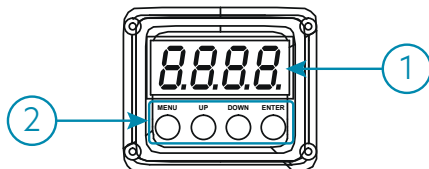
## 4.2. Dimensioni e Panoramica del Prodotto





## 5 - SETUP DEL PRODOTTO

### 5.1 Descrizione del pannello posteriore



Il pannello di controllo include l'area del display a LED e dei tasti di controllo.

#### 1) Display a LED a 4 cifre

Mostra la modalità operativa e altre informazioni di sistema.

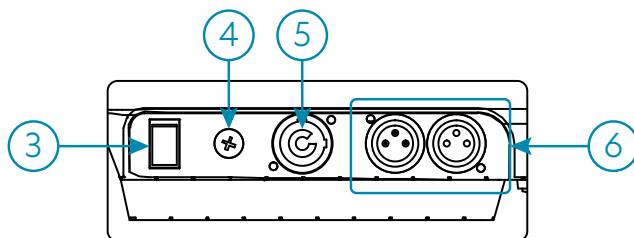
#### 2) Tasti di controllo

**Tasto MENU** - Premere ripetutamente per scorrere le varie pagine di impostazione.

**Tasto UP** - Premere per scorrere i vari menu e i parametri dei menu (indirizzo DMX, modalità operativa, ecc.). Aumenta i valori / Impostazioni dei parametri.

**Tasto Giù** - Premere per scorrere i vari menu e i parametri dei menu (indirizzo DMX, modalità operativa, ecc.). Diminuisce i valori / Impostazioni dei parametri.

**Tasto ENTER** - Premere per accedere ai livelli dei menu e confermare le modifiche del valore dei parametri.



#### 3) Interruttore On/Off

E' il tasto di accensione e spegnimento del proiettore.

#### 4) Porta Fusibile

Porta fusibile con fusibile F5AL / 250 V (5 x 20 mm). In caso di bruciatura del fusibile, per prevenire il rischio di incendio e di danneggiare l'unità, utilizzare solo un tipo

di fusibile consigliato come descritto. Prima di sostituire il fusibile, assicurarsi che l'unità sia spenta e scollegata dalla presa di corrente.

## 5) Prese di Alimentazione

Collegare il cavo di alimentazione in dotazione a una presa di corrente adatta a questa apparecchiatura. Leggere la sezione "5.2. Connessioni di Rete" a pagina 26 per dettagli.


## 6) Prese di ingresso/uscita DMX

L'ingresso DMX è una presa XLR maschio a 3 pin per la connessione a una centralina di controllo DMX. L'uscita DMX è presa femmina a 3-PIN per l'invio del segnale di controllo DMX ad altri fari.


## 5.2 Connessioni di Rete

- Assicurarsi sempre che la tensione della presa a cui si collega il prodotto sia nell'intervallo indicato nel paragrafo "9 - Specifiche Tecniche" a pagina 33 (AC110V-240V; 50/60Hz).
- Assicurarsi che il cavo di alimentazione non sia spellato o danneggiato. Non collegare mai questo prodotto a un Dimmer Pack o un Variatore di Tensione.
- Non scollegare mai il prodotto dal cavo di rete tirando o tirando il cavo.
- Per evitare scosse elettriche, tutti gli apparecchi devono essere collegati a circuiti con interruttore automatico.
- La corrispondenza dei fili interni al cavo è la seguente:

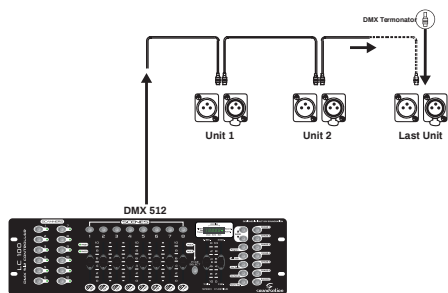
Colore Filo (EU)	Funzione	Nomenclatura Internazionale
Marrone	Fase	L
Blu	Neutro	N
Giallo/Verde	Terra	⊕

 **La Terra deve essere collegata! Prima di mettere in funzione per la prima volta, far approvare l'installazione da un esperto.**

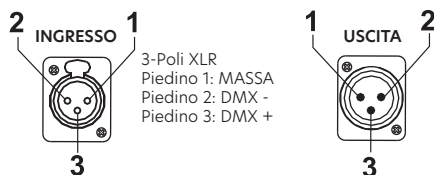
## 5.3 Connessioni DMX

 **Quando si utilizza un controller DMX, assicurarsi che non vi siano fonti di interferenza (interfono, onde radio ad alta frequenza e sorgenti di radiazioni).**

Gli apparecchi DMX sono progettati per ricevere dati attraverso una catena seriale a cascata. Questo tipo di connessione permette di collegare il DMX OUT di un dispositivo al DMX IN del dispositivo successivo. L'ordine in cui i fari sono collegati non è importante e non ha alcun effetto su come una centralina comunica a ciascun proiettore. Utilizzare un ordine che preveda il cablaggio più semplice e diretto.



#### Uso dei 3-Piedini nei Connettori XLR per DMX



Collegare i dispositivi utilizzando un cavo bipolare schermato a 2 conduttori con connettori XLR maschio-femmina a 3 poli. La connessione dello schermo è il piedino 1, mentre il piedino 2 è negativo (S-) e il piedino 3 è positivo (S+).

**⚠ ATTENZIONE:** 1 fili non devono entrare in contatto l'uno con l'altro; altrimenti i dispositivi non funzioneranno affatto o non funzioneranno correttamente.

## 5.4. Terminatore DMX

Terminatore DMX



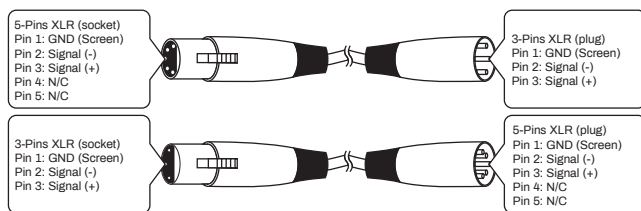
DMX è un protocollo di comunicazione resiliente, tuttavia si potrebbero verificare occasionalmente degli errori. I terminatori riducono gli errori di segnale; è quindi consigliabile usarle quando si verificano problemi con comportamenti irregolari degli apparecchi; specialmente se la lunghezza dei cavi DMX è elevata.

Il terminatore DMX è un connettore XLR con un resistore da 120Ω (ohm), 1/4 Watt collegato attraverso il segnale (-) e il segnale (+), rispettivamente, i pin 2 e 3, che viene quindi inserito nella presa di uscita sull'ultimo proiettore nella catena. Le connessioni sono illustrate di seguito.

**⚠ Un cavo di segnale DMX standard può trasmettere segnali a 20 unità al massimo. E' necessario un amplificatore di segnale per collegare più apparecchi.**

## 5.5. Cavi DMX 3-Poli/5-Poli

I protocolli di connessione DMX utilizzati dai produttori di centraline, teste mobili e fari non sono standardizzati in tutto il mondo. Tuttavia, due sono gli standard più comuni: XLR a 5 poli e sistema XLR a 3 poli. Se si desidera collegare questo proiettore a un dispositivo di ingresso XLR a 5 poli è necessario utilizzare un cavo adattatore o farlo da soli seguendo la corrispondenza di cablaggio tra gli standard di spina e presa a 3 e 5 poli



## 6 - FUNZIONAMENTO DEI MENU

Premendo il tasto MENU, il display scorrerà attraverso 13 menù diversi. Premere il tasto ENTER per accedere al menu corrispondente, premere SU o GIÙ per modificare il valore del parametro corrente. Quindi, premere nuovamente il pulsante ENTER per salvare il valore corrente.

No.	Menu	Funzione
1	d11-	Modo DMX a 11 canali. Regola l'indirizzo DMX512 da 001 a 512.
2	d.6--	Modo DMX a 6 canali. Regola l'indirizzo DMX512 da 001 a 512.
3	r---	Regolazione dell'intensità del Rosso: 0-255
4	g---	Regolazione dell'intensità del Verde: 0-255
5	b---	Regolazione dell'intensità del Blu: 0-255
6	n---	Regolazione dell'intensità del Bianco: 0-255
7	pr--	Preset interni da pr01 a pr25: pr01: ROSSO                      pr10: ROSA                      pr18: VERDE ACQUA pr02: VERDE                      pr11: VIOLA                      pr19: VERDE CHIARO pr03: BLU                            pr12: VIOLETTO                      pr20: BIANCO FREDDO pr04: VERDE LIMONE            pr13: BLU POLVERE                      pr21: BIANCO FR. CHIARO pr05: VERDE OLIVA            pr14: AZZURRO                      pr22: BIANCO PURO pr06: GIALLO                      pr15: BLU CIELO                      pr23: BIANCO VIOLA pr07: ROSSO CONGO            pr16: CIANO CHIARO                      pr24: BIANCO CREMA pr08: ARANCIO CHIARO        pr17: VERDE SCURO                      pr25: BIANCO CALDO pr09: ROSSO VINO
8	F---	DA F000 A F255: Strobo da lento a veloce (il colore è controllato da quelli impostati con i valori r---, g---, b---, n---)
9	C---	Da C000 a C255: Colori sfumati da lento a veloce
10	J---	Da J000 a J255: Cambia-colori da lento a veloce
11	S---	Da S000 a S255: Controllo Vocale da lento a veloce
12	T---	Ton: Controllo della Temperature ON; Toff: controllo della temperatura OFF
13	dr--	dr-0: curva dimmer standard; dr-1: curva dimmer 1; dr-2: curva dimmer 2; dr-3: curva dimmer 3; dr-4: curva dimmer 4

### 6.1 Impostazione dell'indirizzo DMX.

Quando si seleziona l'indirizzo DMX ci si riferisce sempre a quello iniziale e occorre considerare il numero di canali DMX che occupa il proiettore. Se si sceglie un indirizzo iniziale troppo alto, è probabile che si limiti l'accesso ad alcuni dei canali del faro. Clubwasher 360 utilizza 6 o 11 canali DMX (in base alla modalità DMX scelta), che definiscono, rispettivamente, il più alto indirizzo configurabile a 505 o 485 per

controllare tutti i canali possibili.

Impostare l'indirizzo DMX iniziale tra 001 - 505 per controllare fino a 85 proiettori in modalità a 6 canali. Impostare l'indirizzo DMX iniziale tra 001 - 485 per controllare fino a 45 fari in modalità a 11 canali.

## 6.2 Assegnazioni e valori dei canali DMX

Quando si utilizza il controllo DMX, il sistema richiede 6 o 11 canali. Di seguito è possibile visualizzare le assegnazioni del canale per entrambe le modalità.

### 1) Tabella DMX512 in modalità 11-canali

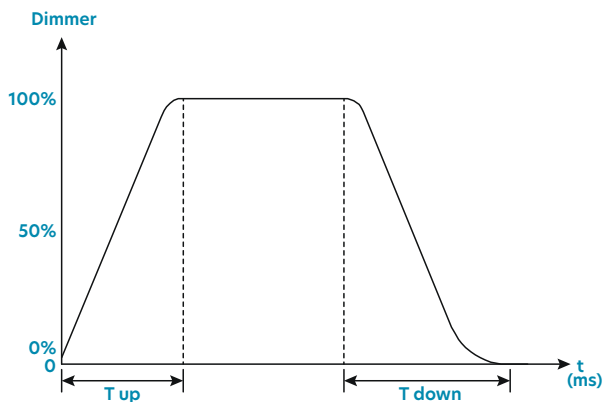
CH	Funzione	Descrizione		
CH1	Dimmer	0-255: Regolazione Dimmer Generale, da Min. a Max.		
CH2	Rosso	0-255: Regolazione Dimmer Rosso, da Min. a Max.		
CH3	Verde	0-255: Regolazione Dimmer Verde, da Min. a Max.		
CH4	Blu	0-255: Regolazione Dimmer Blu, da Min. a Max.		
CH5	Bianco	0-255: Regolazione Dimmer Bianco, da Min. a Max.		
CH6	Strobo	0-5: N/C 6-55: Strobo random	106-155: strobo medio 56-105: strobo a impulsi	156-205: strobo a fulmine 206-255: strobo standard
CH7	Color Mix	0-1: N/C 2-43: Rosso da scuro a chiaro 44-85: Rosso da chiaro a scuro; verde da scuro a chiaro 86-127: Verde da chiaro a scuro; blu da scuro a chiaro 128-169: Rosso da scuro a chiaro; blu chiaro pieno 170-211: Rosso pieno; verde da scuro a chiaro; blu pieno 212-254: RGB pieni, Bianco da scuro a chiaro 255: RGBW pieni		
CH8	Color Preset	0-5: N/C 6-15: Rosso 16-25: Verde 26-35: Blu 36-45: Verde Lime 46-55: Verde Oliva 56-65: Giallo 66-75: Rosso Congo 76-85: Arancio chiaro	86-95: Rosso vino 96-105: Rosa 106-115: Viola 116-125: Violetto 126-135: Blu polvere 136-145: Azzurro 146-155: Blu cielo 156-165: Ciano chiaro 166-175: Verde scuro	176-185: Verde acqua 186-195: Verde chiaro 196-205: Bianco Freddo 206-215: Bianco Freddo Chiaro 216-225: Bianco Puro 226-235: Bianco-violaceo 236-245: Bianco-crema 246-255: Bianco caldo
CH9	Contollo Auto/Sound	0-10: N/C 11-40: Sfumato 1 41-70: Sfumato 2	71-100: Sfumato 3 101-130: Cambia-colori 1 131-160: Cambia-colori 2;	161-190: Cambia-colori 3 191-220: Strobo con contr. Audio 221-255: Cambia-colori da Audio
CH10	Vel. Auto	0-255: Velocità esecuzione automatica, da lento a veloce		
CH11	Dimmer Curve	0-20: Curva dimmer standard 21-40 Curva dimmer 1 41-60: Curva dimmer 2 61-80: Curva dimmer 3 81-100: Curva dimmer 4 101-149: N/C 150-155 (tenere 3 sec): Funzione mezza-potenza se superato limite temp. in OFF 156-199: N/C 200-205 (tenere 3 sec): Funzione mezza-potenza se superato limite temp. in ON 206-255 N/C		

## 2) Tabella DMX512 in modalità 6-canali

CH	Funzione	Descrizione
CH1	Dimmer	0-255: Regolazione Dimmer Generale, da Min. a Max.
CH2	Rosso	0-255: Regolazione Dimmer Rosso, da Min. a Max.
CH3	Verde	0-255: Regolazione Dimmer Verde, da Min. a Max.
CH4	Blu	0-255: Regolazione Dimmer Blu, da Min. a Max.
CH5	Bianco	0-255: Regolazione Dimmer Bianco, da Min. a Max.
CH6	Strobo	0-255: Regolazione Strobo da lento a veloce

### 6.3 Curve dimmer

Clubwasher 360 offre 5 curve di Dimmer (normale + 4 curve) con tempi diversi per T-Up e T-Down (vedere l'immagine qui sotto e la successiva tabella). Queste consentono di adattare il controllo del dimmer a varie applicazioni (ad esempio, teatro, studio fotografico, musica dal vivo, ecc.).



Per selezionare le curve, premere MENU fino a raggiungere la pagina "dr--". Premere ENTER; si vede il valore corrente. Quindi premere UP o DOWN per scegliere tra 0 e 4. Premere INVIO per confermare e MENU per tornare alla selezione delle pagine del menu.

Curva	Menu	T-up (ms)	T-down (ms)
Curva Dimmer Standard	dr-0	0	0
Curva Dimmer 1	dr-1	980	1010
Curva Dimmer 2	dr-2	1210	1320
Curva Dimmer 3	dr-3	1600	1710
Curva Dimmer 4	dr-4	1850	1980

## 6.4. Controllo della temperatura dei LED

Clubwasher 360 è dotato di un processore digitale che controlla la velocità della ventola e il consumo di energia dei LED. E' possibile scegliere tra ON e OFF.

Selezionare la modalità desiderata premendo il pulsante MENU finché non raggiungono la pagina "T ...". Premere INVIO quindi premere UP o DOWN per scegliere tra "Ton" o "Toff". Premere INVIO per confermare e MENU per tornare alla selezione delle pagine dei menu.

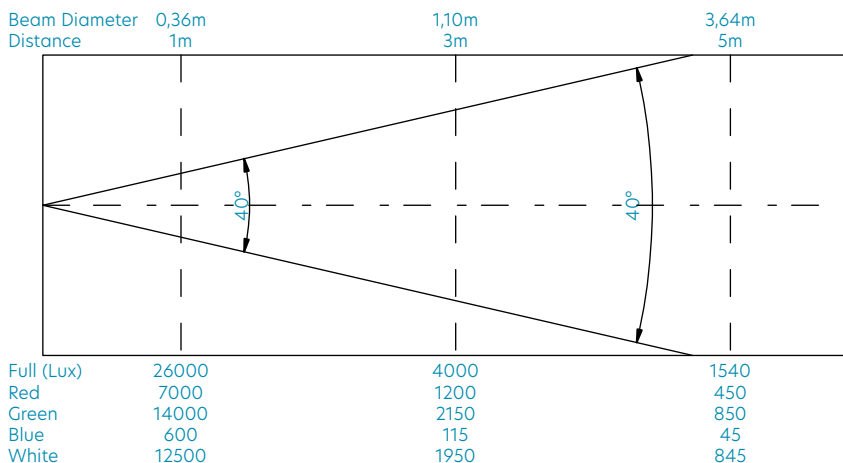
**Ton** consente al processore interno di controllare il consumo di corrente dei LED e regolare la luminosità per mantenere sempre raffreddati i chip. La riduzione della luminosità inizia quando la temperatura supera gli 80°C (riduzione del 50%). Quando la temperatura scende al di sotto di 65°C, il processore ripristina il 100% di consumo energetico.

**Toff** disattiva la funzione di controllo del consumo di energia dei LED e la velocità della ventola è sempre al massimo.

## 6.5. Modalità Master/Slave

Nel caso in cui sia necessario controllare più Clubwasher 360 simultaneamente (tutti gli apparecchi funzionano esattamente allo stesso modo) senza l'uso di un controller DMX, è possibile utilizzare la funzione master/slave. Non esiste alcuna funzione specifica da attivare sul display, semplicemente l'unità master deve essere collegata per prima; tutte le altre vanno collegate in cascata attraverso le connessioni DMX IN-OUT. Tutte le unità (master e slave) devono essere sullo stesso canale DMX e avere la stessa modalità DMX attiva (tutti 6CH o 11CH).

## 7 - GRAFICO DEI LUX



## 8 - RISOLUZIONE DEI PROBLEMI

Problema	Probabile Causa(e)	Rimedio
Nessuna risposta dal dispositivo quando si applica l'alimentazione.	Nessuna alimentazione al proiettore.	Controllare il cavo di alimentazione.
		Controllare la spina
Il proiettore non si accende correttamente.	Problema elettrico interno.	Contattare il Servizio di Assistenza.*
Nessuna luce o il LED si funziona a intermittenza o si brucia troppo velocemente.	LED disconnesso or bruciato.	Scollegare il proiettore e sostituire il LED.
	Il proiettore o il LED sono molto caldi.	Fate raffreddare il proiettore. Se il problema persiste, contattate il servizio assistenza.*
L'apparecchio si accende ma non risponde correttamente alla centralina DMX	Centralina ono collegata.	Collegare la centralina.
	Canali DMX errati	Controllare i canali DMX sul proiettore e sulla centralina.
	Errore di trasmissione dei dati.	Controllate che i cavi siano collegati correttamente e che siano integri.
	Conflitto fra controllo nella scena e impostazioni DMX di controllo della centralina.	Eliminare conflitti tra scene, cross-fade e altri controlli assegnati dalla centralina al canale DMX.
	Connessione DMX con terminata.	Inserire un terminatore in uscita all'ultimo proiettore nella catena. **
	Proiettore difettoso tra 2 unità impostate in modo corretto nella catena.	Bypassate tutti i fari uno alla volta, finché il problema non scompare. Per bypassare, basta scollegare i cavi DMX in ingresso e uscita dall'unità e collegarli fra di loro.

\* Per contattare il Servizio Assistenza Centolight, consultare il paragrafo "" a pagina 33 o visitate il sito [www.centolight.com](http://www.centolight.com)

\*\* Per istruzione su come installare un terminatore DMX, vedere "5.4. Terminatore DMX" a pagina 27.



## 9 - SPECIFICHE TECNICHE

Sorgente luminosa	36 LED x 10W RGBW 4in1
Angolo della lente	45°
CRI	Ra≥80
Dimmer	Elettronico Lineare 0-100% con 5 curve (1 standard + 4 con diversi Tempi di Attacco/Rilascio)
Dimmer Frequenza di Controllo	25kHz (Flicker-Free)
Modalità di controllo	DMX512 / Manuale / Master-Slave / Suono
Strobo	0~30 Hz
Modalità DMX	11CH / 6CH (selezionabile)
Programmi integrati	5 Strobo + 6 Auto + 2 Controllo Vocale
Sistemi di raffreddamento	rilevamento della temperatura e protezione dal surriscaldamento (quando la temperatura raggiunge gli 80°C, il consumo di energia si riduce al 50%; quando la temperatura scende a 65°C, recupera il pieno consumo di energia al 100%)
Velocità della ventola	controllata dal processore in base alla temperatura interna
Rumore della ventola	Max 43dB @1 m
Classificazione IP	IP20
Connessioni DMX	XLR In/Out a 3 pin
Connessioni di alimentazione	Powercon In/Out
Tensione	AC110 V/240 V - 50/60 Hz.
Consumo energetico massimo	350W
Materiale dell'alloggiamento	Acciaio
Alette	Alette richiudibili e rimovibili incluse
Dimensioni del faro	430 x 220 x 84 mm - 16.93 x 8.66 x 3.31 in
Peso netto del faro	4,5kg - 9.92 lbs. (6,2 kg - 13,67 lb con alette richiudibili)
Dimensioni della confezione	515 x 190 x 345 mm - 20.27 x 7.48 x 13.58 in
Peso lordo	7,9 kg - 17.42 lbs.

*Nota: i nostri prodotti sono soggetti a un processo di sviluppo continuo. Pertanto le modifiche alle caratteristiche tecniche restano soggette a modifiche senza preavviso.*

## 10 - GARANZIA E ASSISTENZA

Tutti i prodotti Centolight sono coperti da garanzia di due anni. Essa è valida dalla data di acquisto, come indicato dal documento di acquisto. I seguenti casi/componenti non sono coperti dalla garanzia di cui sopra:

- Tutti gli accessori forniti con il prodotto
- Uso improprio
- Guasto dovuto all'usura
- Ogni modifica del prodotto effettuata dall'utente o da terzi

Centolight soddisfa gli obblighi di garanzia dovuti a eventuali materiali non conformi o difetti di fabbricazione, rimediando gratuitamente e a discrezione di Centolight, sia mediante riparazione o sostituendo singole parti o l'intero apparecchio. Eventuali parti difettose rimosse da un prodotto durante il corso di una richiesta di garanzia diventano di proprietà di Centolight.

Durante il periodo di garanzia, i prodotti difettosi possono essere restituiti al rivenditore Centolight con prova di acquisto originale. Per evitare danni durante il trasporto, si prega di utilizzare l'imballo originale (se disponibile). In alternativa, inviare il prodotto a SERVICE CENTER Centolight - Via Enzo Ferrari, 10 - 62017 Porto Recanati - Italia. Per inviare un prodotto al centro di assistenza è necessario un numero di RMA. Le spese di trasporto devono essere coperte dal proprietario del prodotto.

Per ulteriori informazioni visitate il sito [www.centolight.com](http://www.centolight.com)

## 11 - AVVISO UE E SEE (NORVEGIA, ISLANDA, LIECHTENSTEIN)



**LEGGETE ATTENTAMENTE** - Questo simbolo indica che il prodotto non deve essere smaltito con i rifiuti domestici, in base alla direttiva RAEE (2202/96/CE) e legislazione nazionale.

Il prodotto deve essere consegnato a un centro di raccolta differenziata o, in caso di ritiro dell'usato quando si acquista un nuovo prodotto simile, ad un rivenditore autorizzato per il riciclaggio di apparecchiature elettriche ed elettroniche (WEEE).

Un uso improprio di questo tipo di rifiuti può avere un impatto negativo sull'ambiente e sulla salute umana a causa di sostanze potenzialmente pericolose che sono generalmente associate alle apparecchiature elettriche ed elettroniche. Allo stesso tempo, la vostra collaborazione per il corretto smaltimento di questo prodotto contribuirà a un utilizzo efficace delle risorse naturali.

Per ulteriori informazioni sui punti di raccolta delle apparecchiature da rottamare, contattate il comune, l'autorità di gestione dei rifiuti, strutture coinvolte nel sistema RAEE o il servizio di smaltimento dei rifiuti domestici.



[www.centolight.com](http://www.centolight.com)



---

This product is imported in EU by  
Questo prodotto viene importato nella UE da

**FRENEXPORT SPA - Via Enzo Ferrari, 10 - 62017 Porto Recanati - Italy**

CentoLight® is a registered trademark of FRENEXPORT SPA - Italy  
CentoLight® è un marchio di fabbrica registrato di FRENEXPORT SPA - Italia



[www.centolight.com](http://www.centolight.com)