



PLOT 200FZ

Fresnel Light with 200W COB LED and Motorized Zoom
Faro Fresnel con LED COB da 200W e Zoom Motorizzato

User Manual

Manuale Utente

Carefully read this manual and properly take care of it
Leggete questo manuale e conservatelo per future consultazioni



Dear customer,

First of all thanks for purchasing a CENTOLIGHT® product. Our mission is to satisfy all possible needs of light designers and professionals of entertainment lighting, by offering a wide range of products based on the latest technologies.

We hope you will be satisfied with this fixture and, if you want to collaborate, we are looking for a feedback from you about product operation and possible improvements to be introduced in the next future. Go to our website www.centolight.com and send an e-mail with your opinion; this will help us to build equipment ever closer to professional's real requirements.

The CENTOLIGHT Team

Gentile Cliente,

Grazie per aver scelto un prodotto CENTOLIGHT®. La nostra missione è quella di soddisfare ogni possibile richiesta da parte di light designers e professionisti dell'illuminotecnica per l'intrattenimento, offrendo una vasta gamma di apparecchiature basate su tecnologie di ultima generazione.

Speriamo di aver soddisfatto le vostre aspettative e, se voleste collaborare, saremo lieti di ricevere un vostro feedback sulla qualità del prodotto al fine di migliorare costantemente la nostra produzione. Visitate il nostro sito www.centolight.com ed inviateci una mail con la vostra opinione; questo ci aiuterà a sviluppare nuovi prodotti quanto più vicini alle vostre esigenze.

Il Team CENTOLIGHT

TABLE OF CONTENTS

1 - Before you Begin	4
1.1. What is included- - - - -	4
1.2. Unpacking Instructions - - - - -	4
1.3. Accessories - - - - -	4
1.4. Disclaimer - - - - -	4
2 - Safety Instructions	5
2.1. Symbols Meaning - - - - -	5
3 - Mounting and Rigging	5
3.1. Rigging - - - - -	6
3.2. Water / Moisture - - - - -	6
3.3. Heat - - - - -	6
3.4. Servicing - - - - -	7
4 - Introduction	7
4.1. Features - - - - -	7
4.2. Product Dimensions and Overview - - - - -	8
5 - Product Setup	8
5.1. Rear Panel Description- - - - -	8
5.2. About Power Connection - - - - -	10
5.3. About Dmx Connection - - - - -	10
5.4. DMX Terminator - - - - -	11
5.5. 3-Pin vs 5-Pin DMX cables - - - - -	11
6 - Menu Operation	12
6.1. Setting the DMX Address - - - - -	12
6.2. DMX Channel Assignments and Values - - - - -	12
7 - Lux Chart	13
8 - Troubleshooting	14
9 - Specification	15
10 - Warranty And Service	16
11 - Warning	16

1 – BEFORE YOU BEGIN

Thank you for purchasing PLOT 200FZ. Enjoy your new equipment and make sure to read this manual carefully before operation! This user manual is made to provide both an overview of controls, as well as information on how to use them.

1.1. What is included

Package include:

- 1x CENTOLIGHT PLOT 200FZ Fresnel Light
- 1x 1.5m (59in ca.) Powercon to Europlug power cable
- 1x Powercon Connector (Grey, for mains link)
- 1X 1.5m (59in ca.) DMX Cable 3-pin XLR-M to 3-pin XLR-F
- This User Manual

⚠ ATTENTION: Packaging bag is not a toy! Keep out of reach of children!!! Keep in a safe place the original packaging material for future use.

1.2. Unpacking Instructions

Carefully unpack the product immediately and check the content to make sure all the parts are in the package and are in good condition. If the box or the contents (the product and included accessories) appear damaged from shipping, or show signs of mishandling, notify the carrier or dealer/seller immediately. In addition, keep the box and contents for inspection. If the fixture must be returned to the manufacturer, it is important that it is returned in the original manufacturer box and packing. Please do not take any action without first contacting your dealer or getting in touch with our after-sales support service (visit www.centolight.com for details).

1.3. Accessories

CENTOLIGHT can supply a wide range of quality accessories that you can use with your PLOT Series equipment, like Cables, Splitters, DMX controllers, and a wide range of other fixtures. Ask your CENTOLIGHT dealer or check out our website www.centolight.com. All products in our catalogue has been long tested with this device, so we recommend you to use Genuine CENTOLIGHT Accessories and Parts.

1.4. Disclaimer

The information and specifications contained in this Manual are subject to change without notice. CENTOLIGHT assumes no responsibility or liability for any errors or omissions and reserves the right to revise or to create this manual at any time.

Copyright© 2021 CENTOLIGHT. All rights reserved.

2 - SAFETY INSTRUCTIONS

- Read these instructions
- Keep these instructions
- Heed all warning
- Follow all instructions

2.1 Symbols Meaning



The symbol is used to indicate that some hazardous live terminals are involved within this apparatus, even under the normal operating conditions, which may be sufficient to constitute the risk of electric shock or death.



The symbol is used to describe important installation or configuration problems. Not following advice and information on how to avoid such problems may lead to product malfunction.



This symbol indicates a protective grounding terminal.

WARNING:

Describes precautions that should be observed to prevent the danger of injury or death to the operator.



To protect the environment, please try to recycle packing material and exhausted consumables as much as possible.



This symbol indicates that the fixture is intended to indoor use only. Keep the machine dry and do not expose to rain and moisture.



Don't throw this product away just as general trash, please deal with the product follow the abandon electronic product regulation in your country.

3 - MOUNTING AND RIGGING

⚠ Pay attention to safety! Please respectively consider the EN 60598-2-17 and the national standard during the installation. Only authorized technicians can carry out the installation.

3.1 Rigging

- The installation of the fixture has to be built and constructed in a way that it can hold 10 times the weight for 1 hour without any harming demolition. The installation must always be secured with a secondary safety attachment, e.g. an appropriate catch net. This secondary safety attachment must be constructed in a way that no part of the installation can fall down if the main attachment fails.
- When rigging, de-rigging or servicing the fixture staying in the area below the installation place, on bridges, under high working places and other endangered areas is forbidden. The operator has to make sure that the safety measure and the machine's technical installation is approved by an expert before taking into operation for the first time and after changes before taking into operation another time. He has also to make sure that an expert approves safety measure and the machine's technical installation once a years.

⚠ IMPORTANT: Overhead rigging requires extensive experience, including (but not limited to) calculating working load limits, installation material being used, and periodic safety inspection of all installation material and the projector. If you lack these qualifications, do not attempt the installation yourself, but instead use a professional structural rigger. Improper installation can result in bodily injury or property loss.

- If the fixture shall be lowered from the ceiling or high joists, professional trussing systems have to be used. The fixture must never be fixed swinging freely in the room.

⚠ CAUTION: Use appropriate clamps to rig the fixture on the truss. Make sure that the device is fixed properly! Ensure that the structure (truss) to which you are attaching the fixtures is secure.

3.2 Water / Moisture

- The product is for indoor use. In order to prevent risk of fire or electric shock, do not expose to rain or moisture
- The unit can not be used near water; for example near a bathtub, a kitchen sink, a swimming pool, etc.

3.3 Heat

- Do not use in a confined space. Always install the product in a location with adequate ventilation, at least 20in (50 cm) from adjacent surfaces. Be sure that no ventilation slots on the product's housing are blocked.

- The apparatus should be located away from heat sources such as radiators, stoves or other appliances that produce heat.



Do not use it when maximum ambient temperature is higher than 50°C Work temperature ranges from -30+55 °C (-22+171 °F).

3.4. Servicing

- Do not implement any servicing other than those means described in the manual. Refer all servicing to qualified service personnel only. The internal components of the equipment must be purchased from the manufacturer. Only use accessories/attachments or parts recommended by the manufacturer.

4 - INTRODUCTION

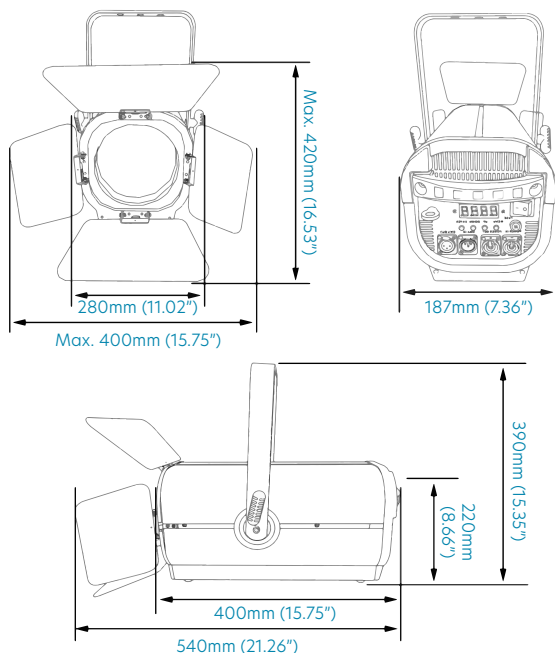
Centolight PLOT 200FZ is a COB LED Fresnel Light with adjustable light beam from 15° and 50° via motorized zoom. It is designed to satisfy all those applications where warm-white light (3,200K) and excellent color rendering are required, especially in indoor venues like TV studios (flicker-free operation), theaters and others.

Low noise is guaranteed by the quality of cooling fan and as well as the internal processor that allows the best balance between LED temperature and fan noise, always within 20dB @ 1m. The fixture is equipped with rotatable barndoor.

4.1 Features

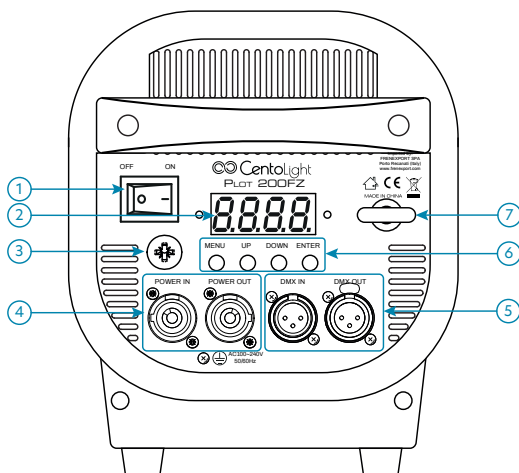
- LED Fresnel Light with 15°-50° Motorized Zoom
- 200W Warm-White COB LED with over 50,000h lifetime
- 3200K Color Temperature
- Ø130mm (5.1in) Fresnel Lens
- Zoom Range from 15° to 50°
- 2430-832lux/5m (15°-50°) Luminous Flux
- CRI 90
- Smooth 16-bit Dimmer
- Flicker-Free Operation
- Low-Noise Cooling System
- Rotatable Barndoor Included

4.2. Product Dimensions and Overview



5 - PRODUCT SETUP

5.1. Rear Panel Description



The operation panel includes Connectors, security eye-bolt, 4-digit LED display and control buttons.

1) Power On/Off

It switches on and off the unit.

2) LED Display

It shows the operating mode and all system information. Read "6 - Menu Operation" on page 12 for details on all menus.

3) Fuse Holder

Fuse holder with F5AL/250 V fuse (5x20mm). In case of fuse burn, to prevent the risk of fire and damaging the unit, please replace only with fuse of same value.

4) Power Input/Output Sockets

Plug the power-cord included with PLOT 200FZ into an AC socket properly configured for this fixture. Please read "5.2. About Power Connection" on page 10 for details. This fixture is also equipped with an output power connector to be used as power mains source in case of **cascade connection up to a maximum of 5 fixtures**.

5) DMX Input/Output Sockets

DMX Input is a 3-pin male XLR socket for connection to a DMX control device. DMX output is a 3-pin female socket for sending the DMX control signal to other units. Please read "5.3. About Dmx Connection" on page 10 for details on how to manage DMX connections.

6) Control Buttons

MENU Button - Short-press it to switch the setting pages.

UP Button - It scrolls up individual items in the selection menu and sub-menus for system settings (DMX address, Operation Mode, etc.), and increases values/settings of parameters.

DOWN Button - It scrolls down individual items in the selection menu and sub-menus for system settings (DMX address, Operation Mode, etc.), and increases values/settings of parameters.

ENTER Button - Press ENTER to access menu levels and confirm parameter value changes.

7) Security Eye-Bolt

In case of rigging, hook a safety cable here. This eye-bolt is intended as a secondary safety attachment, to prevent damages in the event of fall down if the main attachment (C-Bracket) fails.

5.2. About Power Connection

- Always make sure that the voltage of the outlet you are connecting the product to is within the range stated in paragraph "9 - Specification" on page 15 or rear panel of the product (AC110V-240V 50/60Hz).
- Make sure the power cord is not crimped or damaged. Never connect this product to a dimmer pack or rheostat.
- Never disconnect the product from power cord by pulling or tugging on the cord.
- To avoid electric shock, all fixtures must be connected to circuits with a suitable ground and circuit breaker.
- Wire correspondence is as follows:

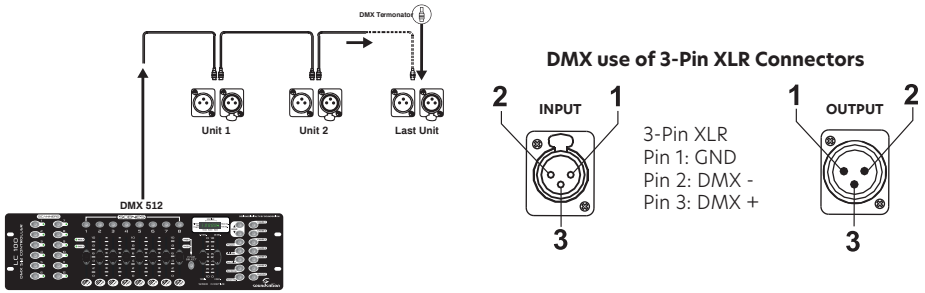
Cable (EU)	Pin	International
Brown	Live	L
Blue	Neutral	N
Yellow/Green	Earth	⊕

⚠ Earth must be connected! Always pay attention to safety! Before taking into operation for the first time, the installation has to be approved by an expert.

5.3. About Dmx Connection

⚠ When use a DMX controller, please make sure that there is no interference sources (e.g. intercom, high frequency radio waves and radiation source).

DMX machines are designed to receive data through a serial Daisy Chain. A Daisy Chain connection is where the DATA OUT of one fixture connects to the DATA IN of the next fixture. The order in which the machines are connected is not important and has no effect on how a controller communicates to each of them. Use an order that provides for the easiest and most direct cabling.

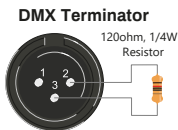


Connect machines using shielded 2-conductor twisted pair cable with 3-pin XLR male to female connectors. The shield connection is pin 1, while pin 2 is Data Negative (S-), and pin 3 is Data positive (S+).

⚠ CAUTION: Wires must not come into contact with each other, otherwise the fixtures will not work at all, or will not work properly.

5.4. DMX Terminator

DMX is a resilient communication protocol, however errors still occasionally occur. In order to prevent electrical noise from disturbing and corrupting the DMX control signals, a good habit is to connect DMX output of last fixture in the chain to a DMX terminator, especially over long signal cable runs.

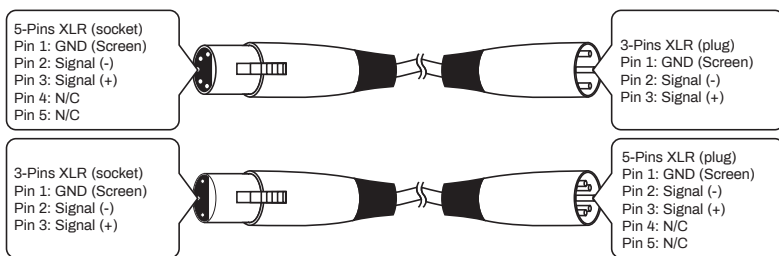


The DMX terminator is simply an XLR connector with a 120Ω (ohm), 1/4 Watt resistor connected across Signal (-) and Signal (+), respectively, pins 2 and 3, which is then plugged into the output socket on last projector in the chain. The connections are illustrated below.

⚠ Complimentary signal cable can transmit signals to 20 unit fixtures at most. Signal amplifier is a must to connect more fixtures.

5.5. 3-Pin vs 5-Pin DMX cables

DMX connection protocols used by controllers and fixtures manufacturers are not standardized around the world. However, two are the most common standards: 5-Pin XLR and 3-Pin XLR system. If you wish to connect this fixture to a 5-Pin XLR input fixture, you need to use an adapter-cable or make it by yourself. Below you can see the wiring correspondence between 3-Pin and 5-Pin plug and socket standards



6 - MENU OPERATION

By pressing MENU button, the display will cycle through 8 menus. Press ENTER button to enter the corresponding menu, press UP or DOWN to modify current parameter value. Then, press ENTER button again to save current value.

No.	MENU	Function	Description
1	A001 - A512	DMX512 address setting (3-Ch Mode)	It ranges from 1 to 512. Press UP and DOWN keys to adjust address; press ENTER to confirm.
2	3CH-2CH	DMX512 Channel Mode Selection	You can choose between 2CH and 3CH mode. Press UP and DOWN keys to adjust address; press ENTER to confirm.
3	o000 - o255	Manual Dimmer	It ranges from 0 to 255. Press UP and DOWN keys to adjust address; press ENTER to confirm.
4	t000-t255	Manual Zoom	It ranges from 0 to 255. Press UP and DOWN keys to adjust address; press ENTER to confirm.

6.1 Setting the DMX Address

When selecting a starting DMX address, always consider the number of DMX channels. If you choose a starting address that is too high, you could restrict the access to some of the product channels. PLOT 200FZ uses 2 or 3 DMX channels, which defines the highest configurable address, respectively, to 511 or 508 to have all channels controllable. This allows you to control of up to 256 units in the 2-channel control mode, or 170 units in the 3-channel mode.

6.2 DMX Channel Assignments and Values

Below you can see both the 2-channel and 3-channel DMX assignments.

1) 2-ch DMX512 Channel Chart

CHANNEL	FUNCTION	DESCRIPTION
Channel 1	Dimmer	0-255: Total dimming linear dimming , from Dark to Bright.
Channel 2	Zoom	0-255: Zoom adjustment

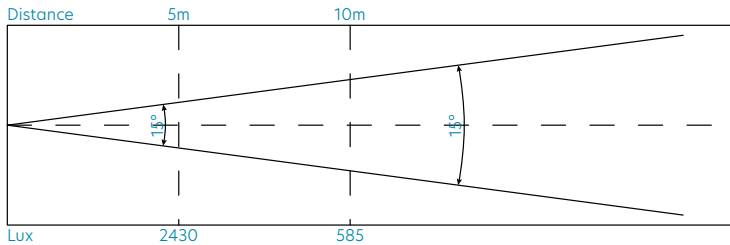
2) 3-ch DMX512 Channel Chart

CHANNEL	FUNCTION	DESCRIPTION
Channel 1	Dimmer	0-255: Total dimming linear dimming , from Dark to Bright.
Channel 2	Strobo	0-255: Strobo speed adjustment
Channel 3	Zoom	0-255: Zoom adjustment

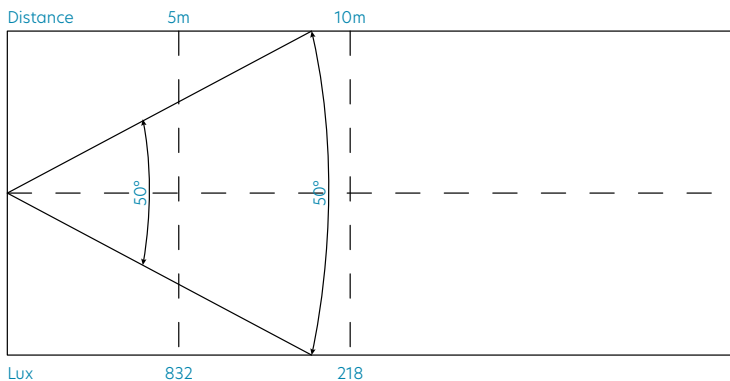
⚠ NOTE: Under DMX condition, without a DMX controller and in daisy-chain connection of multiple Profiles (read paragraph “5.2. About Power Connection” on page 10 to see how to make), you can achieve the Master-Slave mode. It means that the first machine of the chain controls all the other fixtures, and they follow the master one. Of course, both master and slaves must be set on same DMX address.

7 - LUX CHART

1) Lux Chart at 15°



2) Lux Chart at 50°



8 - TROUBLESHOOTING

Problem	Probable Cause(s)	Remedy
No response from fixture when power is applied	No power to fixture	Check power cables
		Check mains plug
Fixture does not reset correctly	Electronic failure	Contact service technician*
No light, LED cuts out intermittently, or burns out too quickly	LED missing or blown	Disconnect fixture and replace the LED
	Fixture or LED is too hot	Allow fixture to cool. If problem persists, contact service technician*
Fixture resets but does not respond correctly to controller (DMX mode operation)	Controller not connected	Connect controller
	Incorrect addressing of the fixtures	Check address setting on fixture and controller
	Bad data link connection	Inspect cables and correct poor connections and/or broken cables.
	Conflict between tracking and vector control	Eliminate scene cross-fade on controller
	Data link not terminated	Insert termination plug in output of last fixture**
	Defective fixture on 2 devices transmitting on link	Bypass fixtures one at a time until normal operation is regained: unplug both connectors and connect them directly together

* To contact Centolight service, see "10 - Warranty And Service" on page 16 or visit www.centolight.com

** For instruction on how to install a DMX terminator, see "5.4. DMX Terminator" on page 11.

9 - SPECIFICATION

Light Source	1x200W Warm-White COB LED
Zoom	Motorized from 15° to 50° (DMX or Manually Controlled)
Chip Life	Over 50,000h
Fresnel Lens	Ø130mm (5.1in)
CCT (Color Temperature)	3100±150K
Luminous Flux	2430 (15°) / 832 (50°) lux @ 5m, 585 (15°) / 218 (50°) lux @ 10m
CRI	Ra≥90
Flicker-Free	LED frequency over 15.000Hz
Beam Angle	15°-50°
Lens Material	High-Quality Glass Fresnel Lens
Dimmer	16-Bit Smooth Linear Dimming
Strobe effect	Yes
Cooling System	Quiet Fan (under 25dB @1m) + Copper Tube
DMX Channel Modes	2/3 Channels (RDM Included)
Control Modes	DMX, Strobe, Master-Slave, Manual Dimming
Control Panel	4 Buttons and LED Display
IP rate	IP20
DMX In/Out	3-pin XLR
Power Socket	Powercon In/Out
Voltage	100~240V 50/60Hz
Fuse	F5AL/250V (5x20mm)
Max Power Consumption	220W
Working Temperature	-30÷55 °C (-22÷171 °F)
Barndoor	Rotatable Barndoor (Included)
Fixture Size (WxDxH)	400x187x220 mm - 17.75x7.36x8.66 in (only fixture, without barn-door and C-Bracket)
Net Weight	6,6kg - 14.55 lbs.
Packing Size (WxDxH)	540x280x280 mm - 21.26x11.02x11.02 in
Packing Weight	7,6kg - 16.75 lbs.

Note: Our products are subject to a process of continual further development. Therefore modifications to the technical features remain subject to change without further notice.

10 - WARRANTY AND SERVICE

All CENTOLIGHT products feature a limited two-year warranty. This two-year warranty starts from the date of purchase, as shown on your purchase receipt. The following cases/components are not covered by this warranty:

- Any accessories supplied with the product
- Improper use
- Fault due to wear and tear
- Any modification of the product effected by the user or a third party

CENTOLIGHT shall satisfy the warranty obligations by remedying any material or manufacturing faults free of charge at CENTOLIGHT's discretion either by repairing or exchanging individual parts or the entire appliance. Any defective parts removed from a product during the course of a warranty claim shall become the property of CENTOLIGHT.

While under warranty, defective products may be returned to your local CENTOLIGHT dealer together with the original proof of purchase. To avoid any damages in transit, please use the original packaging if available. Alternatively, you can send the product to CENTOLIGHT SERVICE CENTER - Via Enzo Ferrari, 10 - 62017 Porto Recanati - Italy. In order to send a product to service center, you need an RMA number. Shipping charges have to be covered by the owner of the product.

For further information please visit www.centolight.com

11 - WARNING

PLEASE READ CAREFULLY - EU and EEA (Norway, Iceland and Liechtenstein) only



This symbol indicates that this product is not to be disposed of with your household waste, according to the WEEE Directive (2012/19/UE) and your national law.

This product should be handed over to a designated collection point, e.g., on an authorized one-for-one basis when you buy a new similar product or to an authorized collection site for recycling waste electrical and electronic equipment (WEEE).

Improper handling of this type of waste could have a possible negative impact on the environment and human health due to potentially hazardous substances that are generally associated with EEE. At the same time, your cooperation in the correct disposal of this product will contribute to the effective usage of natural resources.

For more information about where you can drop off your waste equipment for recycling, please contact your local city office, waste authority, approved WEEE scheme or your household waste disposal service.

SOMMARIO

1 - Prima Di Iniziare	18
1.1. Cosa è Incluso	18
1.2. Istruzioni per il Disimballaggio	18
1.3. Accessori	18
1.4. Limiti di Responsabilità	18
2 - Istruzioni di Sicurezza	19
2.1. Significato dei simboli	19
3 - Installazione Sospesa	19
3.1. Installazione Sospesa	20
3.2. Acqua / Umidità	20
3.3. Calore	20
3.4. Manutenzione	21
4 - Introduzione	21
4.1. Caratteristiche	21
4.2. Dimensioni e Panoramica del Prodotto	22
5 - Setup del prodotto	22
5.1. Descrizione del pannello posteriore	22
5.2. Connessioni di Rete	24
5.3. Connessioni DMX	24
5.4. Terminatore DMX	25
5.5. Cavi DMX 3-Poli/5-Poli	25
6 - Funzionamento dei Menu	26
6.1. Impostazione dell'indirizzo DMX	26
6.2. Assegnazioni e valori dei canali DMX	26
7 - Grafico Dei Lux	27
8 - Risoluzione dei Problemi	28
9 - Specifiche Tecniche	29
10 - Garanzia e Assistenza	30
11 - Avviso UE e SEE (Norvegia, Islanda, Liechtenstein)	30

1 - PRIMA DI INIZIARE

Grazie per aver acquistato PLOT 200FZ. Prima di iniziare, assicuratevi di leggere attentamente questo manuale! Il presente manuale fornisce una panoramica dei controlli e informazioni sul loro utilizzo.

1.1. Cosa è Incluso

La confezione include:

- 1x Faro CENTOLIGHT PLOT 200FZ
- 1X Cavo di Rete da 1.5m (59in circa) con connettore Powercon e Europlug
- 1X Connettore di Rete Powercon (Grigio)
- 1x Cavo da 1,5m (59in circa) DMX XLR 3pin Maschio - XLR 3-pin Femmina
- Questo Manuale d'uso

⚠ ATTENZIONE: La confezione non è un giocattolo! Tenere fuori dalla portata dei bambini! Conservare in un luogo sicuro il materiale di imballaggio originale.

1.2. Istruzioni per il Disimballaggio

Tirare fuori dall'imballo il prodotto con attenzione, controllare il cartone per assicurarsi che tutte le parti siano nella confezione e siano in buone condizioni. Se la confezione o il contenuto (il prodotto e gli accessori inclusi) risultano danneggiati dalla spedizione o mostrano segni di maltrattamento, avvisare immediatamente il vettore o il rivenditore. Inoltre, conservare la scatola e il contenuto per una eventuale ispezione. Se il prodotto dovesse essere restituito al produttore, è importante farlo nell'imballo originale. Si prega di non intraprendere alcuna azione senza prima contattare il rivenditore o il nostro servizio di assistenza (visitare www.centolight.com per i dettagli).

1.3. Accessori

CENTOLIGHT fornisce un'ampia gamma di accessori di qualità che è possibile utilizzare con le apparecchiature della serie PLOT, come cavi, splitter, controller DMX, materiali di consumo e un'ampia gamma di altri fari. Chiedete al vostro rivenditore CENTOLIGHT o visitate il nostro sito web www.centolight.com. Tutti i prodotti nel nostro catalogo sono stati testati a lungo con questo dispositivo, quindi ti consigliamo di utilizzare accessori e ricambi originali CENTOLIGHT.

1.4. Limiti di Responsabilità

Le informazioni e le specifiche contenute in questo manuale utente sono soggette a modifiche senza preavviso. CENTOLIGHT non si assume alcuna responsabilità per eventuali errori od omissioni e si riserva il diritto di rivedere o creare questo manuale in qualsiasi momento.

Copyright© 2021 CENTOLIGHT. Tutti i diritti riservati.

2 - ISTRUZIONI DI SICUREZZA

- Leggete queste istruzioni
- Conservate queste istruzioni
- Prestate attenzione a tutti gli avvertimenti
- Seguite tutte le istruzioni

2.1 Significato dei simboli



Questo simbolo viene utilizzato per indicare che all'interno di questo apparecchio sono presenti terminali sotto tensione, anche in condizioni operative normali, che possono essere sufficienti a costituire il rischio di scosse elettriche o morte.



Questo simbolo è usato per descrivere importanti problemi di installazione o configurazione. Il mancato rispetto dei consigli e delle informazioni su come evitare tali problemi può portare al malfunzionamento del prodotto.



Questo simbolo indica un terminale di messa a terra.

ATTENZIONE

Descrive precauzioni da osservare per prevenire lesioni o morte dell'operatore.



Per proteggere l'ambiente, cercare di riciclare il più possibile il materiale di imballaggio e i materiali di consumo esauriti



Questo simbolo indica che il dispositivo può essere usato solo all'interno. Tenere asciutto il faro e non esporre a pioggia e umidità



Non gettare questo prodotto come spazzatura generica, conferire il prodotto seguendo le normative sui rifiuti elettronici in vigore nel vostro paese.

3 - INSTALLAZIONE SOSPESA

⚠ Prestare attenzione alla sicurezza! Si prega di fare sempre riferimento alla direttiva EN 60598-2-17 e agli standard nazionali in fase di installazione. Solo personale autorizzato può eseguire l'installazione.

3.1. Installazione Sospesa

- L'installazione del dispositivo deve essere progettata e costruita in un modo che possa sopportare 10 volte il peso per 1 ora, senza alcun cedimento o danneggiamento della struttura. L'installazione deve essere sempre protetta con un dispositivo di sicurezza secondario, ad esempio un cavo di sicurezza. Questo dispositivo deve essere realizzato in un modo tale che nessuna parte del prodotto possa cadere se il fissaggio principale cedesse.
- Durante le operazioni di montaggio, smontaggio o manutenzione del faro è vietato consentire lo stazionamento o anche solo il passaggio nell'area sottostante l'installazione. L'operatore deve assicurarsi che l'installazione e i sistemi di sicurezza siano approvati da un esperto prima di avviare per la prima volta il funzionamento dopo aver apportato qualsiasi modifica. Deve inoltre assicurarsi che un esperto approvi nuovamente l'installazione e i dispositivi di sicurezza ogni anno.

⚠ IMPORTANTE: il montaggio su strutture sospese richiede un'esperienza specifica; tra cui (ma non soltanto) il calcolo dei limiti di carico di lavoro, la scelta del materiale di installazione e l'ispezione periodica del proiettore e dei dispositivi di sicurezza. Se non si dispone di tali qualifiche, è bene non procedere con l'installazione da soli, ma si consiglia di rivolgersi a professionisti specializzati. L'installazione impropria può provocare lesioni personali anche molto gravi.

- Se il faro deve essere alzato verso/o abbassato dal soffitto o da travi sospese, è consigliabile usare sistemi di tralici professionali. L'apparecchio non deve mai essere lasciato oscillare liberamente.

⚠ ATTENZIONE: utilizzare i morsetti appropriati per montare l'apparecchio sul traliccio. Assicurarsi che il dispositivo sia fissato correttamente e che il traliccio stesso sia sicuro.

3.2. Acqua / Umidità

- Il prodotto è per uso interno. Al fine di prevenire il rischio di incendio o scosse elettriche, non esporre a pioggia o umidità
- L'unità non può essere utilizzata vicino all'acqua; ad esempio vicino a una vasca da bagno, un lavello da cucina, una piscina, ecc.

3.3. Calore

- Non usare in uno spazio ristretto. Installare sempre in una posizione con un'adeguata ventilazione, almeno 20" (50 cm) da superfici adiacenti. Assicurarsi che nessuna fessura di ventilazione sull'alloggiamento del prodotto sia bloccato.

- L'apparecchio deve essere posto lontano da fonti di calore come radiatori, stufe o altri apparecchi che producono calore.



Non usarlo quando la temperatura massima ambientale è superiore a 50 °C. La temperatura ottimale di lavoro va da -20 °C a 50 °C (da -4 °F a 122 °F).

3.4. Manutenzione

- Non effettuare alcuna manutenzione diversa da quelle descritte nel presente manuale. In caso di ulteriori manutenzioni, rivolgersi a personale specializzato. Eventuali componenti interni devono essere acquistati da rivenditori specializzati. Utilizzare solo accessori o parti raccomandate dal produttore.

4 - INTRODUZIONE

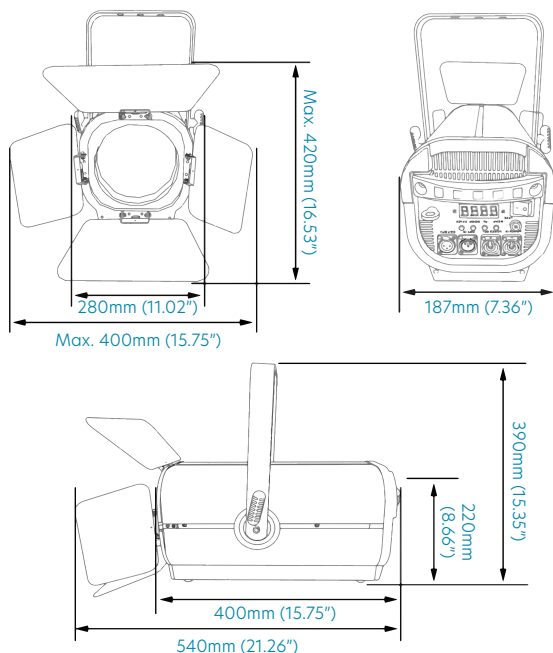
Centolight PLOT 200FZ è un faro Fresnel a LED COB con fascio luminoso regolabile tra 15° e 50° tramite zoom motorizzato. Nasce per soddisfare tutte quelle applicazioni teatrali e installazioni fisse dove è richiesta un'illuminazione Bianca Calda (3.200K) e allo stesso tempo una ottima resa cromatica, soprattutto in luoghi al chiuso come studi televisivi (funzionamento flicker-free), teatri, ecc.

La bassa rumorosità è garantita dalla qualità della ventola di raffreddamento e dal controllo tramite processore che garantisce il miglior equilibrio tra temperatura e rumorosità, sempre comunque mantenuta entro i 20dB @ 1m di distanza. Il faro è dotato di alette frontali richiudibili e ruotabili.

4.1. Caratteristiche

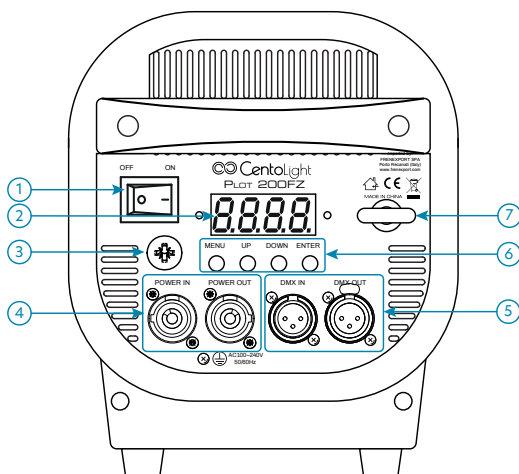
- Faro Fresnel con Zoom da 15°-50° Motorizzato
- LED COB da 200W Bianco-Caldo con oltre 50.000h di durata
- Temperatura Colore di 3200K
- Lente Fresnel da Ø130mm (5.1in)
- Zoom da 15° a 50°
- Flusso luminoso (15 ° -50 °): 2430-832LUX / 5M
- CRI 90
- Dimmer fluido a 16 bit
- Funzionamento Flicker-Free
- Sistema di raffreddamento a basso rumore
- Barndoor Ruotabile incluso

4.2. Dimensioni e Panoramica del Prodotto



5 - SETUP DEL PRODOTTO

5.1. Descrizione del pannello posteriore



Il pannello di comando include Connettori, occhietto per cavo di sicurezza, display LED da 4 caratteri e pulsanti di controllo.

1) Accensione/Spegnimento

Accende e spegne l'unità.

2) Display LED a 4 cifre

Mostra la modalità operativa e tutte le informazioni di sistema. Per informazioni dettagliate su tutti i menu, leggete "6 - Funzionamento dei Menu" a pagina 26.

3) Portafusibili

Portafusibili con fusibile F5AL/250 V (5x20mm). Se il fusibile dovesse bruciarsi, per evitare il rischio di incendio e di danneggiare l'unità, sostituire il fusibile solo con uno equivalente.

4) Prese di Alimentazione in Ingresso/Uscita

Collegare il cavo di alimentazione in dotazione nella confezione del PLOT 200FZ a una presa di corrente adatta a questa apparecchiatura. Leggere "5.2. Connessioni di Rete" a pagina 24 per dettagli. Questo dispositivo è inoltre dotato di un connettore di alimentazione di uscita da utilizzare come sorgente di rete elettrica in caso di **connessione in cascata fino a un massimo di 5 fari**.

5) Prese di ingresso / uscita DMX

L'ingresso DMX è una presa XLR maschio a 3 pin per la connessione a una centralina di controllo DMX. L'uscita DMX è presa femmina a 3-PIN per l'invio del segnale di controllo DMX ad altri fari. Leggere "5.3. Connessioni DMX" a pagina 24 per informazioni su come collegare i cavi DMX.

6) Pulsanti di controllo

Tasto MENU - Premere ripetutamente per passare da una pagina all'altra.

Tasto UP - Consente di scorrere le singole voci del menu di selezione e dei sotto-menu per le impostazioni del sistema (indirizzo DMX, modalità operativa, ecc.) e di aumentare i valori e le impostazioni dei parametri.

Tasto DOWN - Consente di scorrere le singole voci del menu di selezione e dei sotto-menu per le impostazioni del sistema (indirizzo DMX, modalità operativa, ecc.) e di diminuire i valori e le impostazioni dei parametri.

Tasto ENTER - Premere per accedere ai livelli dei menu e confermare le modifiche del valore dei parametri.


7) Occhiello per cavo di sicurezza

Durante l'installazione, agganciare un cavo di sicurezza qui. Questo occhiello è pensato come un secondo attacco di sicurezza per evitare che l'unità si danneggi in caso di cedimento dell'attacco principale (Staffa C).


5.2 Connessioni di Rete

- Assicurarsi sempre che la tensione della presa a cui si collega il prodotto sia nell'intervallo indicato nel paragrafo "9 - Specifiche Tecniche" a pagina 29 (AC110V-240V; 50/60Hz).
- Assicurarsi che il cavo di alimentazione non sia spellato o danneggiato. Non collegare mai questo prodotto a un Dimmer Pack o un Variatore di Tensione.
- Non scollegare mai il prodotto dal cavo di rete tirando o tirando il cavo.
- Per evitare scosse elettriche, tutti gli apparecchi devono essere collegati a circuiti con interruttore automatico.
- La corrispondenza dei fili interni al cavo è la seguente:

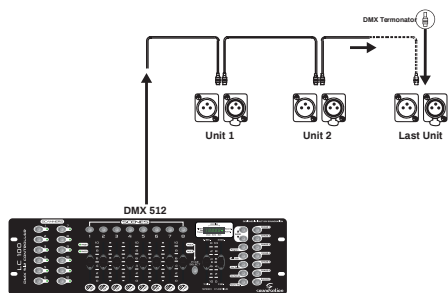
Colore Filo (EU)	Funzione	Nomenclatura Internazionale
Marrone	Fase	L
Blu	Neutro	N
Giallo/Verde	Terra	⊕

 **La Terra deve essere collegata! Prima di mettere in funzione per la prima volta, far approvare l'installazione da un esperto.**

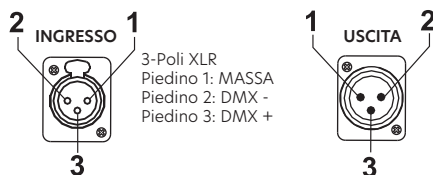
5.3 Connessioni DMX

 **Quando si utilizza un controller DMX, assicurarsi che non vi siano fonti di interferenza (interfono, onde radio ad alta frequenza e sorgenti di radiazioni).**

Gli apparecchi DMX sono progettati per ricevere dati attraverso una catena seriale a cascata. Questo tipo di connessione permette di collegare il DMX OUT di un dispositivo al DMX IN del dispositivo successivo. L'ordine in cui i fari sono collegati non è importante e non ha alcun effetto su come una centralina comunica a ciascun faro. Utilizzare un ordine che preveda il cablaggio più semplice e diretto.



Uso dei 3-Piedini nei Connettori XLR per DMX



Collegare i dispositivi utilizzando un cavo bipolare schermato a 2 conduttori con connettori XLR maschio-femmina a 3 poli. La connessione dello schermo è il piedino 1, mentre il piedino 2 è negativo (S-) e il piedino 3 è positivo (S+).

⚠ ATTENZIONE: 1 fili non devono entrare in contatto l'uno con l'altro; altrimenti i dispositivi non funzioneranno affatto o non funzioneranno correttamente.

5.4. Terminatore DMX

Terminatore DMX



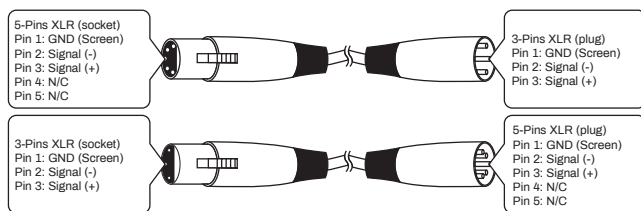
DMX è un protocollo di comunicazione resiliente, tuttavia si potrebbero verificare occasionalmente degli errori. I terminatori riducono gli errori di segnale; è quindi consigliabile usarle quando si verificano problemi con comportamenti irregolari degli apparecchi; specialmente se la lunghezza dei cavi DMX è elevata.

Il terminatore DMX è un connettore XLR con un resistore da 120Ω (ohm), 1/4 Watt collegato attraverso il segnale (-) e il segnale (+), rispettivamente, i pin 2 e 3, che viene quindi inserito nella presa di uscita sull'ultimo proiettore nella catena. Le connessioni sono illustrate di seguito.

⚠ Un cavo di segnale DMX standard può trasmettere segnali a 20 unità al massimo. E' necessario un amplificatore di segnale per collegare più apparecchi.

5.5. Cavi DMX 3-Poli/5-Poli

I protocolli di connessione DMX utilizzati dai produttori di centraline, teste mobili e fari non sono standardizzati in tutto il mondo. Tuttavia, due sono gli standard più comuni: XLR a 5 poli e sistema XLR a 3 poli. Se si desidera collegare questo faro a un dispositivo di ingresso XLR a 5 poli è necessario utilizzare un cavo adattatore o farlo da soli seguendo la corrispondenza di cablaggio tra gli standard di spina e presa a 3 e 5 poli



6 - FUNZIONAMENTO DEI MENU

Premendo il tasto MENU, il display scorrerà attraverso 8 menù diversi. Premere il tasto ENTER per accedere al menu corrispondente, premere UP o DOWN per modificare il valore del parametro corrente. Quindi, premere nuovamente il pulsante ENTER per salvare il valore corrente.

N°	Menu	Funzione	Descrizione
1	A001 - A512	Selezione indirizzo DMX512	Varia da 1 a 512. Utilizzare UP e DOWN per regolare l'indirizzo, quindi confermare con ENTER.
2	3CH-2CH	Settaggio dell'indirizzo DMX512 (Modalità a 3 canali)	E' possibile scegliere tra modo a 2CH e 3CH. Utilizzare UP e DOWN per regolare l'indirizzo, quindi confermare con ENTER.
3	o000 - o255	Dimmer Manuale	Varia da 0 a 255. Utilizzare UP e DOWN per regolare l'indirizzo, quindi confermare con ENTER.
4	t000-t255	Zoom Manuale	Varia da 0 a 255. Utilizzare UP e DOWN per regolare l'indirizzo, quindi confermare con ENTER.

6.1. Impostazione dell'indirizzo DMX

Quando si seleziona un indirizzo DMX iniziale, considerare sempre il numero di canali DMX. Se si sceglie un indirizzo iniziale troppo alto, potresti limitare l'accesso ad alcuni canali del prodotto. IL PLOT 200FZ può utilizzare 2 o 3 canali DMX, i quali definiscono il più alto indirizzo configurabile, rispettivamente, a 511 o 508 per avere tutti i canali controllabili. In questo modo potete controllare fino a 256 unità nella modalità a 2 canali, o 170 unità nella modalità a 3 canali.

6.2. Assegnazioni e valori dei canali DMX

Di seguito le liste di assegnazione dei canali DMX in entrambi i modi a 2CH e 3CH.

1) Tabella DMX512 in modalità 2-canali

Canale	Funzione	Descrizione
Canale 1	Dimmer	0-255: Regolazione lineare Dimmer, da scuro a luminoso.
Canale 2	Zoom	0-255: Regolazione Manuale dell Zoom.

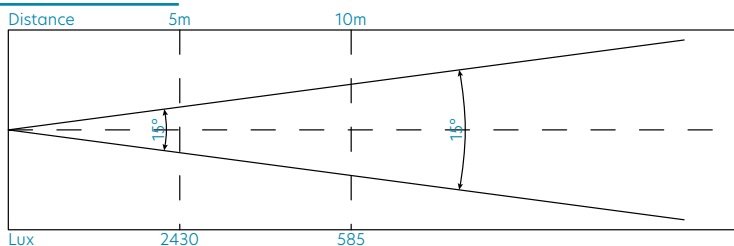
2) Tabella DMX512 in modalità 3-canali

Canale	Funzione	Descrizione
Canale 1	Dimmer	0-255: Regolazione lineare Dimmer, da scuro a luminoso.
Canale 2	Strobo	0-255: Regolazione della Velocità Strobo.
Canale 3	Zoom	0-255: Regolazione Manuale dello Zoom.

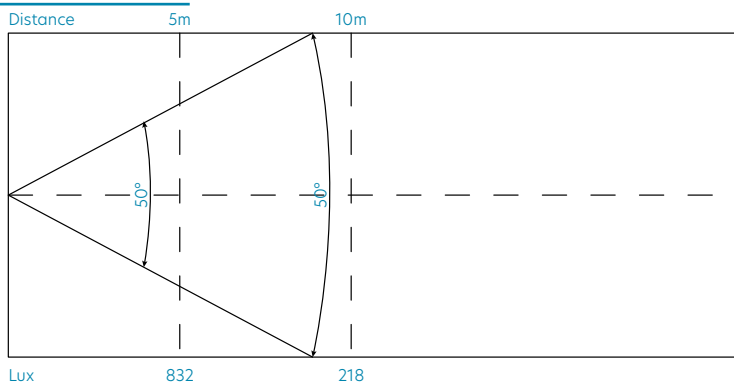
⚠ Nota: In caso di assenza di controller DMX e connessione in cascata di più fari, è possibile attivare la modalità Master/Slave. Ciò significa che il primo faretto della catena controlla tutti gli altri dispositivi, i quali seguono il Master. Ovviamente, sia il master che gli slave devono essere impostati sullo stesso indirizzo DMX.

7 - GRAFICO DEI LUX

1) Grafico dei Lux a 15°



2) Grafico dei Lux a 50°



8 - RISOLUZIONE DEI PROBLEMI

Problema	Probabile Causa(e)	Rimedio
Nessuna risposta dal dispositivo quando si applica l'alimentazione.	Nessuna alimentazione al faro.	Controllare il cavo di alimentazione. Controllare la spina
Il faro non si accende correttamente.	Problema elettrico interno.	Contattare il Servizio di Assistenza.*
Nessuna luce o il LED si funziona a intermittenza o si brucia troppo velocemente.	LED disconnesso or bruciato.	Scollegare il faro e sostituire il LED.
	Il faro o il LED sono molto caldi.	Fate raffreddare il faro. Se il problema persiste, contattate il servizio assistenza.*
L'apparecchio si accende ma non risponde correttamente alla centralina DMX	Centralina non collegata.	Collegare la centralina.
	Canali DMX errati	Controllare i canali DMX sul faro e sulla centralina.
	Errore di trasmissione dei dati.	Controllate che i cavi siano collegati correttamente e che siano integri.
	Conflitto fra controllo nella scena e impostazioni DMX di controllo della centralina.	Eliminare conflitti tra scene, crossfade e altri controlli assegnati dalla centralina al canale DMX.
	Connessione DMX con terminata.	Inserire un terminatore in uscita all'ultimo faro nella catena. **
	Faro difettoso tra 2 unità impostate in modo non corretto nella catena.	Bypassate tutti i fari uno alla volta, finché il problema non scompare. Per bypassare, basta scollegare i cavi DMX in ingresso e uscita dall'unità e collegarli fra di loro.

* Per contattare il Servizio Assistenza Centolight, consultare il paragrafo "10 - Garanzia e Assistenza" a pagina 30 o visitate il sito www.centolight.com

** Per istruzione su come installare un terminatore DMX, vedere "5.4. Terminatore DMX" a pagina 25.

9 - SPECIFICHE TECNICHE

Sorgente Luminosa	LED COB da 200W Bianco-Caldo
Zoom	Da 15° a 50° motorizzato (controllato via DMX o manualmente)
Durata del chip	Oltre 50.000h
Lente Fresnel	Ø130mm (5.1in)
CCT (Temperatura Colore)	3100K ± 150K
Flusso Luminoso	2430 (15°) / 832 (50°) Lux @ 5m, 585 (15°) / 218 (50°) Lux @ 10m
CRI	ra≥90.
Frequenza di Controllo LED	Oltre 15.000Hz (Flicker-Free)
Ampiezza del fascio luminoso	Da 15° a 50°
Ottica	Lente Fresnel in vetro di alta qualità
Dimmer	Controllo Lineare a 16 bit
Effetto Strobo	Sì
Sistema di Raffreddamento	Ventola Silenziosa (sotto 25dB @ 1m) + Raffreddatore in Rame
Modalità DMX	2/3 Canali (RDM incluso)
Modalità di controllo	DMX, Strobo, Master-Slave, Manuale
Pannello di controllo	4 Tasti e Display a LED
Protezione IP	IP20
DMX In/Out	XLR a 3 pin
Presse di corrente	Powercon In/Out
Alimentazione	100~240Vac - 50/60Hz
Fusibile	F5AL/250V (5x20mm)
Massimo Consumo	220W
Temperatura di Lavoro	-30÷55 °C (-22÷171 °F)
Barndoor	Alette Ruotabili (incluse)
Dimensione di fissaggio (LxPxA)	400x187x220 mm - 17.75x7.36x8.66 in (solo apparecchio, senza barndoor e c-staffa)
Peso netto	6,6 kg - 14,55 libbre
Dimensione dell'imballaggio (LxPxA)	540x280x280 mm - 21.26x11.02x11.02 in
Peso dell'imballaggio	7,6 kg - 16.75 libbre

Nota: i nostri prodotti sono soggetti a un processo di sviluppo continuo. Pertanto le modifiche alle caratteristiche tecniche restano soggette a modifiche senza preavviso.

10 - GARANZIA E ASSISTENZA

Tutti i prodotti CENTOLIGHT sono coperti da garanzia di due anni. Essa è valida dalla data di acquisto, come indicato dal documento di acquisto. I seguenti casi/componenti non sono coperti dalla garanzia di cui sopra:

- Tutti gli accessori forniti con il prodotto
- Uso improprio
- Guasto dovuto all'usura
- Ogni modifica del prodotto effettuata dall'utente o da terzi

CENTOLIGHT soddisfa gli obblighi di garanzia dovuti a eventuali materiali non conformi o difetti di fabbricazione, rimediando gratuitamente e a discrezione di CENTOLIGHT, sia mediante riparazione o sostituendo singole parti o l'intero apparecchio. Eventuali parti difettose rimosse da un prodotto durante il corso di una richiesta di garanzia diventano di proprietà di CENTOLIGHT.

Durante il periodo di garanzia, i prodotti difettosi possono essere restituiti al rivenditore CENTOLIGHT con prova di acquisto originale. Per evitare danni durante il trasporto, si prega di utilizzare l'imballo originale (se disponibile). In alternativa, inviare il prodotto a SERVICE CENTER CENTOLIGHT - Via Enzo Ferrari, 10 - 62017 Porto Recanati - Italia. Per inviare un prodotto al centro di assistenza è necessario un numero di RMA. Le spese di trasporto devono essere coperte dal proprietario del prodotto.

Per ulteriori informazioni visitate il sito www.centolight.com

11 - AVVISO UE E SEE (NORVEGIA, ISLANDA, LIECHTENSTEIN)



LEGGETE ATTENTAMENTE - Questo simbolo indica che il prodotto non deve essere smaltito con i rifiuti domestici, in base alla direttiva RAEE (2202/96/CE) e legislazione nazionale.

Il prodotto deve essere consegnato a un centro di raccolta differenziata o, in caso di ritiro dell'usato quando si acquista un nuovo prodotto simile, ad un rivenditore autorizzato per il riciclaggio di apparecchiature elettriche ed elettroniche (WEEE).

Un uso improprio di questo tipo di rifiuti può avere un impatto negativo sull'ambiente e sulla salute umana a causa di sostanze potenzialmente pericolose che sono generalmente associate alle apparecchiature elettriche ed elettroniche. Allo stesso tempo, la vostra collaborazione per il corretto smaltimento di questo prodotto contribuirà a un utilizzo efficace delle risorse naturali.

Per ulteriori informazioni sui punti di raccolta delle apparecchiature da rottamare, contattate il comune, l'autorità di gestione dei rifiuti, strutture coinvolte nel sistema RAEE o il servizio di smaltimento dei rifiuti domestici.



www.centolight.com



This product is imported in EU by
Questo prodotto viene importato nella UE da

FRENEXPORT SPA - Via Enzo Ferrari, 10 - 62017 Porto Recanati - Italy

Centolight® is a registered trademark of FRENEXPORT SPA - Italy
Centolight® è un marchio di fabbrica registrato di FRENEXPORT SPA - Italia



www.centolight.com