



PORTRAIT Q-Air Set

Set of 8 LED PAR 4x12W RGBW 4in1 with lithium battery and flight case with charging function

Set di 8 PAR a LED 4x12W RGBW 4in1 con batteria al litio e flight case con funzione di ricarica

User Manual

Manuale Utente

Carefully read this manual and properly take care of it
Leggete questo manuale e conservatelo per future consultazioni



Dear customer,

First of all thanks for purchasing a CENTOLIGHT® product. Our mission is to satisfy all possible needs of light designers and professionals of entertainment lighting, by offering a wide range of products based on the latest technologies.

We hope you will be satisfied with this fixture and, if you want to collaborate, we are looking for a feedback from you about product operation and possible improvements to be introduced in the next future. Go to our website www.centolight.com and send an e-mail with your opinion; this will help us to build equipment ever closer to professional's real requirements.

The CENTOLIGHT Team

Gentile Cliente,

Grazie per aver scelto un prodotto CENTOLIGHT®. La nostra missione è quella di soddisfare ogni possibile richiesta da parte di light designers e professionisti dell'illuminotecnica per l'intrattenimento, offrendo una vasta gamma di apparecchiature basate su tecnologie di ultima generazione.

Speriamo di aver soddisfatto le vostre aspettative e, se voleste collaborare, saremo lieti di ricevere un vostro feedback sulla qualità del prodotto al fine di migliorare costantemente la nostra produzione. Visitate il nostro sito www.centolight.com ed inviateci una mail con la vostra opinione; questo ci aiuterà a sviluppare nuovi prodotti quanto più vicini alle vostre esigenze.

Il Team CENTOLIGHT

TABLE OF CONTENTS

1 - Before you Start	4
2 - Safety Instructions	5
2.1. Symbols Meaning	5
3 - Introduction	6
3.1. Features	6
3.2. Fixture Size	7
3.3. Flight Case Size	7
3.4. Fixture Elements and Connectors	8
3.5. Power Input/Output Connection	9
3.6. Fixture Placement	10
4 - DMX Control	13
4.1. Wired DMX Control	13
4.2. DMX Terminator	13
4.3. DMX Addressing	14
4.4. 3-Pin vs 5-Pin DMX cables	14
5 - Wireless DMX Control	14
5.1. ID code and LED Color	15
5.2. Wireless DMX Operation	15
6 - Wi-Fi Control Mode	16
7 - Product Setup	17
7.1. Dimmer Refresh Rate	18
8 - Operation	19
8.1. DMX Control Mode	19
8.2. Master/Slave Mode	19
8.3. Auto Run Mode	22
8.4. Sound Mode	22
8.5. Customized Colors	23
8.6. IR Remote Control	23
9 - Maintenance	24
9.1. General Maintenance	24
9.2. Battery Charging and Maintenance	25
9.3. Battery Replacement	26
9.4. Battery Safety and Disposal Instructions	27
10 - Specifications	28
10.1. PORTRAIT Q-AIR Technical Specifications	28
10.2. PORTRAIT Q-AIR CASE Technical Specifications	29
11 - Warranty And Service	30
12 - Warning	30

1 - BEFORE YOU START

Thank you for purchasing PROTRAIT Q-AIR Set. Enjoy your new equipment and make sure to read this manual carefully before operation! This user manual is made to provide both an overview of controls, as well as information on how to use them.

1) What is included

Package include:

- 8x PROTRAIT Q-AIR PAR Light
- 8x IR Remote Control
- 1x Flight Case for 8 units
- 1x Power Cable with Europlug/Powercon connectors
- This User Manual

⚠ ATTENTION: Packaging bag is not a toy! Keep out of reach of children!!! Keep in a safe place the original packaging material for future use.

If anything damaged during transport, notify the shipper immediately and keep the packing material for inspection. If the fixture must be returned to the manufacturer, it is important that it is returned in the original manufacturer box and packing. Please do not take any action without first contacting us.

2) Accessories

CENTOLIGHT can supply a wide range of quality accessories that you can use with your PORTRAIT Series equipment, like Cables, Splitters, DMX controllers, Consumables, and a wide range of other fixtures.

All products in our catalogue has been long tested with this device, so we recommend you to use Genuine CENTOLIGHT Accessories and Parts. Ask your CENTOLIGHT dealer or check out our website www.centolight.com for any accessories you could need to ensure best performance of the product.

3) Disclaimer

The information and specifications contained in this User Manual are subject to change without notice. CENTOLIGHT assumes no responsibility or liability for any errors or omissions and reserves the right to revise or to create this manual at any time.

Copyright© 2021 CENTOLIGHT. All rights reserved.

2 - SAFETY INSTRUCTIONS

- Read these instructions
- Keep these instructions
- Heed all warning
- Follow all instructions

2.1 Symbols Meaning



The symbol is used to indicate that some hazardous live terminals are involved within this apparatus, even under the normal operating conditions, which may be sufficient to constitute the risk of electric shock or death.



The symbol is used to describe important installation or configuration problems. Not following advice and information on how to avoid such problems may lead to product malfunction.



This symbol indicates a protective grounding terminal.

WARNING:

Describes precautions that should be observed to prevent the danger of injury or death to the operator.



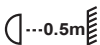
To protect the environment, please try to recycle packing material and exhausted consumables as much as possible.



Don't throw this product away just as general trash, please deal with the product follow the abandon electronic product regulation in your country.



This symbol indicates that the fixture is intended to indoor use only. Keep the machine dry and do not expose to rain and moisture.



Locate the fixture in a well ventilated spot, away from any flammable materials and/or liquids. The fixture must be fixed at least 50cm from surrounding walls

1) Servicing

- Do not implement any servicing other than those means described in the manual. Refer all servicing to qualified service personnel only. The internal components of the equipment must be purchased from the manufacturer. Only use accessories/attachments or parts recommended by the manufacturer.

3 - INTRODUCTION

PORTRAIT Q-Air is a battery-powered (or mains-powered) PAR, specifically designed for rental applications. You can easily control it by choosing among IR remote control, wired DMX-512 connection, Wireless DMX (by using the SOUNDSATION AIRCOM-126, 2.4GHz Wireless DMX Transceiver - check www.soundsationmusic.com for further details), and Wi-Fi Control by using LED LAMP free APP for iOS® and Android® devices.

This fixture is part of a set composed by 8pcs PARs housed in a flight case with charging function. You can easily recharge by placing them into the flight case, connecting to power with the eight IEC connectors inside the case, and finally connecting the flight case external power connector to a mains outlet.

The lighting emitting system consists of 4pcs 12W RGBW 4in1 high-brightness LEDs with a life-span of approximately 50,000 hours. Each LED features a high-quality lens with 15° beam angle and 29° field angle, making this PAR ideal for all applications ranging from wash to beam use.

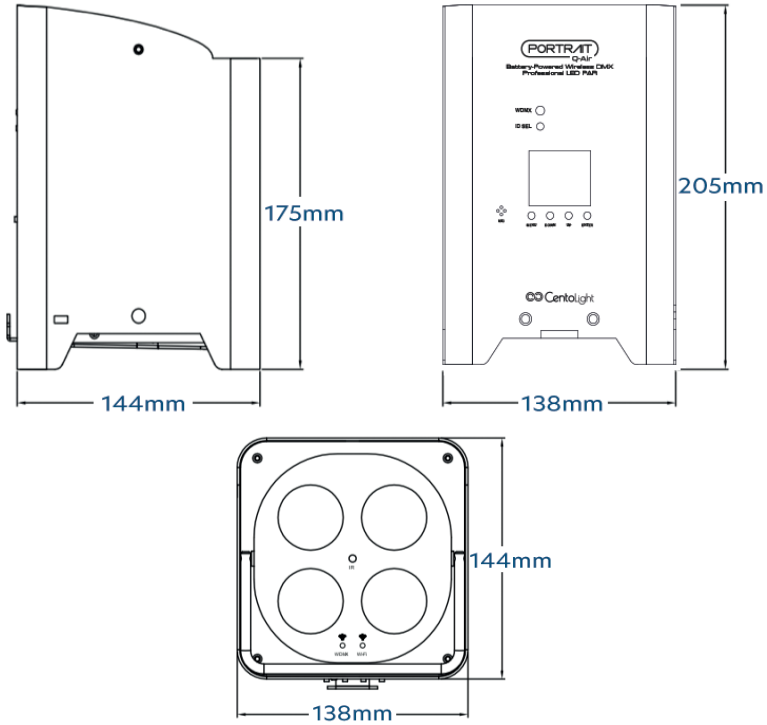
The PORTRAIT Q-Air has a highly compact housing, and can be fit inside 300x300mm truss to create wonderful wash effect inside the truss structure. The fixture can sit on even and solid floor and work as an up-light. It also has a built-in adjustable tilt support. By pushing the tilt support, the fixture tilt can move up to 25° to wash walls or facades.

The high-efficiency lithium battery guarantees a complete charge from zero within about 5 hours, and a working duration ranging from 5 hours (full color mode) to 12 hours (single color mode). The infrared remote control allows remote control of the main functions without the use of DMX.

3.1 Features

- 4x 12W RGBW 4in1 high-efficiency and long-life LEDs
- 15° Beam angle; 29° Field angle
- CRI ≥ 90
- Flicker -Free Operation
- Wireless 2.4GHz DMX-512 control
- DMX-512 wired control
- Wi-Fi Control Mode with LED LAMP App for Android® and iOS® devices
- IR remote control
- 0°-25° adjustable tilt support
- OLED Color Display with intuitive interface
- Rechargeable Lithium-Ion Battery for up to 12-hour operation
- 8-Units Flight Case with Charging Function

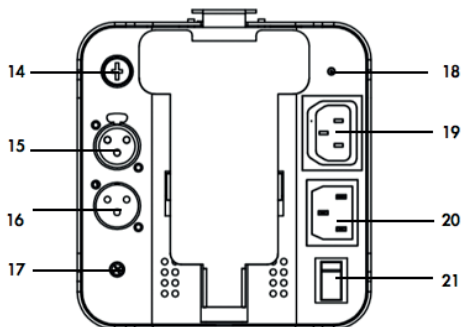
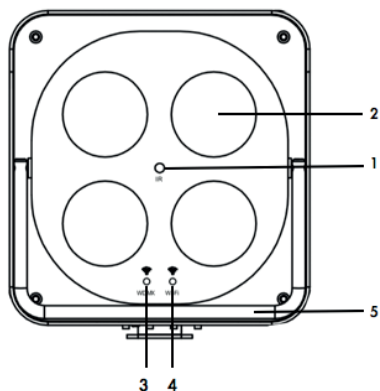
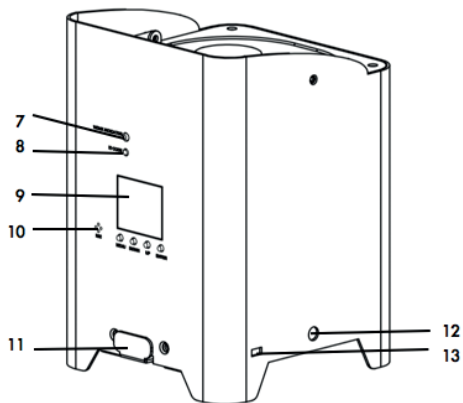
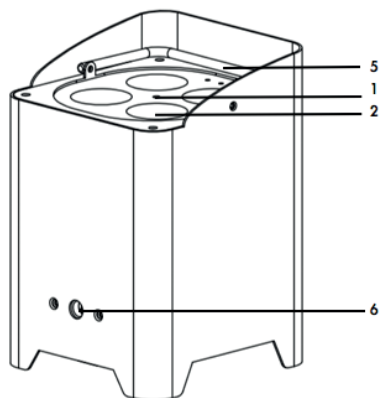
3.2. Fixture Size



3.3. Flight Case Size



3.4. Fixture Elements and Connectors



- | | | |
|--------------------------------|-----------------------------|------------------------------|
| 1. IR sensor | ton | 15. DMX Output |
| 2. Led diodes | 8. ID Selection button | 16. DMX Input |
| 3. Wireless DMX indicator | 9. LCD display | 17. Ground |
| 4. Wi-Fi indicator | 10. Microphone | 18. Battery charge indicator |
| 5. Handle | 11. Adjustable Tilt Support | 19. Power Output |
| 6. Threaded M10 hole for clamp | 12. Hole for safety cord | 20. Power Input |
| 7. W-DMX pairing button | 13. Kensington lock slot | 21. Power switch |
| | 14. Fuse F5A 250V | |

1) Control Panel

It is composed by an OLED Display and 4 buttons: **MENU**, **DOWN**, **UP** and **ENTER**.



- **Menu:** Press MENU button until the desired option appears
- **Enter:** Enter the current menu or confirm the current function value
- **Up:** Scroll "UP" through the menu list to increase the value of current function
- **Down:** Scroll "DOWN" through the menu list to decrease value of current function

3.5. Power Input/Output Connection

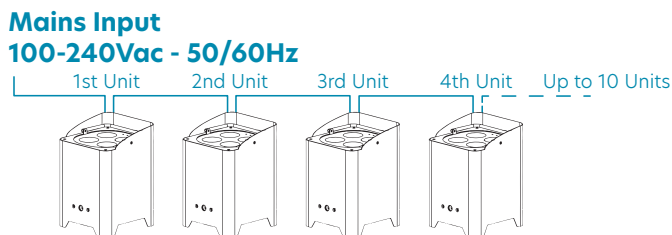
- Always make sure that the voltage of the outlet you are connecting the product to is within the range stated in paragraph "10 - Specifications" on page 28 or rear panel of the product (AC110V-240V 50/60Hz).
- Make sure the power cord is not crimped or damaged. Never connect this product to a dimmer pack or rheostat.
- Never disconnect the product from power cord by pulling or tugging on the cord.
- To avoid electric shock, all fixtures must be connected to circuits with a suitable ground and circuit breaker.
- Wire correspondence is as follows:

Cable (EU)	Pin	International
Brown	Live	L
Blue	Neutral	N
Yellow/Green	Earth	⊕

⚠ Earth must be connected! Always pay attention to safety! Before taking into operation for the first time, the installation has to be approved by an expert.

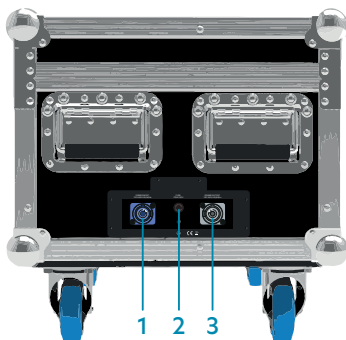
1) PAR Power Output Plug

This fixture is equipped with an output power connector to be used as power mains source in case of **daisy-chain connection up to a maximum of 10 fixtures.**



2) Flight Case Power Input/Output Plug

Portrait Q-Air Case is equipped with charge function for the 8eight PORTRAIT Q-AIR units placed inside. It also allow s the user to link multiple flight casesin daisy-chain connection.



- 1. Power Input Connector:** Plug the power-cord included with PORTRAIT Q-AIR Set into an AC socket properly configured for this fixture (100-240VAC - 50/60Hz).
- 2. Fuse Holder:** Fuse holder with F10AL/250 V fuse (5x20mm). In case of fuse burn, to prevent the risk of fire and damaging the unit, please use only a spare of the recommended fuse type as described. Before replacing the fuse, make sure the unit turned off and disconnected from the AC outlet.
- 3. Power Output Connector:** This fixture is also equipped with an output power connector to be used as power mains source in case of **cascade connection up to a maximum of 3 flight cases**.

3.6. Fixture Placement

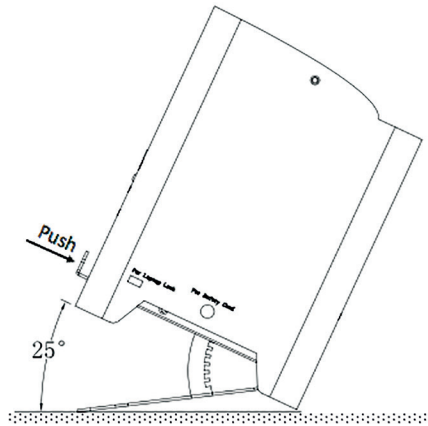
The PORTRAIT Q-AIR can be mounted in several ways.

1) Truss Warmer

The fixture has a highly compact housing, and can be fit inside 300x300mm truss as truss warmer.

2) Uplight Use

The PAR can sit on even and solid floor and work as an uplight. It also has a built-in adjustable tilt support. By pushing the tile support, the fixture tile can move up to 25 degrees to wash walls or facades.



Make sure that the fixture is always placed on even and strong enough surface, and keep it 0.5m away from projection objects.

3) Rigging

The PORTRAIT Q-AIR is equipped with a threaded M10 hole for a clamp. You can then hang the fixture on a truss or other type of hanging structure. Please check the light accessory lineup on www.centolight.com for further details.

When install the fixture to crossbar or truss, always use an extra safety cord (not supplied with the fixture). Users also need to make sure the crossbar is stable or not moving, and can support a weight of 36 kg (fixture net weight 3.6kg).

⚠ Pay attention to safety! Please respectively consider the EN 60598-2-17 and the national standard during the installation. The authorized dealer must only carry out the installation.

The installation of the fixture has to be built and constructed in a way that it can hold 10 times the weight for 1 hour without any harming demolition. The installation must always be secured with a secondary safety attachment, e.g. an appropriate catch net. This secondary safety attachment must be constructed in a way that no part of the installation can fall down if the main attachment fails.

When rigging, unmount or servicing the fixture, staying in the area below the installation place, on bridges, under high working places and other endangered

areas is forbidden. The operator has to make sure that the safety measure and the machine's technical installation is approved by an expert before taking into operation for the first time and after changes before taking into operation another time. He has also to make sure that an expert approves safety measure and the machine's technical installation once a year.

⚠ WARNING: The fixture should be installed outside areas where persons may walk by or be seated.

⚠ IMPORTANT: Overhead rigging requires extensive experience, including (but not limited to) calculating working load limits, installation material being used, and periodic safety inspection of all installation material and the projector. If you lack these qualifications, do not attempt the installation yourself, but instead use a professional structural rigger. Improper installation can result in bodily injury or property loss.

- If the fixture must be raised to/or lowered from the ceiling or by suspended beams, it is advisable to use professional trussing systems.
- In case of installation on a wall, ceiling or truss, the use of safety rope such as the LW3-76A or the LW4-76A (sold separately) and clamps such as the SLH/SQC series is required (sold separately). Visit www.centolight.com for more details.
- For overhead use, also consider that a safety rope must hold at least 10 times the weight of the fixture. The fixture must never be left to swing freely.

⚠ CAUTION: Fixture may cause severe injuries when crashing down. If you have doubts concerning the safety of a possible installation, do not install the fixture!

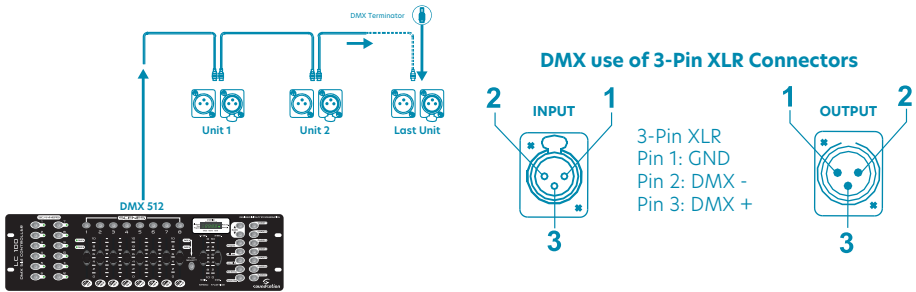
⚠ CAUTION: Use two appropriate clamps to rig the fixture on the truss. Make sure that the device is fixed properly! Ensure that the structure (truss) to which you are attaching the fixtures is secure.

⚠ DANGER OF FIRE! When installing the device, make sure there is no highly inflammable material (decoration articles, etc.) within a distance of minimum 0.5 meter.

4 - DMX CONTROL

4.1 Wired DMX Control

DMX fixtures are designed to receive data through a serial Daisy Chain. A Daisy Chain connection is where the DATA OUT of one fixture connects to the DATA IN of the next fixture. The order in which the fixtures are connected is not important and has no effect on how a controller communicates to each fixture. Use an order that provides for the easiest and most direct cabling.

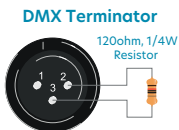


Connect machines using shielded 2-conductor twisted pair cable with 3-pin XLR male to female connectors. The shield connection is pin 1, while pin 2 is Data Negative (S-), and pin 3 is Data positive (S+).

⚠ When use a DMX controller, please make sure that there is no interference sources (e.g. intercom, high frequency radio waves and radiation source).

4.2 DMX Terminator

DMX is a resilient communication protocol, however errors still occasionally occur. In order to prevent electrical noise from disturbing and corrupting the DMX control signals, a good habit is to connect DMX output of last fixture in the chain to a DMX terminator, especially over long signal cable runs.



The DMX terminator is simply an XLR connector with a 120Ω (ohm), 1/4 Watt resistor connected across Signal (-) and Signal (+), respectively, pins 2 and 3, which is then plugged into the output socket on last projector in the chain. The connections are illustrated below.

⚠ Complimentary signal cable can transmits signals to 20 unit fixtures at most.

Signal amplifier is a must to connect more fixtures.

4.3. DMX Addressing

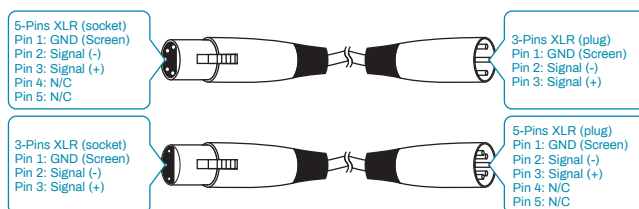
Each fixture must be assigned a DMX address so that the correct fixture responds to the correct control signals. This DMX address is the channel number from which the fixture starts to "listen" to the digital control information being sent out from the controller.

The PORTRAIT Q-AIR has 2 DMX channel modes: 6 and 8 DMX channels. To set up fixture DMX address, first select DMX channel mode by following up the paragraph "9.1. DMX Control Mode" on page 17. The highest DMX address for this fixture is 512. To set up fixture DMX starting address, follow the steps below:

- Press "Up" or "Down" button to set up DMX address;
- Press "Enter" to save your setting.

4.4. 3-Pin vs 5-Pin DMX cables

DMX connection protocols used by controllers and fixtures manufacturers are not standardized around the world. However, two are the most common standards: 5-Pin XLR and 3-Pin XLR system. If you wish to connect this fixture to a 5-Pin XLR input fixture, you need to use an adapter-cable or make it by yourself. Below you can see the wiring correspondence between 3-Pin and 5-Pin plug and socket standards



5 - WIRELESS DMX CONTROL

Your PORTRAIT Q-AIR Par can be remotely controlled by DMX-512 wireless transceivers like the SOUNDSATION AIRCOM 126 (check www.soundsationmusic.com or contact your SOUNDSATION local dealer for further information).

The fixture is equipped with a 2.4GHz wireless DMX512 interface that works within 2,400-2,525 GHz license-free band. Maximum distance is 300m (without obstacles). This wireless feature, considering that the PORTRAIT Q-AIR is a battery-powered fixture, gets rid of relying on connecting cables completely, and also can ensure a reliable and very-low delay DMX data communication. It adopts global free 2.4GHz ISM frequency band and high effective GFSK modulation.

One transmitter can manage more receivers at the same time, so this means, for example, that a DMX controller connected to a 2.4 GHz transmitter can control more than one PORTRAIT Q-AIR simultaneously, which is a very common application in case of multiple PARs in a flight case, like the PORTRAIT Q-AIR SET. Of course, the two or more receivers must be placed within 300m from the transmitter.

Another common application is, for example, if in a venue with two dance floors (let's call them "zones") you want to control both with the same controller. The only advice is that the fixtures in Zone A must use DMX channels other than those used in Zone B.

⚠ NOTE: If two transmitters are active simultaneously on same ID, although there is no risk of damage to the equipment, we do not recommend to use two or more transmitters on same ID value, as this is absolutely useless.

5.1 ID code and LED Color

DMX data communication occurs only if transmitter and receiver are both under same ID code. Users can assign a fixture to one of the 7 available bands (or groups) by pressing "ID SEL" button several times. Each ID has a different assigned color as shown in next table.

ID	COLOR
1	Red
2	Green
3	Red + Green = Yellow
4	Blue
5	Red + Blue = Magenta
6	Green + Blue = Cyan
7	Red + Green + Blue = White

This means that the combination Transmitter-Receiver allows the light designer to use up to 7 x 512 DMX channels in the same venue.

5.2 Wireless DMX Operation

To use this feature, Select "Set" menu in the display, and press "ENTER". Scroll "DOWN" button to select "2. 2.4g wireless". Press "ENTER" - "UP" to set wireless to "ON". You will see WDMX indicator starts to blink. This means the fixture is already connected to other fixtures or to one wireless transmitter box.



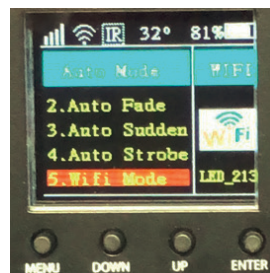
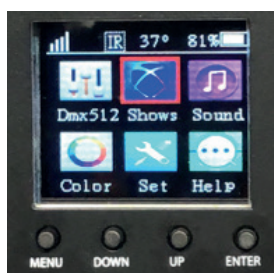
Now you need to set up the transmitter in order to match the same ID group. Please refer to the transmitter user manual for further information.

Once communication is established (red LED will be always lit, you have to adjust the PORTRAIT Q-AIR DMX channel in order to match the controller (e.g.: if your PAR is in 8-Channel mode, and DMX channel is set to 1, the controller can adjust values of DMX channels from 1 to 8 in a range between 0 and 255.

All fixtures with the same led indicator color are in the same group and will follow the instruction from the master unit of same group.

6 - Wi-Fi CONTROL MODE

At the main menu, select "Shows", and press "ENTER" button to enter to sub-menu "Auto Mode". Scroll "DOWN" button to select "5. Wi-Fi Mode". Press "ENTER". You will see below:



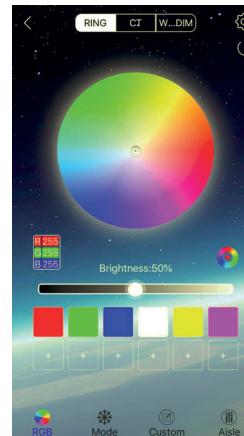
At the right side LCD display, you will the Wi-Fi hotspot LED_XXX (in this case LED_213). Now the fixture will work as a router with Wi-Fi name LED_XXX. Now connect your device to the hotspot.

Download LED LAMP for free to your smartphone. It is available for both iOS® and Android®.



Alternatively, you can go to “HELP” page of your PORTRAIT Q-AIR, press “ENTER”. Then press “UP” or “DOWN”: a Wi-Fi QR code will appear. Scan the QR code to download LED LAMP to your mobile phone.

Once launched the LED LAMP app, you will see several sub-apps in its main page. Please use LED LIGHT to control your PORTRAIT Q-AIR fixtures.



7 - PRODUCT SETUP

This fixture has a built-in rechargeable lithium battery. After it is fully charged, switch on the fixture with the power switch at the bottom of the unit, it will start to run and can be controlled with wireless DMX desk, IR controller and also with smartphone.

After operation, please switch off the fixture with its power switch.

MENU	ENTER	UP/DOWN	DESCRIPTION
DMX512	A001-512	SPEED 01 - 99	DMX address setup
SHOWS	1. Auto color	SPEED 01 - 99	Color changing, no fading
	2. Auto fade	SPEED 01 - 99	Color changing, with fading
	3. Auto sudden	SPEED 01 - 99	Color changing, fading to blackout
	4. Auto Strobe	SPEED 01 - 99	Strobe with led full on
	5. Wi-fi mode	On	Wi-Fi mode, showing Wi-Fi hotspot

SOUND	Sound mode 1	001 - 100	Sound mode with adjustable microphone sensitivity
	Sound mode 2	001 - 100	
	Sound mode 3	001 - 100	
	Sound mode 4	001 - 100	
COLOR	Custom color	Red: 000-255	Customized colors
		Green: 000-255	
		Blue: 000 - 255	
		White: 000 -255	
	Static color	Color 01 - 15	Static color
SET	1. DMX channel	4CH	4 channel mode
		8CH	8 channel mode
	2. 2.4G wireless	ON/OFF	Wireless On/Off
	3. Infrared	ON/OFF	Remote control On/Off
	4. Display back-light	0-100%	LCD display back-light brightness
	5. LCD close time	Open-5S-10S-15S-30S	LCD display close time setup
6. Restore factory	0 0 0 0	Reset to default. Password: 8888	
HELP	Name:	PORTRAIT Q-AIR	Fixture model
	Version	V4.6	Firmware version
	DMX Channel	4/8CH	DMX channel
	Run Time	00:00	Current running time
	User Time	00:00	Total running time
	Temperature:	Xx °C	Fixture temperature
	LED WI-FI		WLAN: LED_XXX. LED LAMP app on smartphone

7.1 Dimmer Refresh Rate

The Q-Air portrait is suitable for video shooting as it has is “flicker-free” operation, ie the dimmer control scan frequency can be adjusted from 1kHz to 20kHz. The more this value is high, the less the flickering effect is visible when a camera shoots the light source.

To check and/or adjust the refreshing rate, go to the DMX512 menu, press ENTER to access sub-menu and select A001. Then, press MENU for a few seconds. You will see “Dimmer frequency” and you can select values between 1KHz and 20KHz by pressing the UP/DOWN buttons.

8 - OPERATION

8.1 DMX Control Mode

This function will allow users to control individual fixture with a standard DMX512 console. Below is fixture DMX Channel Chart. PORTRAIT Q-AIR has two DMX channel modes, 4 channels and 8 channels.

To set up DMX channels, select "Set" at the main menu page, and press "ENTER". Scroll "UP" or "DOWN" button to select "1. DMX channel". Press "ENTER" - "UP" or "DOWN" to select 4CH or 8CH. Press "ENTER" to save the setting, and press "MENU" to exit from current sub-menu.

CH MODE	DMX CH	DESCRIPTION	VALUES	SETTING/FUNCTION
4CH	1	Red	0-255	0%-100%
	2	Green	0-255	0%-100%
	3	Blue	0-255	0%-100%
	4	White	0-255	0%-100%
8CH	1	Dimmer	0-255	0%-100%
	2	Red	0-255	0%-100%
	3	Green	0-255	0%-100%
	4	Blue	0-255	0%-100%
	5	White	0-255	0%-100%
	6	Strobe	0-255	From slow to fast
8CH	7	Preset Program	0-008	Blackout
			009-050	Color Mixing (15 colors)
			051-100	Color Changing
			101-150	Color Sudden Changing
			151-200	Color Dimming In/Out
			201-220	Sound Mode 1
			221-240	Sound Mode 2
	241-255	Sound Mode 3		
	8	/	001-255	Speed

8.2 Master/Slave Mode

In Master/Slave mode, one fixture will work as Master fixture, other fixtures in the daisy chain will work in synchronization with the Master fixture.

1) Master/Slave with DMX Cable

First of all, connect all fixtures in chain with DMX cables. Then set up the fixture as below.

1. Keep master fixture LCD display at the main menu mode as the picture below shows. This fixture will work as Master unit.



2. Set up all rest fixtures DMX address to A001 as show below, and keep the LCD display the same during operation. All these connected fixtures will work as Slave units.



3. Select one preset program Static color/Auto mode/Sound mode from the Master unit, all slave fixtures will run the same program synchronously with Master unit.



2) Master/Slave At Wireless Mode

PORTRAIT Q-AIR has 7 wireless IDs with 7 different led indicator colors. To run fixtures at Master/Slave mode, follow the setup below.

First of all, press <ID CODE> button to select the wireless group. Keep all fixture

W-DMX indicator showing the same color. This means all PARs are in the same wireless band (in the same group).



Now need to set up the fixture as below.

1. Keep master fixture LCD display at the main menu mode as the picture below shows. This fixture will work as Master unit.



2. Set up all rest fixtures DMX address to A001 as show below, and keep the LCD display the same during operation. All the rest fixtures will work wireless as Slave units.



3. Select one preset program Static color/Auto mode/Sound mode from the Master unit, all slave fixtures will run the same program synchronously with Master unit.

8.3. Auto Run Mode

Users can run preset programs at auto mode. Select "SHOW" and press "ENTER", the follow will appear.



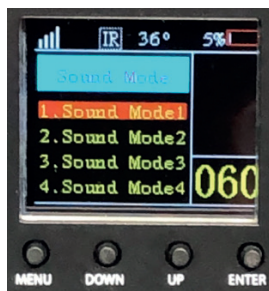
Users can run the 4 auto programs. Press "ENTER" to adjust speed from 01 to 99.

8.4. Sound Mode

The fixture can operate at sound mode to activate built-in programs with music. Press "Menu" and then press "Up" or "Down" to select "Sound".



Press "Enter" you will see below:



There are 4 sound modes. Select any one to run sound mode. Pressing "ENTER" and

then press "Up" or "Down" to adjust sound sensitivity from high to low (from 000 to 100).

8.5 Customized Colors

Users are allowed to program their own color effects and save to your fixture. Follow the steps below:

Press button "Menu". Then press "UP" or "DOWN" to select "Color"; then press "Enter". You will see:



Press "ENTER" again to access the page below:



Press "Enter" again to select the desired color to customize, and scroll "Up" or "Down" to adjust color intensity, press "Enter" to save the value, and also move automatically to the next desired color. To exit from current page by pressing "MENU" button.

8.6 IR Remote Control

This operation mode allows users to control the fixture with an infrared remote controller.

To activate IR remote control, At the main menu, select "Set", and press "ENTER" button to enter to sub-menu. Scroll "DOWN" button to select "3. Infrared". Press "ENTER", then press UP or DOWN button to set ON . Press ENTER to save the setting. To

exit current sub-menu page by continuing pressing MENU button.

To control the fixture with this IR remote controller, make sure to point the controller directly to the IR receiving sensors on the product. Make sure there are no objects between the controller and the fixture.

1. Sets fixture ON
2. Sets fixture into blackout (LED off).
3. Adjusts auto, strobe & fade speed, sound sensitivity etc.

Sets the fixture to static color RED GREEN BLUE WHITE

Preset colors.

Runs auto mode. Use buttons to adjust auto speeds.

Runs strobe programs. Use buttons to adjust strobe speeds.

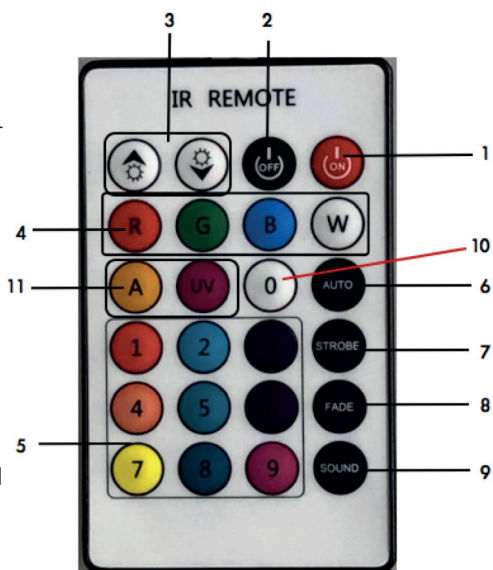
Runs fade programs. Use buttons to adjust fading speeds.

Runs sound programs. Use buttons to adjust microphone sensitivities.

Static Color Selection. Combined with buttons allows to run 15 static colors in "Color" menu (read the table in paragraph "8. PRODUCT SETUP" on page 16).

The fixture has RGBW quad color led, these two buttons have no function.

⚠ Note: The remote control uses a CR2025 3Volt Lithium battery. Be sure the battery is correctly installed, and make sure it is charged.



9 - MAINTENANCE

9.1 General Maintenance

The operator has to make sure that the safety-related and machine-technical installations have to be periodically inspected by an expert, according to local legislation.

During an acceptance test, please check points below.

- Make sure the connections are clean and totally dry before linking equipment or supplying electric power.
- All screws used for installing the fixture or parts of the fixture have to be tightly connected and must not be corroded.
- The fixture has optical lenses; users should clean the lenses periodically to optimize light output. The cleaning frequency depends on the environment in which the fixture is installed. Damp, smoky or particularly dirty surrounding can cause greater accumulation of dirt on the lenses. Even in a clean type of surroundings, it is suggested to clean the lens and housing at least once a month. It is suggested to use a soft cloth using normal glass cleaning fluid.

The following points have to be considered during the maintenance:

- Switch off the fixture before cleaning.
- Clean the lens with a mild solution of glass cleaner or isopropyl alcohol, and a soft, lint-free cotton cloth or a lens cleaning tissue.
- Gently polish the external glass surfaces until they are free of haze and lint.

1) Fuse Replacement

The fixture has an internal replaceable fuse built in the base. In the case of fuse blown, you need to replace it. Unplug the fixture from power, open the fuse holder by turning it anticlockwise; remove the blown fuse from the holder and replace it with the exact same type and rating one. Close the fuse holder by turning it clockwise to tighten it. Screw back the base to the housing.

Always replace a blown fuse with another of the same type and rating (check "11. SPECIFICATIONS" on page 27).

9.2 Battery Charging and Maintenance

The PORTRAIT Q-AIR has a rechargeable lithium battery and a built-in auto-ranging charger circuit. For further details about battery pack, check "11. SPECIFICATIONS" on page 27.

Please follow the instructions below to assure a correct use, long-life and maintenance.

⚠ Always store the fixtures with full battery. Partially charged batteries will lose capacity. Never store the battery when fully drained. Always recharge immediately when empty. Partially charged batteries will lose capacity. Fully recharge every 6 months if not used.

⚠ Always remove battery fuse if fixture will be stored for long time (more than 6 months).

⚠ Before charging the fixture, ensure that the voltage and frequency of power supply match the power requirements of the product.

⚠ When charging fixtures in the flight case, always charge with the case open. It is recommended to charge at a temperature between 0°C and 35°C

⚠ Battery runtime will decreased time by time, and it may be slightly shorter than predicted due to different working environments.

To charge the fixture, connect the power cable to the fixture IEC power input, and plug the power cable to the mains. The fixture will start to charge automatically. The auto-ranging charger has an input to 100-240V AC, 50/60Hz. A normal charging time is about 5 hours.

There is a charge indicator on the base monitoring battery life status. When battery capacity is less than 30%, yellow light will start flashing. When this happens, charge the battery immediately till it is 100% fully charged. Red light will turn on during the whole charging time. Once the battery is fully charged, the indicator will turn on green. Unplug the fixture from the main source, the fixture now can operate free of cable.

It is recommended to charge the fixture at an ambient temperature between 0°C and 35°C.

When charging fixtures in flight case, make sure to keep the case open. If fixture is charged but not in operation, please always keep the power switch "Off".

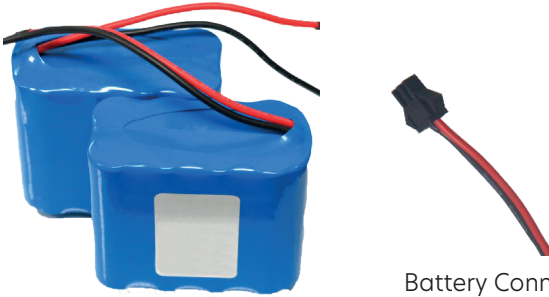
⚠ Note: The battery must be replaced with an original one from the manufacturer only.

9.3. Battery Replacement

This fixture is equipped with a rechargeable lithium-ion battery Pack (14.8V - 5.2Ah - type 18650-4S2P). When battery gets drained, you need to replace it with a new one. These battery they can be purchased from specialized dealers.

We suggest you to contact a Centolight authorized service center, as the replacement involves the disassembly of the fixture. It is not particularly difficult, but you may need to use a soldering station and replace some fixing clips in order to connect the two poles of the new battery pack to the pre-existing wires. In any case, to guide you in purchasing the right battery pack, please check the following details.

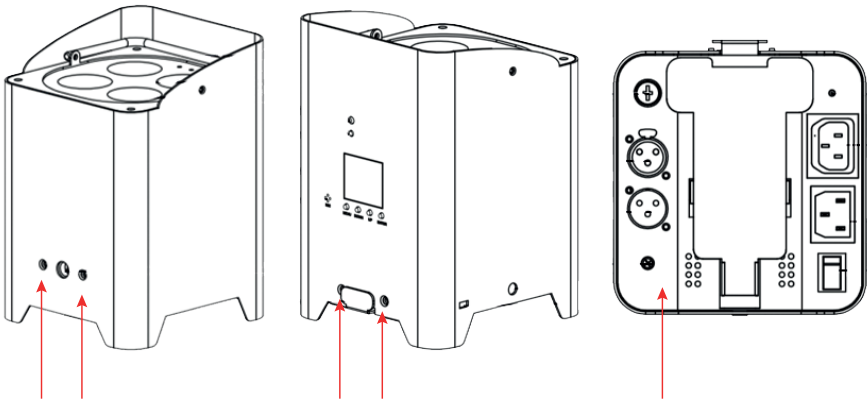
- Battery type: rechargeable lithium-ion battery pack type 18650-4S2P
- Battery Voltage/Current: 14.8V - 5.2Ah
- Battery Pack Size 65 x 75 x 35 mm



Battery Connector detail

To replace the battery follow the steps below:

1. Remove the four screws shown in the following picture



Remove these two screws

Remove these two screws

Pull out the rear panel

2. Pull out the panel on fixture bottom.
3. You can now access to battery pack.
4. If the battery connector of the new pack does not correspond to the old one, you need to cut it out and solder the poles to the original wires. Pay attention to polarity: red wire is positive; black wire is negative.

⚠ WARNING: We suggest you to contact a Centolight authorized service center.

9.4. Battery Safety and Disposal Instructions

Please follow the instructions below for safe handling of and proper disposal of user-serviceable batteries.

Please make sure the battery will be disposed of properly according to your local law when it runs out of its life, so that to protect the environment. Some batteries may be recycled, and may be accepted for disposal at your local recycling center.

Please contact SOUNDSATION Customer Support if you have questions about proper handling of batteries. Batteries may present a risk of fire, explosion, or chemical burn if mistreated.

- Do not disassemble, puncture, modify, drop, throw, or cause other unnecessary shocks to batteries.
- Do not dispose of batteries in a fire or trash incinerator, or leave batteries in hot places such as a automobile under direct sunlight.
- Do not store batteries near an oven, stove, or other heat source.
- Do not connect batteries directly to an electrical source, such as a building outlet or automobile power-point.
- Do not place batteries into a microwave oven, or into any other high-pressure container.
- Do not immerse batteries in water or otherwise get them wet.
- Do not short circuit batteries; for example, do not carry loose batteries in a pocket or purse with other metal objects, which may inadvertently cause a battery to short circuit.
- Do not use batteries, or charge rechargeable batteries, that appear to be leaking, discolored, rusty, deformed; emit an odor; or are otherwise abnormal.
- Do not touch leaking batteries directly; wear protective material to remove the batteries and dispose of them properly immediately.
- Do not reverse the polarity (positive and negative terminals) of batteries.
- Do not continue to charge batteries beyond the specified time.
- Do not give batteries to young children, or store batteries where children may access them.
- Do not put batteries in mouth. If swallowed, contact physician or local poison control center immediately.

10 – SPECIFICATIONS

10.1 PORTRAIT Q-AIR Technical Specifications

Light sources	4x12W RGBW 4-in-1 LEDs
Beam angle	15°
Field angle	29°
Led average life span	50,000 hours
CRI	≥90
Flicker-Free Operation	Yes (adjustable refresh rate from 1kHz to 20kHz)

Control mode	DMX512, Master/Slave, Stand Alone, Wireless DMX, IR Remote Control, Wi-Fi control
DMX channel	4/8 channel selectable
Control panel	LCD display
Power input	100-240VAC 50/60Hz
Power consumption	Max. 45W
Fuse	F5A-250V
Power In/Out Connections	IEC Input / Output
Battery type	Rechargeable lithium-ion Battery Pack 14.8V - 5.2Ah LG18650-4S2P
Battery Pack Size	65 x 75 x 35 mm
Charge time	About 5.0 hours
Battery life	5 hours at full color from one full charge
	8 hours at running preset programs
	12 hours at running single color
Working temperature	-10°C - 45°C
Charging temperature	0°C - 45°C
IP rating	IP20
Cooling	Natural cooling, silent operation
Housing Material	Rigid metal
Housing color	Black
Fixture Size	138 x 144 x 205mm (5.43 x 5.67 x 8.07 in)
Net weight	3.6 kg - 7.94 lbs.

10.2 PORTRAIT Q-AIR CASE Technical Specifications

Power input	100-240VAC 50/60Hz
Power consumption	Max. 400W
Fuse	F10A-250V
Power In/Out Connections	Powercon Input / Output
Size (WxDxH)	755 x 455 x 485 mm (29.72 x 17.91 x 19.09 inch)
Weight	51 kg - 112.5 lbs. (including 8 Pars and accessories)

Note: Our products are subject to a process of continual further development. Therefore modifications to the technical features remain subject to change without further notice.

11 - WARRANTY AND SERVICE

All CENTOLIGHT products feature a limited two-year warranty. This two-year warranty starts from the date of purchase, as shown on your purchase receipt. The following cases/components are not covered by this warranty:

- Any accessories supplied with the product
- Improper use
- Fault due to wear and tear
- Any modification of the product effected by the user or a third party

CENTOLIGHT shall satisfy the warranty obligations by remedying any material or manufacturing faults free of charge at CENTOLIGHT's discretion either by repairing or exchanging individual parts or the entire appliance. Any defective parts removed from a product during the course of a warranty claim shall become the property of CENTOLIGHT.

While under warranty, defective products may be returned to your local CENTOLIGHT dealer together with the original proof of purchase. To avoid any damages in transit, please use the original packaging if available. Alternatively, you can send the product to CENTOLIGHT SERVICE CENTER - Via Enzo Ferrari, 10 - 62017 Porto Recanati - Italy. In order to send a product to service center, you need an RMA number. Shipping charges have to be covered by the owner of the product.

For further information please visit www.centolight.com

12 - WARNING

PLEASE READ CAREFULLY - EU and EEA (Norway, Iceland and Liechtenstein) only



This symbol indicates that this product is not to be disposed of with your household waste, according to the WEEE Directive (2012/19/UE) and your national law.



This product should be handed over to a designated collection point, e.g., on an authorized one-for-one basis when you buy a new similar product or to an authorized collection site for recycling waste electrical and electronic equipment (WEEE).

Improper handling of this type of waste could have a possible negative impact on the environment and human health due to potentially hazardous substances that are generally associated with EEE. At the same time, your cooperation in the correct disposal of this product will contribute to the effective usage of natural resources.

For more information about where you can drop off your waste equipment for recycling, please contact your local city office, waste authority, approved WEEE scheme or your household waste disposal service.

SOMMARIO

1 - Prima Di Iniziare	32
2 - Istruzioni di Sicurezza	33
2.1. Significato dei simboli - - - - -	33
3 - Introduzione	34
3.1. Caratteristiche - - - - -	34
3.2. Dimensioni del Faro - - - - -	35
3.3. Dimensioni del Flight Case - - - - -	35
3.4. Descrizione di Comandi e Connessioni - - - - -	36
3.5. Connessione di Alimentazione In/Out - - - - -	37
3.6. Posizionamento del Dispositivo - - - - -	38
4 - Controllo DMX	40
4.1. Controllo DMX Cablato - - - - -	40
4.2. Terminatore DMX - - - - -	41
4.3. Indirizzamento DMX - - - - -	41
4.4. Cavi DMX 3-Poli/5-Poli - - - - -	42
5 - Controllo DMX Wireless	42
5.1. Codice ID e Colore LED - - - - -	43
5.2. Funzionamento DMX Wireless - - - - -	43
6 - Modalità Controllo Wi-Fi	44
7 - Configurazione del Dispositivo	45
7.1. Velocità di Scansione del Dimmer (Flicker-Free) - - - - -	46
8 - Funzionamento	46
8.1. Modalità di controllo DMX - - - - -	46
8.2. Modalità Master/Slave - - - - -	47
8.3. Modalità Auto Run - - - - -	49
8.4. Modalità Sound - - - - -	50
8.5. Colori Personalizzati - - - - -	51
8.6. Telecomando IR - - - - -	51
9 - Manutenzione	52
9.1. Manutenzione Generale - - - - -	52
9.2. Manutenzione e Carica della Batteria - - - - -	53
9.3. Sostituzione della batteria - - - - -	54
9.4. Istruzioni per la sicurezza e lo smaltimento della batteria - - - - -	56
10 - Specifiche Tecniche	57
10.1. Specifiche Tecniche del PORTRAIT Q-AIR - - - - -	57
10.2. Specifiche Tecniche del PORTRAIT Q-AIR CASE - - - - -	57
11 - Garanzia e Assistenza	58
12 - Avviso UE e SEE (Norvegia, Islanda, Liechtenstein)	58

1 - PRIMA DI INIZIARE

Grazie per aver acquistato il set di fari PORTRAIT Q-AIR. Prima di iniziare, assicuratevi di leggere attentamente questo manuale! Esso utente è stato creato per fornire sia una panoramica dei controlli, sia informazioni su come usarli.

1) Cosa è Incluso

La confezione include:

- 8 x Par PORTRAIT Q-AIR
- 8x Telecomando
- 1 x Flight Case per 8 Unità
- 1 x Cavo di Alimentazione con connettori Europlug / Powercon
- Questo Manuale d'uso

⚠ ATTENZIONE: La confezione non è un giocattolo! Tenere fuori dalla portata dei bambini! Conservare in un luogo sicuro il materiale di imballaggio originale.

In caso di danni durante il trasporto, informare immediatamente lo spedizioniere e conservare il materiale di imballaggio per l'ispezione. Se l'unità deve essere restituita al produttore, è importante che l'unità venga restituita nella confezione originale del produttore. Si prega di non intraprendere alcuna azione senza prima contattarci.

2) Accessori

CENTOLIGHT fornisce un'ampia gamma di accessori di qualità che è possibile utilizzare con le apparecchiature della serie PORTRAIT, come cavi, splitter, controller DMX, materiali di consumo e un'ampia gamma di altri fari.

Tutti i prodotti nel nostro catalogo sono stati testati a lungo con questo dispositivo, quindi ti consigliamo di utilizzare accessori e ricambi originali CENTOLIGHT. Chiedete al vostro rivenditore CENTOLIGHT o visitate il nostro sito web www.centolight.com per eventuali accessori di cui potreste aver bisogno per garantire le migliori prestazioni al vostro prodotto.

3) Limiti di Responsabilità

Le informazioni e le specifiche contenute in questo manuale utente sono soggette a modifiche senza preavviso. CENTOLIGHT non si assume alcuna responsabilità per eventuali errori od omissioni e si riserva il diritto di rivedere o creare questo manuale in qualsiasi momento.

Copyright© 2021 CENTOLIGHT. Tutti i diritti riservati.

2 - ISTRUZIONI DI SICUREZZA

- Leggete queste istruzioni
- Conservate queste istruzioni
- Prestate attenzione a tutti gli avvertimenti
- Seguite tutte le istruzioni

2.1. Significato dei simboli



Questo simbolo viene utilizzato per indicare che all'interno di questo apparecchio sono presenti terminali sotto tensione, anche in condizioni operative normali, che possono essere sufficienti a costituire il rischio di scosse elettriche o morte.



Questo simbolo è usato per descrivere importanti problemi di installazione o configurazione. Il mancato rispetto dei consigli e delle informazioni su come evitare tali problemi può portare al malfunzionamento del prodotto.



Questo simbolo indica un terminale di messa a terra.

ATTENZIONE

Descrive precauzioni da osservare per prevenire lesioni o morte dell'operatore.



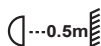
Per proteggere l'ambiente, cercare di riciclare il più possibile il materiale di imballaggio e i materiali di consumo esauriti



Non gettare questo prodotto come spazzatura generica, conferire il prodotto seguendo le normative sui rifiuti elettronici in vigore nel vostro paese.



Questo simbolo indica che il dispositivo è destinato ad un uso all'interno. Non esporre a pioggia e umidità.



Ponete l'apparecchio in un punto ben ventilato, lontano da qualsiasi materiale e/o liquidi infiammabili. L'apparecchio deve essere fissato almeno a 50 cm dalle pareti circostanti

1) Manutenzione

Non effettuare alcuna manutenzione diversa da quelle descritte nel presente manuale. In caso di ulteriori manutenzioni, rivolgersi a personale specializzato. Eventuali componenti interni devono essere acquistati da rivenditori specializzati. Utilizzare solo accessori o parti raccomandate dal produttore.

3 - INTRODUZIONE

PORTRAIT Q-Air è un PAR alimentato a batteria (o a corrente), progettato per applicazioni di noleggio. Può essere controllato facilmente scegliendo tra telecomando IR, connessione DMX-512 cablata, DMX wireless (usando il ricetrasmittitore DMX wireless a 2,4 GHz AIRCOM-126, - andate su www.soundstationmusic.com per ulteriori dettagli) e Wi-Fi utilizzando l'APP gratuita LED LAMP per dispositivi iOS® e Android®.

Questo apparecchio fa parte del PORTRAIT Q-AIR Set composto da 8 PAR e un flight case predisposto per la ricarica. Basta quindi inserire i PAR nel flight case, collegarli all'alimentazione tramite gli otto connettori IEC inclusi nel case e infine collegare il connettore di alimentazione esterno al flight case a una presa di corrente.

Il sistema di illuminazione dei fari è costituito da 4 LED da 12W RGBW 4in1 ad alta luminosità con una durata di circa 50.000 ore. Ogni LED è dotato di una lente di alta qualità con angolo del fascio di luce di 15° e angolo di campo di 29°, che rende questo PAR ideale per tutte le applicazioni che vanno dal Wash a al Beam.

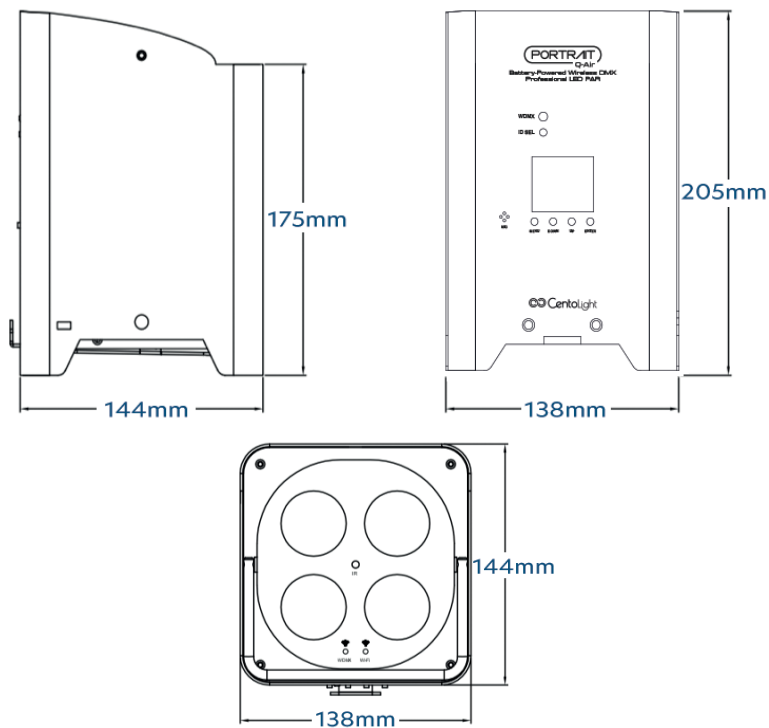
PORTRAIT Q-Air ha un telaio estremamente compatto e può essere inserito all'interno di una truss di 300x300mm e creare un meraviglioso effetto Wash all'interno della struttura di tralicci. L'apparecchio può anche essere posizionato su un pavimento uniforme e solido e funzionare come un normale punto-luce. E' inoltre dotato di un supporto con inclinazione regolabile. Spingendo la leva della piastra del dispositivo si può inclinare fino a 25 ° e proiettare l'effetto Wash su pareti o facciate.

La batteria al litio ad alta efficienza garantisce una carica completa da zero entro circa 5 ore, e una durata di lavoro che varia da 5 ore (modalità full color) a 12 ore (modalità single color). Il telecomando a infrarossi consente il controllo remoto delle funzioni principali senza l'uso del DMX.

3.1. Caratteristiche

- 4x LED RGBW 4in1 da 12 W ad alta efficienza e lunga durata
- Angolo del fascio di luce (Beam) 15°; Angolo del campo (Field) 29°
- CRI ≥ 90
- Funzionamento Flicker-Free (per riprese video)
- Controllo DMX-512 wireless a 2,4 GHz
- Controllo via cavo DMX-512
- Modalità di controllo Wi-Fi con App LED LAMP per dispositivi Android® e iOS®
- Controllo con telecomando a Infrarossi
- Supporto inclinazione regolabile 0°-25°
- Display a colori OLED con interfaccia intuitiva
- Batteria ricaricabile agli ioni di litio per un massimo di 12 ore di funzionamento
- Flight case da 8 unità con funzione di ricarica

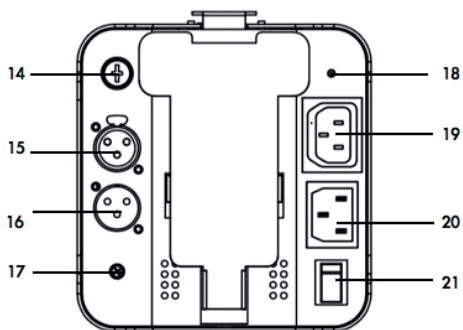
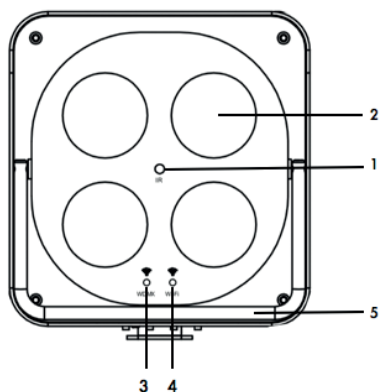
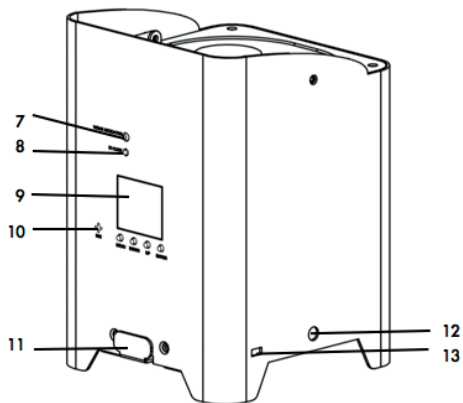
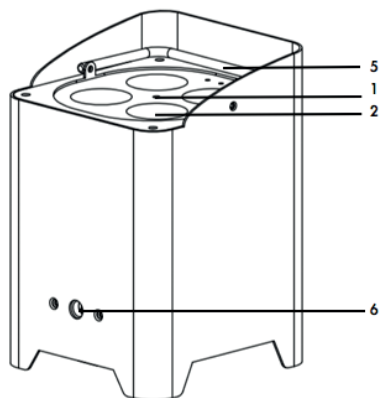
3.2. Dimensioni del Faro



3.3. Dimensioni del Flight Case



3.4. Descrizione di Comandi e Connessioni



- | | | |
|--------------------------------|--|---|
| 1. Sensore Infrarossi | 8. Tasto di Selezione ID | 14. Fusibile F5A 250V |
| 2. Led da 12W RGBW | 9. Display LCD | 15. Uscita DMX |
| 3. Indicatore del DMX Wireless | 10. Microfono | 16. Ingresso DMX |
| 4. Indicatore del Wi-Fi | 11. Supporto con Inclinazione Regolabile | 17. Messa a Terra |
| 5. Maniglia | 12. Foro per il cavo di Sicurezza | 18. Indicatore di Ricarica della Batteria |
| 6. Foro M10 per Staffa | 13. Slot per blocco tipo Kensington | 19. Uscita di Rete |
| 7. Tasto per il Pairing W-DMX | | 20. Ingresso di Rete |
| | | 21. Interruttore On/Off |

1) Pannello di controllo

Il pannello dei comandi è composto da un display OLED e da 4 pulsanti: **MENU**, **DOWN**, **UP** e **ENTER**.



- **Menu** Premere il pulsante MENU fino a visualizzare l'opzione desiderata.
- **Down** Consente lo scorrimento all'indietro nell'elenco dei menu e decrementa il valore della funzione corrente
- **Up** Consente lo scorrimento in avanti nell'elenco dei menu ed aumenta il valore della funzione corrente
- **Enter** Entra nel menu corrente o conferma il valore della funzione corrente.

3.5. Connessione di Alimentazione In/Out

- Assicurarsi sempre che la tensione della presa alla quale si sta connettendo il prodotto sia compatibile con le specifiche indicate nel paragrafo "10 - Specifiche Tecniche" a pagina 57 o sul pannello posteriore del prodotto (AC-110V-240V 50/60Hz).
- Assicurarsi che il cavo di rete non sia danneggiato o abbia fili scoperti. Non collegare mai questo prodotto a un Dimmer Pack o un Variatore di Tensione.
- Non scollegare mai il prodotto tirandolo con forza il cavo di alimentazione.
- Per evitare scosse elettriche, tutti gli apparecchi devono essere collegati a circuiti con interruttore automatico.
- La corrispondenza dei fili interni al cavo è la seguente:

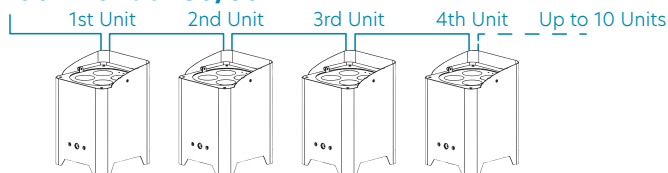
Colore Filo (EU)	Funzione	Nomenclatura Internazionale
Marrone	Fase	L
Blu	Neutro	N
Giallo/Verde	Terra	⊕

⚠ La Terra deve essere collegata! Prima di mettere in funzione per la prima volta, far approvare l'installazione da un esperto.

1) Connettore di Alimentazione di Rilancio

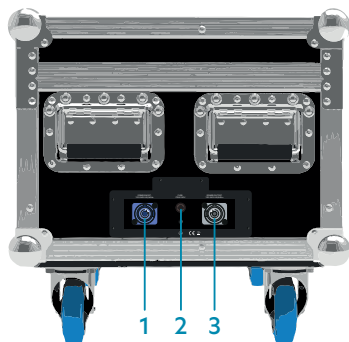
Questo apparecchio è dotato di un connettore di alimentazione di uscita da usare come sorgente di rete elettrica in caso di **connessione in cascata fino ad un massimo di 10 dispositivi.**

Mains Input 100-240Vac - 50/60Hz



2) Connettori di Ingresso/Uscita del Flight Case

Il flight Case del set PORTRAIT Q-AIR è dotato della funzione di carica per le 8 unità PORTRAIT Q-AIR collocate all'interno. Permette inoltre di collegare più flight case con connessione in cascata tramite i connettori Powercon di uscita.



- 1. Connettore di ingresso di alimentazione:** Collegare il cavo di rete incluso nel set a una presa con tensione di rete a 100-240Vac - 50/60Hz.
- 2. Porta-fusibile:** Fusibile F10AL / 250V (5x20mm). In caso di bruciatura del fusibile, per evitare il rischio di incendio e danneggiare l'unità, utilizzare solo un tipo di fusibile come descritto. Prima di sostituire il fusibile, assicurarsi che l'unità sia spenta e scollegata dalla presa di rete.
- 3. Connettore di uscita di alimentazione:** Questo apparecchio è dotato di un connettore di alimentazione di uscita da utilizzare come sorgente di rete elettrica in caso di collegamento in cascata fino a un massimo di 3 flight case.

3.6. Posizionamento del Dispositivo

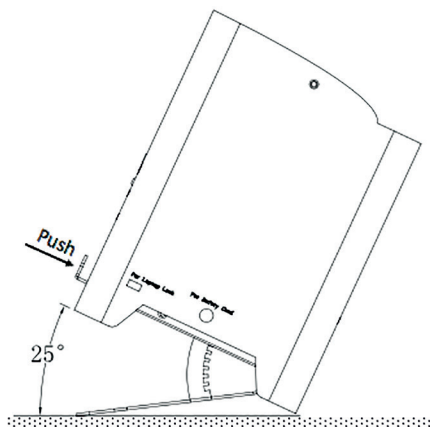
Il PORTRAIT Q-AIR può essere montato in diversi modi.

1) Installazione all'interno di un traliccio

Il dispositivo ha un telaio estremamente compatto e può essere inserito all'interno di un traliccio di 300x300mm.

2) Usò Verticale

Il Par può essere posizionato su un piano e funzionare in modo verticale. Ha anche una staffa con inclinazione regolabile. Spingendo la leva della piastra del dispositivo, è possibile variare l'inclinazione fino a 25° per avere l'effetto Wash su pareti.



3) Installazione su struttura a tralicci

PORTRAIT Q-AIR è dotato di un foro M10 per morsetto. È quindi possibile appendere il dispositivo su un traliccio o un altro tipo di struttura sospesa. Per ulteriori dettagli, consultare la gamma di accessori dedicati su www.centolight.com.

- Quando si installa il faro su un traliccio orizzontale o verticale, utilizzare sempre un cavo di sicurezza (opzionale). Occorre inoltre assicurarsi che la barra trasversale sia stabile e in grado di sopportare un peso di 36 kg (peso netto del dispositivo 3,6 kg).

⚠ Prestare attenzione alla sicurezza! Si prega di considerare rispettivamente la EN 60598-2-17 e lo standard nazionale durante l'installazione. Il rivenditore autorizzato deve eseguire solo l'installazione.

- L'installazione del dispositivo deve essere progettata e costruita in un modo che possa sopportare 10 volte il peso per 1 ora, senza alcun cedimento o danneggiamento della struttura. L'installazione deve essere sempre protetta con un dispositivo di sicurezza secondario, ad esempio un cavo di sicurezza. Questo dispositivo deve essere realizzato in un modo tale che nessuna parte del prodotto possa cadere se il fissaggio principale cedesse.
- Durante le operazioni di montaggio, smontaggio o manutenzione del faro è vietato consentire lo stazionamento o anche solo il passaggio nell'area sottostante. L'operatore deve assicurarsi che l'installazione e i sistemi di sicurezza siano approvati da un esperto prima di avviare per la prima volta il funzionamento o

dopo aver apportato qualsiasi modifica. Deve inoltre assicurarsi che un esperto approvi l'installazione e i dispositivi di sicurezza ogni anno.

⚠ ATTENZIONE: l'apparecchio deve essere installato aree esterne in cui le persone possono camminare o essere sedute.

⚠ IMPORTANTE: il montaggio su strutture sospese richiede un'esperienza specifica; tra cui (ma non soltanto) il calcolo dei limiti di carico di lavoro, la scelta del materiale di installazione e l'ispezione periodica del proiettore e dei dispositivi di sicurezza. Se non si dispone di tali qualifiche, è bene non procedere con l'installazione da soli, ma si consiglia di rivolgersi a professionisti specializzati.

- Se il faro deve essere alzato verso/o abbassato dal soffitto o da travi sospese, è consigliabile usare sistemi di tralacci professionali.
- In caso di installazione su parete, soffitto o traliccio, è richiesto l'uso di cavi di sicurezza come l' LW3-76A o l' LW4-76A (opzionali) e di adattatori a traliccio come le serie SLH e SQC (opzionali). Visita www.centolight.com per ulteriori dettagli.
- L'apparecchio non deve mai essere lasciato oscillare liberamente.

⚠ ATTENZIONE: utilizzare morsetti appropriati per montare il faro sul traliccio. Assicurarsi che esso sia fissato correttamente e che il traliccio stesso sia sicuro.

⚠ ATTENZIONE: l'apparecchio può causare gravi lesioni quando si schianta. Se hai dei dubbi sulla sicurezza di una possibile installazione, non installare l'apparecchio!

⚠ PERICOLO DI INCENDIO! Quando si installa il faro, assicurarsi che non vi sia alcun materiale altamente infiammabile (decorazioni, ecc.) entro una distanza di meno di 0,5 metri.

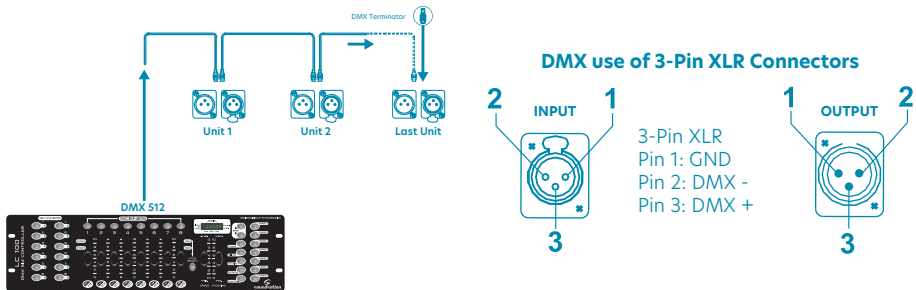
4 - CONTROLLO DMX

4.1 Controllo DMX Cablato

⚠ Quando si utilizza un controller DMX, assicurarsi che non vi siano fonti di interferenza (interfono, onde radio ad alta frequenza e sorgenti di radiazioni).

Gli apparecchi DMX sono progettati per ricevere dati attraverso una catena in cascata. Questo tipo di connessione permette di collegare il DMX OUT di un faro al DMX IN del dispositivo successivo. L'ordine in cui i prodotti sono collegati non è

importante e non ha alcun effetto su come un controllore comunica a ciascuna apparecchiatura. Utilizzare un ordine che preveda il cablaggio più semplice e diretto.



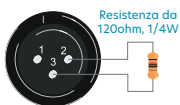
Collegare i dispositivi utilizzando un cavo bipolare schermato a 2 conduttori con connettori XLR maschio-femmina a 3 poli. La connessione dello schermo è il piedino 1, mentre il piedino 2 è negativo (S-) e il piedino 3 è positivo (S+).

⚠ ATTENZIONE: 1 fili non devono entrare in contatto l'uno con l'altro; altrimenti i dispositivi non funzioneranno affatto o non funzioneranno correttamente.

4.2. Terminatore DMX

DMX è un protocollo di comunicazione resiliente, tuttavia si potrebbero verificare occasionalmente degli errori. I terminatori riducono gli errori di segnale; è quindi consigliabile usarle quando si verificano problemi con comportamenti irregolari degli apparecchi; specialmente se la lunghezza dei cavi DMX è elevata.

Terminatore DMX



Il terminatore DMX è un connettore XLR con un resistore da 120Ω (ohm), 1/4 Watt collegato attraverso il segnale (-) e il segnale (+), rispettivamente, i pin 2 e 3, che viene quindi inserito nella presa di uscita sull'ultimo proiettore nella catena. Le connessioni sono illustrate di seguito.

⚠ Un cavo di segnale DMX standard può trasmettere segnali a 20 unità al massimo. E' necessario un amplificatore di segnale per collegare più apparecchi.

4.3. Indirizzamento DMX

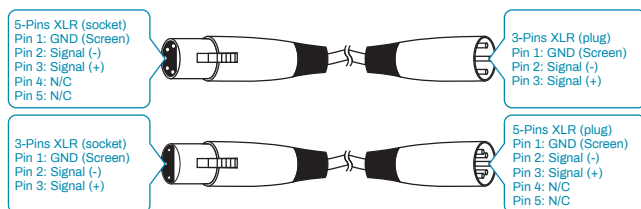
A ciascun dispositivo deve essere assegnato un indirizzo DMX in modo che questo risponda correttamente ai segnali di controllo. Questo indirizzo DMX è il numero del primo canale da cui l'apparecchiatura inizia a ricevere le informazioni di controllo digitale inviate dalla centralina.

Il PORTRAIT Q-AIR ha 2 modalità DMX: 6 e 8 canali. Per impostare l'indirizzo DMX dell'apparecchiatura, selezionare prima la modalità canale DMX seguendo il paragrafo "4 - Controllo DMX" a pagina 40. L'indirizzo DMX più alto per questo dispositivo è 512. Per impostare l'indirizzo iniziale DMX del dispositivo, seguire i passaggi seguenti:

- Premere i pulsanti "Up" o "Down" per l'impostazione dell'indirizzo DMX;
- Premere il pulsante "Enter" per salvare le impostazioni.

4.4. Cavi DMX 3-Poli/5-Poli

I protocolli di connessione DMX utilizzati dai produttori di centraline, teste mobili e fari non sono standardizzati in tutto il mondo. Tuttavia, due sono quelli più comuni: XLR a 5 poli e XLR a 3 poli. Se si desidera collegare questo faro a un dispositivo di ingresso XLR a 5 poli è necessario utilizzare un cavo adattatore o farlo da soli seguendo la corrispondenza di cablaggio tra gli standard di spina e presa a 3 e 5 poli



5 - CONTROLLO DMX WIRELESS

Il PORTRAIT Q-AIR può essere controllato a distanza da rice-trasmettitori wireless DMX come il SOUNDSATION AIRCOM 126 (visita www.soundsationmusic.com o conta-ta un rivenditore SOUNDSATION per ulteriori informazioni).

Il faro è dotato di un'interfaccia DMX512 wireless a 2,4 GHz che opera nella banda ISM a licenza libera da 2,400 a 2,525 GHz e adotta il sistema di modulazione GFSK ad alta efficienza. La distanza massima è di 300 m (senza ostacoli). Questa funzione wireless, considerando che il PORTRAIT Q-AIR è un dispositivo alimentato a batteria, elimina la necessità di cavi e garantisce una comunicazione DMX affidabile e con latenza molto bassa.

Un trasmettitore può gestire più ricevitori contemporaneamente. Questo significa, ad esempio, che una centralina DMX collegata a un trasmettitore a 2,4 GHz può controllare più di un PORTRAIT Q-AIR, applicazione molto comune in caso di più PAR in un flight case come il Set PORTRAIT Q-AIR. Naturalmente, i due o più ricevitori devono essere posizionati entro 300m dal trasmettitore.

Un'altra applicazione comune è, ad esempio, se in un locale con due piste da ballo (chiamiamole "zone") si desidera controllare entrambe con la stessa centralina. L'unico avviso è che gli apparecchi nella zona A devono utilizzare canali DMX diversi

da quelli utilizzati nella zona B.

⚠ NOTA: Si consiglia di non utilizzare due trasmettitori sullo stesso valore ID poiché, sebbene non vi sia alcun rischio di danni alle apparecchiature, questo sarebbe assolutamente inutile.

5.1 Codice ID e Colore LED

La comunicazione dei dati DMX avviene solo se il trasmettitore e il ricevitore hanno entrambi lo stesso codice ID. Si può assegnare un apparecchio a una delle 7 bande (o gruppi) disponibili premendo più volte il pulsante "ID SEL". A ciascun ID è assegnato un colore diverso, come mostrato nella tabella successiva.

ID	COLORE
1	Rosso
2	Verde
3	Rosso + Verde = Giallo
4	Blu
5	Rosso + Blu = Magenta
6	Verde + Blu = Ciano
7	Rosso + Verde + Blu = Bianco

5.2 Funzionamento DMX Wireless

Per utilizzare questa funzione, selezionare il menu "SET" sul display e premere "ENTER". Utilizzare il tasto "DOWN" per selezionare "2. 2.4g wireless". Premere "ENTER" e quindi "UP" per impostare il wireless su "ON". L'indicatore WDMX inizia a lampeggiare. Ciò significa che il faro è già collegato ad altre unità o a un trasmettitore wireless.



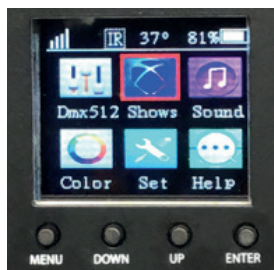
Ora è necessario impostare il trasmettitore per abbinare lo stesso gruppo ID. Per ulteriori informazioni, consultare il manuale dell'utente del trasmettitore.

Una volta stabilita la comunicazione (il LED rosso sarà sempre acceso), è necessario regolare il canale PORTRAIT Q-AIR DMX per adattarlo alla centralina. Ad esempio se il PAR è in modalità a 8 canali e il canale DMX è impostato su 1, la centralina può regolare i valori dei canali DMX da 1 a 8 in un intervallo compreso tra 0 e 255.

Tutti gli apparecchi con lo stesso colore dell'indicatore LED appartengono allo stesso gruppo e seguiranno le istruzioni dell'unità principale dello stesso gruppo.

6 - MODALITÀ CONTROLLO WI-FI

Nel menu principale, selezionare "Shows" e premere il pulsante "ENTER" per accedere al sotto-menu "Auto Mode". Utilizzare il pulsante "DOWN" per selezionare "Wi-Fi Mode", e quindi premere "ENTER". Il display visualizzerà quanto segue:



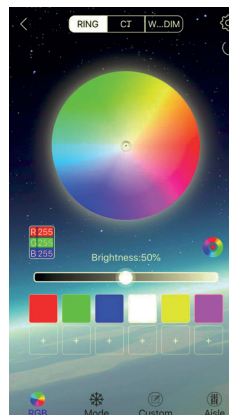
Sul display LCD a destra, è posizionato il punto di accesso Wi-Fi LED_XXX (in questo caso LED_213). Ora l'apparecchiatura funzionerà come un router con il nome Wi-Fi LED_XXX. Ora bisogna collegare il proprio dispositivo al punto di accesso.

Scaricare l'applicazione gratuita LED LAMP sul proprio smartphone. Questa applicazione è disponibile sia per iOS® che per Android®.



In alternativa, si può andare alla pagina "HELP" del PORTRAIT Q-AIR e premere il pulsante "ENTER". Quindi premendo i pulsanti "UP" o "DOWN": verrà visualizzato un codice QR. Inquadrare il codice per scaricare LED LAMP sul proprio Smartphone.

Una volta avviata l'app LED LAMP, vedrete diverse applicazioni nella sua pagina principale. Usate LED LIGHT per controllare i vostri fari PORTRAIT Q-AIR.



7 - CONFIGURAZIONE DEL DISPOSITIVO

Questo dispositivo ha una batteria al litio ricaricabile integrata. Dopo aver effettuato completamente la ricarica, accendere il dispositivo con l'interruttore di alimentazione posizionato nella parte inferiore dell'unità. Questa inizierà a funzionare e potrà essere controllata da una centralina DMX wireless, un telecomando IR e anche uno smartphone. Al termine dell'utilizzo, spegnere il faro tramite l'interruttore di alimentazione.

MENU	ENTER	UP/DOWN	DESCRIZIONE
DMX512	A001-512	001-512	Impostazione indirizzo DMX
SHOWS	1. Auto Color	VELOCITÀ' 01 - 99	Cambio colore senza dissolvenza
	2. Auto Fade	VELOCITÀ' 01 - 99	Cambio colore con dissolvenza
	3. Auto Sudden	VELOCITÀ' 01 - 99	Cambio colore con dissolvenza fino all'oscuramento
	4. Auto Strobe	VELOCITÀ' 01 - 99	Strobo con LED acceso
	5. Wi-fi mode	On	Modalità Wi-Fi. Viene mostrato il punto di accesso Wi-Fi
SOUND	Sound mode 1	001 - 100	Modalità "Sound" con sensibilità del microfono regolabile
	Sound mode 2	001 - 100	
	Sound mode 3	001 - 100	
	Sound mode 4	001 - 100	
COLOR	Custom Color	Rosso: 000-255	Colori personalizzati
		Verde: 000-255	
		Blu: 000 - 255	
		Bianco: 000 -255	
	Static color	Color 01 - 15	Colori Statici

SET	1. DMX channel	4CH	Modalità 4 Canali
		8CH	Modalità 8 Canali
	2. 2.4G wireless	ON/OFF	Wireless On/Off
	3. Infrared	ON/OFF	Telecomando On/Off
	4. Display back-light	0-100%	Luminosità del display LCD
	5. LCD close time	Open-5S-10S-15S-30S	Tempo di chiusura del display LCD quando non vengono eseguite operazioni
6. Restore factory	0 0 0 0	Impostazione di fabbrica di tutti i parametri . Password: 8888	
HELP	Name:	PORTRAIT-412	Modello dispositivo
	Version	V4.6	Versione Firmware
	DMX Channel	4/8CH	Modalità Canale DMX
	Run Time	00:00	Tempo di utilizzo corrente
	User Time	00:00	Tempo di utilizzo totale
	Temperature:	Xx °C	Temperatura del dispositivo
	LED WI-FI		WLAN: LED_XXX. Applicazione LED LAMP sullo smartphone

7.1. Velocità di Scansione del Dimmer (Flicker-Free)

Il PORTRAIT Q-AIR è adatto a riprese video in quanto ha un funzionamento "flicker-free", ovvero la frequenza di scansione del controllo dimmer può essere regolata da 1kHz a 20kHz. Più questo valore è elevato, più diminuisce l'effetto di sfarfallio - non indicato in caso di riprese - visibile quando una telecamera riprende la sorgente luminosa.

Per controllare e/o regolare la velocità di aggiornamento, andare al menu DMX512, premere ENTER per accedere al sotto-menu e selezionare A001. Quindi, premere MENU per alcuni secondi. Vedrai "Frequenza Dimmer" e potrai selezionare valori compresi tra 1kHz e 20kHz premendo i pulsanti UP/DOWN.

8 - FUNZIONAMENTO

8.1. Modalità di controllo DMX

Questa funzione consentirà agli utenti di controllare singoli fari con una console DMX512 standard. Di seguito sono riportate le tabelle dei canali DMX. Il PORTRAIT Q-AIR ha due modalità di canale DMX, 4 canali e 8 canali.

Per impostare i canali DMX, selezionare "Set" nella pagina del menu principale e premere "ENTER". Utilizzare i pulsanti "UP" o "DOWN" per selezionare "1. DMX channel". Premere il pulsante "ENTER" e quindi i pulsanti "UP" o "DOWN" per selezionare 4CH o 8CH. Premere "ENTER" per salvare l'impostazione e quindi premere il pulsante "MENU" per uscire dal sotto-menu corrente.

MODALITA' CANALE	CANALE DMX	DESCRIZIONE	INTERVALLO VALORI	IMPOSTAZIONE/FUNZIONE
4CH	1	Rosso	0-255	0%-100%
	2	Verde	0-255	0%-100%
	3	Blu	0-255	0%-100%
	4	Bianco	0-255	0%-100%
8CH	1	Dimmer	0-255	0%-100%
	2	Rosso	0-255	0%-100%
	3	Verde	0-255	0%-100%
	4	Blu	0-255	0%-100%
	5	Bianco	0-255	0%-100%
	6	Strobo	0-255	Da lento a veloce
	7	Programmi Preimpostati	0-008	Tutto spento
			009-050	Miscelazione Colori (15 Colori)
			051-100	Cambio Colore
			101-150	Cambio improvviso del colore
			151-200	Dimmer del Colore In/Out
			201-220	Modalità Sound 1
221-240			Modalità Sound 2	
241-255	Modalità Sound 3			
8	/	001-255	Velocità	

8.2 Modalità Master/Slave

In modalità Master/Slave, un dispositivo funzionerà come Master e tutti gli altri dispositivi collegati in cascata funzioneranno in sincronia con il dispositivo Master.

1) Master/Slave con CAVO DMX

Prima di tutto, collegare tutti gli apparecchi in cascata con cavi DMX. Quindi configurare il dispositivo come di seguito:

1. Impostare sul dispositivo Master il menu principale, come mostrato nell'immagine seguente. Questo dispositivo funzionerà come unità principale (Master).



- Impostare l'indirizzo DMX di tutti gli altri dispositivi di su A001 come mostrato di seguito e mantenere il display LCD su questa impostazione durante il funzionamento. Tutti i dispositivi collegati funzioneranno come unità Slave.



- Selezionare un programma preimpostato (Static color/Auto mode/Sound mode) sull'unità Master. Tutti i dispositivi Slave eseguiranno lo stesso programma in modo sincrono con l'unità Master.



2) Master/Slave in Modalità Wireless

PORTRAIT Q-AIR ha 7 ID wireless con 7 diversi colori per l'indicatore LED. Per far funzionare i dispositivi in modalità Master/Slave, eseguire le seguenti operazioni:

Prima di tutto, premere il pulsante <ID CODE> per selezionare il gruppo wireless. Mantenere tutti gli indicatori W-DMX del dispositivo sullo stesso colore. Ciò significa che tutti i PAR sono nella stessa banda wireless (nello stesso gruppo).



Ora è necessario impostare il dispositivo come spiegato di seguito.

1. Impostare sul dispositivo Master il menu principale, come mostrato nell'immagine seguente. Questo dispositivo funzionerà come unità principale (Master)



2. Impostare l'indirizzo DMX di tutti gli altri dispositivi di su A001 come mostrato di seguito e mantenere il display LCD su questa impostazione durante il funzionamento. Tutti i dispositivi collegati funzioneranno in modalità wireless come unità Slave



3. Selezionare un programma preimpostato (Static color/Auto mode/Sound mode) sull'unità Master. Tutti i dispositivi Slave eseguiranno lo stesso programma in modo sincrono con l'unità Master.

8.3. Modalità Auto Run

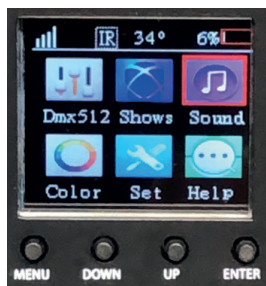
E' possibile eseguire programmi preimpostati in modalità automatica. Selezionare "SHOW" e premere il pulsante ENTER". Il display visualizzerà quanto segue:



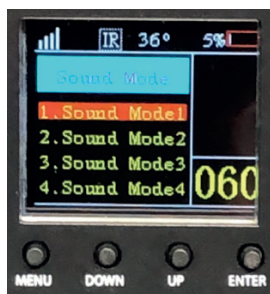
Si possono selezionare 4 programmi automatici. Premere "ENTER" per regolare la velocità da 01 a 99.

8.4. Modalità Sound

Il dispositivo può funzionare in modalità "Sound" attivando i programmi preimpostati per seguire la musica. Premere il pulsante "MENU", e quindi premendo i pulsanti "UP" o "DOWN", selezionare "Sound".



Premendo il pulsante "ENTER" Il display visualizzerà quanto segue:



Ci sono 4 modalità "Sound". Selezionandone una qualsiasi, questa verrà eseguita. Premere il pulsante "ENTER" e quindi premere i pulsanti "UP" o "DOWN" per regolare, dall'alto verso il basso, la sensibilità del microfono interno al suono (da 000 a 100).

8.5. Colori Personalizzati

Gli utenti possono programmare i propri effetti colore e salvarli nel dispositivo. Seguire i passaggi seguenti:

Premere il pulsante "MENU" e quindi premere i pulsanti "UP" o "DOWN" per selezionare "Color"; A questo punto premendo il pulsante "ENTER", il display visualizzerà quanto segue:



Premere di nuovo il pulsante "ENTER" per accedere alla seguente pagina:



Premere di nuovo il pulsante "ENTER" per selezionare il colore desiderato da personalizzare. Quindi premere i pulsanti "UP" o "DOWN" per regolare l'intensità del colore. Per salvare il valore e passare automaticamente al core desiderato successivo, premere il pulsante "ENTER". Per uscire dalla pagina corrente premere il pulsante "MENU".

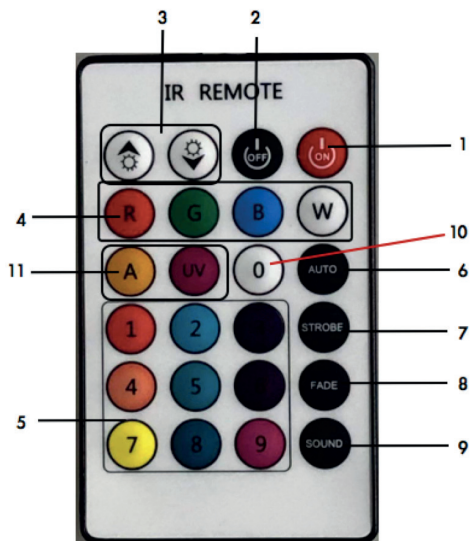
8.6. Telecomando IR






Questa modalità operativa consente agli utenti di controllare l'apparecchiatura con un telecomando a infrarossi.

Per attivare il telecomando a infrarossi, selezionare "Set" nel menu principale e quindi premere il pulsante "ENTER" per accedere al sotto-menu. Utilizzare il pulsante "DOWN" per selezionare "3. Infrared". Premere "ENTER", quindi premere i pulsanti UP o DOWN per impostare ON. Premere ENTER per salvare l'impostazione. Per uscire

dalla pagina del sotto-menu corrente premere il pulsante MENU.

Per controllare il dispositivo con il telecomando, assicurarsi di puntarlo direttamente verso i sensori di ricezione IR del dispositivo. Assicurarsi che non vi siano oggetti tra il telecomando il dispositivo.



1. Accende il dispositivo
2. Imposta il dispositivo in blackout (tutti i LED spenti)
3. Regola la velocità di auto/strobo/ dissolvenza e la sensibilità del microfono.
4. Imposta l'apparecchiatura sul colore statico ROSSO VERDE BLU BIANCO.
5. Colori preimpostati.
6. Esegue la modalità automatica. Usare i pulsanti  per regolare le velocità in modalità "Auto"
7. Esegue programmi strobo. Usare i pulsanti  per regolare le velocità della strobo
8. Esegue i programmi di dissolvenza. Usare i pulsanti  per regolare le velocità della dissolvenza
9. Esegue la modalità "Sound". Usare i pulsanti  per regolare la sensibilità del microfono interno.
10. Seleziona i colori statici. In combinazione con i pulsanti  consente di eseguire 15 colori statici nel menu "Colore" (leggere la tabella nel paragrafo "7 - Configurazione del Dispositivo" a pagina 45).
11. Il dispositivo ha LED in quadricromia RGBW. Questi due pulsanti non hanno alcuna funzione

9 - MANUTENZIONE

9.1 Manutenzione Generale

L'operatore deve assicurarsi che le installazioni relative alla sicurezza e tecniche della macchina debbano essere periodicamente ispezionate da un esperto, secondo la legislazione locale. Durante un test di accettazione, si prega di controllare i

seguenti punti.

- Assicurarsi che i collegamenti siano puliti e completamente asciutti prima di collegare l'apparecchiatura o fornire energia elettrica.
- Tutte le viti utilizzate per l'installazione del dispositivo o delle parti del dispositivo devono essere serrate in modo sicuro e non devono essere corrose.
- Il dispositivo ha lenti ottiche; gli utenti devono pulire periodicamente le lenti per ottimizzare l'emissione di luce. La frequenza di pulizia dipende dall'ambiente in cui è installato il dispositivo. Un ambiente umido, fumoso o particolarmente sporco può causare un maggiore accumulo di sporco sulle lenti. Anche in un ambiente pulito, si consiglia di pulire l'obiettivo e l'alloggiamento almeno una volta al mese. Si consiglia di utilizzare un panno morbido con un normale detergente per vetri.

Durante la manutenzione devono essere considerati seguenti punti:

- Spegnere l'apparecchiatura prima di pulirla.
- Pulire l'obiettivo con una soluzione delicata di detergente per vetri o alcool isopropilico e un panno di cotone morbido privo di lanugine o un panno per la pulizia delle lenti.
- Lucidare delicatamente le superfici di vetro esterne fino a renderle prive di opacità e residui.

1) Sostituzione del fusibile

Il dispositivo ha un fusibile interno sostituibile incorporato nella base. In caso di fusibile bruciato, è necessario sostituirlo. Scollegare l'apparecchiatura dall'alimentazione, aprire il portafusibili ruotandolo in senso antiorario; rimuovere il fusibile bruciato dal supporto e sostituirlo con uno dello stesso tipo con classificazione esatta. Chiudere il portafusibili ruotandolo in senso orario per stringerlo. Riavvitare la base sull'alloggiamento.

Sostituire sempre un fusibile bruciato con un altro dello stesso tipo e valore (consultare "10 - Specifiche Tecniche" a pagina 57).

9.2 Manutenzione e Carica della Batteria

Il PORTRAIT Q-AIR è dotato di una batteria al litio ricaricabile e di un circuito di ricarica auto-range integrato. Per ulteriori dettagli sul pacco batteria, consultare "10 - Specifiche Tecniche" a pagina 57.

Seguire le istruzioni seguenti per garantire un uso, una durata e una manutenzione corretti.

⚠ Conservare sempre gli apparecchi con la batteria carica. Non conservare mai la batteria quando è completamente scarica. Ricaricare sempre immediatamente quando è scarica. Le batterie parzialmente cariche perderanno capacità. Ricaricare completamente ogni 6 mesi se non utilizzato.

⚠ Rimuovere sempre il fusibile della batteria se l'apparecchiatura verrà conservata per lungo tempo (più di 6 mesi).

⚠ Prima di caricare l'apparecchiatura, assicurarsi che la tensione e la frequenza dell'alimentazione corrispondano ai requisiti di alimentazione del prodotto.

⚠ Quando si caricano dispositivi nel flight case, caricare sempre con la custodia aperta. Si consiglia di caricare a una temperatura compresa tra 0 ° C e 35 ° C

⚠ L'autonomia della batteria diminuirà di volta in volta e potrebbe essere leggermente più breve di quanto previsto a causa dei diversi ambienti di lavoro.

Per caricare la batteria, collegare il cavo di alimentazione all'ingresso di alimentazione IEC dell'apparecchiatura e collegare il cavo di alimentazione alla rete elettrica. La batteria inizierà a caricarsi automaticamente. Il caricabatterie ha un ingresso a 100-240 V CA, 50/60 Hz. Un tempo di ricarica normale è di circa 5 ore.

C'è un indicatore di carica sulla base che controlla lo stato della durata della batteria. Quando la capacità della batteria è inferiore al 30%, la luce gialla inizierà a lampeggiare. In questo caso, caricare immediatamente la batteria fino a quando non è completamente carica al 100%. La luce rossa si accenderà per tutto il tempo di ricarica. Una volta che la batteria è completamente carica, l'indicatore si accende in verde. Scollegare l'apparecchiatura dalla fonte principale, ora l'apparecchiatura può funzionare senza cavi.

Si consiglia di caricare l'apparecchiatura a una temperatura ambiente compresa tra 0 ° C e 35 ° C.

Quando si caricano le batterie con i dispositivi nel flight case, assicurarsi di tenere aperta la custodia. Se l'apparecchiatura è carica ma non in funzione, tenere sempre l'interruttore di accensione su "Off".

⚠ Nota: Quando la batteria deve essere sostituita, utilizzare soltanto quella originale fornita dal produttore.

9.3 Sostituzione della batteria

Questo apparecchio è dotato di un pacco batteria ricaricabile agli ioni di litio (14,8 V - 5,2 Ah - tipo 18650-4S2P). Quando la batteria si esaurisce, è necessario sostituirla con una nuova. Queste batterie possono essere acquistate da rivenditori specializzati.

Ti consigliamo di contattare un centro di assistenza autorizzato CENTOLIGHT, poiché la sostituzione comporta lo smontaggio del dispositivo. Non è particolarmente difficile, ma potrebbe essere necessario utilizzare una stazione saldatrice e sostituire alcuni fermagli di fissaggio per collegare i due poli del nuovo pacco batteria ai fili

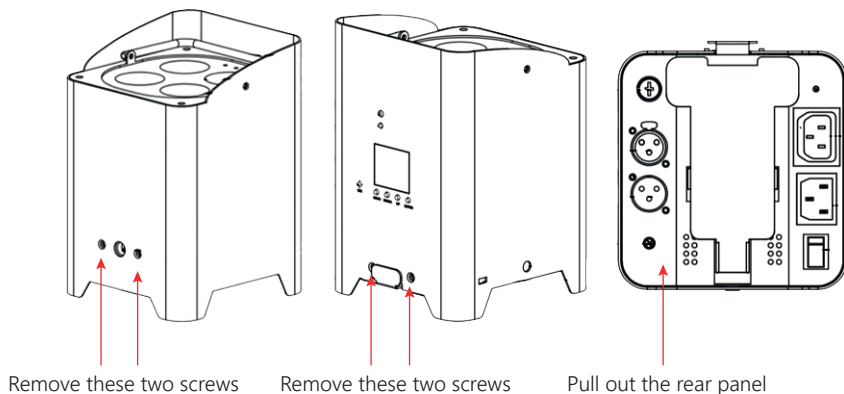
preesistenti. In ogni caso, per guidarti nell'acquisto del giusto pacco batteria, controlla i seguenti dettagli.

- Tipo di batteria : ricaricabile agli ioni di litio di tipo 18650-4S2P
- Voltaggio / corrente della batteria: 14.8V - 5.2Ah
- Dimensioni del pacco batteria 65 x 75 x 35 mm



Per sostituire la batteria, procedere come segue:

1. Rimuovere le quattro viti mostrate nella figura seguente:



2. Ora puoi accedere al pacco batteria.
3. Se il connettore della batteria del nuovo pacco non corrisponde a quello vecchio, è necessario tagliarlo e saldare i poli ai fili originali. Prestare attenzione alla polarità: il filo rosso è positivo; il filo nero è negativo.

⚠ ATTENZIONE: Ti consigliamo di contattare un centro di assistenza autorizzato CENTOLIGHT.

9.4. Istruzioni per la sicurezza e lo smaltimento della batteria

Seguire le istruzioni seguenti per la manipolazione sicura e il corretto smaltimento delle batterie da parte dell'utente.

Assicurarsi che la batteria venga smaltita correttamente in base alle leggi locali quando si esaurisce, in modo da proteggere l'ambiente. Alcune batterie possono essere riciclate e possono essere accettate per lo smaltimento presso il centro di riciclaggio locale.

- Si prega di contattare l'assistenza clienti SOUNDSATION in caso di domande sulla corretta gestione delle batterie. Le batterie possono presentare un rischio di incendio, esplosione o ustioni chimiche se non trattate in modo adeguato.
- Non disassemblare, forare, modificare, far cadere, lanciare o provocare altri shock non necessari alle batterie.
- Non gettare le batterie nel fuoco o nell'inceneritore di rifiuti, né lasciarle in luoghi caldi come un'automobile alla luce diretta del sole.
- Non conservare le batterie vicino a un forno, una stufa o un'altra fonte di calore.
- Non collegare le batterie direttamente a una fonte elettrica, come una presa di corrente dell'edificio o un punto di alimentazione dell'automobile.
- Non posizionare le batterie in un forno a microonde o in altri contenitori ad alta pressione.
- Non immergere le batterie in acqua o bagnarle in altro modo.
- Non cortocircuitare le batterie; ad esempio, non trasportare batterie scariche in una tasca o in una borsa con altri oggetti metallici, che potrebbero inavvertitamente causare un corto circuito della batteria.
- Non utilizzare batterie o, caricare batterie ricaricabili, che sembrano avere perdite scolorite, arrugginite, deformate; che emettono uno strano odore; o sono, in qualche altro modo, anormali.
- Non toccare direttamente le batterie che hanno perdite; indossare guanti in materiale protettivo per rimuovere le batterie e quindi, smaltirle immediatamente in modo corretto.
- Non invertire la polarità (terminali positivi e negativi) delle batterie.
- Non continuare a caricare le batterie oltre il tempo specificato.
- Non fare toccare le batterie ai bambini piccoli e conservarle dove i bambini non possano accedere.
- Non mettere le batterie in bocca. In caso di ingestione, contattare immediatamente il medico o il centro antiveleni locale.

10 - SPECIFICHE TECNICHE

10.1. Specifiche Tecniche del PORTRAIT Q-AIR

Sorgente luminosa	4 x LEDs 10W RGBW 4in1
Angolo del Fascio luminoso	15°
Angolo Campo Illuminato	29°
Durata vita dei LEDs	50,000 ore
Funzionamento Flicker-Free	Sì (frequenza regolabile tra 1kHz e 20kHz)
Modalità di controllo	DMX512, Master/Slave, Auto, Wireless DMX, Telecomando IR, Controllo Wi-Fi
Canali DMX	Modalità 4Ch o 8Ch selezionabili
Pannello di Controllo	Display LCD
Alimentazione in Ingresso	100-240VAC 50/60Hz
Consumo in Potenza	Max. 45W
Fusibile	F5A-250V
Connettori di alimentazione	IEC Ingresso / Uscita
Tipo di Batteria	Ricaricabile agli ioni di litio 14.8V - 5.2Ah LG18650-4S2P
Dimensioni del pacco batteria	65 x 75 x 35 mm
Tempo di Carica	Circa 5 Ore
Durata della batteria	5 ore a colori pieni a partire da una carica completa
	8 ore durante l'esecuzione di programmi preimpostati
	12 ore di funzionamento a colore singolo
Temperatura di lavoro	-10°C - 45°C
Temperatura di carica	0°C - 45°C
Valutazione IP	IP20
Raffreddamento	Raffreddamento naturale con funzionamento silenzioso
Materiale Involucro	Metallo rigido
Colore Involucro	Nero
Dimensioni (LxPxA)	138 x 144 x 205mm (5.43 x 5.67 x 8.07 in)
Peso Netto	3.6 kg - 7.94 lbs.

10.2. Specifiche Tecniche del PORTRAIT Q-AIR CASE

Alimentazione	100-240VAC 50/60Hz
Consumo	Max. 400W
Fusibile	F10A-250V
Connettori di Alimentazione	Powercon Input / Output
Dimensioni (LxPxA)	755 x 455 x 485 mm (29.72 x 17.91 x 19.09 inch)
Peso	51 kg - 112.5 lbs. (incluso 8 Pars e accessori)

Nota: i nostri prodotti sono soggetti a un processo di sviluppo continuo. Pertanto le modifiche alle caratteristiche tecniche restano soggette a modifiche senza preavviso.

11 - GARANZIA E ASSISTENZA

Tutti i prodotti CENTOLIGHT sono coperti da garanzia di due anni. Essa è valida dalla data di acquisto, come indicato dal documento di acquisto. I seguenti casi/componenti non sono coperti dalla garanzia di cui sopra:

- Tutti gli accessori forniti con il prodotto
- Uso improprio
- Guasto dovuto all'usura
- Ogni modifica del prodotto effettuata dall'utente o da terzi

CENTOLIGHT soddisfa gli obblighi di garanzia dovuti a eventuali materiali non conformi o difetti di fabbricazione, rimediando gratuitamente e a discrezione di CENTOLIGHT, sia mediante riparazione o sostituendo singole parti o l'intero apparecchio. Eventuali parti difettose rimosse da un prodotto durante il corso di una richiesta di garanzia diventano di proprietà di CENTOLIGHT.

Durante il periodo di garanzia, i prodotti difettosi possono essere restituiti al rivenditore CENTOLIGHT con prova di acquisto originale. Per evitare danni durante il trasporto, si prega di utilizzare l'imballo originale (se disponibile). In alternativa, inviare il prodotto a SERVICE CENTER CENTOLIGHT - Via Enzo Ferrari, 10 - 62017 Porto Recanati - Italia. Per inviare un prodotto al centro di assistenza è necessario un numero di RMA. Le spese di trasporto devono essere coperte dal proprietario del prodotto.

Per ulteriori informazioni visitate il sito www.centolight.com

12 - AVVISO UE E SEE (NORVEGIA, ISLANDA, LIECHTENSTEIN)



LEGGETE ATTENTAMENTE - Questo simbolo indica che il prodotto non deve essere smaltito con i rifiuti domestici, in base alla direttiva RAEE (2202/96/CE) e legislazione nazionale.

Il prodotto deve essere consegnato a un centro di raccolta differenziata o, in caso di ritiro dell'usato quando si acquista un nuovo prodotto simile, ad un rivenditore autorizzato per il riciclaggio di apparecchiature elettriche ed elettroniche (WEEE).

Un uso improprio di questo tipo di rifiuti può avere un impatto negativo sull'ambiente e sulla salute umana a causa di sostanze potenzialmente pericolose che sono generalmente associate alle apparecchiature elettriche ed elettroniche. Allo stesso tempo, la vostra collaborazione per il corretto smaltimento di questo prodotto contribuirà a un utilizzo efficace delle risorse naturali.

Per ulteriori informazioni sui punti di raccolta delle apparecchiature da rottamare, contattate il comune, l'autorità di gestione dei rifiuti, strutture coinvolte nel sistema RAEE o il servizio di smaltimento dei rifiuti domestici.



www.centolight.com



MADE IN CHINA

This product is imported in EU by
Questo prodotto viene importato nella UE da

FRENEXPORT SPA - Via Enzo Ferrari, 10 - 62017 Porto Recanati - Italy

CentoLight® is a registered trademark of FRENEXPORT SPA - Italy
CentoLight® è un marchio di fabbrica registrato di FRENEXPORT SPA - Italia



www.centolight.com