



## Thesis 1915Z

19 x 15W LED Moving Head with zoom  
19 x 15W Testa Mobile a LED con zoom

User Manual

Manuale Utente

Carefully read this manual and properly take care of it  
Leggete questo manuale e conservatelo per future consultazioni



Dear customer,

First of all thanks for purchasing a CENTOLIGHT® product. Our mission is to satisfy all possible needs of light designers and professionals of entertainment lighting, by offering a wide range of products based on the latest technologies.

We hope you will be satisfied with this fixture and, if you want to collaborate, we are looking for a feedback from you about product operation and possible improvements to be introduced in the next future. Go to our website [www.centolight.com](http://www.centolight.com) and send an e-mail with your opinion; this will help us to build equipment ever closer to professional's real requirements.

The CENTOLIGHT Team

---

Gentile Cliente,

Grazie per aver scelto un prodotto CENTOLIGHT®. La nostra missione è quella di soddisfare ogni possibile richiesta da parte di light designers e professionisti dell'illuminotecnica per l'intrattenimento, offrendo una vasta gamma di apparecchiature basate su tecnologie di ultima generazione.

Speriamo di aver soddisfatto le vostre aspettative e, se voleste collaborare, saremo lieti di ricevere un vostro feedback sulla qualità del prodotto al fine di migliorare costantemente la nostra produzione. Visitate il nostro sito [www.centolight.com](http://www.centolight.com) ed inviateci una mail con la vostra opinione; questo ci aiuterà a sviluppare nuovi prodotti quanto più vicini alle vostre esigenze.

Il Team CENTOLIGHT

# TABLE OF CONTENTS

<b>1 - Before you Begin</b>	<b>4</b>
1.1. What is included- - - - -	4
1.2. Unpacking Instructions - - - - -	4
1.3. Accessories - - - - -	4
1.4. Disclaimer - - - - -	5
<b>2 - Safety Instructions</b>	<b>5</b>
<b>3 - Mounting and Rigging</b>	<b>6</b>
3.1. Rigging - - - - -	6
3.2. Water / Moisture - - - - -	6
3.3. Heat - - - - -	7
3.4. Servicing - - - - -	7
<b>4 - Introduction</b>	<b>7</b>
4.1. Features - - - - -	8
<b>5 - Product Description</b>	<b>9</b>
5.1. Front Panel - - - - -	9
5.2. Rear Panel - - - - -	10
5.3. About Power Connection - - - - -	10
5.4. About Dmx Connection - - - - -	11
5.5. DMX Terminator - - - - -	12
5.6. 3-Pin vs 5-Pin DMX cables - - - - -	12
<b>6 - Menu Operation</b>	<b>13</b>
<b>7 - DMX Channel Modes</b>	<b>19</b>
7.1. 14CH Mode - - - - -	19
7.2. 26CH Mode - - - - -	21
7.3. 30CH Mode - - - - -	24
<b>8 - Specifications</b>	<b>28</b>
<b>9 - Warranty And Service / Warning</b>	<b>28</b>

## 1 - BEFORE YOU BEGIN

Thank you for purchasing THESIS 1915Z. Enjoy your new equipment and make sure to read this manual carefully before operation! This user manual is made to provide both an overview of controls, as well as information on how to use them.

### 1.1. What is included

Package include:

- Moving Head
- 1 x Power Cord (EU plug - PowerCon)
- 1 x DMX Cable (3-Pin XLR Male to Female)
- 2 x Fast-Lock Omega Clamps
- User manual

**⚠ ATTENTION: Packaging bag is not a toy! Keep out of reach of children!!! Keep in a safe place the original packaging material for future use.**

### 1.2. Unpacking Instructions

Carefully unpack the product immediately and check the content to make sure all the parts are in the package and are in good condition.

If the box or the contents (the product and included accessories) appear damaged from shipping, or show signs of mishandling, notify the carrier or dealer/seller immediately. In addition, keep the box and contents for inspection.

If the fixture must be returned to the manufacturer, it is important that it is returned in the original manufacturer box and packing. Please do not take any action without first contacting your dealer or getting in touch with our after-sales support service (visit [www.centolight.com](http://www.centolight.com) for details).

### 1.3. Accessories

CENTOLIGHT can supply a wide range of quality accessories that you can use with your THESIS Series equipment, like Cables, Splitters, DMX controllers, Consumables, and a wide range of other fixtures.

All products in our catalogue has been long tested with this device, so we recommend you to use Genuine CENTOLIGHT Accessories and Parts.

Ask your CENTOLIGHT dealer or check out our website [www.centolight.com](http://www.centolight.com) for any accessories you could need to ensure best performance of the product.

## 14. Disclaimer

The information and specifications contained in this User Manual are subject to change without notice. CENTOLIGHT assumes no responsibility or liability for any errors or omissions and reserves the right to revise or to create this manual at any time.

**Copyright© 2023 CENTOLIGHT. All rights reserved.**

## 2 - SAFETY INSTRUCTIONS

- Read these instructions
- Keep these instructions
- Heed all warning
- Follow all instructions



The symbol is used to indicate that some hazardous live terminals are involved within this apparatus, even under the normal operating conditions, which may be sufficient to constitute the risk of electric shock or death.



The symbol is used to describe important installation or configuration problems. Not following advice and information on how to avoid such problems may lead to product malfunction.



This symbol indicates a protective grounding terminal.

### WARNING:

Describes precautions that should be observed to prevent the danger of injury or death to the operator.



To protect the environment, please try to recycle packing material and exhausted consumables as much as possible.



This symbol indicates that the fixture is intended to indoor use only. Keep the machine dry and do not expose to rain and moisture.



Don't throw this product away just as general trash, please deal with the product follow the abandon electronic product regulation in your country.

## 3 – MOUNTING AND RIGGING

**⚠ Pay attention to safety! Please respectively consider the EN 60598-2-17 and the national standard during the installation. Only authorized technicians can carry out the installation.**

### 3.1 Rigging

- The installation of the fixture has to be built and constructed in a way that it can hold 10 times the weight for 1 hour without any harming demolition. The installation must always be secured with a secondary safety attachment, e.g. an appropriate catch net. This secondary safety attachment must be constructed in a way that no part of the installation can fall down if the main attachment fails.
- When rigging, de-rigging or servicing the fixture staying in the area below the installation place, on bridges, under high working places and other endangered areas is forbidden. The operator has to make sure that the safety measure and the machine's technical installation is approved by an expert before taking into operation for the first time and after changes before taking into operation another time. He has also to make sure that an expert approves safety measure and the machine's technical installation once a years.

**⚠ IMPORTANT: Overhead rigging requires extensive experience, including (but not limited to) calculating working load limits, installation material being used, and periodic safety inspection of all installation material and the projector. If you lack these qualifications, do not attempt the installation yourself, but instead use a professional structural rigger. Improper installation can result in bodily injury or property loss.**

- If the fixture shall be lowered from the ceiling or high joists, professional trussing systems have to be used. The fixture must never be fixed swinging freely in the room.

**⚠ CAUTION: Use appropriate clamps to rig the fixture on the truss. Make sure that the device is fixed properly! Ensure that the structure (truss) to which you are attaching the fixtures is secure.**

### 3.2 Water / Moisture

- The product is for indoor use. In order to prevent risk of fire or electric shock, do not expose to rain or moisture

- The unit can not be used near water; for example near a bathtub, a kitchen sink, a swimming pool, etc.

### 3.3. Heat

- Do not use in a confined space. Always install the product in a location with adequate ventilation, at least 20in (50 cm) from adjacent surfaces. Be sure that no ventilation slots on the product's housing are blocked.
- The apparatus should be located away from heat sources such as radiators, stoves or other appliances that produce heat.



**Don not use it when maximum ambient temperature is higher than 40°C Work temperature ranges from -20°C to 40°C (-4°F to 104°F).**

### 3.4. Servicing

- Do not implement any servicing other than those means described in the manual. Refer all servicing to qualified service personnel only. The internal components of the equipment must be purchased from the manufacturer. Only use accessories/attachments or parts recommended by the manufacturer.

## 4 - INTRODUCTION

The THESIS series offers a wash-light moving head with, 19 powerful and reliable 15W RGBW LEDs. They represent a valid alternative to normal discharge lamps with all the benefits of LED technology: low consumption, longer life, lower temperature dissipation. The light beam ranges from 10° to 60°, thanks to the ZOOM function controlled by high quality motors, which give an extremely soft and silent adjustment.

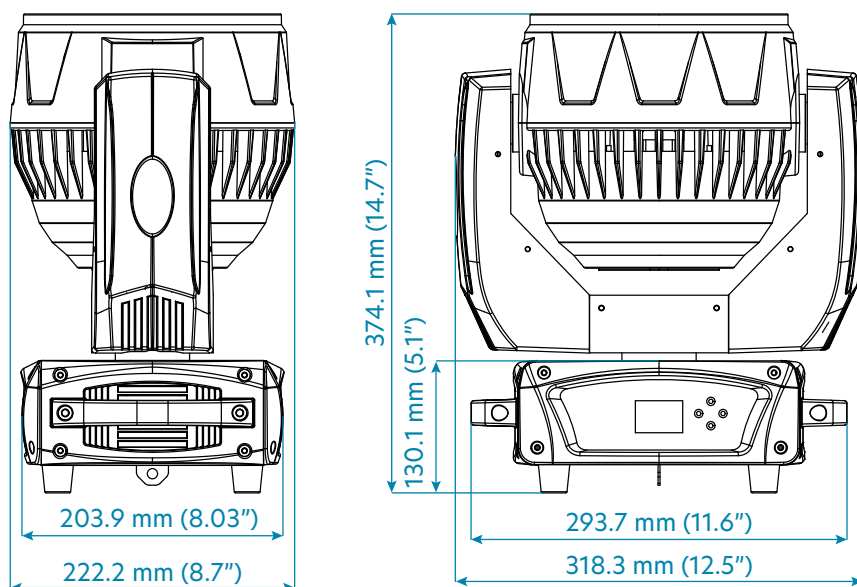
The quad-color mixing system and the accurate dimmer, make the new THESIS moving head a valid tool to enhance the creativity of the most demanding light designers.

Particular attention is paid to precision and noise of mechanical movements. PAN and TILT are equipped with high quality motors and 16-bit control. The ZOOM is also managed by high quality motors, to minimize skating effect and vibrations. The electronic dimmer is accurate and soft. Fan speed is calibrated in a way that keeps internal temperature from rising and fixture from overheating, ensuring the right balance between noise, safety and durability of the LED chips.

## 4.1 Features

- LED light: 19x15W RGBW with around 50.000 hrs lifespan
- Beam angle:  $10^{\circ} \pm 60^{\circ}$
- Electronic smooth Dimmer with 16-bit control
- Strobe: 1-20Hz with instant light ON and OFF work mode
- RGBW smooth color mixing
- Ring Control, outstanding color Macro effect
- ZOOM function  $10^{\circ} \pm 60^{\circ}$  / 1.7s, with high quality motors at the same time to provide accurate zooming, stable beam, without skating
- PAN and TILT with 8-16 bit scanning, photoelectric reset and automatic error correction function
- DMX512 / Master-Slave / Auto / Sound control Modes
- Three DMX Channel Modes: 14CH, 26CH, 30CH
- High efficiency cooling system with calibrated fans. No risk of LED lamp damage
- LCD screen with easy user-interface

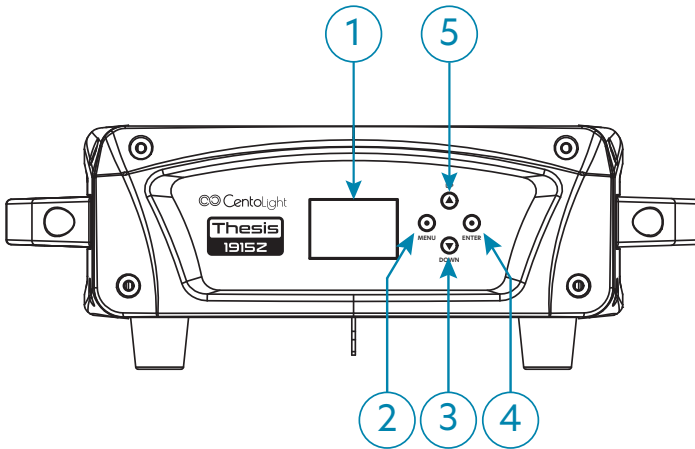
### 1) THESIS 1915Z Sizes





## 5 - PRODUCT DESCRIPTION

### 5.1 Front Panel



#### 1) LCD Display

It shows the operating mode and other system information.

#### 2) MENU Button

Press to open main menu and select all programming functions. Press to go back and exit sub-menus.

#### 3) DOWN Button

It scrolls individual functions down when in selection menus/sub-menus for system settings (DMX address, Channel Mode, Dimmer Curve, etc.), and decreases parameter values/settings.

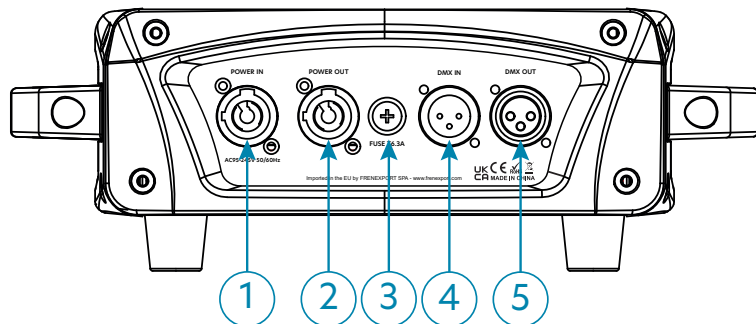
#### 4) ENTER Button

Press to access menus and confirm parameter value changes.

#### 5) UP Button

It scrolls individual functions up when in selection menus/sub-menus for system settings (DMX address, Channel Mode, Dimmer Curve, etc.), and increases parameter values/settings.

## 5.2. Rear Panel



### 1) Power IN Socket

Plug the power-cord into an AC socket properly configured for your particular model.

### 2) Power OUT Socket

Power output socket for power supply to additional Centolight fixtures. Ensure that total power consumption of all connected devices does not exceed the value specified on the device (max. of 4 fixtures at 230V, and 2 fixtures at 130V).

### 3) Fuse Holder

Fuse holder with T6.3A fuse (5x20mm). In case of fuse burn, to prevent the risk of fire and damaging the unit, please use only a spare of the recommended fuse type as described. Before replacing the fuse, make sure the unit turned off and disconnected from the AC outlet.

### 4) DMX Input

Male 3-pin XLR socket for connection to a DMX control device.

### 5) DMX Output


Female 3-pin XLR socket for sending the DMX control signal.

## 5.3. About Power Connection


- Always make sure that the voltage of the outlet you are connecting the product to is within the range stated in paragraph "8 - Specifications" on page 28 or rear panel of the product (AC95V-245V 50/60Hz).
- Make sure the power cord is not crimped or damaged. Never connect this product to a dimmer pack or rheostat.

- Never disconnect the product from power cord by pulling or tugging on the cord.
- To avoid electric shock, all fixtures must be connected to circuits with a suitable ground and circuit breaker.
- Wire correspondence is as follows:

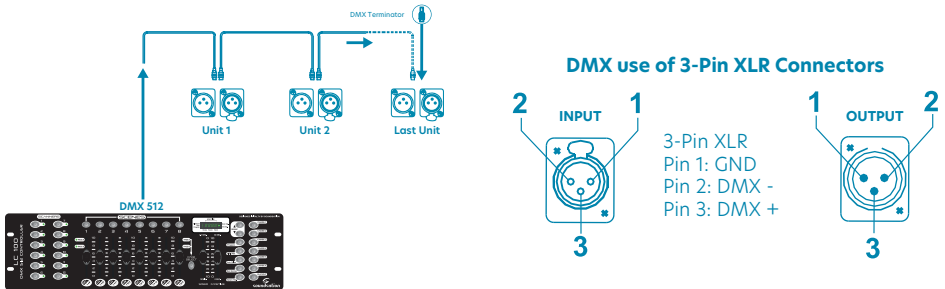
Cable (EU)	Pin	International
Brown	Live	L
Blue	Neutral	N
Yellow/Green	Earth	⊕

 **Earth must be connected! Always pay attention to safety! Before taking into operation for the first time, the installation has to be approved by an expert.**


## 5.4. About Dmx Connection

 **When use a DMX controller, please make sure that there is no interference sources (e.g. intercom, high frequency radio waves and radiation source).**

DMX machines are designed to receive data through a serial Daisy Chain. A Daisy Chain connection is where the DATA OUT of one fixture connects to the DATA IN of the next fixture. The order in which the machines are connected is not important and has no effect on how a controller communicates to each of them. Use an order that provides for the easiest and most direct cabling.



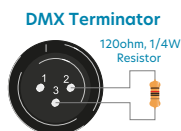
Connect machines using shielded 2-conductor twisted pair cable with 3-pin XLR male to female connectors. The shield connection is pin 1, while pin 2 is Data Negative (S-), and pin 3 is Data positive (S+).

 **CAUTION: Wires must not come into contact with each other; otherwise the fixtures will not work at all, or will not work properly.**

Please refer to the following diagram to address your DMX512 channels for the first 4 units:

Channel Mode	Unit 1 Address	Unit 2 Address	Unit 3 Address	Unit 4 Address
14 Channels	1	15	29	43
26 Channels	1	27	53	79
30 Channels	1	31	61	91

## 5.5. DMX Terminator



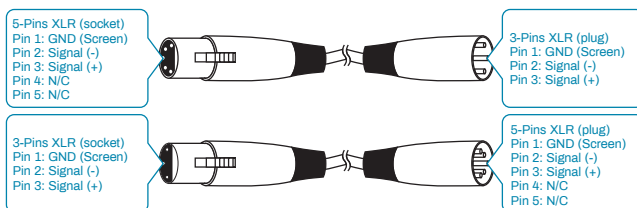
DMX is a resilient communication protocol, however errors still occasionally occur. In order to prevent electrical noise from disturbing and corrupting the DMX control signals, a good habit is to connect DMX output of last fixture in the chain to a DMX terminator, especially over long signal cable runs.

The DMX terminator is simply an XLR connector with a  $120\Omega$  (ohm), 1/4 Watt resistor connected across Signal (-) and Signal (+), respectively, pins 2 and 3, which is then plugged into the output socket on last projector in the chain. The connections are illustrated below.

**⚠ Complimentary signal cable can transmits signals to 20 unit fixtures at most. Signal amplifier is a must to connect more fixtures.**

## 5.6. 3-Pin vs 5-Pin DMX cables

DMX connection protocols used by controllers and fixtures manufacturers are not standardized around the world. However, two are the most common standards: 5-Pin XLR and 3-Pin XLR system. If you wish to connect this fixture to a 5-Pin XLR input fixture, you need to use an adapter-cable or make it by yourself. Below you can see the wiring correspondence between 3-Pin and 5-Pin plug and socket standards



## 6 - MENU OPERATION

Thanks to the LCD display ,(1) on paragraph "5.1. Front Panel" on page 9, it's very easy to set up and change functions and operating mode.

When Thesis 1915Z is switched on and it is not connected to a DMX controller, it goes automatically in Stand alone mode; otherwise it goes in DMX mode and the display will show the current DMX channel.

To access the main menu and select any of the given functions press the "MENU" button (2), then use "UP" (5) and "DOWN" (3) buttons to navigate the menu, change values, and change mode. Once the required function has been selected, press the "ENTER" button (4) to enter the sub-menus and to confirm.

To exit main menu, or go back without making any changes, use the "MENU" button or wait for about 20 seconds.

The main functions are shown in the chart below:

DISPLAY/FUNCTION	VALUE/OPTION
DMX Address	1 ÷ 512
Channel Mode	14 Channel
	26 Channel
	30 Channel
DMX State	M/S (master/slave)
	Hold
	Blackout
Show Mode	Show 1
	Show 2
	Show 3
	Show 4
Slave Mode	Slave 1
	Slave 2
Sound Trigger	On
	Off
Sound Sensitivity	0 ÷ 100
Pan Inverse	No
	Yes
Tilt Inverse	No
	Yes
P/T Feedback	No
	Yes
Pan Offset	0 ÷ 255

Tilt Offset	0 ÷ 255
Zoom Offset	0 ÷ 255
WhiteBalance Red	125 ÷ 255
WhiteBalance Green	125 ÷ 255
WhiteBalance Blue	125 ÷ 255
Dimmer Curve	Linear
	Square
	Inverse SQ
	S-Curve
Dimmer Speed	Fast
	Smooth
Display Inverse	No
	Yes
Display Contrast	0 ÷ 30
Backlight AutoOff	No
	Yes
Language	English
	Chinese
Auto Test	Pan, Tilt, Zoom, Color test
Fixture Usage Time	Fixture working hours
Firmware Version	Current firmware version
Factory Setting	No
	Yes
Factory Passcode	0 ÷ 999
Reset	No
	Yes

## 1) Dmx Address

DMX Address setting allows you to set the DMX channel of the machine between 1 and 512. Press "ENTER" and use the "UP" / "DOWN" buttons to increase/decrease channel, then press "ENTER" to confirm. Press the "MENU" button to exit the main menu. Now the display will show the chosen DMX channel.

## 2) Channel Mode

By selecting this option, it is possible to select one of the available channel modes. Press the "ENTER" button to access the Channel mode sub-menu and use the "UP" / "DOWN" buttons to choose between the following modes:

- **14 Channel**
- **26 Channel**
- **30 Channel**

Press "ENTER" to confirm then press the "MENU" button to exit the main menu. The

display will show the selected channel on the bottom left of the display.

### 3) DMX State

This function allows you to decide how the fixture should respond when it is controlled via DMX and the DMX signal is interrupted. Press the "ENTER" button to access the DMX State sub-menu and use the "UP" / "DOWN" buttons to choose between:

- **M/S (master/slave):** fixture will use Show Modes.
- **Hold:** fixture continues to operate the last chosen function.
- **Blackout:** lights of fixture will switch off.

Press "ENTER" to confirm the choice, then press "MENU" to exit main menu.

### 4) Show Mode

When the DMX State is set to "M/S", as described in the previous point, the fixture starts running a standalone light show when not connected to a DMX controller. Press "ENTER" to access the Show Mode sub-menu and select 1 of the 4 different show modes, then press "ENTER" again to confirm. Press "MENU" to exit main menu.

### 5) Slave Mode

When this mode is selected, the fixture behaves as a Slave unit and runs the same program synchronously with the Master unit when connected to other fixtures. Press "ENTER" to access the Slave Mode sub-menu and select "Slave 1" or "Slave 2", then press "ENTER" again to confirm. Press "MENU" to exit main menu.

### 6) Sound Trigger

When this mode is selected the fixture changes its demo programs following the sound detection determined by sound sensitivity. Press "ENTER" to access the Sound Trigger sub-menu and select "On" to activate the mode, then press "ENTER" to confirm. The main functions now change based on detected sound. Press "MENU" to exit main menu.

### 7) Sound Sensitivity

Adjusts the sensitivity of the sound input. Press "ENTER" to access the Sound Sensitivity sub-menu. Use the "UP" / "DOWN" buttons to adjust value from 0 to 100 then press "ENTER" to confirm. Press "MENU" to exit main menu.

### 8) Pan Inverse

Sets the Pan control to run in the opposite direction. Press "ENTER" to access the Pan Inverse sub-menu and select "Yes" to switch it, then press "ENTER" again to confirm. Press "MENU" to exit main menu.

### 9) Tilt Inverse

Setts the Tilt control to run in the opposite direction. Press "ENTER" to access the Tilt Inverse sub-menu and select "Yes" to switch it, then press "ENTER" again to confirm. Press "MENU" to exit main menu.

### 10) P/T Feedback

If this function is switched on, the Pan and Tilt positioning system can detect a positioning error and then adjust it. Press "ENTER" to access the P/T Feedback sub-menu and select "Yes" to switch it on, then press "ENTER" again to confirm. Press "MENU" to exit main menu.

### 11) Pan Offset

Adjusts the offset of the Pan control. Press "ENTER" to access the Pan Offset sub-menu. Use the "UP" / "DOWN" buttons to adjust value from 0 to 255 then press "ENTER" to confirm. Press "MENU" to exit main menu.

### 12) Tilt Offset

Adjusts the offset of the Tilt control. Press "ENTER" to access the Tilt Offset sub-menu. Use the "UP" / "DOWN" buttons to adjust value from 0 to 255 then press "ENTER" to confirm. Press "MENU" to exit main menu.

### 13) Zoom Offset

Adjusts the offset of the Zoom control. Press "ENTER" to access the Zoom Offset sub-menu. Use the "UP" / "DOWN" buttons to adjust value from 0 to 255 then press "ENTER" to confirm. Press "MENU" to exit main menu.

### 14) WhiteBalance Red

Adjusts the White balance of the Red color. Press "ENTER" to access the WhiteBalance Red sub-menu. Use the "UP" / "DOWN" buttons to adjust value from 125 to 255 then press "ENTER" to confirm. Press "MENU" to exit main menu.

### 15) WhiteBalance Green

Adjusts the White balance of the Green color. Press "ENTER" to access the WhiteBalance Green sub-menu. Use the "UP" / "DOWN" buttons to adjust value from 125 to 255 then press "ENTER" to confirm. Press "MENU" to exit main menu.

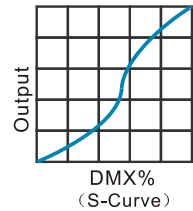
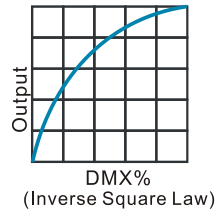
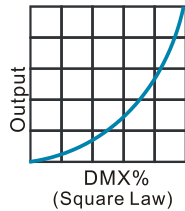
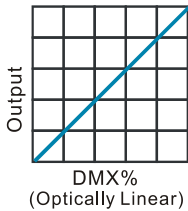
### 16) WhiteBalance Blue

Adjusts the White balance of the Blue color. Press "ENTER" to access the WhiteBalance Blue sub-menu. Use the "UP" / "DOWN" buttons to adjust value from 125 to 255 then press "ENTER" to confirm. Press "MENU" to exit main menu.



## 17) Dimmer Curve

Press the "ENTER" button to access the Dimmer curve sub-menu and use the "UP" / "DOWN" buttons to choose between the following modes:



- **Linear:** The increase in light intensity appears to be linear as DMX value increases.
- **Square Law:** Light intensity is smoother at low values and more irregular at high values.
- **Inverse Square Law:** Light intensity is more irregular at low values and smoother at high values.
- **S-Curve:** Light intensity is smoother at low and high values and more irregular at medium values.

## 18) Dimmer Speed

Adjusts the speed of the dimmer. Press "ENTER" to access the Dimmer Speed sub-menu. Use the "UP" / "DOWN" buttons to choose between "FAST" and "SMOOTH" then press "ENTER" to confirm. Press "MENU" to exit main menu.

## 19) Display Inverse

Allows the LCD display to be flipped when the fixture is installed upside down. Press "ENTER" to access the Display Inverse sub-menu. Use the "UP" / "DOWN" buttons and choose "YES" to invert the display, then press "ENTER" to confirm. Please note that when the display is inverted, the buttons are inverted too (e.g. the "ENTER" button will function as "MENU" button etc.).

## 20) Display Contrast

Adjusts the contrast of the display. Press "ENTER" to access the Display Contrast sub-menu. Use the "UP" / "DOWN" buttons to adjust value from 0 to 30 then press "ENTER" to confirm. Press "MENU" to exit main menu.

## 21) Backlight AutoOff

Allows the LCD display to automatically switch off when no button is pressed. Press "ENTER" to access the Backlight AutoOff sub-menu. Use the "UP" / "DOWN" buttons

to choose between "YES"(display turns off after one minute) and "NO"(display stays always on) then press "ENTER" to confirm. Press "MENU" to exit main menu.

## 22) Backlight Brightness

Adjusts brightness of display. Press "ENTER" to access the Backlight Brightness sub-menu. Use the "UP" / "DOWN" buttons to adjust value from 1 to 10 then press "ENTER" to confirm. Press "MENU" to exit main menu.

## 23) Language

Selects the display language. Press "ENTER" to access the Language sub-menu. Use the "UP" / "DOWN" buttons to choose between "English" and "Chinese" then press "ENTER" to confirm. Press "MENU" to exit main menu.

## 24) Auto Test

When this function is activated, the unit will run built-in programs to automatically test pan, tilt, zoom and color functions. Press "ENTER" and Auto Test starts automatically. To stop it at any time during the operation press the "MENU" button, otherwise let it run and wait for it to finish. When the fixture stops press and hold the "ENTER" button to go back to main menu.

## 25) Fixture Time

Press "ENTER" and the display will show the working hours of the unit. Press "MENU" to go back and exit main menu.

## 26) Firmware Version

Press "ENTER" and the display will show the current firmware version. Press "MENU" to go back and exit main menu.

## 27) Factory Setting

This function must be used only when you want to reset all parameters to the default values. Press "ENTER" to access the Factory Setting sub-menu. Select "YES" to reset all parameters to factory and press "ENTER" to confirm. Press "MENU" to exit main menu.

Switch off the fixture and then turn it back on. All parameters are now reset to factory default value.

## 28) Factory Passcode

Press "ENTER" to access the Factory Passcode sub-menu. Use the "UP" / "DOWN" buttons to adjust value from 0 to 999 then press "ENTER" to confirm. Press "MENU" to exit main menu. This function is reserved.

## 29) Reset

Resets Pan, Tilt and Zoom motors. Press "ENTER" to access the Reset sub-menu. Select "YES" and press "ENTER" to confirm. Reset will start automatically.

# 7 - DMX CHANNEL MODES

There are three modes to get DMX 512 signal for this fixture: 14 CH, 26 CH and 30 CH. Please find the details on the charts below:

## 7.1 14CH Mode

Channel	Function	Value	Effect
1	Pan	000 ÷ 255	Pan Rotation
2	Pan Fine	000 ÷ 255	Fine Pan Adjustment
3	Tilt	000 ÷ 255	Tilt Rotation
4	Tilt Fine	000 ÷ 255	Fine Tilt Adjustment
5	P/T speed	000 ÷ 255	Motor Speed, from fast to slow
6	Special Functions	000 ÷ 199	No Function
		200 ÷ 210	Reset
		211 ÷ 255	No Function
7	Dimmer	000 ÷ 255	Dimming Function, 0% - 100%
8	Shutter	000 ÷ 019	Blackout
		020 ÷ 024	Open
		025 ÷ 064	Strobe 1: from fast to slow
		065 ÷ 069	Open
		070 ÷ 084	Strobe 2: opening pulse, from fast to slow
		085 ÷ 089	Open
		090 ÷ 104	Strobe 3: closing pulse, from fast to slow
		105 ÷ 109	Open
		110 ÷ 124	Strobe 4: random strobe, from fast to slow
		125 ÷ 129	Open
		130 ÷ 144	Strobe 5: random opening pulse, from fast to slow
		145 ÷ 149	Open
		150 ÷ 164	Strobe 6: random closing pulse, from fast to slow
		165 ÷ 169	Open
170 ÷ 184	Strobe 7: burst pulse, from fast to slow		

		185 ÷ 189	Open
		190 ÷ 204	Strobe 8: random burst pulse, from fast to slow
		205 ÷ 209	Open
		210 ÷ 224	Strobe 9: sine wave, from fast to slow
		225 ÷ 229	Open
		230 ÷ 244	Strobe 10: burst, from fast to slow
		245 ÷ 255	Open
9	Red	000 ÷ 255	0% - 100%
10	Green	000 ÷ 255	0% - 100%
11	Blue	000 ÷ 255	0% - 100%
12	White	000 ÷ 255	0% - 100%
		000 ÷ 009	Open
		010 ÷ 017	Color 1
		018 ÷ 024	Color 2
		025 ÷ 032	Color 3
		033 ÷ 039	Color 4
		040 ÷ 047	Color 5
		048 ÷ 054	Color 6
		055 ÷ 061	Color 7
		062 ÷ 069	Color 8
		070 ÷ 076	Color 9
		077 ÷ 084	Color 10
		085 ÷ 091	Color 11
		092 ÷ 099	Color 12
		100 ÷ 106	Color 13
		107 ÷ 113	Color 14
		114 ÷ 121	Color 15
		122 ÷ 128	Color 16
		129 ÷ 136	Color 17
		137 ÷ 143	Color 18
		144 ÷ 151	Color 19
		152 ÷ 158	Color 20
		159 ÷ 165	Color 21
		166 ÷ 173	Color 22
		174 ÷ 180	Color 23
		181 ÷ 188	Color 24
		189 ÷ 195	Color 25
		196 ÷ 203	Color 26
		204 ÷ 210	Color 27
13	Color Preset		

		211 ÷ 217	Color 28
		218 ÷ 225	Color 29
		226 ÷ 232	Color 30
		233 ÷ 240	Color 31
		241 ÷ 247	Color 32
		248 ÷ 255	Color 33
14	Zoom	000 ÷ 255	From wide to narrow

## 7.2 26CH Mode

Channel	Function	Value	Effect
1	Pan	000 ÷ 255	Pan Rotation
2	Pan Fine	000 ÷ 255	Fine Pan Adjustment
3	Tilt	000 ÷ 255	Tilt Rotation
4	Tilt Fine	000 ÷ 255	Fine Tilt Adjustment
5	P/T speed	000 ÷ 255	Motor Speed, from fast to slow
6	Zoom	000 ÷ 255	Zoom, from wide to narrow
7	Special Functions	000 ÷ 199	No Function
		200 ÷ 210	Reset
		211 ÷ 255	No Function
8	Dimmer	000 ÷ 255	Dimming Function, 0% - 100%
9	Shutter	000 ÷ 019	Blackout
		020 ÷ 024	Open
		025 ÷ 064	Strobe 1: from fast to slow
		065 ÷ 069	Open
		070 ÷ 084	Strobe 2: opening pulse, from fast to slow
		085 ÷ 089	Open
		090 ÷ 104	Strobe 3: closing pulse, from fast to slow
		105 ÷ 109	Open
		110 ÷ 124	Strobe 4: random strobe, from fast to slow
		125 ÷ 129	Open
		130 ÷ 144	Strobe 5: random opening pulse, from fast to slow
		145 ÷ 149	Open
		150 ÷ 164	Strobe 6: random closing pulse, from fast to slow
		165 ÷ 169	Open
170 ÷ 184	Strobe 7: burst pulse, from fast to slow		
185 ÷ 189	Open		

		190 ÷ 204	Strobe 8: random burst pulse, from fast to slow
		205 ÷ 209	Open
		210 ÷ 224	Strobe 9: sine wave, from fast to slow
		225 ÷ 229	Open
		230 ÷ 244	Strobe 10: burst, from fast to slow
		245 ÷ 255	Open
10	Ring 1 Red	000 ÷ 255	0% - 100%
11	Ring 1 Green	000 ÷ 255	0% - 100%
12	Ring 1 Blue	000 ÷ 255	0% - 100%
13	Ring 1 White	000 ÷ 255	0% - 100%
		000 ÷ 009	Open
		010 ÷ 017	Color 1
		018 ÷ 024	Color 2
		025 ÷ 032	Color 3
		033 ÷ 039	Color 4
		040 ÷ 047	Color 5
		048 ÷ 054	Color 6
		055 ÷ 061	Color 7
		062 ÷ 069	Color 8
		070 ÷ 076	Color 9
		077 ÷ 084	Color 10
		085 ÷ 091	Color 11
		092 ÷ 099	Color 12
		100 ÷ 106	Color 13
14	Ring 1 Color Preset	107 ÷ 113	Color 14
		114 ÷ 121	Color 15
		122 ÷ 128	Color 16
		129 ÷ 136	Color 17
		137 ÷ 143	Color 18
		144 ÷ 151	Color 19
		152 ÷ 158	Color 20
		159 ÷ 165	Color 21
		166 ÷ 173	Color 22
		174 ÷ 180	Color 23
		181 ÷ 188	Color 24
		189 ÷ 195	Color 25
		196 ÷ 203	Color 26
		204 ÷ 210	Color 27
		211 ÷ 217	Color 28

		218 ÷ 225	Color 29
		226 ÷ 232	Color 30
		233 ÷ 240	Color 31
		241 ÷ 247	Color 32
		248 ÷ 255	Color 33
15	Ring 2 Red	000 ÷ 255	0% - 100%
16	Ring 2 Green	000 ÷ 255	0% - 100%
17	Ring 2 Blue	000 ÷ 255	0% - 100%
18	Ring 2 White	000 ÷ 255	0% - 100%
19	Ring 2 Color Preset	000 ÷ 255	Same as channel 14: Ring 1 Color Preset
20	Ring 3 Red	000 ÷ 255	0% - 100%
21	Ring 3 Green	000 ÷ 255	0% - 100%
22	Ring 3 Blue	000 ÷ 255	0% - 100%
23	Ring 3 White	000 ÷ 255	0% - 100%
24	Ring 3 Color Preset	000 ÷ 255	Same as channel 14: Ring 1 Color Preset
25	Ring Color Macro	000 ÷ 007	Blackout
		008 ÷ 022	Macro 1
		023 ÷ 037	Macro 2
		038 ÷ 052	Macro 3
		053 ÷ 067	Macro 4
		068 ÷ 082	Macro 5
		083 ÷ 097	Macro 6
		098 ÷ 112	Macro 7
		113 ÷ 127	Macro 8
		128 ÷ 142	Macro 9
		143 ÷ 157	Macro 10
		158 ÷ 172	Macro 11
		173 ÷ 187	Macro 12
		188 ÷ 202	Macro 13
		203 ÷ 217	Macro 14
218 ÷ 232	Macro 15		
233 ÷ 247	Macro 16		
248 ÷ 255	Macro 17		
26	Color Macro Speed	000 ÷ 255	From slow to fast

## 7.3.30CH Mode

Channel	Function	Value	Effect
1	Pan	000 ÷ 255	Pan Rotation
2	Pan Fine	000 ÷ 255	Fine Pan Adjustment
3	Tilt	000 ÷ 255	Tilt Rotation
4	Tilt Fine	000 ÷ 255	Fine Tilt Adjustment
5	P/T speed	000 ÷ 255	Motor Speed, from fast to slow
6	Zoom	000 ÷ 255	Zoom, from wide to narrow
7	Special Functions	000 ÷ 199	No Function
		200 ÷ 210	Reset
		211 ÷ 255	No Function
8	Dimmer	000 ÷ 255	Dimming Function, 0% - 100%
9	Shutter	000 ÷ 019	Blackout
		020 ÷ 024	Open
		025 ÷ 064	Strobe 1: from fast to slow
		065 ÷ 069	Open
		070 ÷ 084	Strobe 2: opening pulse, from fast to slow
		085 ÷ 089	Open
		090 ÷ 104	Strobe 3: closing pulse, from fast to slow
		105 ÷ 109	Open
		110 ÷ 124	Strobe 4: random strobe, from fast to slow
		125 ÷ 129	Open
		130 ÷ 144	Strobe 5: random opening pulse, from fast to slow
		145 ÷ 149	Open
		150 ÷ 164	Strobe 6: random closing pulse, from fast to slow
		165 ÷ 169	Open
		170 ÷ 184	Strobe 7: burst pulse, from fast to slow
		185 ÷ 189	Open
		190 ÷ 204	Strobe 8: random burst pulse, from fast to slow
		205 ÷ 209	Open
		210 ÷ 224	Strobe 9: sine wave, from fast to slow
		225 ÷ 229	Open
230 ÷ 244	Strobe 10: burst, from fast to slow		



		245 ÷ 255	Open
10	Ring 1 Red	000 ÷ 255	0% - 100%
11	Ring 1 Green	000 ÷ 255	0% - 100%
12	Ring 1 Blue	000 ÷ 255	0% - 100%
13	Ring 1 White	000 ÷ 255	0% - 100%
14	Ring 1 Color Preset	000 ÷ 009	Open
		010 ÷ 017	Color 1
		018 ÷ 024	Color 2
		025 ÷ 032	Color3
		033 ÷ 039	Color4
		040 ÷ 047	Color 5
		048 ÷ 054	Color6
		055 ÷ 061	Color 7
		062 ÷ 069	Color 8
		070 ÷ 076	Color 9
		077 ÷ 084	Color 10
		085 ÷ 091	Color 11
		092 ÷ 099	Color 12
		100 ÷ 106	Color 13
		107 ÷ 113	Color 14
		114 ÷ 121	Color 15
		122 ÷ 128	Color 16
		129 ÷ 136	Color 17
		137 ÷ 143	Color 18
		144 ÷ 151	Color 19
		152 ÷ 158	Color 20
		159 ÷ 165	Color 21
		166 ÷ 173	Color 22
		174 ÷ 180	Color 23
		181 ÷ 188	Color 24
		189 ÷ 195	Color 25
		196 ÷ 203	Color 26
		204 ÷ 210	Color 27
		211 ÷ 217	Color 28
		218 ÷ 225	Color 29
		226 ÷ 232	Color 30
		233 ÷ 240	Color 31
		241 ÷ 247	Color 32
248 ÷ 255	Color 33		
15	Ring 2 Red	000 ÷ 255	0% - 100%
16	Ring 2 Green	000 ÷ 255	0% - 100%

17	Ring 2 Blue	000 ÷ 255	0% - 100%
18	Ring 2 White	000 ÷ 255	0% - 100%
19	Ring 2 Color Preset	000 ÷ 255	Same as channel 14: Ring 1 Color Preset
20	Ring 3 Red	000 ÷ 255	0% - 100%
21	Ring 3 Green	000 ÷ 255	0% - 100%
22	Ring 3 Blue	000 ÷ 255	0% - 100%
23	Ring 3 White	000 ÷ 255	0% - 100%
24	Ring 3 Color Preset	000 ÷ 255	Same as channel 14: Ring 1 Color Preset
25	Ring Color Macro	000 ÷ 007	Blackout
		008 ÷ 022	Macro 1
		023 ÷ 037	Macro 2
		038 ÷ 052	Macro 3
		053 ÷ 067	Macro 4
		068 ÷ 082	Macro 5
		083 ÷ 097	Macro 6
		098 ÷ 112	Macro 7
		113 ÷ 127	Macro 8
		128 ÷ 142	Macro 9
		143 ÷ 157	Macro 10
		158 ÷ 172	Macro 11
		173 ÷ 187	Macro 12
		188 ÷ 202	Macro 13
		203 ÷ 217	Macro 14
		218 ÷ 232	Macro 15
		233 ÷ 247	Macro 16
248 ÷ 255	Macro 17		
26	Color Macro Speed	000 ÷ 255	From slow to fast
27	Ring Color Macro 2	000 ÷ 009	No Function
		010 ÷ 031	Macro 1
		032 ÷ 063	Macro 2
		064 ÷ 095	Macro 3
		096 ÷ 127	Macro 4
		128 ÷ 159	Macro 5
		160 ÷ 191	Macro 6
		192 ÷ 223	Macro 7
		224 ÷ 255	Macro 8
28	Ring Color Macro 3	000 ÷ 015	No Function
		016 ÷ 039	Macro 1
		040 ÷ 063	Macro 2

		064 ÷ 087	Macro 3
		088 ÷ 111	Macro 4
		112 ÷ 135	Macro 5
		136 ÷ 159	Macro 6
		160 ÷ 183	Macro 7
		184 ÷ 207	Macro 8
		208 ÷ 231	Macro 9
		232 ÷ 255	Macro 10
29	Ring Color Macro 4	000 ÷ 015	No function
		016 ÷ 027	Macro 1
		028 ÷ 039	Macro 2
		040 ÷ 051	Macro 3
		052 ÷ 063	Macro 4
		064 ÷ 075	Macro 5
		076 ÷ 087	Macro 6
		088 ÷ 099	Macro 7
		100 ÷ 111	Macro 8
		112 ÷ 123	Macro 9
		124 ÷ 135	Macro 10
		136 ÷ 147	Macro 11
		148 ÷ 159	Macro 12
		160 ÷ 171	Macro 13
		172 ÷ 183	Macro 14
		184 ÷ 195	Macro 15
		196 ÷ 207	Macro 16
		208 ÷ 219	Macro 17
		220 ÷ 231	Macro 18
		232 ÷ 243	Macro 19
244 ÷ 255	Macro 20		
30	Ring Color Macro 4	000 ÷ 127	Jump: from slow to fast
		128 ÷ 255	Fade: from slow to fast

## 8 - SPECIFICATIONS

LED light	19 x 15W RGBW
LED Lifespan	50.000 Hours
Voltage	95V-245V 50-60Hz
Power consumption	285W
Control mode	DMX512, Master/Slave, Auto, Sound
Channel Mode	14CH, 26CH, 30CH,
Beam angle	10° ÷ 60°
Dimmer	0-100% (16bit )
Zoom	10° ÷ 60° in 1.7s
Strobe	1-20Hz
Display	Color LCD, English and Chinese switchable languages, Reversible
Internal Running Temp.	0 ÷ 40°C
Dimensions (WxDxH)	318.3 x 222.2 x 374.1 mm (12.53 x 8.75 x 14.73 in)
Weight	9.0 kg (19.84 lbs)
Package Dimensions (WxDxH)	355 x 280 x 475 mm (13.98 x 11.02 x 18.70 in)
Package Weight	12 Kg (26.45 lbs)

*Note: Our products are subject to a process of continual further development. Therefore modifications to the technical features remain subject to change without further notice.*

## 9 - WARRANTY AND SERVICE

All CENTOLIGHT products feature a limited two-year warranty. This two-year warranty starts from the date of purchase, as shown on your purchase receipt. The following cases/components are not covered by this warranty:

- Any accessories supplied with the product
- Improper use
- Fault due to wear and tear
- Any modification of the product effected by the user or a third party

CENTOLIGHT shall satisfy the warranty obligations by remedying any material or manufacturing faults free of charge at CENTOLIGHT's discretion either by repairing or exchanging individual parts or the entire appliance. Any defective parts removed from a product during the course of a warranty claim shall become the property of CENTOLIGHT.

While under warranty, defective products may be returned to your local CENTOLIGHT dealer together with the original proof of purchase. To avoid any damages in transit, please use the original packaging if available. Alternatively, you can send the product to CENTOLIGHT SERVICE CENTER - Via Enzo Ferrari, 10 - 62017 Porto Recanati - Italy. In order to send a product to service center, you need an RMA number. Shipping charges have to be covered by the owner of the product.

For further information please visit [www.centolight.com](http://www.centolight.com)

## 10 - WARNING

**PLEASE READ CAREFULLY** - EU and EEA (Norway, Iceland and Liechtenstein) only



This symbol indicates that this product is not to be disposed of with your household waste, according to the WEEE Directive (2012/19/UE) and your national law.

This product should be handed over to a designated collection point, e.g., on an authorized one-for-one basis when you buy a new similar product or to an authorized collection site for recycling waste electrical and electronic equipment (WEEE).

Improper handling of this type of waste could have a possible negative impact on the environment and human health due to potentially hazardous substances that are generally associated with EEE. At the same time, your cooperation in the correct disposal of this product will contribute to the effective usage of natural resources.

For more information about where you can drop off your waste equipment for recycling, please contact your local city office, waste authority, approved WEEE scheme or your household waste disposal service.

## SOMMARIO

<b>1 -</b>	<b>Prima Di Iniziare</b>	<b>32</b>
1.1.	Cosa è Incluso	32
1.2.	Istruzioni per il Disimballaggio	32
1.3.	Accessori	32
1.4.	Limiti di Responsabilità	33
<b>2 -</b>	<b>Istruzioni di Sicurezza</b>	<b>33</b>
<b>3 -</b>	<b>Montaggio e Appendamento</b>	<b>34</b>
3.1.	Installazione Sospesa	34
3.2.	Acqua / umidità	34
3.3.	Calore	35
3.4.	Manutenzione	35
<b>4 -</b>	<b>Introduzione</b>	<b>35</b>
4.1.	Caratteristiche	36
<b>5 -</b>	<b>Descrizione del Prodotto</b>	<b>37</b>
5.1.	Pannello Frontale	37
5.2.	Pannello Posteriore	38
5.3.	Connessioni di Rete	38
5.4.	Connessioni DMX	39
5.5.	Terminatore DMX	40
5.6.	Cavi DMX 3-Poli/5-Poli	40
<b>6 -</b>	<b>Descrizione delle Funzioni</b>	<b>41</b>
<b>7 -</b>	<b>Modalità DMX</b>	<b>47</b>
<b>8 -</b>	<b>Specifiche Tecniche</b>	<b>56</b>
<b>9 -</b>	<b>Garanzia e Assistenza</b>	<b>57</b>
<b>10 -</b>	<b>Avviso UE e SEE (Norvegia, Islanda, Liechtenstein)</b>	<b>58</b>

## 1 - PRIMA DI INIZIARE

Grazie per aver acquistato THESIS 1915Z. Prima di iniziare, assicuratevi di leggere attentamente questo manuale! E' stato creato per fornire sia una panoramica dei controlli, sia informazioni su come usarli.

### 1.1. Cosa è Incluso

La confezione include:

- 1 x Testa mobile
- 1 x Cavo alimentazione Powercon - Europlug
- 1 x Cavo DMX XLR 3pin Maschio - XLR 3-pin Femmina
- 2 x Staffe Omega con aggancio Fast-lock
- Questo Manuale d'uso

**⚠ ATTENZIONE:** La confezione non è un giocattolo! Tenere fuori dalla portata dei bambini! Conservare in un luogo sicuro il materiale di imballaggio originale.

### 1.2. Istruzioni per il Disimballaggio

Tirare fuori dall'imballo il prodotto con attenzione e controllare il cartone per assicurarsi che tutte le parti siano nella confezione e siano in buone condizioni.

Se la confezione o il contenuto (il prodotto e gli accessori inclusi) risultano danneggiati dalla spedizione o mostrano segni di maltrattamento, avvisare immediatamente il vettore o il rivenditore. Inoltre, conservare la scatola e il contenuto per una eventuale ispezione.

Se l'apparecchiatura dovesse essere restituita al produttore, è importante che venga riportata o spedita nell'imballo originale del produttore. Si prega di non intraprendere alcuna azione senza prima contattare il proprio rivenditore o aver contattato il nostro servizio di assistenza post-vendita (visitare [www.centolight.com](http://www.centolight.com) per i dettagli).

### 1.3. Accessori

CENTOLIGHT fornisce un'ampia gamma di accessori di qualità che è possibile utilizzare con le apparecchiature della serie THESIS, come cavi, splitter, controller DMX, materiali di consumo e un'ampia gamma di altri fari.

Tutti i prodotti nel nostro catalogo sono stati testati a lungo con questo dispositivo, quindi ti consigliamo di utilizzare accessori e ricambi originali CENTOLIGHT.

Chiedete al vostro rivenditore CENTOLIGHT o visitate il nostro sito web [www.centolight.com](http://www.centolight.com) per eventuali accessori di cui potreste aver bisogno per garantire le migliori prestazioni al vostro prodotto.



## 14. Limiti di Responsabilità

Le informazioni e le specifiche contenute in questo manuale utente sono soggette a modifiche senza preavviso. CENTOLIGHT non si assume alcuna responsabilità per eventuali errori od omissioni e si riserva il diritto di rivedere o creare questo manuale in qualsiasi momento.

**Copyright© 2023 CENTOLIGHT. Tutti i diritti riservati.**

## 2 - ISTRUZIONI DI SICUREZZA

- Leggete queste istruzioni
- Conservate queste istruzioni
- Prestate attenzione a tutti gli avvertimenti
- Seguite tutte le istruzioni



Questo simbolo viene utilizzato per indicare che all'interno di questo apparecchio sono presenti terminali sotto tensione, anche in condizioni operative normali, che possono essere sufficienti a costituire il rischio di scosse elettriche o morte.



Questo simbolo è usato per descrivere importanti problemi di installazione o configurazione. Il mancato rispetto dei consigli e delle informazioni su come evitare tali problemi può portare al malfunzionamento del prodotto.



Questo simbolo indica un terminale di messa a terra.

### ATTENZIONE

Descrive precauzioni da osservare per prevenire lesioni o morte dell'operatore.



Per proteggere l'ambiente, cercare di riciclare il più possibile il materiale di imballaggio e i materiali di consumo esauriti



Questo simbolo indica che il dispositivo può essere usato solo all'interno. Tenere asciutto il faro e non esporre a pioggia e umidità



Non gettare questo prodotto come spazzatura generica, conferire il prodotto seguendo le normative sui rifiuti elettronici in vigore nel vostro paese.

## 3 - MONTAGGIO E APPENDIMENTO

**⚠ Prestare attenzione alla sicurezza! Si prega di fare sempre riferimento alla direttiva EN 60598-2-17 e agli standard nazionali in fase di installazione. Solo personale autorizzato può eseguire l'installazione.**

### 3.1. Installazione Sospesa

- L'installazione del dispositivo deve essere progettata e costruita in un modo che possa sopportare 10 volte il peso per 1 ora, senza alcun cedimento o danneggiamento della struttura. L'installazione deve essere sempre protetta con un dispositivo di sicurezza secondario, ad esempio un cavo di sicurezza. Questo dispositivo deve essere realizzato in un modo tale che nessuna parte del prodotto possa cadere se il fissaggio principale cedesse.
- Durante le operazioni di montaggio, smontaggio o manutenzione del faro è vietato consentire lo stazionamento o anche solo il passaggio nell'area sottostante l'installazione. L'operatore deve assicurarsi che l'installazione e i sistemi di sicurezza siano approvati da un esperto prima di avviare per la prima volta il funzionamento dopo aver apportato qualsiasi modifica. Deve inoltre assicurarsi che un esperto approvi nuovamente l'installazione e i dispositivi di sicurezza ogni anno.

**⚠ IMPORTANTE: il montaggio su strutture sospese richiede un'esperienza specifica, tra cui (ma non soltanto) il calcolo dei limiti di carico di lavoro, la scelta del materiale di installazione e l'ispezione periodica del proiettore e dei dispositivi di sicurezza. Se non si dispone di tali qualifiche, è bene non procedere con l'installazione da soli, ma si consiglia di rivolgersi a professionisti specializzati. L'installazione impropria può provocare lesioni personali anche molto gravi.**

- Se il faro deve essere alzato verso/o abbassato dal soffitto o da travi sospese, è consigliabile usare sistemi di tralici professionali. L'apparecchio non deve mai essere lasciato oscillare liberamente.

**⚠ ATTENZIONE: utilizzare i morsetti appropriati per montare l'apparecchio sul traliccio. Assicurarsi che il dispositivo sia fissato correttamente e che il traliccio stesso sia sicuro.**

### 3.2. Acqua / umidità

- Il prodotto è per uso interno. Al fine di prevenire il rischio di incendio o scosse elettriche, non esporre a pioggia o umidità
- L'unità non può essere utilizzata vicino all'acqua; ad esempio vicino a una vasca da bagno, un lavello da cucina, una piscina, ecc.

### 3.3. Calore

- Non usare in uno spazio ristretto. Installare sempre in una posizione con un'adeguata ventilazione, almeno 20" (50 cm) da superfici adiacenti. Assicurarsi che nessuna fessura di ventilazione sull'alloggiamento del prodotto sia bloccato.
- L'apparecchio deve essere posto lontano da fonti di calore come radiatori, stufe o altri apparecchi che producono calore.



**Non usarlo quando la temperatura massima ambientale è superiore a 40 °C. La temperatura ottimale di lavoro va da -20 °C a 40 °C (da -4°F a 104°F).**

### 3.4. Manutenzione

- Non effettuare alcuna manutenzione diversa da quelle descritte nel presente manuale. In caso di ulteriori manutenzioni, rivolgersi a personale specializzato. Eventuali componenti interni devono essere acquistati da rivenditori specializzati. Utilizzare solo accessori o parti raccomandate dal produttore.

## 4 - INTRODUZIONE

La serie THESIS di teste mobili Centolight offre un modello wash con 19 potenti e affidabili LED da 15W. Rappresentano una valida alternativa alle lampade a ioduri di metallo con tutti i benefici della tecnologia LED: basso consumo, maggiore durata, minore dissipazione della temperatura. Il fascio luminoso varia da 10° a 60° grazie allo ZOOM controllato da motori di alta qualità che consentono una regolazione estremamente morbida e silenziosa.

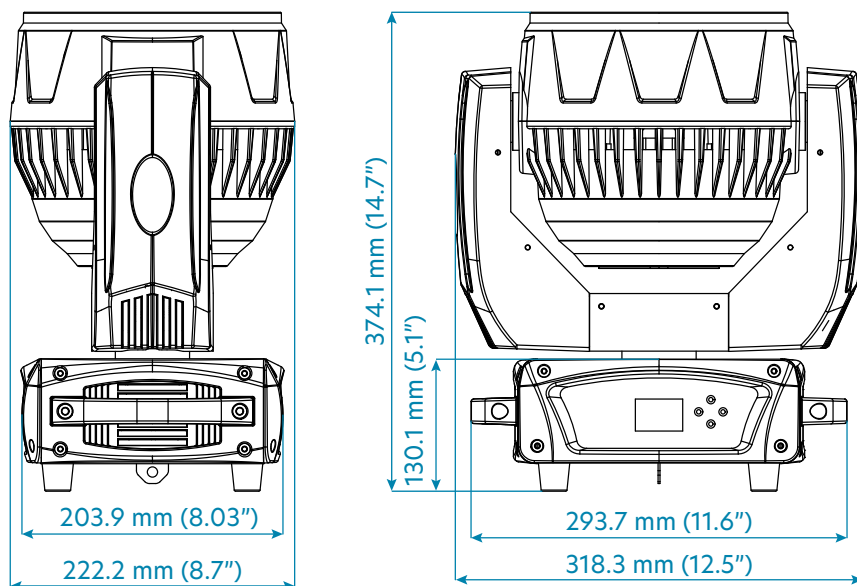
Il sistema di miscelazione dei colori in quadricromia e il dimmer accurato, fanno della nuova testa mobile THESIS un valido strumento di lavoro capace di valorizzare la creatività dei light designer più esigenti.

Particolare attenzione è dedicata alla precisione e silenziosità dei movimenti meccanici. PAN e TILT sono dotati di motori di alta qualità con controllo a 16-bit. Anche Lo ZOOM è gestito da motori di alta qualità per ridurre al minimo l'effetto skating e le vibrazioni. Il dimmer elettronico è accurato e morbido. La velocità della ventola è calibrata in modo da evitare l'aumento della temperatura interna e il surriscaldamento dell'apparecchio, garantendo il giusto equilibrio tra rumore, sicurezza e durata dei chip LED.

## 4.1 Caratteristiche

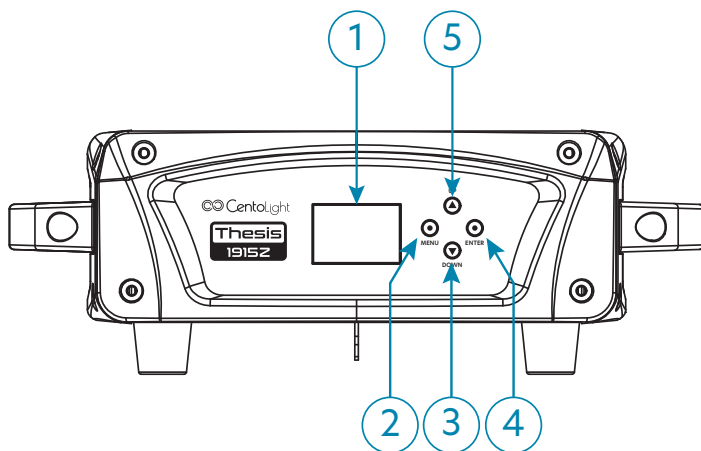
- Luci LED: 19x15W RGBW con durata di circa 50.000 ore.
- Angolo Beam: da 10° a 60°.
- Dimmer elettronico graduale con controllo a 16 bit.
- Strobo: 1-20Hz con modalità di lavoro ON e OFF per effetti di luce istantanea.
- Miscelazione RGBW dei colori uniformi.
- Controllo Ring, effetto Macro a colori.
- Funzione ZOOM da 10° a 60° / 1,7 secondi, con motori di alta qualità per fornire uno zoom accurato, raggio stabile ed omogeneità di effetto.
- PAN e TILT con scansione a 8-16 bit, reset fotoelettrico e funzione di correzione automatica degli errori.
- Modalità di controllo DMX512, Master-Slave, Auto e Sound.
- Tre modalità DMX: 14CH, 26CH, 30CH.
- Sistema di raffreddamento ad alta efficienza con ventole calibrate. Nessun rischio di danni alle lampade a LED.
- Display a colori LCD con una facile interfaccia utente..

### 1) Dimensioni THESIS 1915Z



## 5 - DESCRIZIONE DEL PRODOTTO

### 5.1 Pannello Frontale



#### 1) Display Grafico LCD

Mostra la modalità operativa e altre informazioni di sistema.

#### 2) Pulsante MENU

Premere per aprire il menu principale e selezionare tutte le funzioni di programmazione. Premere per tornare indietro e uscire dai sotto-menu.

#### 3) Pulsante GIÙ

Scorre le singole funzioni verso il basso nei menu/sotto-menu di selezione per le impostazioni del sistema (indirizzo DMX, modalità DMX, curva dimmer, ecc.) e diminuisce i valori/le impostazioni dei parametri.

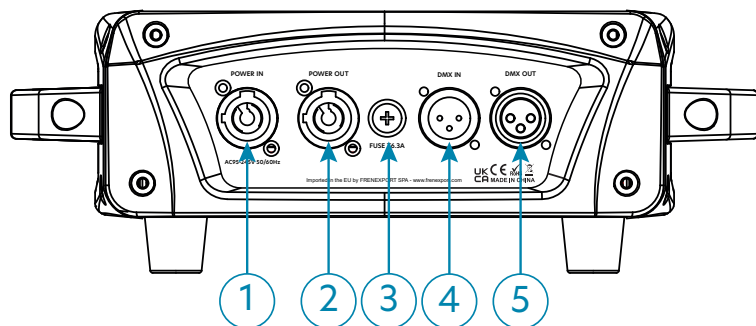
#### 4) Pulsante ENTER

Premere per accedere ai menu e confermare le modifiche dei valori dei parametri.

#### 5) Pulsante SU

Scorre le singole funzioni verso l'alto nei menu/sotto-menu di selezione per le impostazioni del sistema (indirizzo DMX, modalità DMX, curva dimmer, ecc.) e aumenta i valori/le impostazioni dei parametri.

## 5.2. Pannello Posteriore



### 1) Presenza di Alimentazione

Collegare il cavo di alimentazione ad una presa CA correttamente configurata per il modello specifico.

### 2) Presenza di Alimentazione per Dispositivi Esterni

Presenza di alimentazione per ulteriori dispositivi luci Centolight. Assicurarsi che il consumo di corrente totale di tutti le apparecchiature collegate non superi il valore specificato sulla testa mobile (massimo 4 dispositivi a 230V e 2 dispositivi a 130V).

### 3) Porta fusibile

Porta fusibile con fusibile T6.3A (5 x 20 mm). In caso di bruciatura del fusibile, per prevenire il rischio di incendio e di danneggiare l'unità, utilizzare solo un tipo di fusibile consigliato come descritto. Prima di sostituire il fusibile, assicurarsi che l'unità sia spenta e scollegata dalla presa di corrente.

### 4) Ingresso DMX

Presenza di ingresso XLR maschio a 3 pin per il collegamento a un dispositivo di controllo DMX

### 5) Uscita DMX

Presenza di uscita XLR femmina a 3 pin per l'invio del segnale di controllo DMX.


## 5.3. Connessioni di Rete

- Assicurarsi sempre che la tensione della presa a cui si collega il prodotto sia nell'intervallo indicato nel paragrafo "8 - Specifiche Tecniche" a pagina 56 (AC95V-245V; 50/60Hz).
- Assicurarsi che il cavo di alimentazione non sia spellato o danneggiato. Non


collegare mai questo prodotto a un Dimmer Pack o un Variatore di Tensione.

- Non scollegare mai il prodotto dal cavo di rete tirando o tirando il cavo.
- Per evitare scosse elettriche, tutti gli apparecchi devono essere collegati a circuiti con interruttore automatico.
- La corrispondenza dei fili interni al cavo è la seguente:

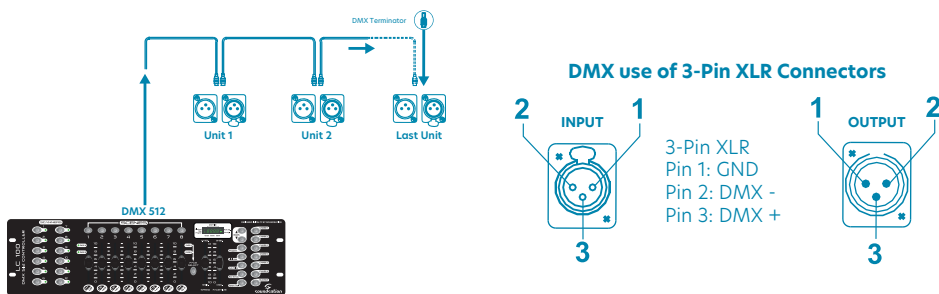
Colore Filo (EU)	Funzione	Nomenclatura Internazionale
Marrone	Fase	L
Blu	Neutro	N
Giallo/Verde	Terra	⊕

 **La Terra deve essere collegata! Prima di mettere in funzione per la prima volta, far approvare l'installazione da un esperto.**


## 5.4. Connessioni DMX

 **Quando si utilizza un controller DMX, assicurarsi che non vi siano fonti di interferenza (interfono, onde radio ad alta frequenza e sorgenti di radiazioni).**

Gli apparecchi DMX sono progettati per ricevere dati attraverso una catena seriale a cascata. Questo tipo di connessione permette di collegare il DMX OUT di un dispositivo al DMX IN del dispositivo successivo. L'ordine in cui i fari sono collegati non è importante e non ha alcun effetto su come una centralina comunica a ciascun faro. Utilizzare un ordine che preveda il cablaggio più semplice e diretto.



Collegare i dispositivi utilizzando un cavo bipolare schermato a 2 conduttori con connettori XLR maschio-femmina a 3 poli. La connessione dello schermo è il piedino 1, mentre il piedino 2 è negativo (S-) e il piedino 3 è positivo (S+).

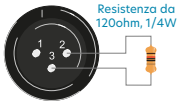
 **ATTENZIONE: 1 filo non devono entrare in contatto l'uno con l'altro; altrimenti i dispositivi non funzioneranno affatto o non funzioneranno correttamente.**

Fare riferimento alla seguente tabella per indirizzare i canali DMX512 per le prime 4 unità:

Modalità DMX	Indirizzo Unità 1	Indirizzo Unità 2	Indirizzo Unità 3	Indirizzo Unità 4
14 Canali	1	15	29	43
26 Canali	1	27	53	79
30 Canali	1	31	61	91

## 5.5. Terminatore DMX

### Terminatore DMX



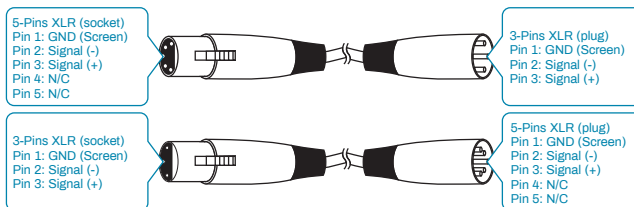
DMX è un protocollo di comunicazione resiliente, tuttavia si potrebbero verificare occasionalmente degli errori. I terminatori riducono gli errori di segnale; è quindi consigliabile usarle quando si verificano problemi con comportamenti irregolari degli apparecchi; specialmente se la lunghezza dei cavi DMX è elevata.

Il terminatore DMX è un connettore XLR con un resistore da 120Ω (ohm), 1/4 Watt collegato attraverso il segnale (-) e il segnale (+), rispettivamente, i pin 2 e 3, che viene quindi inserito nella presa di uscita sull'ultimo proiettore nella catena. Le connessioni sono illustrate di seguito.

**⚠ Un cavo di segnale DMX standard può trasmettere segnali a 20 unità al massimo. E' necessario un amplificatore di segnale per collegare più apparecchi.**

## 5.6. Cavi DMX 3-Poli/5-Poli

I protocolli di connessione DMX utilizzati dai produttori di centraline, teste mobili e fari non sono standardizzati in tutto il mondo. Tuttavia, due sono gli standard più comuni: XLR a 5 poli e sistema XLR a 3 poli. Se si desidera collegare questo faro a un dispositivo di ingresso XLR a 5 poli è necessario utilizzare un cavo adattatore o farlo da soli seguendo la corrispondenza di cablaggio tra gli standard di spina e presa a 3 e 5 poli





## 6 - DESCRIZIONE DELLE FUNZIONI

Grazie al display LCD ,(1) al paragrafo “5.1. Pannello Frontale” a pagina 37, è molto facile impostare e cambiare le funzioni e le modalità operative.

Quando Thesis 1915Z viene accesa e non è collegata a un controller DMX, passa automaticamente in modalità Stand alone; altrimenti passa in modalità DMX e il display visualizza il canale DMX corrente.

Per accedere al menu principale e selezionare una delle funzioni indicate, premere il pulsante “MENU” (2), quindi utilizzare i pulsanti “SU” (5) e “GIÙ” (3) per navigare nel menu, modificare i valori e cambiare modalità. Una volta selezionata la funzione desiderata, premere il pulsante “ENTER” (4) per accedere ai sotto-menu e confermare.

Per uscire dal menu principale o tornare indietro senza apportare modifiche, utilizzare il pulsante “MENU” o attendere circa 20 secondi.

Le funzioni principali sono illustrate nella tabella seguente:

DISPLAY/FUNZIONE	VALORI/OPZIONE
DMX Address	1 ÷ 512
Channel Mode	14 Channel
	26 Channel
	30 Channel
DMX State	M/S (master/slave)
	Hold
	Blackout
Show Mode	Show 1
	Show 2
	Show 3
	Show 4
Slave Mode	Slave 1
	Slave 2
Sound Trigger	On
	Off
Sound Sensitivity	0 ÷ 100
Pan Inverse	No
	Yes
Tilt Inverse	No
	Yes
P/T Feedback	No
	Yes
Pan Offset	0 ÷ 255

Tilt Offset	0 ÷ 255
Zoom Offset	0 ÷ 255
WhiteBalance Red	125 ÷ 255
WhiteBalance Green	125 ÷ 255
WhiteBalance Blue	125 ÷ 255
Dimmer Curve	Linear
	Square
	Inverse SQ
	S-Curve
Dimmer Speed	Fast
	Smooth
Display Inverse	No
	Yes
Display Contrast	0 ÷ 30
Backlight AutoOff	No
	Yes
Language	English
	Chinese
Auto Test	Pan, Tilt, Zoom, Color test
Fixture Usage Time	Ore totali di funzionamento dell'unità
Firmware Version	Attuale versione del firmware
Factory Setting	No
	Yes
Factory Passcode	0 ÷ 999
Reset	No
	Yes

## 1) DMX address

L'impostazione dell'indirizzo DMX consente di impostare il canale DMX della macchina tra 1 e 512. Premere "ENTER" e utilizzare i pulsanti "SU" / "GIÙ" per aumentare/diminuire il canale, quindi premere "ENTER" per confermare. Premere il tasto "MENU" per uscire dal menu principale. A questo punto il display mostrerà il canale DMX scelto.

## 2) Channel mode

Selezionando questa opzione, è possibile scegliere una delle modalità DMX disponibili. Premere il tasto "ENTER" per accedere al sotto-menu Channel Mode e utilizzare i tasti "SU" / "GIÙ" per scegliere tra le seguenti modalità:

- **14 Channel**
- **26 Channel**
- **30 Channel**

Premere "ENTER" per confermare, quindi premere il tasto "MENU" per uscire dal menu principale. Il display visualizzerà il canale selezionato in basso a sinistra.

### 3) DMX State

Questa funzione consente di decidere come l'apparecchio deve reagire quando è controllato via DMX e il segnale DMX viene interrotto. Premere il tasto "ENTER" per accedere al sotto-menu DMX State e utilizzare i tasti "SU" / "GIÙ" per scegliere tra:

- **M/S (master/slave):** l'apparecchio va in Show Mode.
- **Hold:** l'apparecchio continua a riprodurre l'ultima funzione scelta.
- **Blackout:** tutte le luci dell'apparecchio si spengono.

Premere "ENTER" per confermare la scelta, quindi premere "MENU" per uscire dal menu principale.

### 4) Show Mode

Quando il DMX State è impostato su "M/S", come descritto nel punto precedente, l'apparecchio inizia a eseguire uno spettacolo di luce autonomo quando non è connesso ad un controller DMX. Premere "ENTER" per accedere al sotto-menu Show Mode e selezionare una delle 4 diverse modalità di spettacolo, quindi premere nuovamente "ENTER" per confermare. Premere "MENU" per uscire dal menu principale.

### 5) Slave Mode

Quando si seleziona questa modalità, l'apparecchio si comporta come un'unità Slave ed esegue lo stesso programma in modo sincrono con l'unità Master, quando è collegato ad altri apparecchi. Premere "ENTER" per accedere al sotto-menu Slave Mode e selezionare "Slave 1" o "Slave 2", quindi premere nuovamente "ENTER" per confermare. Premere "MENU" per uscire dal menu principale.

### 6) Sound Trigger

Quando si seleziona questa modalità, l'apparecchio cambia i suoi programmi seguendo il rilevamento del suono determinato dalla sensibilità sonora. Premere "ENTER" per accedere al sotto-menu Sound Trigger e selezionare "On" per attivare la modalità, quindi premere "ENTER" per confermare. Premere "MENU" per uscire dal menu principale.

### 7) Sound Sensitivity

Regola la sensibilità dell'ingresso audio. Premere "ENTER" per accedere al sotto-menu Sound Sensitivity. Utilizzare i pulsanti "SU" / "GIÙ" per regolare il valore da 0 a 100 e premere "ENTER" per confermare. Premere "MENU" per uscire dal menu principale.

## 8) Pan Invert

Imposta il controllo Pan in direzione opposta. Premere "ENTER" per accedere al sotto-menu Pan Inverse e selezionare "Yes" per commutarlo, quindi premere nuovamente "ENTER" per confermare. Premere "MENU" per uscire dal menu principale.

## 9) Tilt Invert

Imposta il controllo Tilt in direzione opposta. Premere "ENTER" per accedere al sotto-menu Tilt Inverse e selezionare "Yes" per commutarlo, quindi premere nuovamente "ENTER" per confermare. Premere "MENU" per uscire dal menu principale.

## 10) P/T Feedback

Se questa funzione è attiva, il sistema di posizionamento Pan e Tilt può rilevare un errore di posizionamento e quindi regolarlo. Premere "ENTER" per accedere al sotto-menu P/T Feedback e selezionare "Yes" per attivarlo, quindi premere nuovamente "ENTER" per confermare. Premere "MENU" per uscire dal menu principale.

## 11) Pan Offset

Regola l'offset del controllo Pan. Premere "ENTER" per accedere al sotto-menu Pan Offset. Utilizzare i pulsanti "SU" / "GIÙ" per regolare il valore da 0 a 255 e premere "ENTER" per confermare. Premere "MENU" per uscire dal menu principale.

## 12) Tilt Offset

Regola l'offset del controllo Tilt. Premere "ENTER" per accedere al sotto-menu Tilt Offset. Utilizzare i pulsanti "SU" / "GIÙ" per regolare il valore da 0 a 255 e premere "ENTER" per confermare. Premere "MENU" per uscire dal menu principale.

## 13) Zoom Offset

Regola l'offset del controllo Zoom. Premere "ENTER" per accedere al sotto-menu Zoom Offset. Utilizzare i pulsanti "SU" / "GIÙ" per regolare il valore da 0 a 255 e premere "ENTER" per confermare. Premere "MENU" per uscire dal menu principale.

## 14) WhiteBalance Red

Regola il bilanciamento del bianco del colore rosso. Premere "ENTER" per accedere al sotto-menu WhiteBalance Red. Utilizzare i pulsanti "SU" / "GIÙ" per regolare il valore da 125 a 255 e premere "ENTER" per confermare. Premere "MENU" per uscire dal menu principale.

## 15) WhiteBalance Green

Regola il bilanciamento del bianco del colore verde. Premere "ENTER" per accedere al sotto-menu WhiteBalance Green. Utilizzare i pulsanti "SU" / "GIÙ" per regolare il valore da 125 a 255 e premere "ENTER" per confermare. Premere "MENU" per uscire

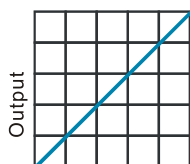
dal menu principale.

## 16) WhiteBalance Blue

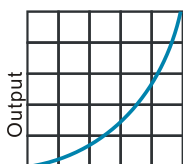
Regola il bilanciamento del bianco del colore blu. Premere "ENTER" per accedere al sotto-menu WhiteBalance Blue. Utilizzare i pulsanti "SU" / "GIÙ" per regolare il valore da 125 a 255 e premere "ENTER" per confermare. Premere "MENU" per uscire dal menu principale.

## 17) Dimmer Curve

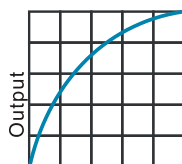
Premere il pulsante "ENTER" per accedere al sotto-menu Dimmer Curve e utilizzare i pulsanti "SU" / "GIÙ" per scegliere tra le seguenti modalità:



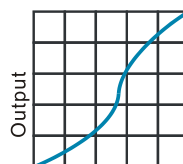
DMX%  
(Optically Linear)



DMX%  
(Square Law)



DMX%  
(Inverse Square Law)



DMX%  
(S-Curve)

- **Linear:** L'aumento dell'intensità luminosa rimane lineare all'aumentare del valore DMX.
- **Square Law:** L'intensità luminosa è più uniforme a valori bassi e più irregolare a valori alti.
- **Inverse Square Law:** L'intensità luminosa è più irregolare a valori bassi e più uniforme a valori alti.
- **S-Curve:** L'intensità luminosa è più omogenea ai valori bassi e alti e più irregolare ai valori medi.

## 18) Dimmer Speed

Regola la velocità del dimmer. Premere "ENTER" per accedere al sotto-menu Dimmer Speed. Utilizzare i pulsanti "SU" / "GIÙ" per scegliere tra "FAST" e "SMOOTH", quindi premere "ENTER" per confermare. Premere "MENU" per uscire dal menu principale.

## 19) Display Inverse

Consente di invertire il display LCD quando l'apparecchio è installato al contrario. Premere "ENTER" per accedere al sotto-menu Display Inverse. Usare i pulsanti "SU" / "GIÙ" e scegliere "YES" per invertire il display, quindi premere "ENTER" per confermare. Si noti che quando il display è invertito, anche i pulsanti sono invertiti (ad esempio, il pulsante "ENTER" funzionerà come pulsante "MENU", ecc.)

## 20) Display Contrast

Regola il contrasto del display. Premere "ENTER" per accedere al sotto-menu Display contrast. Utilizzare i pulsanti "SU" / "GIÙ" per regolare il valore da 0 a 30 e premere "ENTER" per confermare. Premere "MENU" per uscire dal menu principale.

## 21) Backlight AutoOff

Consente al display LCD di spegnersi automaticamente quando non viene premuto alcun pulsante. Premere "ENTER" per accedere al sotto-menu Backlight AutoOff. Utilizzare i pulsanti "SU" / "GIÙ" per scegliere tra "YES" (il display si spegne dopo un minuto) e "NO" (il display rimane sempre acceso), quindi premere "ENTER" per confermare. Premere "MENU" per uscire dal menu principale.

## 22) Backlight Brightness

Regola la luminosità del display. Premere "ENTER" per accedere al sotto-menu Backlight Brightness. Utilizzare i pulsanti "SU" / "GIÙ" per regolare il valore da 1 a 10 e premere "ENTER" per confermare. Premere "MENU" per uscire dal menu principale.

## 23) Language

Seleziona la lingua del display. Premere "ENTER" per accedere al sotto-menu Language. Utilizzare i pulsanti "SU" / "GIÙ" per scegliere tra "English" e "Chinese", quindi premere "ENTER" per confermare. Premere "MENU" per uscire dal menu principale.

## 24) Auto Test

Quando questa funzione è attiva, l'unità esegue programmi integrati per testare automaticamente le funzioni di pan, tilt, zoom e colore. Premendo "ENTER", l'Auto Test si avvia automaticamente. Per interromperlo in qualsiasi momento durante l'operazione, premere il tasto "MENU", altrimenti lasciare che venga eseguito e attendere che finisca. Quando l'apparecchio si ferma, tenere premuto il pulsante "ENTER" per tornare al menu principale.

## 25) Fixture Time

Premere "ENTER" e il display visualizzerà le ore totali di funzionamento dell'unità. Premere "MENU" per tornare indietro e uscire dal menu principale.

## 26) Firmware Version

Premere "ENTER" e il display visualizzerà la versione attuale del firmware. Premere "MENU" per tornare indietro e uscire dal menu principale.

## 27) Factory Setting

Questa funzione deve essere utilizzata solo quando si desidera ripristinare tutti i parametri ai valori predefiniti. Premere "ENTER" per accedere al sotto-menu Fac-

tory Setting. Selezionare "YES" per riportare tutti i parametri ai valori di fabbrica e premere "ENTER" per confermare. Premere "MENU" per uscire dal menu principale.

Spegnere e riaccendere l'apparecchio. Tutti i parametri ora sono ripristinati ai valori di fabbrica.

## 28) Factory Passcode

Premere "ENTER" per accedere al sotto-menu Factory Passcode. Utilizzare i pulsanti "SU" / "GIÙ" per regolare il valore da 0 a 999 e premere "ENTER" per confermare. Premere "MENU" per uscire dal menu principale. Questa funzione è riservata.

## 29) Reset

Azzerare i motori Pan, Tilt e Zoom. Premere "ENTER" per accedere al sotto-menu Reset. Selezionare "YES" e premere "ENTER" per confermare. Il reset si avvia automaticamente.

# 7 - MODALITÀ DMX

Le modalità DMX per questo modello sono 3: 14CH, 26CH and 30CH.

I dettagli sono riportati nelle tabelle seguenti:

## 7.1 Modalità 14CH

Canale	Funzione	Valore	Effetto
1	Pan	000 ÷ 255	Rotazione Pan
2	Pan Fine	000 ÷ 255	Regolazione fine del Pan
3	Tilt	000 ÷ 255	Rotazione Tilt
4	Tilt Fine	000 ÷ 255	Regolazione fine del Tilt
5	P/T speed	000 ÷ 255	Velocità Motore, da veloce a lenta
6	Funzioni Speciali	000 ÷ 199	Nessuna Funzione
		200 ÷ 210	Reset
		211 ÷ 255	Nessuna Funzione
7	Dimmer	000 ÷ 255	Funzione Dimmer, 0% - 100%
8	Shutter	000 ÷ 019	Blackout
		020 ÷ 024	Aperto
		025 ÷ 064	Strobo 1: da veloce a lento
		065 ÷ 069	Aperto
		070 ÷ 084	Strobo 2: apertura a impulsi, da veloce a lento
		085 ÷ 089	Aperto

		090 ÷ 104	Strobo 3: chiusura a impulsi, da veloce a lento
		105 ÷ 109	Aperto
		110 ÷ 124	Strobo 4: strobo random, da veloce a lento
		125 ÷ 129	Aperto
		130 ÷ 144	Strobo 5: apertura a impulsi random, da veloce a lento
		145 ÷ 149	Aperto
		150 ÷ 164	Strobo 6: chiusura a impulsi random, da veloce a lento
		165 ÷ 169	Aperto
		170 ÷ 184	Strobo 7: impulsi a raffica, da veloce a lento
		185 ÷ 189	Aperto
		190 ÷ 204	Strobo 8: impulsi a raffica random, da veloce a lento
		205 ÷ 209	Aperto
		210 ÷ 224	Strobo 9: onda sinusoidale, da veloce a lento
		225 ÷ 229	Aperto
		230 ÷ 244	Strobo 10: raffica, da veloce a lento
		245 ÷ 255	Aperto
9	Rosso	000 ÷ 255	0% - 100%
10	Verde	000 ÷ 255	0% - 100%
11	Blu	000 ÷ 255	0% - 100%
12	Bianco	000 ÷ 255	0% - 100%
13	Preset Colore	000 ÷ 009	Aperto
		010 ÷ 017	Colore 1
		018 ÷ 024	Colore 2
		025 ÷ 032	Colore3
		033 ÷ 039	Colore4
		040 ÷ 047	Colore 5
		048 ÷ 054	Colore 6
		055 ÷ 061	Colore 7
		062 ÷ 069	Colore 8
		070 ÷ 076	Colore 9
		077 ÷ 084	Colore 10
		085 ÷ 091	Colore 11
		092 ÷ 099	Colore 12
		100 ÷ 106	Colore 13
		107 ÷ 113	Colore14



		114 ÷ 121	Colore 15
		122 ÷ 128	Colore16
		129 ÷ 136	Colore 17
		137 ÷ 143	Colore 18
		144 ÷ 151	Colore 19
		152 ÷ 158	Colore 20
		159 ÷ 165	Colore 21
		166 ÷ 173	Colore 22
		174 ÷ 180	Colore 23
		181 ÷ 188	Colore 24
		189 ÷ 195	Colore 25
		196 ÷ 203	Colore 26
		204 ÷ 210	Colore 27
		211 ÷ 217	Colore 28
		218 ÷ 225	Colore 29
		226 ÷ 232	Colore 30
		233 ÷ 240	Colore 31
		241 ÷ 247	Colore 32
		248 ÷ 255	Colore 33
14	Zoom	000 ÷ 255	Da ampio a stretto

## 7.2. Modalità 26CH

Canale	Funzione	Valore	Effetto
1	Pan	000 ÷ 255	Rotazione Pan
2	Pan Fine	000 ÷ 255	Regolazione fine del Pan
3	Tilt	000 ÷ 255	Rotazione Tilt
4	Tilt Fine	000 ÷ 255	Regolazione fine del Tilt
5	P/T speed	000 ÷ 255	Velocità Motore, da veloce a lento
6	Zoom	000 ÷ 255	Zoom, da ampio a stretto
7	Funzioni Speciali	000 ÷ 199	Nessuna Funzione
		200 ÷ 210	Reset
		211 ÷ 255	Nessuna Funzione
8	Dimmer	000 ÷ 255	Funzione dimmer, 0% - 100%
9	Shutter	000 ÷ 019	Blackout
		020 ÷ 024	Aperto
		025 ÷ 064	Strobo 1: da veloce a lento
		065 ÷ 069	Aperto
		070 ÷ 084	Strobo 2: apertura a impulsi, da veloce a lento
		085 ÷ 089	Aperto

		090 ÷ 104	Strobo 3: chiusura a impulsi, da veloce a lento
		105 ÷ 109	Aperto
		110 ÷ 124	Strobo 4: strobo random, da veloce a lento
		125 ÷ 129	Aperto
		130 ÷ 144	Strobo 5: apertura a impulsi random, da veloce a lento
		145 ÷ 149	aperto
		150 ÷ 164	Strobo 6: chiusura a impulsi random, da veloce a lento
		165 ÷ 169	Aperto
		170 ÷ 184	Strobo 7: impulsi a raffica, da veloce a lento
		185 ÷ 189	Aperto
		190 ÷ 204	Strobo 8: impulsi a raffica random, da veloce a lento
		205 ÷ 209	Aperto
		210 ÷ 224	Strobo 9: onda sinusoidale, da veloce a lento
		225 ÷ 229	Aperto
		230 ÷ 244	Strobo 10: raffica, da veloce a lento
		245 ÷ 255	Aperto
10	Ring 1 Rosso	000 ÷ 255	0% - 100%
11	Ring 1 Verde	000 ÷ 255	0% - 100%
12	Ring 1 Blu	000 ÷ 255	0% - 100%
13	Ring 1 Bianco	000 ÷ 255	0% - 100%
14	Ring 1 Preset Colore	000 ÷ 009	Aperto
		010 ÷ 017	Colore1
		018 ÷ 024	Colore2
		025 ÷ 032	Colore3
		033 ÷ 039	Colore4
		040 ÷ 047	Colore5
		048 ÷ 054	Colore6
		055 ÷ 061	Colore7
		062 ÷ 069	Colore8
		070 ÷ 076	Colore9
		077 ÷ 084	Colore10
		085 ÷ 091	Colore11
		092 ÷ 099	Colore12
		100 ÷ 106	Colore13
107 ÷ 113	Colore14		

		114 ÷ 121	Colore15
		122 ÷ 128	Colore16
		129 ÷ 136	Colore17
		137 ÷ 143	Colore18
		144 ÷ 151	Colore19
		152 ÷ 158	Colore20
		159 ÷ 165	Colore21
		166 ÷ 173	Colore22
		174 ÷ 180	Colore23
		181 ÷ 188	Colore24
		189 ÷ 195	Colore25
		196 ÷ 203	Colore26
		204 ÷ 210	Colore27
		211 ÷ 217	Colore28
		218 ÷ 225	Colore29
		226 ÷ 232	Colore30
		233 ÷ 240	Colore31
		241 ÷ 247	Colore32
		248 ÷ 255	Colore33
15	Ring 2 Rosso	000 ÷ 255	0% - 100%
16	Ring 2 Verde	000 ÷ 255	0% - 100%
17	Ring 2 Blu	000 ÷ 255	0% - 100%
18	Ring 2 Bianco	000 ÷ 255	0% - 100%
19	Ring 2 Preset Colore	000 ÷ 255	Uguale al canale 14: Ring 1 Preset Colore
20	Ring 3 Rosso	000 ÷ 255	0% - 100%
21	Ring 3 Verde	000 ÷ 255	0% - 100%
22	Ring 3 Blu	000 ÷ 255	0% - 100%
23	Ring 3 Bianco	000 ÷ 255	0% - 100%
24	Ring 3 Preset Colore	000 ÷ 255	Uguale al canale 14: Ring 1 Preset Colore
25	Ring Macro Colore	000 ÷ 007	Blackout
		008 ÷ 022	Macro 1
		023 ÷ 037	Macro 2
		038 ÷ 052	Macro 3
		053 ÷ 067	Macro 4
		068 ÷ 082	Macro 5
		083 ÷ 097	Macro 6
		098 ÷ 112	Macro 7
		113 ÷ 127	Macro 8
		128 ÷ 142	Macro 9

		143 ÷ 157	Macro 10
		158 ÷ 172	Macro 11
		173 ÷ 187	Macro 12
		188 ÷ 202	Macro 13
		203 ÷ 217	Macro 14
		218 ÷ 232	Macro 15
		233 ÷ 247	Macro 16
		248 ÷ 255	Macro 17
26	Velocità Macro Colore	000 ÷ 255	Da lento a veloce

### 7.3. Modalità 30CH

Canale	Funzione	Valore	Effetto
1	Pan	000 ÷ 255	Rotazione Pan
2	Pan Fine	000 ÷ 255	Rotazione fine del Pan
3	Tilt	000 ÷ 255	Rotazione Tilt
4	Tilt Fine	000 ÷ 255	Rotazione fine del Tilt
5	P/T speed	000 ÷ 255	Velocità Motore, da veloce a lento
6	Zoom	000 ÷ 255	Zoom, da ampio a stretto
7	Funzioni Speciali	000 ÷ 199	Nessuna Funzione
		200 ÷ 210	Reset
		211 ÷ 255	Nessuna Funzione
8	Dimmer	000 ÷ 255	Funzione dimmer, 0% - 100%
9	Shutter	000 ÷ 019	Blackout
		020 ÷ 024	Aperto
		025 ÷ 064	Strobo 1: da veloce a lento
		065 ÷ 069	Aperto
		070 ÷ 084	Strobo 2: apertura a impulsi, da veloce a lento
		085 ÷ 089	Aperto
		090 ÷ 104	Strobo 3: chiusura a impulsi, da veloce a lento
		105 ÷ 109	Aperto
		110 ÷ 124	Strobo 4: strobo random, da veloce a lento
		125 ÷ 129	Aperto
		130 ÷ 144	Strobo 5: apertura a impulsi random, da veloce a lento
		145 ÷ 149	Aperto
150 ÷ 164	Strobo 6: chiusura a impulsi random, da veloce a lento		

		165 ÷ 169	Aperto
		170 ÷ 184	Strobo 7: impulsi a raffica, da veloce a lento
		185 ÷ 189	Aperto
		190 ÷ 204	Strobo 8: impulsi a raffica random, da veloce a lento
		205 ÷ 209	Aperto
		210 ÷ 224	Strobo 9: onda sinusoidale, da veloce a lento
		225 ÷ 229	Aperto
		230 ÷ 244	Strobo 10: raffica, da veloce a lento
		245 ÷ 255	Aperto
10	Ring 1 Rosso	000 ÷ 255	0% - 100%
11	Ring 1 Verde	000 ÷ 255	0% - 100%
12	Ring 1 Blu	000 ÷ 255	0% - 100%
13	Ring 1 Bianco	000 ÷ 255	0% - 100%
14	Ring 1 Preset Colore	000 ÷ 009	Aperto
		010 ÷ 017	Colore1
		018 ÷ 024	Colore2
		025 ÷ 032	Colore3
		033 ÷ 039	Colore4
		040 ÷ 047	Colore5
		048 ÷ 054	Colore6
		055 ÷ 061	Colore7
		062 ÷ 069	Colore8
		070 ÷ 076	Colore9
		077 ÷ 084	Colore10
		085 ÷ 091	Colore11
		092 ÷ 099	Colore12
		100 ÷ 106	Colore13
		107 ÷ 113	Colore14
		114 ÷ 121	Colore15
		122 ÷ 128	Colore16
		129 ÷ 136	Colore17
		137 ÷ 143	Colore18
		144 ÷ 151	Colore19
		152 ÷ 158	Colore20
		159 ÷ 165	Colore21
		166 ÷ 173	Colore22
		174 ÷ 180	Colore23
181 ÷ 188	Colore24		

		189 ÷ 195	Colore25
		196 ÷ 203	Colore26
		204 ÷ 210	Colore27
		211 ÷ 217	Colore28
		218 ÷ 225	Colore29
		226 ÷ 232	Colore30
		233 ÷ 240	Colore31
		241 ÷ 247	Colore32
		248 ÷ 255	Colore33
15	Ring 2 Rosso	000 ÷ 255	0% - 100%
16	Ring 2 Verde	000 ÷ 255	0% - 100%
17	Ring 2 Blu	000 ÷ 255	0% - 100%
18	Ring 2 Bianco	000 ÷ 255	0% - 100%
19	Ring 2 Preset colore	000 ÷ 255	Uguale al canale 14: Ring 1 Preset Colore
20	Ring 3 Rosso	000 ÷ 255	0% - 100%
21	Ring 3 Verde	000 ÷ 255	0% - 100%
22	Ring 3 Blu	000 ÷ 255	0% - 100%
23	Ring 3 Bianco	000 ÷ 255	0% - 100%
24	Ring 3 Preset Colore	000 ÷ 255	Uguale al canale 14: Ring 1 Preset colore
25	Ring Macro Colore	000 ÷ 007	Blackout
		008 ÷ 022	Macro 1
		023 ÷ 037	Macro 2
		038 ÷ 052	Macro 3
		053 ÷ 067	Macro 4
		068 ÷ 082	Macro 5
		083 ÷ 097	Macro 6
		098 ÷ 112	Macro 7
		113 ÷ 127	Macro 8
		128 ÷ 142	Macro 9
		143 ÷ 157	Macro 10
		158 ÷ 172	Macro 11
		173 ÷ 187	Macro 12
		188 ÷ 202	Macro 13
		203 ÷ 217	Macro 14
218 ÷ 232	Macro 15		
233 ÷ 247	Macro 16		
248 ÷ 255	Macro 17		
26	Velocità Macro Colore	000 ÷ 255	Da lento a veloce

27	Ring Macro Colore 2	000 ÷ 009	Nessuna Funzione
		010 ÷ 031	Macro 1
		032 ÷ 063	Macro 2
		064 ÷ 095	Macro 3
		096 ÷ 127	Macro 4
		128 ÷ 159	Macro 5
		160 ÷ 191	Macro 6
		192 ÷ 223	Macro 7
		224 ÷ 255	Macro 8
28	Ring Macro Colore 3	000 ÷ 015	Nessuna Funzione
		016 ÷ 039	Macro 1
		040 ÷ 063	Macro 2
		064 ÷ 087	Macro 3
		088 ÷ 111	Macro 4
		112 ÷ 135	Macro 5
		136 ÷ 159	Macro 6
		160 ÷ 183	Macro 7
		184 ÷ 207	Macro 8
		208 ÷ 231	Macro 9
		232 ÷ 255	Macro 10
29	Ring Macro Colore 4	000 ÷ 015	No function
		016 ÷ 027	Macro 1
		028 ÷ 039	Macro 2
		040 ÷ 051	Macro 3
		052 ÷ 063	Macro 4
		064 ÷ 075	Macro 5
		076 ÷ 087	Macro 6
		088 ÷ 099	Macro 7
		100 ÷ 111	Macro 8
		112 ÷ 123	Macro 9
		124 ÷ 135	Macro 10
		136 ÷ 147	Macro 11
		148 ÷ 159	Macro 12
		160 ÷ 171	Macro 13
		172 ÷ 183	Macro 14
		184 ÷ 195	Macro 15
		196 ÷ 207	Macro 16
		208 ÷ 219	Macro 17
		220 ÷ 231	Macro 18
		232 ÷ 243	Macro 19
244 ÷ 255	Macro 20		

30	Ring Macro Colore 4	000 ÷ 127	Salto di colore: da lento a veloce
		128 ÷ 255	Dissolvenza di colore: da lento a veloce

## 8 - SPECIFICHE TECNICHE

Luci LED	19 x 15W RGBW
Durata LED	50.000 Ore
Voltaggio	95V-245V 50-60Hz
Consumo Energia	285W
Modalità di controllo	DMX512, Master/Slave, Auto, Sound
Modalità Canale	14CH, 26CH, 30CH
Angolo Beam	10° ÷ 60°
Dimmer	0-100% (16bit)
Zoom	Da 10° a 60° in 1,7s
Strobo	1-20Hz
Display	LCD a Colori; Selezione lingue tra Inglese e Cinese; Rovesciabile
Temperatura di lavoro	0 ÷ 40°C
Dimensioni Faro (LxPxA)	318.3 x 222.2 x 374.1 mm (12.53 x 8.75 x 14.73 in)
Peso Faro	9.0 kg (19.84 lbs)
Dimensioni Imballo (LxPxA)	355 x 280 x 475 mm (13.98 x 11.02 x 18.70 in)
Peso Imballo	12 Kg (26.45 lbs)

*Nota: i nostri prodotti sono soggetti a un processo di sviluppo continuo. Pertanto le modifiche alle caratteristiche tecniche restano soggette a modifiche senza preavviso.*



## 9 - GARANZIA E ASSISTENZA

Tutti i prodotti CENTOLIGHT sono coperti da garanzia di due anni. Essa è valida dalla data di acquisto, come indicato dal documento di acquisto. I seguenti casi/ componenti non sono coperti dalla garanzia di cui sopra:

- Tutti gli accessori forniti con il prodotto
- Uso improprio
- Guasto dovuto all'usura
- Ogni modifica del prodotto effettuata dall'utente o da terzi

CENTOLIGHT soddisfa gli obblighi di garanzia dovuti a eventuali materiali non conformi o difetti di fabbricazione, rimediando gratuitamente e a discrezione di CENTOLIGHT, sia mediante riparazione o sostituendo singole parti o l'intero apparecchio. Eventuali parti difettose rimosse da un prodotto durante il corso di una richiesta di garanzia diventano di proprietà di CENTOLIGHT.

Durante il periodo di garanzia, i prodotti difettosi possono essere restituiti al rivenditore CENTOLIGHT con prova di acquisto originale. Per evitare danni durante il trasporto, si prega di utilizzare l'imballo originale (se disponibile). In alternativa, inviare il prodotto a SERVICE CENTER CENTOLIGHT - Via Enzo Ferrari, 10 - 62017 Porto Recanati - Italia. Per inviare un prodotto al centro di assistenza è necessario un numero di RMA. Le spese di trasporto devono essere coperte dal proprietario del prodotto.

Per ulteriori informazioni visitate il sito [www.centolight.com](http://www.centolight.com)

## 10 - AVVISO UE E SEE (NORVEGIA, ISLANDA, LIECHTENSTEIN)



**LEGGETE ATTENTAMENTE** - Questo simbolo indica che il prodotto non deve essere smaltito con i rifiuti domestici, in base alla direttiva RAEE (2202/96/CE) e legislazione nazionale.

Il prodotto deve essere consegnato a un centro di raccolta differenziata o, in caso di ritiro dell'usato quando si acquista un nuovo prodotto simile, ad un rivenditore autorizzato per il riciclaggio di apparecchiature elettriche ed elettroniche (WEEE). Un uso improprio di questo tipo di rifiuti può avere un impatto negativo sull'ambiente e sulla salute umana a causa di sostanze potenzialmente pericolose che sono generalmente associate alle apparecchiature elettriche ed elettroniche. Allo stesso tempo, la vostra collaborazione per il corretto smaltimento di questo prodotto contribuirà a un utilizzo efficace delle risorse naturali.

Per ulteriori informazioni sui punti di raccolta delle apparecchiature da rottamare, contattate il comune, l'autorità di gestione dei rifiuti, strutture coinvolte nel sistema RAEE o il servizio di smaltimento dei rifiuti domestici.



[www.centolight.com](http://www.centolight.com)



---

This product is imported in EU by  
Questo prodotto viene importato nella UE da

**FRENEXPORT SPA - Via Enzo Ferrari, 10 - 62017 Porto Recanati - Italy**

Centolight® is a registered trademark of FRENEXPORT SPA - Italy  
Centolight® è un marchio di fabbrica registrato di FRENEXPORT SPA - Italia



[www.centolight.com](http://www.centolight.com)