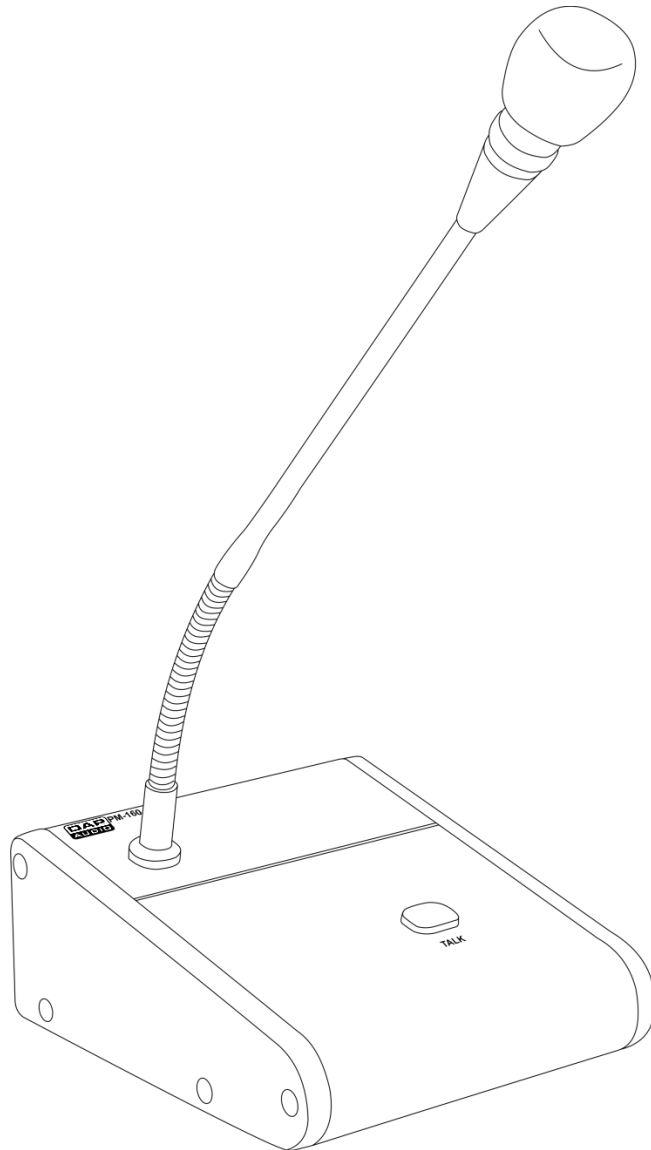




MANUAL



ENGLISH

PM-160
Ordercode: D6191

Warning



CAUTION!
Keep this device away from rain and moisture!



Every person involved with the installation, operation and maintenance of this system has to:

- be qualified
- follow the instructions of this manual

Only use the supplied DAP audio adapter.

Your shipment includes:

- PM-160 (Announcement microphone)
- AC power adapter
- Jack – Jack Unbalanced cable
- User manual

Description

The PM-160 announcement microphone is designed to be connected directly to a amplifier input ore a mixer input. The unit features a clear sound and low feedback sensibility.

- Mic- volume adjustable on backside
- Chime volume adjustable on backside
- Talk button on upside
- Build-in four tone Chime

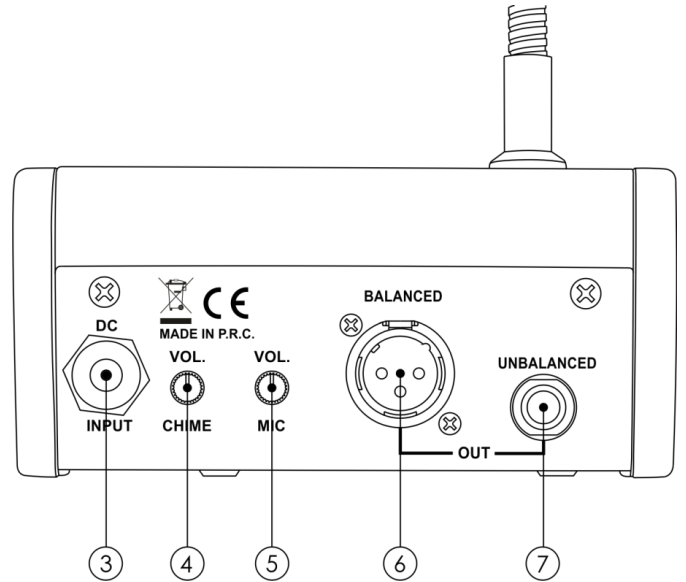
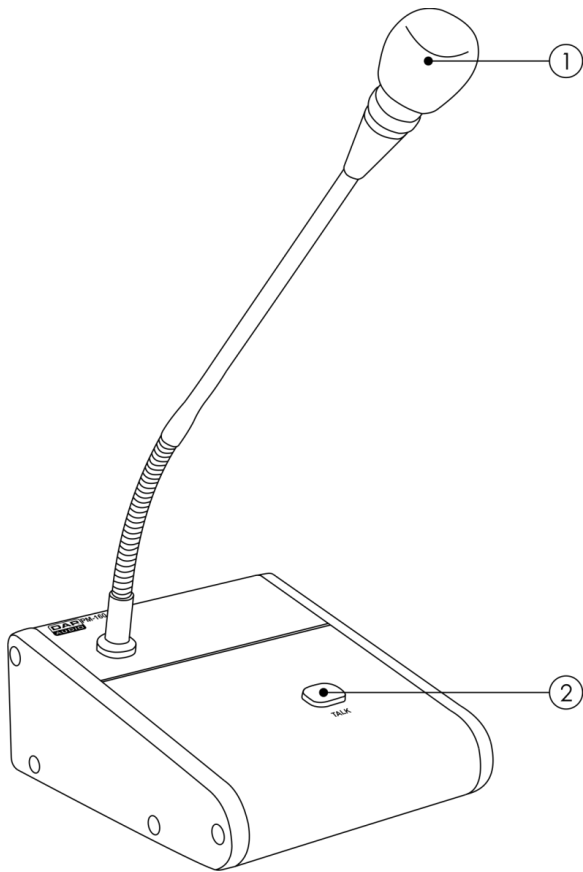
Operation

Push down the talk button. The light inside the button blinks and a chime sound is send to the output. When the light burns continuously, the microphone can be used.

Pressing the button once again, the light blinks and a chime sound is send to the output. The microphone is now turned off.

Microphone neck LED lights up represent you can speak with microphone, Microphone neck LED lights off represent microphone is turned off.

Overview



①	Microphone	Broadcasting speak microphone
②	Talk	Broadcasting switch control button
③	DC Input	This connector is used to connect the supplied AC adapter.
④	Chime volume	Adjust volume of prelude musical
⑤	Mic. Volume	Adjust volume of microphone
⑥	Balanced out	Balanced output socket
⑦	Unbalanced Out	Unbalanced output socket

Specifications

Microphone unit:	Condenser
Freq response:	22 Hz – 23 KHz
Sensitivity:	29dB @ 1kHz
Balanced output:	230mV
Unbalanced output:	110mV
Dimensions:	132x155x380mm
Weight:	0,7Kg



©2014 DAP Audio