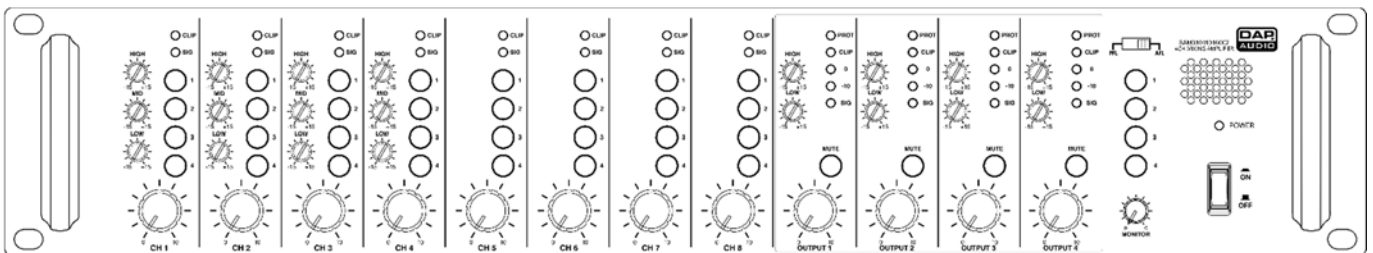




MANUAL



ENGLISH

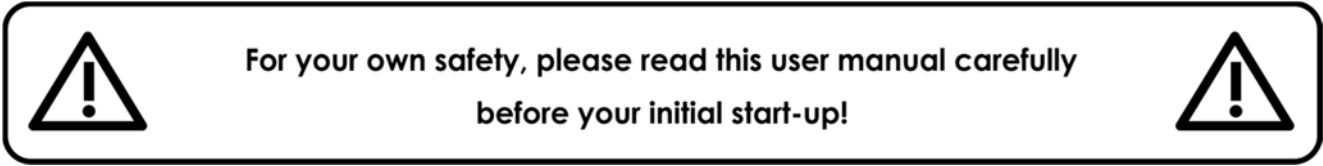
MA-8120 Digital Zone Amplifier V1

Ordercode: D6195

Table of contents

Warning	2
Unpacking Instructions	2
Safety Instructions	2
Operating Determinations.....	4
Return Procedure	4
Claims	4
Description of the device	5
Features	5
Overview	5
Frontside	6
Backside	7
Installation	7
Set Up and Operation	7
Connection Cables	8
Block Diagram	9
Maintenance	10
Troubleshooting	10
Product Specifications	10
Dimensions	11
Notes	12

Warning

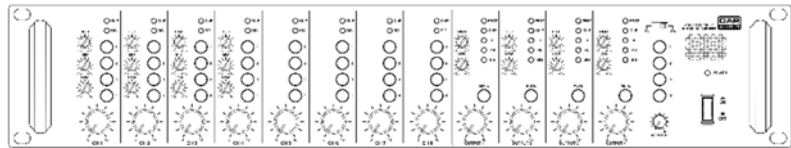


Unpacking Instructions

Immediately upon receiving this product, carefully unpack the carton and check the contents to ensure that all parts are present and have been received in good condition. Notify the dealer immediately and retain packing material for inspection if any parts appear damaged from shipping or the carton itself shows signs of mishandling. Save the carton and all packing materials. In the event that a fixture must be returned to the factory, it is important that the fixture be returned in the original factory box and packing.

Your shipment includes:

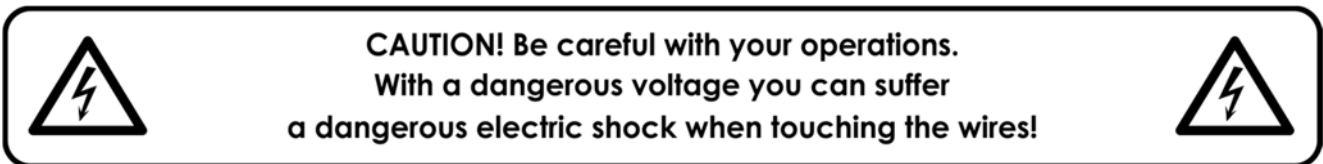
- MA-8120 Digital Zone Amplifier
- User manual



Safety Instructions

Every person involved with the installation, operation and maintenance of this system has to:

- be qualified
- follow the instructions of this manual



Before the initial start-up, please make sure that there is no damage caused by transportation. Should there be any, consult your dealer and do not use the system.

To maintain perfect condition and to ensure a safe operation, it is absolutely necessary for the user to follow the safety instructions and warning notes written in this manual.

Please consider that damages caused by manual modifications to the system are not subject to warranty.

This system contains no user-serviceable parts. Refer servicing to qualified technicians only.

IMPORTANT:

The manufacturer will not accept liability for any resulting damages caused by the non-observance of this manual or any unauthorized modification to the system.

- Always let the device cool down before cleaning or servicing.
- Always disconnect power from the mains, when system is not used. Only handle the power cord by the plug. Never pull out the plug by tugging the power cord.
- Always operate the unit with the AC ground wire connected to the electrical system ground.
- Avoid flames and do not put close to flammable liquids or gases.
- Avoid ground loops! Always be sure to connect the power amps and the mixing console to the same electrical circuit to ensure the same phase!
- Before changing the ground, always turn off your amplifier.
- Do not connect this device to a dimmer pack.
- Do not drive the inputs with a signal level higher than required to drive the equipment to full output.
- Do not insert objects into air vents.
- Do not open the device and do not modify the device.
- Do not open this device. Risk: hazardous radiation exposure.
- Do not switch the system on and off in short intervals, as this would reduce the system's life.
- Do not put your equipment next to TV, radio, etc., because of interference or distortion.
- If device is dropped or struck, disconnect mains power supply immediately. Have a qualified engineer inspect for safety before operating.
- If the system has been exposed to drastic temperature fluctuation (e.g. after transportation), do not switch it on immediately. The arising condensation water might damage your system. Leave the system switched off until it has reached room temperature.
- If you connect other parts of the system, beware ground loops.
- If your Dap Audio device fails to work properly, discontinue use immediately. Pack the unit securely (preferably in the original packing material) and return it to your Dap Audio dealer for service.
- In system setup, the amplifier's output power must be 50%-100% higher than the loaded loudspeakers' rated power.
- In typical use, please set the volume to 0dB position.
- Make sure that the amplifier is turned down, before turning the power on or off. In this way you can avoid supersonic frequencies, which could damage your speakers.
- Make sure that the available voltage is not higher than stated on the rear panel.
- Make sure that the power cord is never crimped or damaged. Check the device and the power cord from time to time.
- Make sure that the signals coming into the mixer are balanced, otherwise hum could be created.
- Make sure you do not use the wrong kind of cables or defective cables.
- Make sure you use DI boxes to balance unbalanced signals; All incoming signals should be clear
- Never let the power cord come into contact with other cables! Handle the power cord and all connections with the mains with particular caution!
- Never remove warning or informative labels from the unit.
- Never use anything to cover the ground contact.
- Only use device indoors, avoid contact with water or other liquids.
- Please read this manual carefully and keep it for future reference.
- Please turn off the power switch, when replacing the power cord, signal cable or selecting the input mode switch.
- Prevent distortion! Make sure that all components connected to the device have sufficient power ratings. Otherwise, distortion will be generated because the components are operated at their limits.
- Sometimes, when you want to send one signal to more than one amplifier, you should use a signal distributor.
- The best way to avoid ground loops is connecting the electrical system ground to one central point ("star" system). In this case the mixer can act as a central point.
- This device falls under protection class I. Therefore it is essential to connect the yellow/green conductor to earth.
- The user is responsible for correct positioning and operating of the MA-8120 amplifier. The manufacturer will not accept liability for damages caused by the misuse or incorrect installation of this device.
- Repairs, servicing and electric connection must be carried out by a qualified technician.
- WARRANTY: Till one year after date of purchase.

Operating Determinations

This system is not designed for permanent operation. Consistent operation breaks will ensure that the system will serve you for a long time without defects.

If this system is operated in any other way than the one described in this manual, the product may suffer damages and the warranty becomes void.

Any other operation may lead to dangers like short-circuit, burns, electric shock, etc.

You endanger your own safety and the safety of others!

Improper installation can cause serious damage to people and property !



Return Procedure

Returned merchandise must be sent prepaid and in the original packing, call tags will not be issued. Package must be clearly labeled with a Return Authorization Number (RMA number). Products returned without an RMA number will be refused. Highlite will not accept the returned goods or any responsibility. Call Highlite 0031-455667723 or mail aftersales@highlite.nl and request an RMA prior to shipping the fixture. Be prepared to provide the model number, serial number and a brief description of the cause for the return. Be sure to properly pack fixture, any shipping damage resulting from inadequate packaging is the customer's responsibility. Highlite reserves the right to use its own discretion to repair or replace product(s). As a suggestion, proper UPS packing or double-boxing is always a safe method to use.

Note: If you are given an RMA number, please include the following information on a piece of paper inside the box:

- 01) Your name
- 02) Your address
- 03) Your phone number
- 04) A brief description of the symptoms

Claims

The client has the obligation to check the delivered goods immediately upon delivery for any shortcomings and/or visible defects, or perform this check after our announcement that the goods are at their disposal. Damage incurred in shipping is the responsibility of the shipper; therefore the damage must be reported to the carrier upon receipt of merchandise.

It is the customer's responsibility to notify and submit claims with the shipper in the event that a device is damaged due to shipping. Transportation damage has to be reported to us within one day after receipt of the delivery.

Any return shipment has to be made post-paid at all times. Return shipments must be accompanied with a letter defining the reason for return shipment. Non-prepaid return shipments will be refused, unless otherwise agreed in writing.

Complaints against us must be made known in writing or by fax within 10 working days after receipt of the invoice. After this period complaints will not be handled anymore.

Complaints will only then be considered if the client has so far complied with all parts of the agreement, regardless of the agreement of which the obligation is resulting.

Description of the device

The DAP MA-8120 is a compact but powerful matrix amplifier with 8 selectable sources which can be connected to 4 independent outputs. All microphones are equipped with phantom power and can also be selected as line input. The first microphone channel has a talk-over function and a 3-way tone control. On the front, there is a speaker which acts as a monitor and which can be used as PFL, as well as AFL. You can connect up to 4 external wall panels (optional) with which you can control the volume or connect an extra source (Line or Mic).

The DAP MA-8120 has four built-in amplifiers (120W each). The volume of each amplifier can be controlled independently. Each output has a 2-way tone control and a mute function.

The DAP MA-8120 is the ideal all-in-one solution for your multi-zone installation which requires extended and complete control.

Features

Outputs: Power: 4 x 120W
 Zones: 4
 Tone control: High: 10kHz, Low 100Hz +/- 15dB
 100V/70V: Terminals
 Line output: Terminals

Inputs: 4 x Mic/Line: XLR & stereo jack connectors
 4 x Line: RCA & mono jack connectors

Features: Phantom power: +48V
 Tone control: Low 80 Hz, Mid: 2,5kHz, High 12kHz, +/-15dB
 Mic input: -60dB - -16dB / 20kOhm, balanced
 Line input: -20dB - +4dB / 20kOhm, balanced
 Remote input: 0B/600Ohm, balanced
 Frequency response: 20Hz–20kHz
 THD: < 0,1%

General: Input voltage: 230V AC, 50Hz
 Power consumption: 500W
 Power connection: IEC
 Fuse: T4AL/250V
 Dimensions: 482 x 345 x 89 mm (LxWxH)
 19 inch x 2HE
 Weight: 6 kg

Optional accessories

[D6196](#) MA-8120WP Wall Control

[D6197](#) MA-8120PM Paging Microphone

Overview

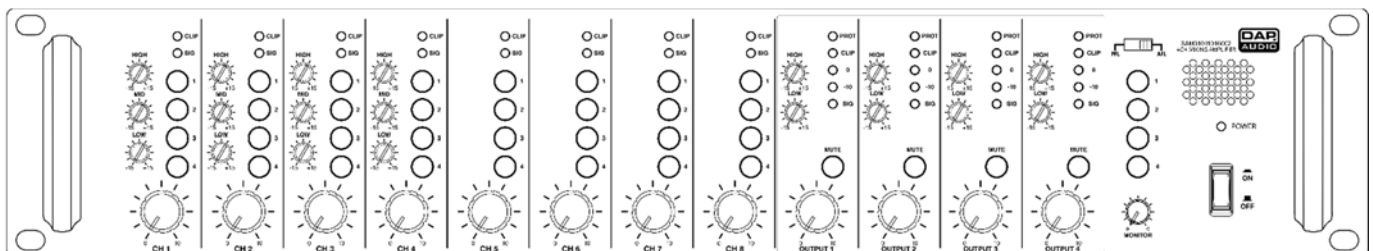


Fig. 01

Frontside

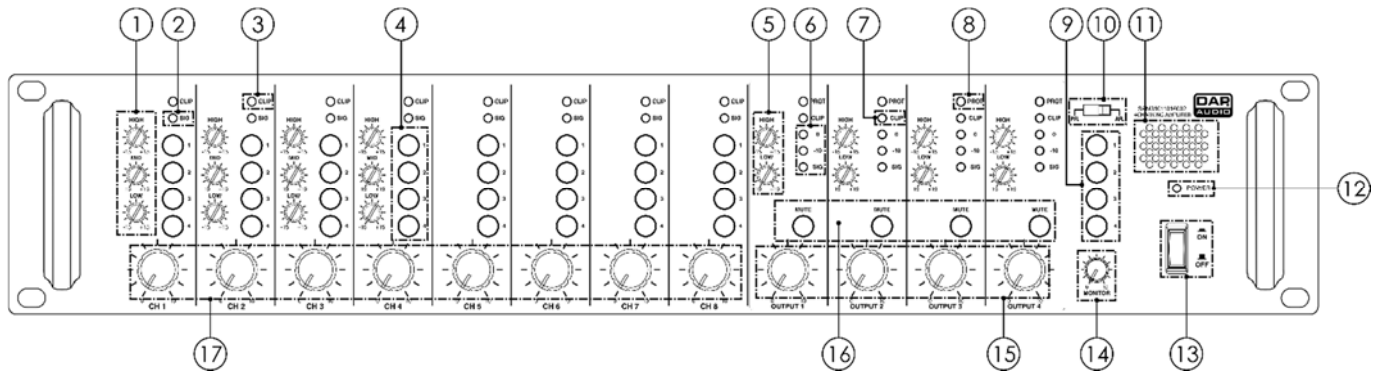


Fig. 02

- ① **Input channel EQ controls**
Turn the controls to equalize the input signal. The adjustment range is from -12dB to +12dB at 80Hz (LOW); 2,5kHz (MID) and 12,5kHz (HIGH) for CH1-4.
- ② **Signal indicator**
This LED indicates the current input signal.
- ③ **Clip indicator**
This LED indicates overload. If it is on, turn the **Trim controls (20/22)** on the rear of the MA-8120 to guarantee undistorted performance.
- ④ **Output channel selectors**
Press the buttons to route each input signal to the selected output channel.
- ⑤ **Output channel EQ controls**
Turn the controls to equalize the output signal. The adjustment range is from ±15dB at 12kHz (HIGH); ±15dB at 80Hz (LOW).
- ⑥ **Output level meter**
These LEDs show the current output level.
- ⑦ **Clip indicator**
This LED indicates overload. If it is on, turn the corresponding volume control to guarantee undistorted performance.
- ⑧ **Protection indicator**
This LED indicates amplifier protection, caused by overcurrent or overheating.
- ⑨ **Monitor switches**
Press the buttons to monitor each output channel by means of the internal **monitor speaker (11)**.
- ⑩ **PFL/AFL selector**
Select the desired monitor: before (PFL) or after master volume (AFL).
- ⑪ **Monitor speaker**
- ⑫ **Power indicator**
This LED lights up when the device is switched on.
- ⑬ **Power switch**
Press the button to switch the MA-8120 on/off.
- ⑭ **Monitor output control**
Turn the control to set the monitor level of the monitor speaker.
- ⑮ **Output volume controls (output 1-4)**
Turn the controls to set the level for each output channel.
- ⑯ **Mute buttons**
Press the buttons to mute the desired output channel.
- ⑰ **Input channel volume (CH1-8)**
Turn the controls to set the input level for each channel.

Backside

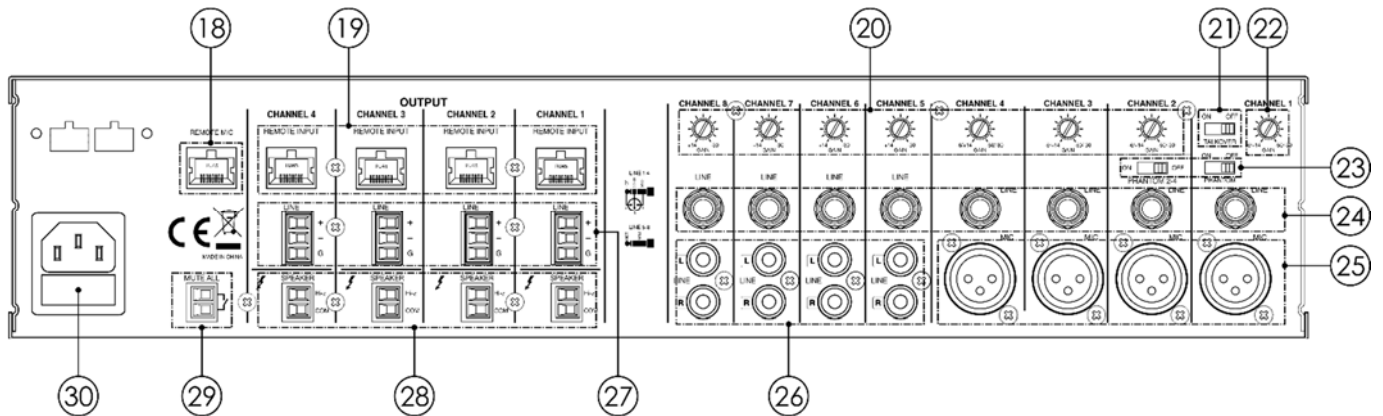


Fig. 03

- ⑱ **RJ45 remote mic connector IN**
Connect the **D6197 – MA-8120PM** Paging Mic, for individual zone announcements.
- ⑲ **RJ45 remote connector IN**
Connect the **D6196 – MA-8120WP** Wall Control, to provide an external input source and control.
- ⑳ **Trim controls (CH2-8)**
Turn the controls to adjust the input level. The adjustment range is 44dB for microphone input channels (-50dB to -6dB) and -30dB to +14dB for line input channels.
- ㉑ **Talkover switch**
When set to ON, the input signal of channel 1 will mute all the other input signals.
- ㉒ **Trim control (CH1)**
Turn the controls to adjust the input level. The adjustment range is 44dB for microphone input channels (-50dB to -6dB) and -30dB to +14dB for line input channels.
- ㉓ **Phantom power switch**
Switch the phantom power on for each microphone input, when using a condenser microphone.
- ㉔ **6,3 mm jack signal connectors IN**
Connect your signal source. The channels 1-4 support balanced line and microphone TRS input. The unbalanced channels 5-8 support mono line input (tip + sleeve).
- ㉕ **XLR signal connectors IN**
Connect your signal source. The channels 1-4 support balanced line and microphone input.
- ㉖ **RCA line connectors IN**
Connect a line level unbalanced signal source.
- ㉗ **Terminal connectors – line OUT**
These connectors provide balanced output signal for connecting an external amplifier.
- ㉘ **Terminal connectors – speaker OUT**
These connectors provide an output for 100V speaker systems.
- ㉙ **Terminal connectors – MUTE ALL**
Use this connector for muting all outputs.
- ㉚ **IEC 230V AC power connector IN + Fuse T4AL/250V**

Installation

Remove all packing materials from the MA-8120 Digital Zone Amplifier. Check if all foam and plastic padding is removed. Fit the equipment to a 19" rack. Connect all cables.

Always disconnect from electric mains power supply before cleaning or servicing.
Damages caused by non-observance are not subject to warranty.

Set Up and Operation

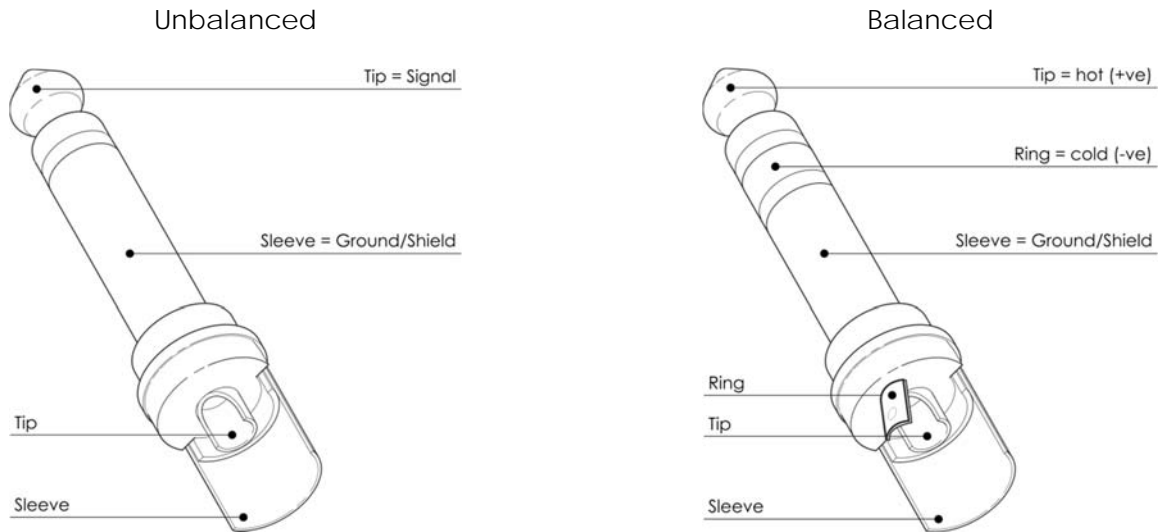
Before plugging the unit in, always make sure that the power supply matches the product specification voltage. Do not attempt to operate a 120V specification product on 240V power, or vice versa.

Install this device on a flat surface, not bending or curved.

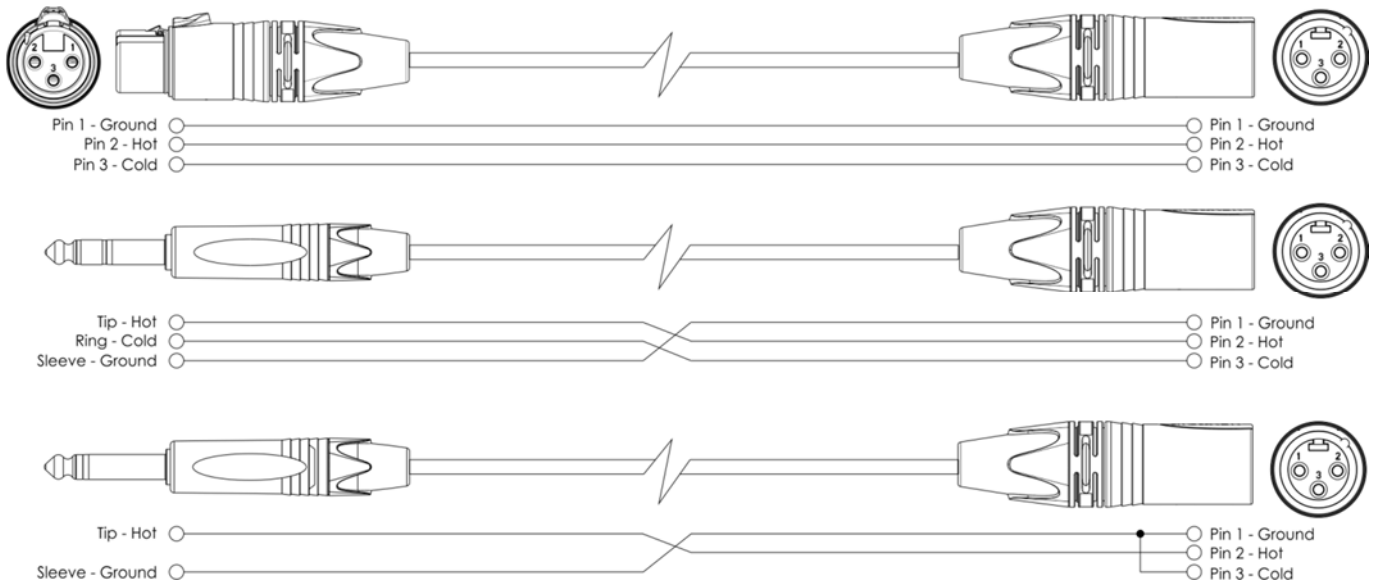
Do not supply power before all components of the system are set up and connected properly.

Connection Cables

Take care of your cables by always holding them by the connectors and avoiding knots and twists when coiling them: This gives the advantage of increasing their lifespan and reliability. Periodically check your cables. A great number of problems (faulty contacts, ground hum, discharges, etc.) are caused entirely by using unsuitable or faulty cables.



For these applications the unit provides 1/4" TRS and XLR connectors to easily interface with most professional audio devices. Follow the configuration examples below for your particular connection.



Block Diagram

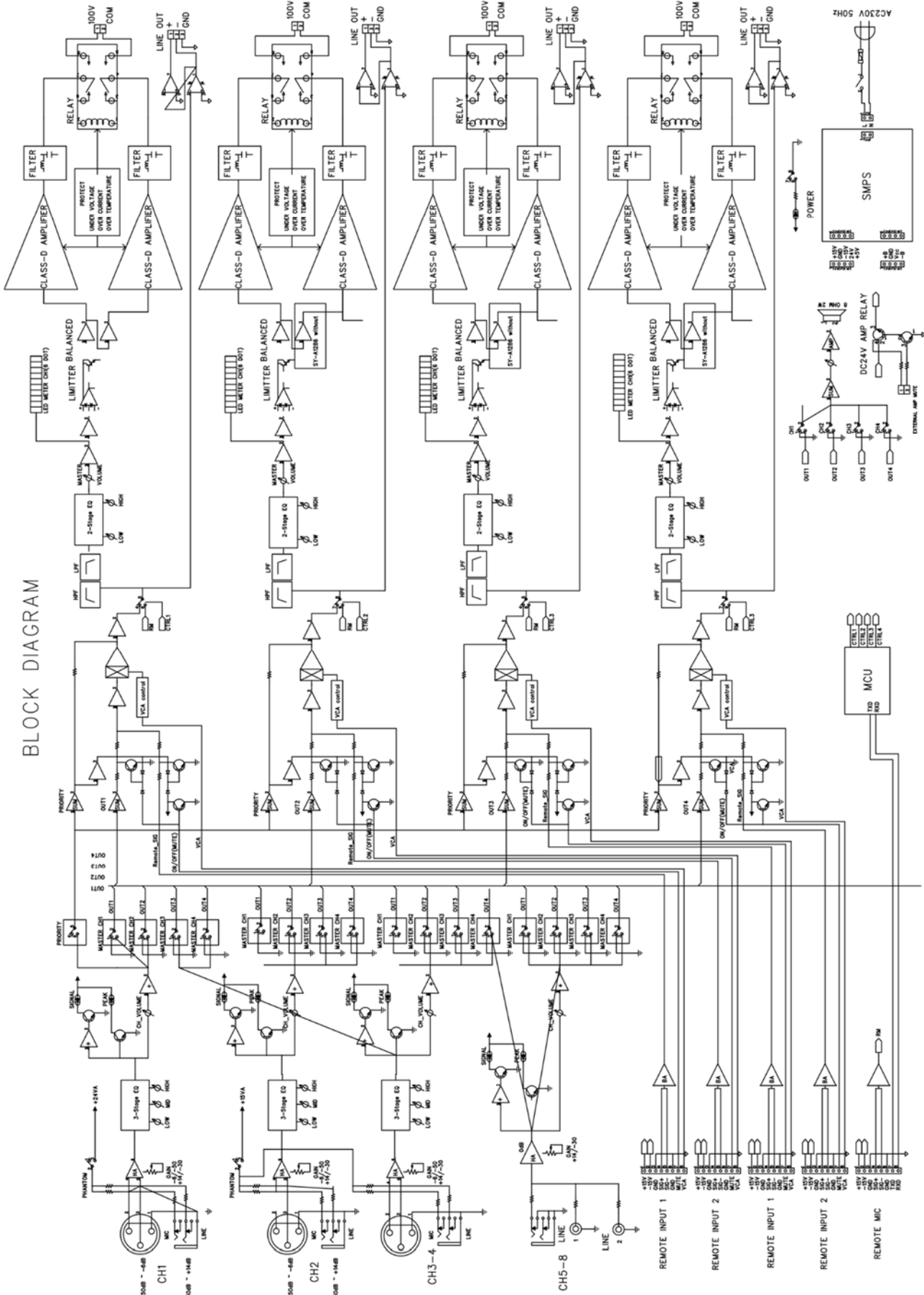


Fig. 04

Maintenance

The MA-8120 Digital Zone Amplifier requires almost no maintenance. However, you should keep the unit clean.

Disconnect the mains power supply, and then wipe the cover with a damp cloth. Do not immerse in liquid. Do not use alcohol or solvents.

Keep connections clean. Disconnect electric power, and then wipe the audio connections with a damp cloth. Make sure connections are thoroughly dry before linking equipment or supplying electric power.

Troubleshooting

MA-8120 Digital Zone Amplifier

This troubleshooting guide is meant to help solve simple problems. If a problem occurs, carry out the steps below in sequence until a solution is found. Once the unit operates properly, do not carry out following steps.

- 01) If the device does not operate properly, unplug the device.
- 02) Check power from the wall, all cables, connections, etc.
- 03) If all of the above appears to be O.K., plug the unit in again.
- 04) If nothing happens after 30 seconds, unplug the device.
- 05) Return the device to your DAP Audio dealer.

Product Specifications

Outputs: Power: 4 x 120W
Zones: 4
Tone control: High: 10kHz, Low 100Hz +/- 15dB
100V/70V: Terminals
Line output: Terminals

Inputs: 4 x Mic/Line: XLR & stereo jack connectors
4 x Line: RCA & mono jack connectors

Features: Phantom power: +48V
Tone control: Low 80 Hz, Mid: 2,5kHz, High 12kHz, +/-15dB
Mic input: -60dB - -16dB / 20kOhm, balanced
Line input: -20dB - +4dB / 20kOhm, balanced
Remote input: 0B/600Ohm, balanced
Frequency response: 20Hz–20kHz
THD: < 0,1%

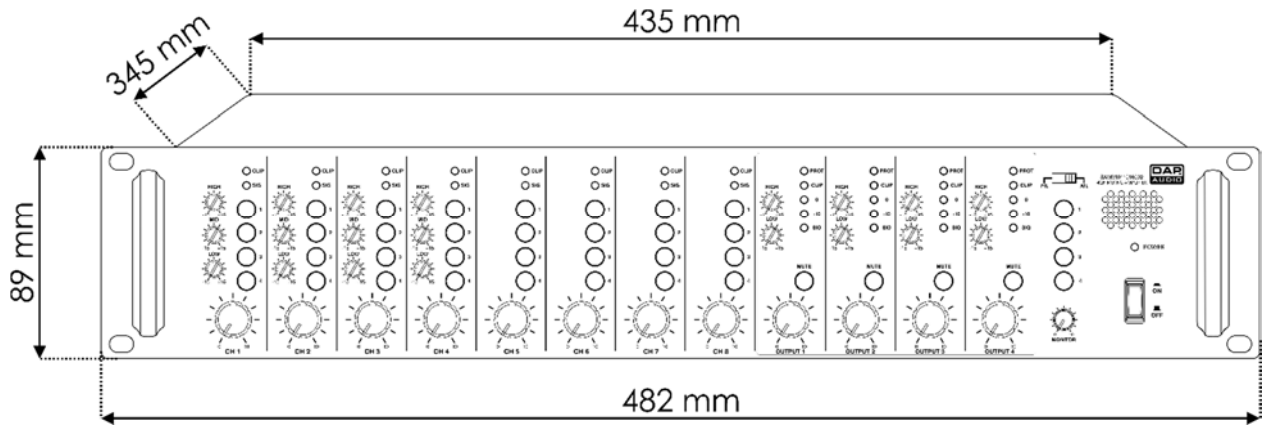
General: Input voltage: 230V AC, 50Hz
Power consumption: 500W
Power connection: IEC
Fuse: T4AL/250V
Dimensions: 482 x 345 x 89 mm (LxWxH)
19 inch x 2HE
Weight: 6 kg

Design and product specifications are subject to change without prior notice.



Website: www.Dap-audio.info
Email: service@highlite.nl

Dimensions





©2017 DAP Audio