



Darkglass Electronics

Your vision, our gear.

OWNER'S MANUAL

The Alpha-Omega 900 takes the best elements of our most successful distortion preamplifier ever, combined with state-of-the-art features to make a monstrous 900-watt amplifier with earth-shattering tone.

While our signature Alpha and Omega drive engines and incredible girth and size to the overdriven signal, the studio-grade VCA compressor adds an extra layer of control, and the ultra-quiet 6-band graphic equalizer can help sculpt the tone in any way necessary, as well as providing a wide variety crystal clear clean sounds.

But that is not everything: the MIDI programmability and impulse response cabinet simulation with up to three different storable virtual cabinets make the AO900 not only one of the most complete amplifiers for the touring musician but, combined with the auxiliary input and headphone output, the ideal tool for silent practicing. OR but also the ideal tool for silent practicing, when combined with the auxiliary input and headphone output.

The Alpha-Omega 900 amplifies the best qualities of one of the most powerful and distinct Darkglass pedals ever made.

DESCRIPTION

The Alpha-Omega 900™ is a 900W amplifier equipped with an all-analog preamplifier, Class D Power Module and a digital impulse based cabinet emulator for DI outputs or headphones. Probably the first thing you will notice from the Alpha-Omega 900 is its unusual control layout: On the right side you'll find the clean section which is the foundation of your sound.

It features Gain and Master volumes and active 6 band graphic EQ. Along with the mandatory Low and Treble controls you will find 250Hz, 500Hz, 1.5KHz, 3KHz sliders. Character is all in the midrange. Having 4 dedicated Mid controls allows you to cover the whole mid range (250Hz to 3kHz) to have total control and flexibility over the amplifier's character.

On the left side, by the input jack you will find the Alpha-Omega Engine which acts as an extra channel. This creation differs greatly from our previous preamplifiers and overdrives: its operational-amplifier topology featuring two distinct distortion circuits (Alpha and Omega), which can be selected or blended using our Mod knob, make the Alpha · Omega the most flexible among our designs.

The Alpha-Omega Engine™ can be engaged via the front panel or via our own digitally controlled™ (jack on rear panel). Besides engaging the Alpha-Omega circuitry you can hold the actuator to Mute the amplifier.

The Intelligent Footswitch is housed in an elegant, laser-engraved unibody chassis and requires a standard ¼" mono cable (not included) for its full operation.

Besides this incredibly versatile preamplifier, we equipped the power module with some unique control over the power output and minimum speaker loads:

The standard mode will deliver 900W RMS at 4Ω/500W at 8Ω. If you select the 2Ω Mode via the rear-panel switch the amplifier will deliver 900W at 2Ω/500W at 4Ω and 350W at 8Ω.

This deceptively simple feature allows for maximum power adaptability: Regardless of the cabinet configuration or power requirements, the Alpha-Omega 900 will deliver accordingly.

FEATURES

FRONT PANEL



INPUT : Use this jack to connect your instrument via a standard ¼" mono cable.

PASSIVE/ACTIVE : Use this push-button switch to change from passive to active mode. If your bass is

active it can have a hotter signal making the amp to distort early (feel free to use if such additional distortion is desired).

DISTORTION: Use this push button to turn on or off the

Alpha-Omega Engine™ to add natural compression, organic harmonic enhancement, and saturation ranging from mild overdrive to high gain bass rage.

The Alpha-Omega Engine operates before the clean section (you can therefore use the 6-Band Active EQ for additional tone shaping).

BITE: Boosts high mids (2.8kHz) for additional presence and definition.

GROWL: Shelving Bass Boost for a fatter tone and increased low end saturation.

COMPRESSION: This knob controls the amount of dynamic compression added to the Alpha-Omega Engine. The make up gain is adjusted automatically. The compression can be turned off or assigned using the Darkglass Suite.

DRIVE : This knob controls the amount of distortion that the Alpha-Omega Engine will deliver. It will change from a soft, warm overdrive to a massive and modern distortion sound.

LEVEL : Use this knob to control Alpha-Omega Engine's output volume.

BLEND : Use this knob to mix between the Clean signal and the Distortion signal (Alpha-Omega Engine).

MOD: Selects or mixes between the two distinct distortion circuits: Alpha is punchy, tight with a lot of definition, whereas Omega is simply brutal and raw.

GAIN : Use this knob to change the volume of the signal before the Active 4 Band EQ. You can set it low for ensuring the cleanest operation possible or set it higher for a more aggressive growl.

BASS : +-12dB at 80Hz. Use this knob to change the low-end content of the signal.

MIDS: +-12dB at 250, 500, 1.5K and 3Khz. This graphic EQ control the mid content of the signal.

TREBLE : +-12dB at 5kHz. Use this knob to change the high content of the signal.

MASTER : Use this knob to control the overall volume of the amplifier.

MUTE : Use this push button to mute the amplifier.

FEATURES

REAR PANEL



SPEAKER OUTPUT : Use this connector to connect the amplifier to your cabinet. This Speakon combo jack allows for either Speakon or ¼" speaker cable operation. The outputs are connected in parallel.

WARNING: Do not use an instrument cable with this jack. Using an instrument cable can damage your amplifier.

MIN - LOAD : Press this switch when using a 2Ω load. You can use this control to lower the output if your 4Ω cabinet is not able handle more than 500W (you can also get 350W with an 8Ω cabinet in this configuration).

PRE AMP OUT : You can use this output to connect the preamp to a different power amp.

POWER AMP IN : You can use this input to connect a different preamp in the power amp. (master volume will be disabled).

GROUND LIFT : Use this control to lift the ground of the DI XLR outputs. If you are experiencing ground noise in your DI signal try changing the setting of this control.

PRE DI OUTPUT: Use this connector to send a balanced copy of your clean signal to the console, mic preamp, interface, etc.

POST DI OUTPUT: Use this connector to connect the Alpha-Omegavv 900 preamplifier to balanced equipment (mic preamp, console, recorder, compressor, audio interface, etc.) via a standard XLR jack. Using this connection you have a signal processed by the preamp of the amp (gain, distortion, EQ, master, etc.).

USB: The usb connector allows you to use the Darkglass Suite to load different cabinet impulses or change different parameters on your amp (midi, compressor, etc.).

HEADPHONE OUTPUT: Connect your Headphones and enjoy the impulse response cabinet emulation.

HEADPHONE VOLUME: Controls the volume of the headphone output.

AUX IN: Use this connector to provide to the Headphone output music from your laptop, cellphone, mp3 player, etc.

CAB SELECT: Switches between 3 different cabinet impulses and bypass this section for a rawer sound.

MIDI: The midi input allows you to control the channels of the amp via a midi standard controller.

FOOTSWITCH : The Intelligent Footswitch is a proprietary digitally controlled device that allows you to remotely engage and disengage the Alpha-Omega Engine.

You can also hold the footswitch to Mute the amplifier. The distortion push button will remain operational with the Intelligent Footswitch plugged in.

- You can use a regular mono instrument cable to connect the amplifier to the footswitch.

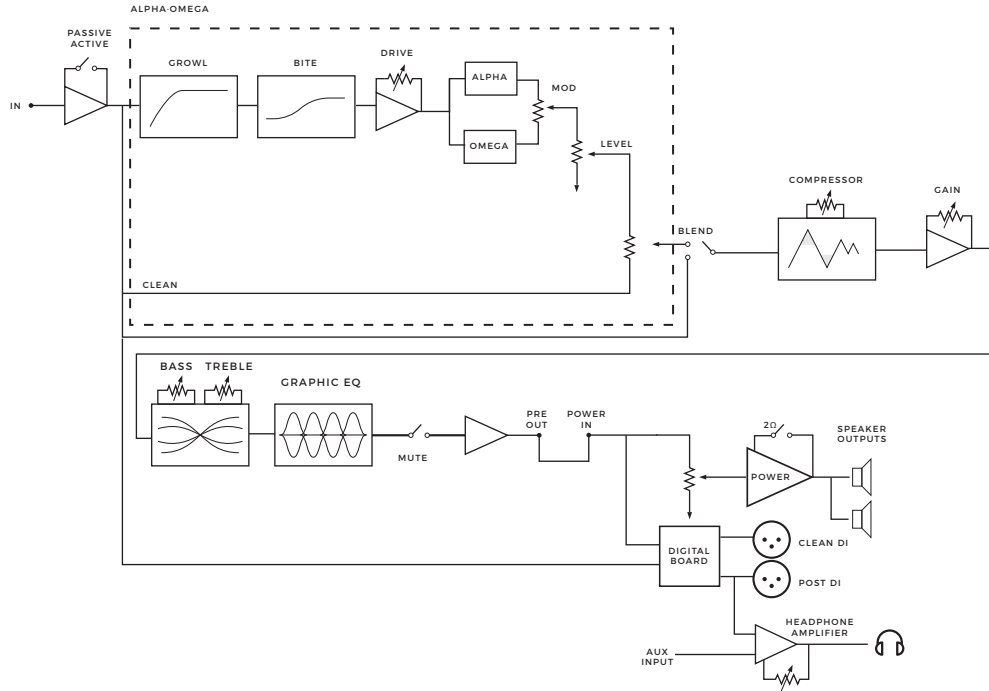
- You must remove the cable from the footswitch jack in the rear panel if you want to control the amp from the front panel.

FAN : The fan forces air inside the amp to help the heatsink system cool the amp. The fan will speed up when the temperature rise to help cooling the system more efficiently while keeping the noise at minimum. Be sure to never cover the vent holes.

AC SOCKET : Use this connector to feed electric power to the amp.

AC POWER ON/OFF : Use this Switch to release the audio energy from your bass.

BLOCK DIAGRAM



WARRANTY AND SPECS

WARRANTY

Please register for your warranty at <http://mypedal.darkglass.com>. The Alpha-Omega 900 is under warranty to the original owner for a period of three years against manufacturing defects in the country where the product was originally purchased.

If you experience a problem with the unit, please contact support@darkglass.com to receive a Return Authorization number or for information on the nearest authorized repair center. A copy of your original receipt must be included with all warranty repairs. You are responsible for all shipping charges. The unit must be shipped to us freight prepaid. We will return the unit freight collect.

Darkglass Electronics OY is not responsible for shipping damage either to or from our service center. Claims must be filed with the carrier. For repairs please contact your local dealer or distributor for your country's specific warranty period and repair procedures.

Alpha-Omega® is a registered trademark of Darkglass Electronics OY.

SPECIFICATIONS

Input Impedance: $1M\Omega$

Minimum Load Impedance: 4Ω (2Ω in 2Ω mode)

Maximum Power Output: 900 Watts RMS @ 4Ω (1kHz full blast 2 min max) 20%THD

450 Watts RMS @ 8Ω

Power Amp Input Impedance: $1M\Omega$

Power Amp Input Level: 1500 mV RMS 1200mV RMS at 2Ω mode

Pre-Amp Output Impedance: $1k\Omega$

Pre-Amp Output Level: 1200 mV

Maximum Power Consumption: approx. 700VA

Forced-air cooled

AC Input Power: 100-250 VAC (Via selector switch on left side panel).

Cycles: 50/60 Hz

Dimensions: 26.7cm l x 7cm h 25.5 w (10.5"l x 2.75" h x 10"w)

Weight: 2.9Kg (6.39Lbs)

Built and Engineered in Helsinki, Finland.

WARNING

- No user serviceable parts inside the amplifier. Do not open the amp.
- Never use the amp at a high moisture environment or near liquids.
- The Alpha-Omega 900 can deliver more than 115 dB of power. Exposure to this level of sound can damage your hearing. Use proper hearing protection if you will be exposed.
- The Alpha-Omega 900 can deliver more than 900 Watts. Be sure that your speaker cabinet is able to deliver that power. You can reduce the output of the amp by selecting the 2Ω mode on the rear panel (by the SpeakON output jack).
- Do not cover the vent holes. The Fan and vent holes are part of the cooling system of the amp. Covering the vent holes can damage the power amp by overheating it.

- Don't use an instrument cable as speaker cable. An instrument cable is not designed to deliver the type of power signals sent from the amplifier to the speaker.

TROUBLESHOOTING

- The button controls do not react: check if the footswitch is connected. If you do not want to use the footswitch, you have to unplug the cable from the rear back of the amp.
- The amp does not turn on: check if the power cable is connected and if you have power on the wall.
- The sound is low: check your speaker cable. Never use instrument cable.
- The sound is distorted or too high: check if the passive active switch match your bass.



Darkglass Electronics

Your vision, our gear.

FOLLOW US

