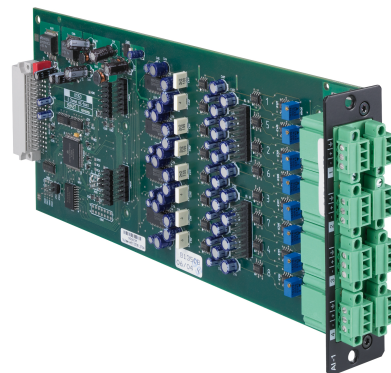


AI-1 Analog Input Module



- 117 dB dynamic range – for best audio performance
- Balanced inputs – high common mode rejection prevents long cables from picking up interference
- Automatic configuration – indication (message) of installation and removal of modules via IRIS-Net software
- EN 54-16: 2008



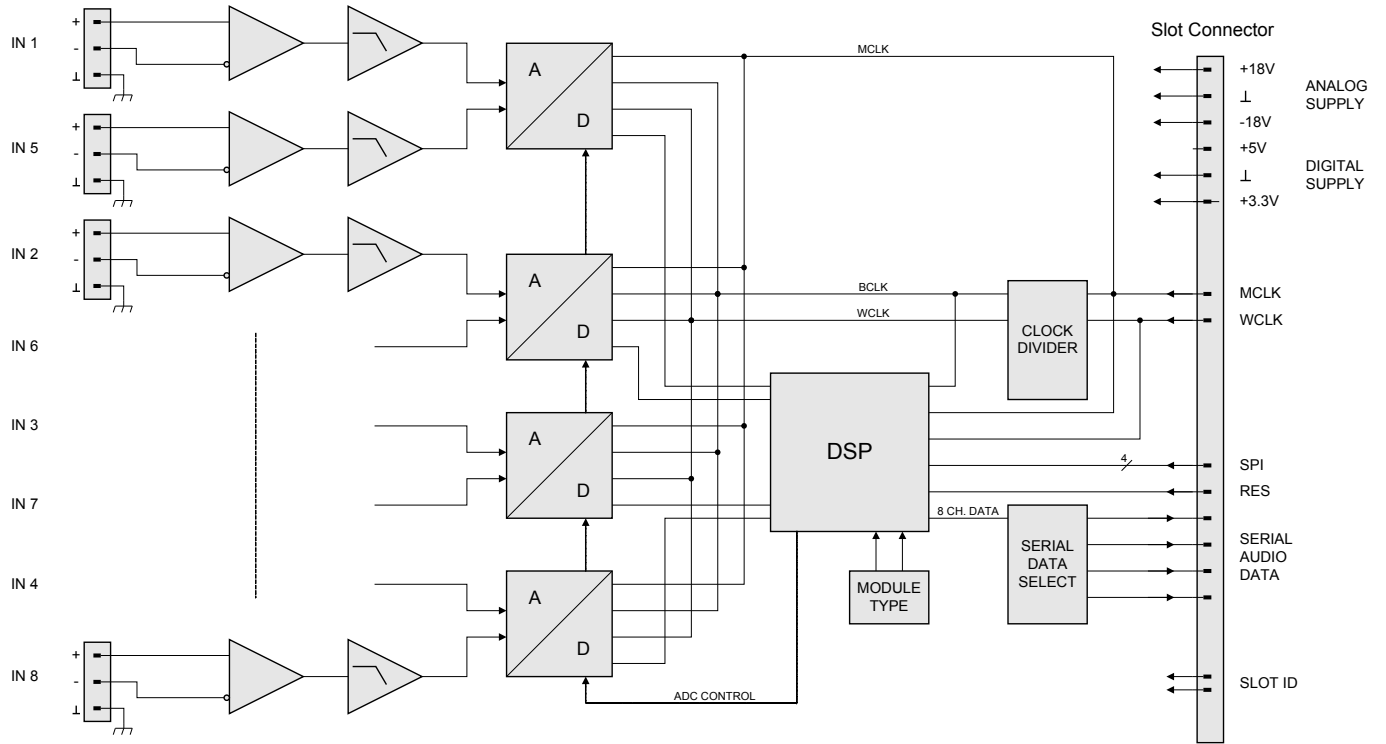
The AI-1 is an eight-channel analog input module for use in an Electro-Voice N8000 system. Audio signals are connected via screw lockable Euroblock connectors. A-to-D conversion is taken care of by high performance linear 24-bit converters. Internally the signals are processed in 48-bit word length.

Technical specifications

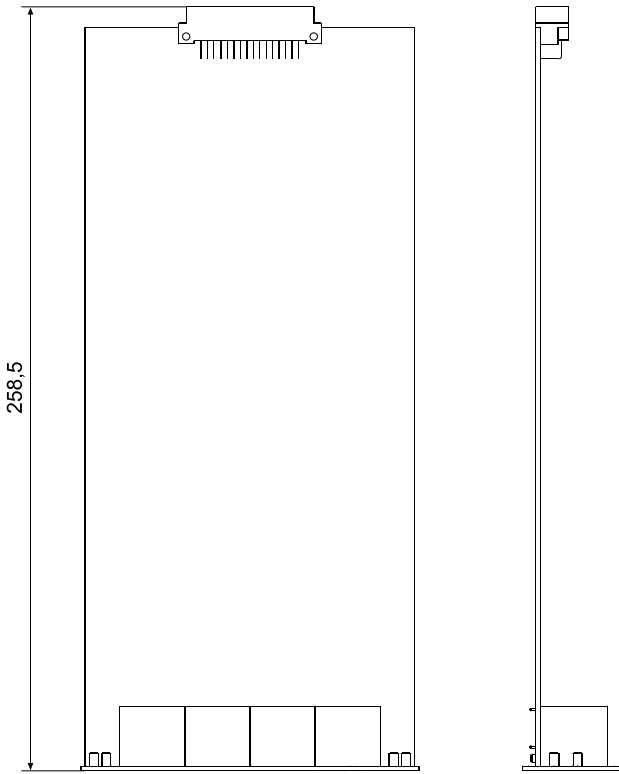
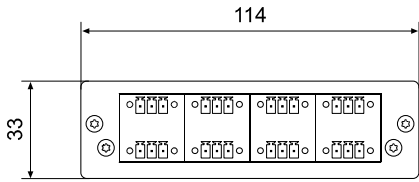
Supply voltage/current	+3.3 V DC, ±0.3 V / 35 mA +18 V DC, ±0.5 V / 360 mA -18 V DC, ±0.5 V / 105 mA
Audio inputs	8 x 3-pole Euroblock connectors, electronically symmetric
Input level (nominal)	+6 dBu / 1.55 V
Input level (max. before clip)	+21 dBu / 8.7 V
Input impedance	20 kΩ
Common mode rejection	> 70 dB
A/D conversion	24 Bit, Sigma-Delta, 128 times oversampling
Frequency response	20–20000 Hz (-0.5 dB)
Signal-to-noise ratio (A-weighted)	117 dB typical
THD+N	< 0.005%

Sample rate	48 kHz
Data format	24 Bit linear A/D conversion, 48 Bit processing
Signal delay	66 Samples = 1.375 ms at 48 kHz
Environmental rating	E1, E2, E3
Operating temperature	0 °C to 40 °C
Product dimensions (Width x Height x Depth)	114 x 33 x 258.5 mm
Net weight	200 g

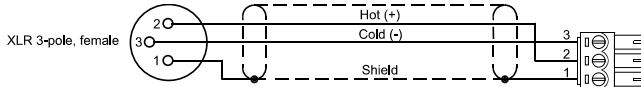
2 | AI-1 Analog Input Module



Circuit diagram



Dimensions



Interconnection cord XLR – to – Euro block for AI-1 audio inputs

Certifications and approvals

EN 54-16: 2008

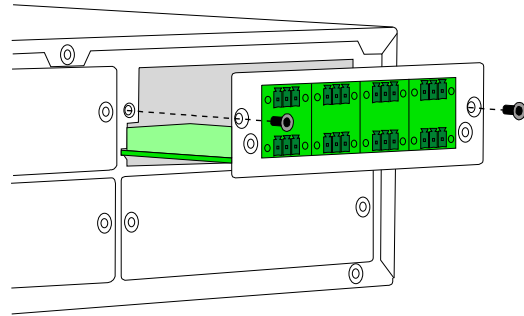
Represented by:

Bosch Sicherheitssysteme GmbH
 Robert-Bosch-Ring 5
 85630 Grasbrunn
 Germany

www.electrovoice.com

Installation/configuration notes

1. Turn off the power of the unit and pull the mains plug
2. Remove the blind on the rear panel (2 screws)
3. Insert the AI-1 module in the desired slot and secure it with 2 screws on the rear panel (see picture)
4. Plug in the mains cord and turn the unit's power on
5. The unit automatically recognizes the AI-1 module. Eight additional analog inputs can now be used.



Parts included

Quantity	Components
1	AI-1 module
8	Euroblock connector 3-pole (Phoenix MC 1,5/ 3-STF-3,81, Nr. 1827716)
2	Screw combination TORX M3x6
1	Data sheet

TORX is a registered trademarks of Acument Intellectual Properties, LLC.

Ordering information

AI-1 Analog Input Module

8 Channel analog line level input card, 100 MIPS DSP onboard

Order number **F.01U.101.212**