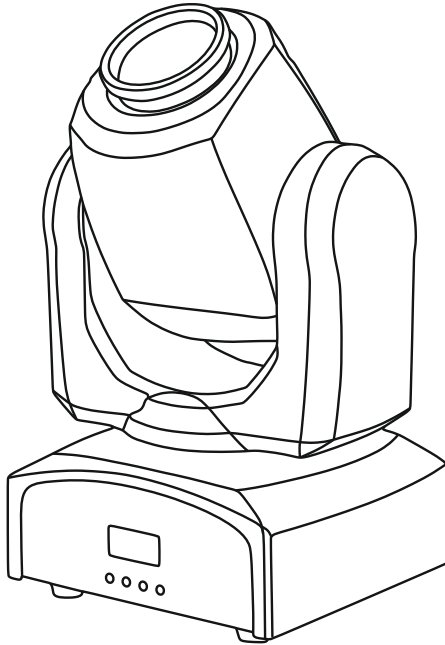




**FLASH**



**LED Moving Head 30W  
SPOT COLOR GOBO  
F7000499**

## Table of Contents

1	Introduction.....	2
2	Safety information .....	2
3	maintenance .....	2
4	Product information .....	2
4.1	Specification.....	2
5	Installation.....	3
6	Connections.....	3
6.1	Connecting DMX signal.....	4
6.2	Voltage specification.....	4
6.3	Connecting power supply .....	4
7	Operation manual.....	4
7.1	Control panel .....	4
7.2	Menu .....	5
7.3	DMX channel list.....	6

# 1 INTRODUCTION

Thank you for purchasing LED Moving Head 30W SPOT COLOR GOBO. For safety reasons and to ensure the trouble-free operation, carefully read the instructions.

# 2 SAFETY INFORMATION

1. Installation should be done by qualified personnel in order to minimize the risk of accidental electric shock
2. Disconnect the power supply before installation.
3. Before connecting the unit to the mains, make sure it is not damaged mechanically. If you notice any signs of damage you should contact your dealer immediately. Do not connect the device to the mains.
4. Do not use the device in high humidity conditions and at temperatures above 40° C
5. The device must be installed on stable structures.

# 3 MAINTENANCE

1. For good ventilation regularly clean the fan and the fan cover
2. In order to prevent electronic components overheating do not turn on the device for 20 minutes after turning off.

# 4 PRODUCT INFORMATION

## 4.1 Specification

- Power supply voltage: 110 - 240V
- Voltage frequency: 50/60Hz
- Diode type: Standard LED
- Number of diodes: 1
- Diode power: 30W
- Display: LED - 4 characters
- Color: Color wheel - 7 colors + white
- Dimming: Linear: 0 - 100%
- GOBO wheel: 7 patterns + open
- PAN range: 630°
- TILT range: 180°
- Number of DMX channels: 4 / 12
- DMX standard: DMX 512
- Control interface: 4 buttons
- AC IN: IEC 320 - C14
- DMX IN: XLR - 3 pin
- DMX OUT: XLR - 3 pin
- Cooling: Active
- Height [cm]: 32,5
- Width [cm]: 25
- Depth [cm]: 27
- Weight [kg]: 2,5

## 5 INSTALLATION

After removing the packaging, check if the device was not damaged during transport. Before connecting to the mains, make sure that the device is securely mounted. The manufacturer is not responsible for damage caused by unstable mounting.

Ensure proper connection to the mains and proper grounding. Make sure that the electrical parameters are consistent with device requirements. All activities, including connecting the device to the mains must be performed by qualified personnel.

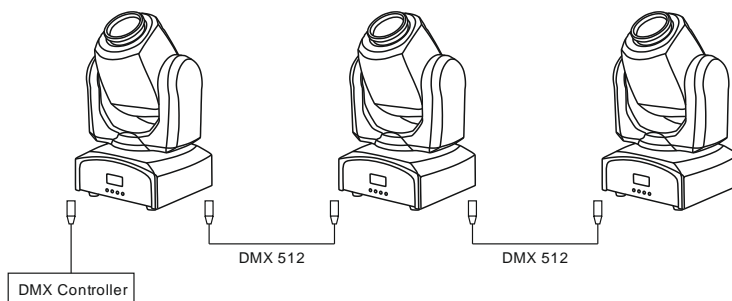
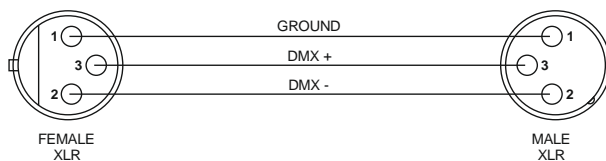
## 6 CONNECTIONS

The device is equipped with the following interfaces:

1. DMX (in/out): XLR 3-pin socket
2. Power (in): IEC - C14 socket

## 6.1 Connecting DMX signal

The connection is performed using cable with XLR-female -> XLR-Male plugs.



## 6.2 Voltage specification

Input Voltage	Total Power	Frequency
110-240V	75W	50/60Hz

## 6.3 Connecting power supply

The connection is performed using power cable with IEC – C13 connector (included).

The device must be operated by qualified personnel. Make sure that the power grid supply parameters are consistent with device parameters and limitations are not exceeded.

**CAUTION!** In the case of cable damage do not attempt to repair. Replacement or repair can be made only on the manufacturer or by a person with appropriate permissions.

# 7 OPERATION MANUAL

## 7.1 Control panel

The control panel is equipped with display and 4 control buttons with the following functions:

1. MENU – choose option
2. UP – edit parameter
3. DOWN – edit parameter
4. ENTER – confirm changes

## 7.2 Menu

Menu diagram:

<b>Addr</b>	<b>A001-A512</b>	512 address code
<b>CHnd</b>	<b>11CH</b>	11 channel mode
	<b>9CH</b>	9 channel mode
<b>SLnd</b>	<b>MAST</b>	Master mode
	<b>SL 1</b>	DMX mode
	<b>SL 2</b>	Slave mode
<b>SHnd</b>	<b>SH 0</b>	Effect0
	<b>SH 1</b>	Effect1
	<b>SH 2</b>	Effect2
	<b>SH 3</b>	Effect3
<b>Soud</b>	<b>on</b>	Sound control on
	<b>oFF</b>	Sound control off
<b>SEnS</b>	<b>0-99</b>	Sound control sensitivity
<b>bLAnd</b>	<b>bLAc</b>	No 512 signal, signal off
	<b>Auto</b>	No 512 signal, Auto mode
	<b>Soun</b>	No 512 signal, Sound mode
	<b>HoLd</b>	No 512 signal, Auto mode as last 512 state
<b>LEd</b>	<b>OFF</b>	Display screen off after 5 second
	<b>ON</b>	Display screen on
<b>dISP</b>	<b>no</b>	Display downward
	<b>YES</b>	Display upward
<b>rPAN</b>	<b>no</b>	X motor move clockwise
	<b>YES</b>	X motor move anti-clockwise
<b>rTiL</b>	<b>no</b>	Y motor move clockwise
	<b>YES</b>	Y motor move anti-clockwise
<b>REST</b>	<b>YES</b>	Reset

## 7.3 DMX channel list

9CH mode		
Chanel	Function	Effect
CH 1	Pan	0-255: 0-630°
CH 2	Tilt	0-255: 0-180°
CH 3	Color change	0-139: Color change 140-255: Rainbow effect from slow to fast
CH 4	Gobo change	0-63: Gobo 64-127: Gobo shake 128-255: Gobo auto run from slow to fast
CH 5	Strobe	0-255: 0-10s
CH 6	Dimmer	0-255: 0-100%
CH 7	Pan/Tilt speed	0-255
CH 8	Auto mode	0-59: No function 60-84: Auto mode 1 58-109: Auto mode 2 110-134: Auto mode 3 135-159: Auto mode 4 160-184: Sound mode 1 158-209: Sound mode 2 210-234: Sound mode 3
CH 9	Reset	0-249: No function 250-255: Reset after 5s

11CH mode		
Chanel	Function	Effect
CH 1	Pan	0-255: 0-630°
CH 2	Pan fine	0-255
CH 3	Tilt	0-255: 0-180°
CH 4	Tilt fine	0-255
CH 5	Color change	0-139: Color change 140-255: Rainbow effect from slow to fast
CH 6	Gobo change	0-63: Gobo 64-127: Gobo shake 128-255: Gobo auto run from slow to fast
CH 7	Strobe	0-255: 0-10s
CH 8	Dimmer	0-255: 0-100%
CH 9	Pan/Tilt speed	0-255
CH 10	Auto mode	0-59: No function 60-84: Auto mode 1 58-109: Auto mode 2 110-134: Auto mode 3 135-159: Auto mode 4 160-184: Sound mode 1 158-209: Sound mode 2 210-234: Sound mode 3
CH 11	Reset	0-249: No function 250-255: Reset after 5s