

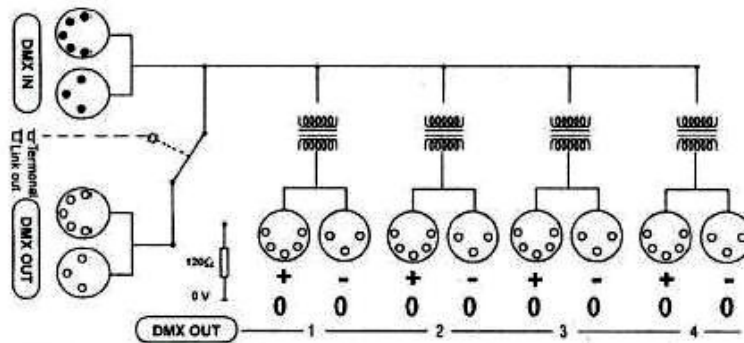
4CH DMX DISTRIBUTOR

User Manual

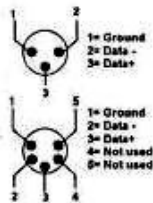


Congratulations on purchasing your New DMX distributor. The unit has one input and four output absolutely electric isolation between input and output or between output and output. Two type of DMX connector (3pin & 5pin) for each individual channel, each DMX output features a independent driver. DATA+ & DATA- indicator. There is a DMX switch which is incorporated allowing to isolate from the malfunction caused by DMX input on the case. We strongly recommend that you take time to read this manual fully before you attempt to use the DMX distributor.

- Technical specification
 Power input: AC230V 50Hz
 Fuse (internal): F500mA 250V; 5x 20mm (5pcs)
 Dimension: 277x 172x 72mm
 Weight: 2,6kg
- Operating instruction and connection



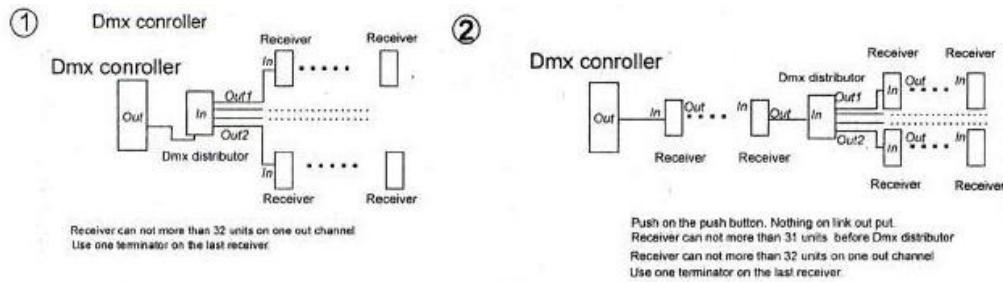
DMX input : from the DMX transmitting device
 DMX output : connect to the DMX receiving device



Connector pin designaions shall be as follows:
 pin 1: signal common (shield)
 pin 2: dimmer drive complement (data 1-)
 pin 3: dimmer drive true (data 1+)
 pin 4: option second data link complement (data 2-)(not used)
 pin 5: option second data link complement (data 2+)(not used)



Connection diagram:



Caution:

This apparatus must be earthed.

Don't apply power source before completely installation.

Always disconnect from mains before replacing the fuse.

To reduce risk of fire or electrical shock do not expose to rain or moisture.

Do not try to repair it when the circuit is out of order. Send it back your supplier for repairing.