



GLD-AR84 Expander AudioRack

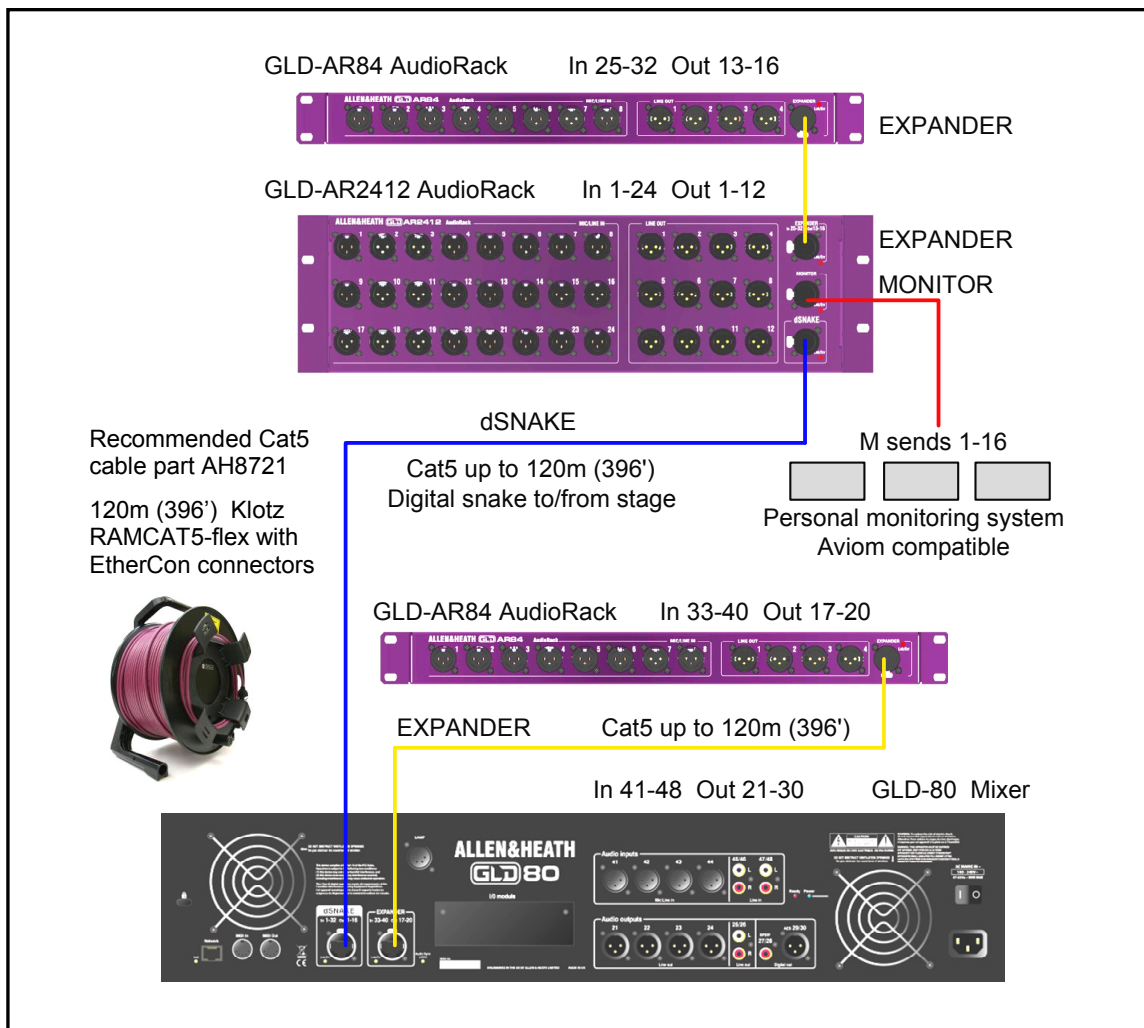
The **GLD-AR84** is the expander audio interface rack for the Allen & Heath GLD digital mixing system. It provides 8 remote controlled mic/line preamps and 4 XLR line outputs. Up to two AR84 AudioRacks can be added to a GLD system. The AR84 can connect to the GLD-AR2412 main AudioRack to expand the number of inputs at the rack to 32 and the number of outputs to 16. It can also connect directly to the GLD-80 mixer to add a further 8 inputs and 4 outputs at the mix position or at a different location using a longer cable.

The AR2412 and AR84 are simply audio interface racks. They cannot be used alone. They must connect to the GLD-80 mixer which is where the audio is processed. The diagram below shows the fully expanded GLD system.

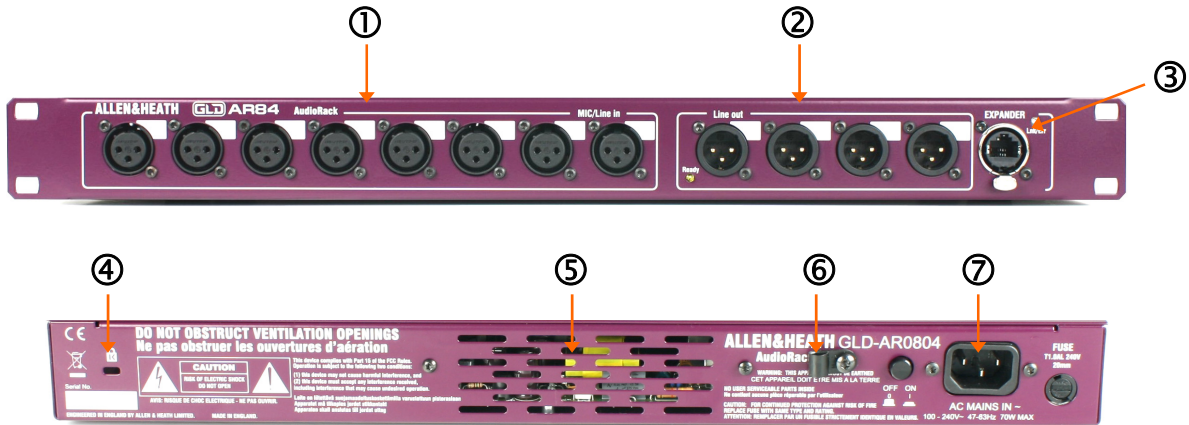
The AR84 connects to the EXPANDER port at the AR2412 or the GLD-80 mixer using a single Cat5 cable up to 120 meters (396 feet).

- The AR84 is not compatible with Allen & Heath iLive Series components or ACE connection.

Refer to the GLD-80 User Guide AP8561 for instructions on connecting and using the AR84 with the GLD system. Refer to the Allen & Heath web site for more information on GLD and suitable Cat5 cable.



GLD-AR84 Panel Layout



① **Input sockets** 8 balanced XLR inputs for microphone and line level sources. The preamps are built into the AR84 rack and their Gain, Pad and 48V phantom power is remote controlled from the GLD console via the EXPANDER link. The output of the analogue preamps are converted to digital format and transported via a Cat5 cable to be processed and mixed at the GLD-80 mixer.

The sockets are not numbered. This is because the number depends on where the AR84 is plugged into the GLD system. Write-on blocks are provided for you to label the sockets.

② **Output sockets** 4 balanced XLR outputs operating at nominal +4dBu line level. Any GLD signal can be patched to any socket using the console I/O screen. The default Template Shows provide a logical mapping of these sockets to get you started.

The sockets are not numbered. This is because the number depends on where the AR84 is plugged into the GLD system. Write-on blocks are provided for you to label the sockets.

The socket identification is shown in the diagram below:

③ **EXPANDER port** Cat5 cable link to connect the AR84 expander to the EXPANDER port on the AR2412 AudioRack or GLD-80 Mixer.

- Note that the EXPANDER link is not compatible with the iLive ACE connection.

④ **Kensington security slot** To attach a 'Kensington lock' standard anti-theft cable and lock if required.

⑤ **Fan** A low noise fan inside the rack ensures air movement to keep the circuits and internal components within operating temperature range.

- Ensure good ventilation at the back of the rack. Read the safety instructions printed on the panel and the Safety Sheet packed with the unit.

⑥ **Mains cable clip** You can secure the cable in place using the plastic P-clip. Use a T20 Torx screwdriver to refit the screw.

⑦ **Mains power input** IEC connector, fuse and power ON/OFF push switch for the built-in universal voltage power supply unit. This accepts worldwide voltages from 100 to 240V AC 50/60Hz. Check that you have received the correct mains lead for your territory.

Socket numbering

AR84 plugged into the AR2412 main AudioRack:

Inputs 25-32 Outputs 13-16



AR84 plugged into the GLD-80 Mixer:

Inputs 33-40 Outputs 17-20

