

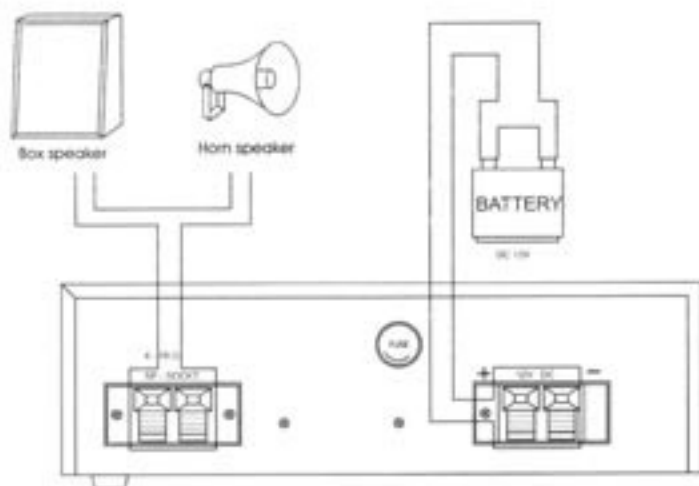
INSTRUCTION MANUAL

Name of Functions

1. Power switch
2. SIREN SW
3. MIC-1 volume control
4. MIC-2 volume control
5. TAPE/AUX volume control
6. Play polit lamp
7. Cassette holder
8. MIC-1 phone jack
9. MIC-2 phone jack
10. AUX phone jack



Typical Connection:

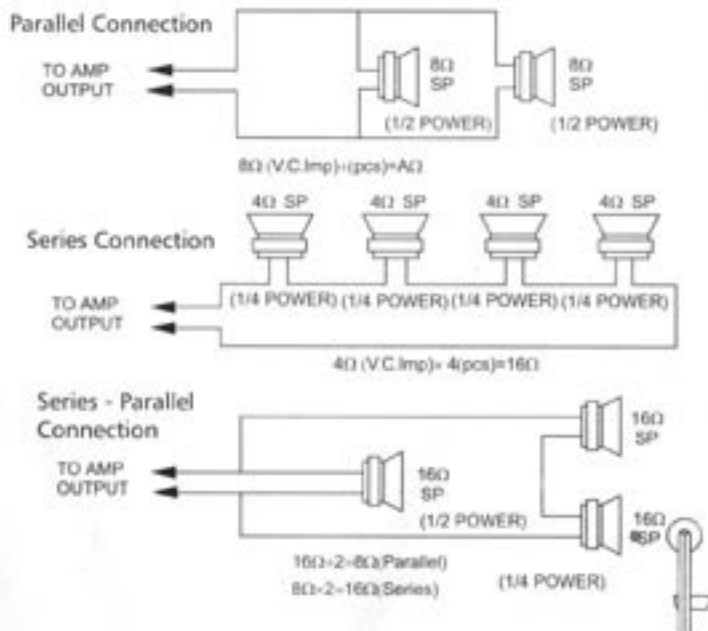


CAUTION FOR USING POWER LINE

- You shall hold the plug firmly to avoid the pull-out of power line and risk occurring when you pull the power line out from AC outlet.
- The plug of power line for this unit should be pulled out from power outlet to cut down the power supply, when this unit isn't used for a long period.
- Don't force any matter on the power line of this system to avoid the damaging power line and don't insert the knotted power line into unit.

LOAD SPEAKER CONNECTION

This connection is quite important, users should pay great attention to match the amplifier output impedance to the loud speaker (s) or loud speaker group to be connected (load), in order to obtain the best result. Some example of most popular connection are as follows.



Specifications

TYPE: Mixer Power Amplifier

POWER OUTPUT: 45 watts, less than 3% THD. at 1 kHz

FREQUENCY RESPONSE: 150Hz-15kHz±3dB

INPUTS: MIC-1, MIC-2 (-42dB) 10k ohms/50k ohms.

AUX (-20dB) 10k ohms/50k ohms

POWER SUPPLY: AC (110V OR 220V), DC 12V.

DIMENSIONS: 245×220×78mm

WEIGHT: 3.4kgs.

Siren: out 11V

This broadcast system, main unit, should be placed on a solid

surface with a minimum distance of 1 m from the back or side plate to the wall and rot in the following environments of cases:

- Moist place;
- Under direct radiation of sunlight or other strong heat radiation;
- No air ventilation;

HANDLING THIS UNIT

Check if the power supply is being shut down, the power line is pulled out from outlet and other lines connecting this unit are also disconnected.

DON'T DISASSEMBLE THIS UNIT

Don't disassemble and repair the unit by yourself, otherwise it may induce electric shock or fires. If you can't remedy any occurred trouble according to the methods described in the Last of this manual, you must call a qualified technician or consult with our company, A forced using it may cause electric shock or fires.

CLEANING

When the unit needs a cleaning, you can blow off dust from the unit with a blower or clean with rag etc. Don't use solvents such as ben. zol, thinner, alcohol or other fluids with very strong volatility and flammability for cleaning the unit body.