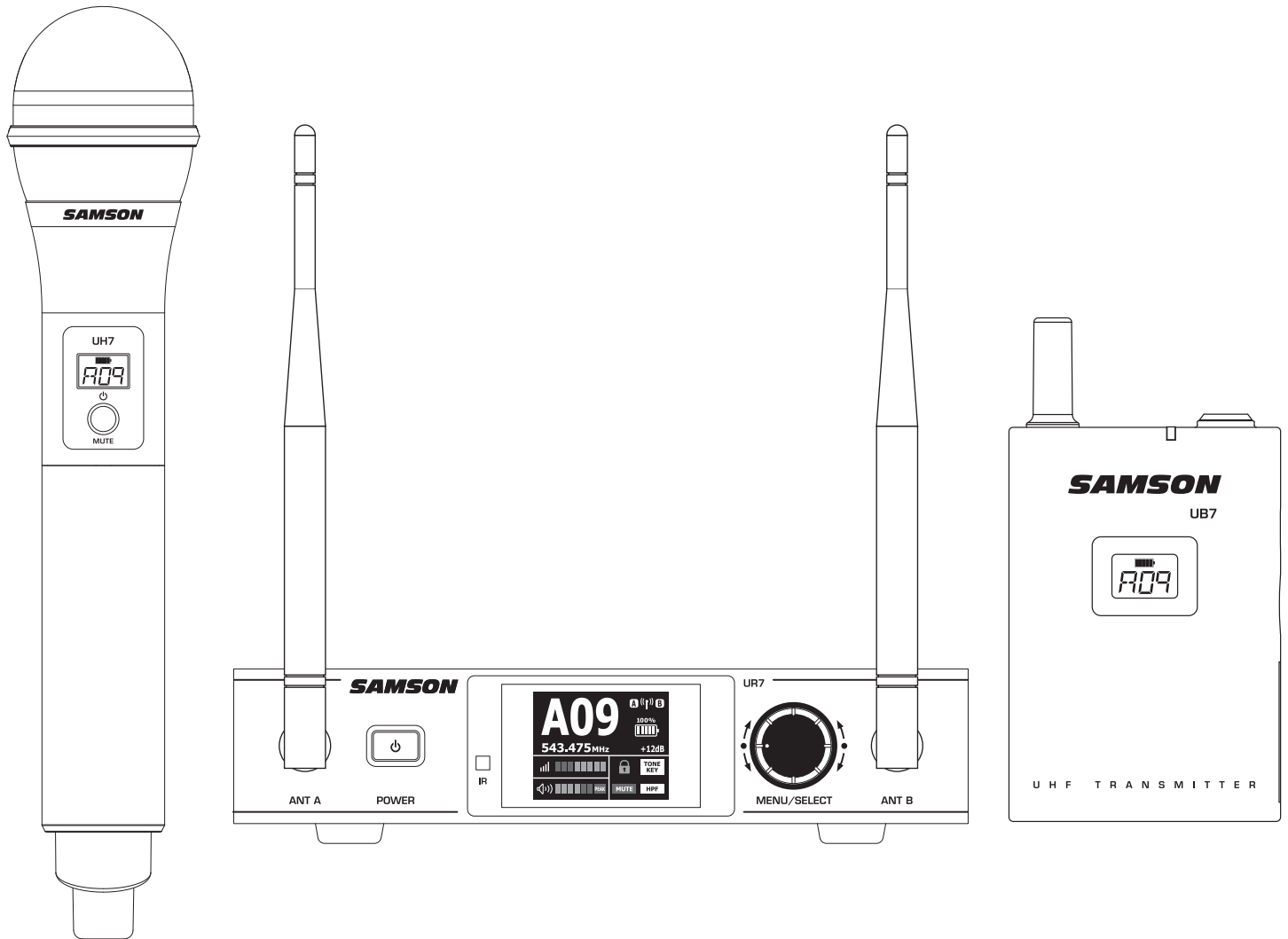


SYNTHSEVEN

Professional UHF Wireless System



OWNER'S MANUAL

SAMSON®

FCC Consumer Alert for Wireless Microphones

Most users do not need a license to operate this wireless microphone system. Nevertheless, operating this microphone system without a license is subject to certain restrictions: the system may not cause harmful interference; it must operate at a low power level (not in excess of 50 milliwatts); and it has no protection from interference received from any other device. Purchasers should also be aware that the FCC is currently evaluating use of wireless microphone systems, and these rules are subject to change. For more information, call the FCC at 1-888-CALL-FCC (TTY: 1-888-TELL-FCC) or visit the FCC's wireless microphone website at www.fcc.gov/cgb/wirelessmicrophones.

Copyright 2015, Samson Technologies Corp.

v2

Samson Technologies

45 Gilpin Avenue

Hauppauge, New York 11788-8816

Phone: 1-800-3-SAMSON (1-800-372-6766)

Fax: 631-784-2201

www.samsontech.com

Important Safety Information

1. Read these instructions.
2. Keep these instructions.
3. Heed all warnings.
4. Follow all instructions.
5. Do not use this apparatus near water.
6. Clean only with dry cloth.
7. Do not block any ventilation openings. Install in accordance with the manufacturer's instructions.
8. Do not install near any heat sources such as radiators, heat registers, stoves, or other apparatus (including amplifiers) that produce heat.
9. Do not defeat the safety purpose of the polarized or grounding type plug. A polarized plug has two blades with one wider than the other. A grounding type plug has two blades and a third grounding prong. The wide blade or the third prong are provided for your safety. If the provided plug does not fit into your outlet, consult an electrician for replacement of the obsolete outlet.
10. Protect the power cord from being walked on or pinched particularly at the plugs, convenience receptacles, and at the point where they exit from the apparatus.
11. Only use attachments/accessories specified by the manufacturer.
12. Use only with the cart, stand, tripod, bracket, or table specified by the manufacturer, or sold with the apparatus. When a cart is used, use caution when moving the cart/apparatus combination to avoid injury from tip-over.
13. Unplug the apparatus during lightening storms, or when unused for long periods of time.
14. Refer all servicing to qualified personnel. Service is required when the apparatus has been damaged in any way, such as power supply cord or plug is damaged, liquid has been spilled or objects have fallen into the apparatus has been exposed to rain or moisture, does not operate normally, or has been dropped.
15. This appliance shall not be exposed to dripping or splashing water and that no object filled with liquid such as vases shall be placed on the apparatus.
16. Caution-to prevent electrical shock, match wide blade plug wide slot fully insert.
17. Please keep a good ventilation environment around the entire unit.
18. The direct plug-in adapter is used as disconnect device, the disconnect device shall remain readily operable.
19. Batteries (battery pack or batteries installed) shall not be exposed to excessive heat such as sunshine, fire or the like.



If you want to dispose this product, do not mix it with general household waste. There is a separate collection system for used electronic products in accordance with legislation that requires proper treatment, recovery and recycling.

Private household in the 28 member states of the EU, in Switzerland and Norway may return their used electronic products free of charge to designated collection facilities or to a retailer (if you purchase a similar new one).

For Countries not mentioned above, please contact your local authorities for a correct method of disposal. By doing so you will ensure that your disposed product undergoes the necessary treatment, recovery and recycling and thus prevent potential negative effects on the environment and human health.

Important Safety Information

FCC and Industry Canada Rules and Regulations

Samson wireless receivers are certified under FCC Rules part 15 and transmitters are certified under FCC Rules part 74.

Licensing of Samson equipment is the user's responsibility and licensability depends on the user's classification, application and frequency selected.

This device complies with RSS-210 of Industry & Science Canada. Operation is subject to the following two conditions:

- (1) this device may not cause harmful interference and
- (2) this device must accept any interference received, including interference that may cause undesired operation.

NOTE: This equipment has been tested and found to comply with the limits for a Class B digital device, pursuant to Part 15 of the FCC Rules. These limits are designed to provide reasonable protection against harmful interference in a residential installation. This equipment generates, uses and can radiate radio frequency energy and, if not installed and used in accordance with the instructions, may cause harmful interference to radio communications. However, there is no guarantee that interference will not occur in a particular installation. If this equipment does cause harmful interference to radio or television reception, which can be determined by turning the equipment off and on, the user is encouraged to try to correct the interference by one or more of the following measures:

- Reorient or relocate the receiving antenna.
- Increase the separation between the equipment and receiver.
- Connect the equipment into an outlet on a circuit different from that to which the receiver is connected.
- Consult the dealer or an experienced Radio/TV technician for help.

WARNING: Changes or modifications not expressly approved by the party responsible for compliance could void the user's authority to operate the equipment.

R&TTE

This equipment is intended for use in wireless microphone applications.

Equipment is intended for sale in: AT, BE, CH, CY, CZ*, DK, EE, FI*, FR*, DE*, GR*, HU, IE, IS, IT, LV, LT*, LU, MT*, NL, NO*, PL* PT, RO, SK, SI, ES, SE, UK

*Subject to license. Please contact your national frequency authority for information on available legal use in your area. Any changes or modifications not expressly approved by Samson Technologies Corp. could void your authority to operate the equipment.

CE Declaration

We, Samson Technologies Corporation, located at 45 Gilpin Ave, Hauppauge, NY 11788 USA declare under our own responsibility that these devices are in conformity with the essential requirements of R&TTE Directive 1999/5/EC when installed in accordance with the installation instructions contained in the product documentation. To the effect that the standards and/or technical specifications referenced below have been applied as indicated:

EN60065:2002+A1:2006+A11:2008+A2:2010+A12:2011
EN 301 489-1 V1.9.2:2011
EN301 489-9 V1.4.1:2007
EN 300 422-1 V1.4.2:2011
EN300 422-2 V1.3.1:2011

Year of CE Marking (Low Voltage Directive): 2014

The products shall contain the CE marking and shall be accompanied by the identification number of the Notified Body **0700**. This equipment will also carry the Class 2 equipment identifier.

CE 0700 

Introduction

Congratulations on purchasing the Samson Synth 7 wireless system. The Synth 7 is the ideal solution for the active performer who needs a reliable, great sounding system for wireless applications.

Synth 7 system features all-metal components with easy-to-read displays and advanced menu functions for seamless operation. The Synth 7 comes in five configurations. The vocal handheld system includes the UH7 handheld transmitter with a Q8 dynamic microphone capsule. The UB7 belt pack system can be configured with either the SE10 earset microphone, LM10 lavalier microphone, QV vocal headset microphone or a ¼" instrument cable. For travel or permanent installation, the Synth 7 includes a standard 19" rackmount kit.

In these pages, you'll find a detailed description of the features of the Synth 7 wireless system, step-by-step instructions for its setup and use, as well as full specifications. If your wireless system was purchased in the United States, you'll also find a warranty card enclosed—don't forget to fill it out and mail it in so that you can receive online technical support and so that we can send you updated information about this and other Samson products in the future. Also, be sure to check out our website (www.samsontech.com) for complete information about our full product line.

We recommend you keep the following records for reference, as well as a copy of your sales receipt.

Receiver Serial number: _____

Transmitter Serial number: _____

Date of purchase: _____

Dealer name: _____

With proper care and maintenance, your Synth 7 wireless system will operate trouble-free for many years. Should your wireless system ever require servicing, a Return Authorization (RA) number must be obtained before shipping your unit to Samson. Without this number, the unit will not be accepted. Please call Samson at 1-800-3SAMSON (1-800-372-6766) for an RA number prior to shipping your unit. Please retain the original packing materials and, if possible, return the unit in its original carton. If your Synth 7 system was purchased outside of the United States, contact your local distributor for warranty details and service information.

Features

- Professional true-diversity UHF wireless systems
- Scan Mode and on screen spectrum analyzer finds optimal channels for interference-free performance
- Pilot Tone Squelch/Auto Mute function eliminate RF noise when the transmitter is muted
- Increased dynamic range to handle the hottest inputs
- Full-color receiver LCD
- Transmitter LCD indicates battery level and channel number
- Transmitter offers up to 15 hours of continuous operation on two AA batteries
- 300-foot operating range
- All-metal, rack mountable components ensure roadworthy durability

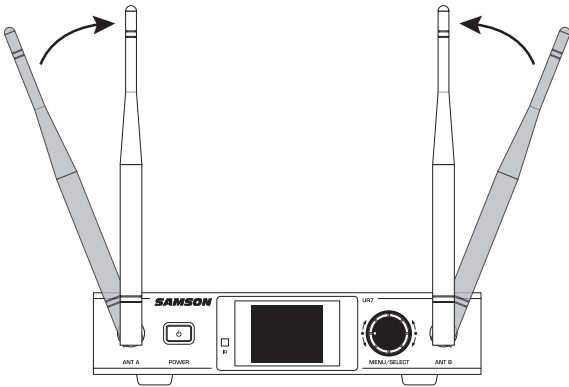
Quick Start

In order for your wireless system to work correctly, both the receiver and transmitter must be set to the same channel.

Set up the receiver:

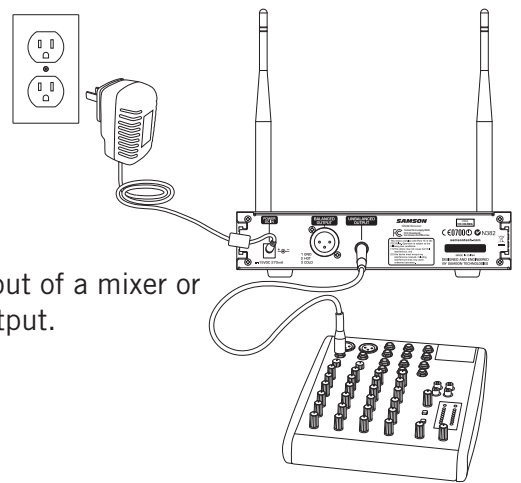
Physically place the UR7 receiver where it will be used. The general rule of thumb is to maintain “line of sight” between the receiver and transmitter so that the person using or wearing the transmitter can see the receiver.

Connect and position the antennas vertically.



Connect the included power adapter to an outlet.

Connect the UR7 receiver output jack to the microphone or line level input of a mixer or amplifier using the balanced XLR output or unbalanced ¼” line level output.



Setting the receiver channel - When using a single system, set the receiver by using the Frequency Select menu. When using multiple Synth 7 systems, use the Group & Channel menu so that each system should be assigned to the same group in order to maximize the number of compatible channels

Single System Setup

Press and hold the power button to turn on the UR7 receiver. The receiver display will light.

Press the Menu/Select button to enter the Main Menu. Rotate the Menu/Select encoder to highlight **FREQUENCY SELECT** and press the MENU/SELECT button.

Scroll down to highlight **SCAN SPECTRUM** and press the MENU/SELECT button. The receiver will scan the wireless spectrum and choose an available channel.



Quick Start

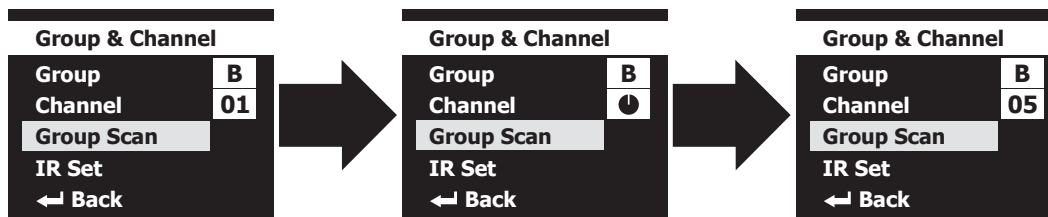
Multiple System Setup

Press and hold the power button to turn on the UR7 receiver.

Press the Menu/Select button to enter the Main Menu. Rotate the Menu/Select encoder to highlight GROUP & CHANNEL and press the MENU/SELECT button to enter the menu.

Set each receiver to the same Group. Select GROUP and press the MENU/SELECT button. The Group letter will start to flash. Rotate the MENU/SELECT encoder until you have selected the desired group and press the MENU/SELECT button to set the receiver Group.

Select GROUP SCAN and press the MENU/SELECT button. The UR7 receiver will scan the selected Group for an available channel.



Set the transmitter:

Install two fresh AA batteries into the UB7 belt pack or UH7 handheld transmitter. Press and hold the power button to turn on the transmitter.

On the UR7 receiver scroll down to IR SET and press the MENU/SELECT button.

Position the transmitter about 6-12" (15-30 cm) from the front of the UR7 receiver with the transmitter's IR window facing the IR transmitter on the front panel of the receiver. The UH7 transmitter IR window is inside the battery compartment. The IR windows on the UB7 is next to the LCD display.

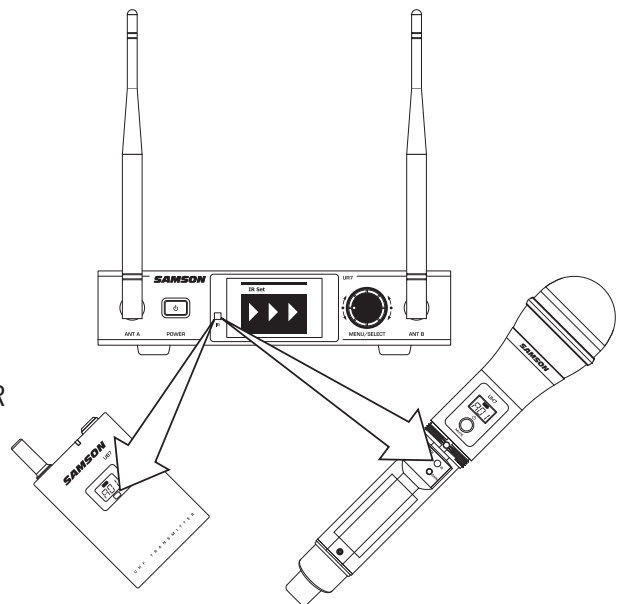
When the transmission is complete, select BACK or press the power button on the UR7 receiver to return to the main performance display.

Once a transmitter and receiver pair is set, leave the transmitter powered on and locked before scanning the group for the next available channel. This will prevent the receiver from selecting a channel that will cause interference.

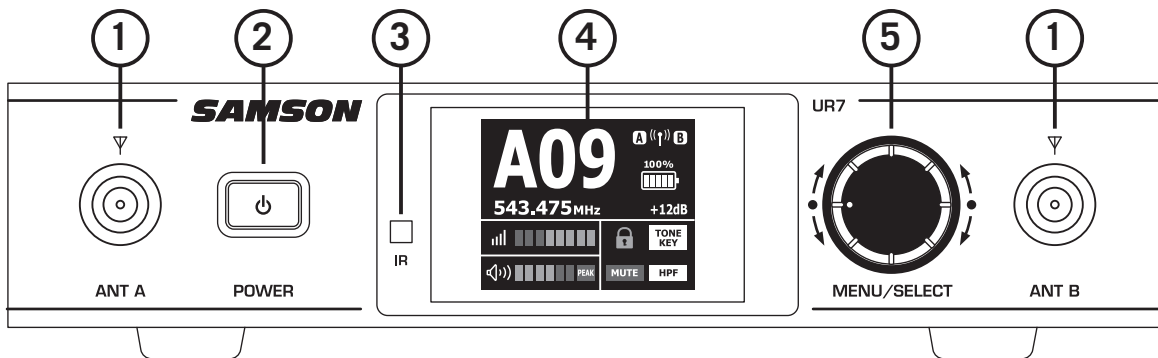
Set the performance level

Speak or sing into the microphone, or if you are using the transmitter with a connected instrument, play the instrument at normal performance level. Slowly raise the volume of your amplifier or mixer until the desired level is reached.

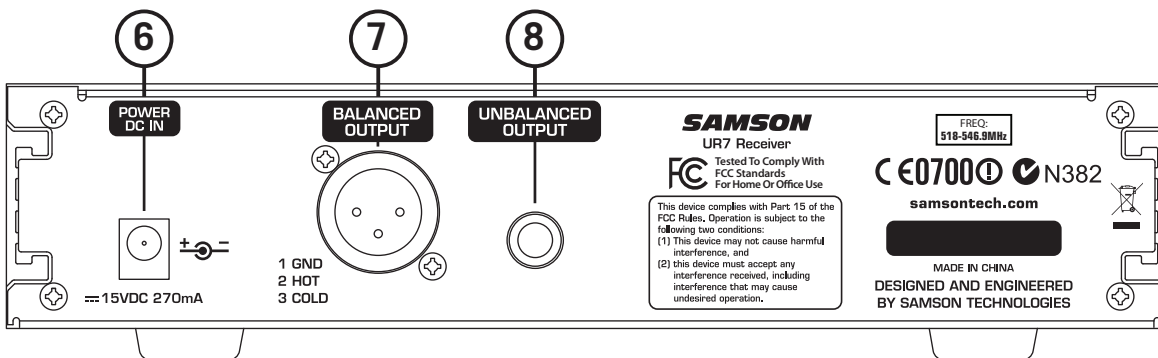
If you find the system has noticeable dropouts, reduced overall working range, or unexpected noise bursts, change the operating channel of the system using the steps above.



UR7 Receiver Callouts



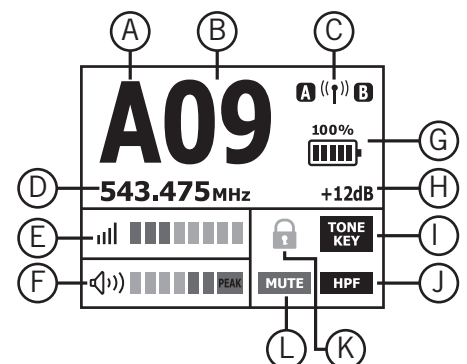
1. **Antennas Jacks** - The BNC antenna jacks allow full rotation for optimum placement. In normal operation, both antennas should be placed in a vertical position.
2. **POWER Switch** - Press and hold this to power the receiver on or off. A quick press of the button will move back through the menus.
3. **IR Transmitter** - During “IR SET” an infrared code (similar to selecting a channel with a TV remote) is used to set the transmitter channel.
4. **Color LCD** - Displays transmitter and receiver settings and performance data.
5. **MENU/SELECT Control** - This rotary encoder control knob/button is used to control and set menu functions and parameters.



6. **DC Input** - Connect the supplied power adapter here. **WARNING:** Do not substitute any other kind of power adapter. Doing so can cause severe damage to the UR7 and will void your warranty.
7. **XLR BALANCED OUTPUT** - Electronically balanced, microphone-level output.
8. **¼” UNBALANCED OUTPUT** - Unbalanced high impedance instrument-level output.

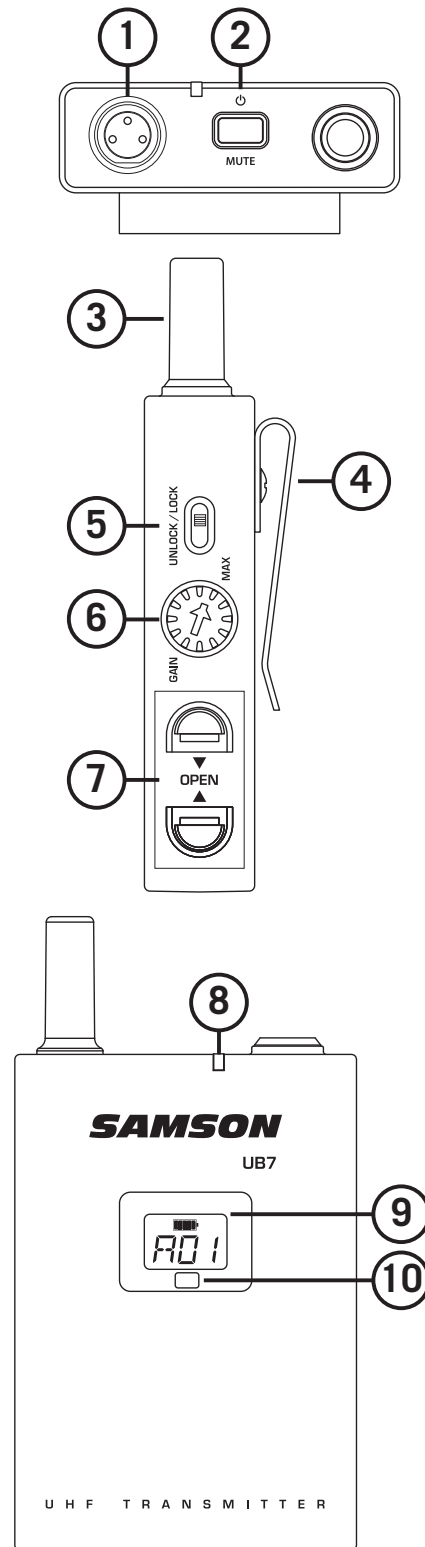
LCD Display

- | | |
|-----------------------------|----------------------------------|
| A. Group | G. Transmitter Battery Indicator |
| B. Channel | H. Receiver Audio Output Level |
| C. Active Antenna Indicator | I. Tone Key Active Indicator |
| D. Operating Frequency | J. High Pass Filter Indicator |
| E. RF Signal Meter | K. Receiver Lock |
| F. Audio Meter | L. Transmitter Mute Indicator |



UB7 Callouts

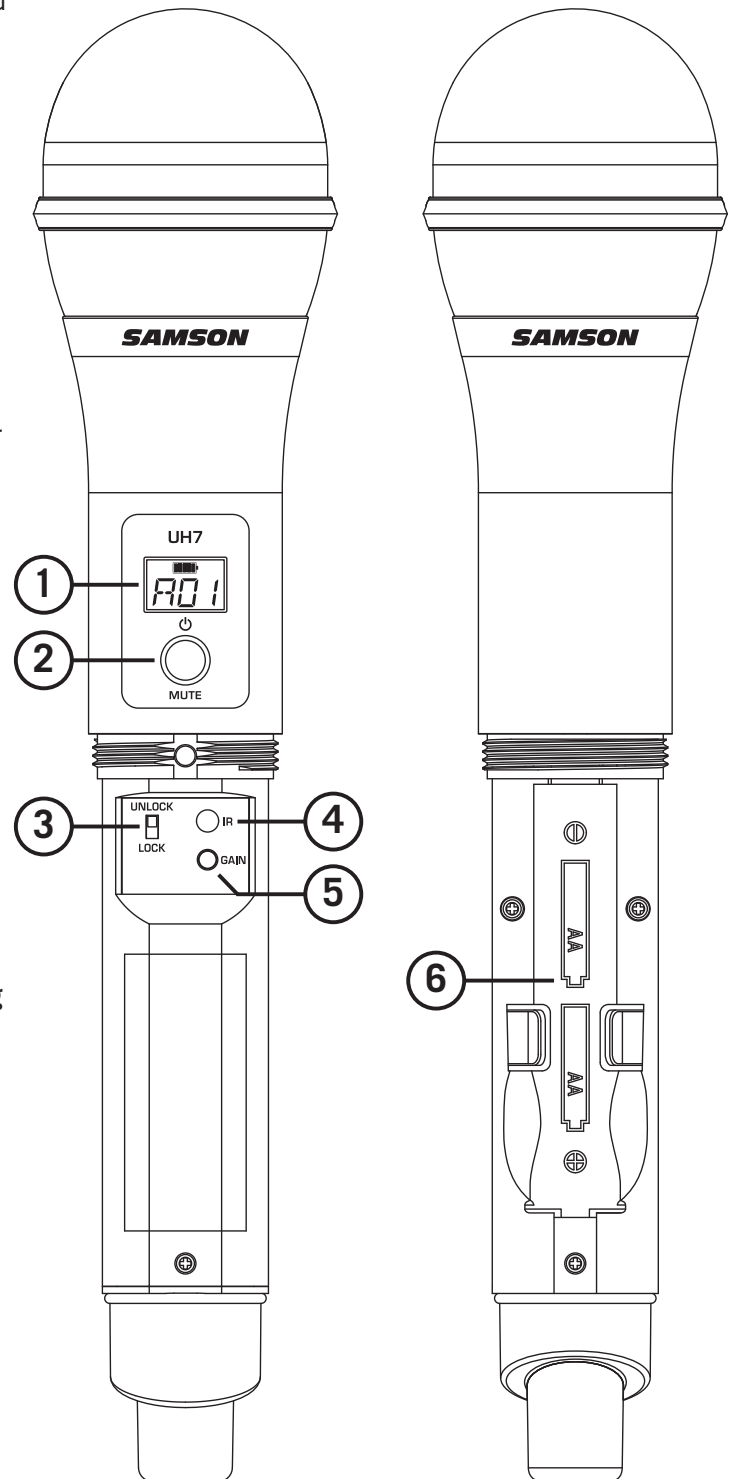
- 1. Input Connector** - Connect the input device via the mini-XLR connector.
- 2. Power/Mute Switch** - Press and hold to turn the unit on or off. Press and release to mute or unmute the transmitter.
- 3. Antenna** - Permanently attached transmitter antenna.
- 4. Belt Clip** - Use this clip to fasten transmitter to a belt or guitar strap.
- 5. UNLOCK/LOCK Switch** - Locking the system controls prevents accidental muting or channel adjustment during performance.
- 6. Input GAIN Control** - This control adjusts the transmitter input sensitivity to work with microphone and instruments input signals. For optimal performance set the input GAIN control to where you see the UR7 PEAK indicator start to light under high levels, then turn down slowly until the PEAK light stops lighting or only occasionally flashes during the loudest input each channel will see
- 7. Battery Holder** - Insert two standard AA (LR6) batteries here, being sure to observe the plus and minus polarity markings shown. Although rechargeable Ni-Cad batteries can be used, they do not supply adequate current for more than four hours.
WARNING: Do not insert the batteries backwards; doing so can cause severe damage to the UR7 and will void your warranty.
- 8. Status Indicator** - This LED lights green when the transmitter is powered, and lights red when the transmitter is muted.
- 9. LCD Display** - Displays the group, channel and battery level information.
- 10. IR Lens** - This window is used to capture the infrared signal sent from the UR7 during the IR SET to channelize the transmitter.



UH7 Callouts

1. **LCD Display** - Displays the current group, channel and battery level information.
2. **Power/Mute Switch** - Press and hold to turn the unit on or off. Press and release to mute or un-mute the transmitter.
3. **UNLOCK/LOCK Switch** - Locking the system controls prevents accidental muting or channel adjustment during performance.
4. **IR Lens** - This window is used to capture the infra-red signal sent from the UR7 during the IR SET to channelize the transmitter. The battery cover must be open and the IR Lens facing towards the receiver to load the selected channel.
5. **Input GAIN Button** - This control adjusts the transmitter input sensitivity. Press to set the gain setting. For optimal performance, set the input GAIN control to where you see the UR7 PEAK indicator start to light under high levels, then turn down until the PEAK light stops lighting.
6. **Battery Holder** - Open the battery holder by pressing the tab and lifting the cover. Insert two standard AA (LR6) batteries here, being sure to observe the plus and minus polarity markings shown. Although rechargeable Ni-Cad batteries can be used, they do not supply adequate current for more than four hours.


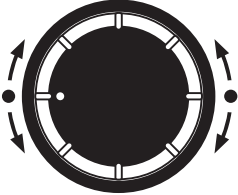
WARNING: Do not insert the batteries backwards; doing so can cause severe damage to the UH7 and will void your warranty.



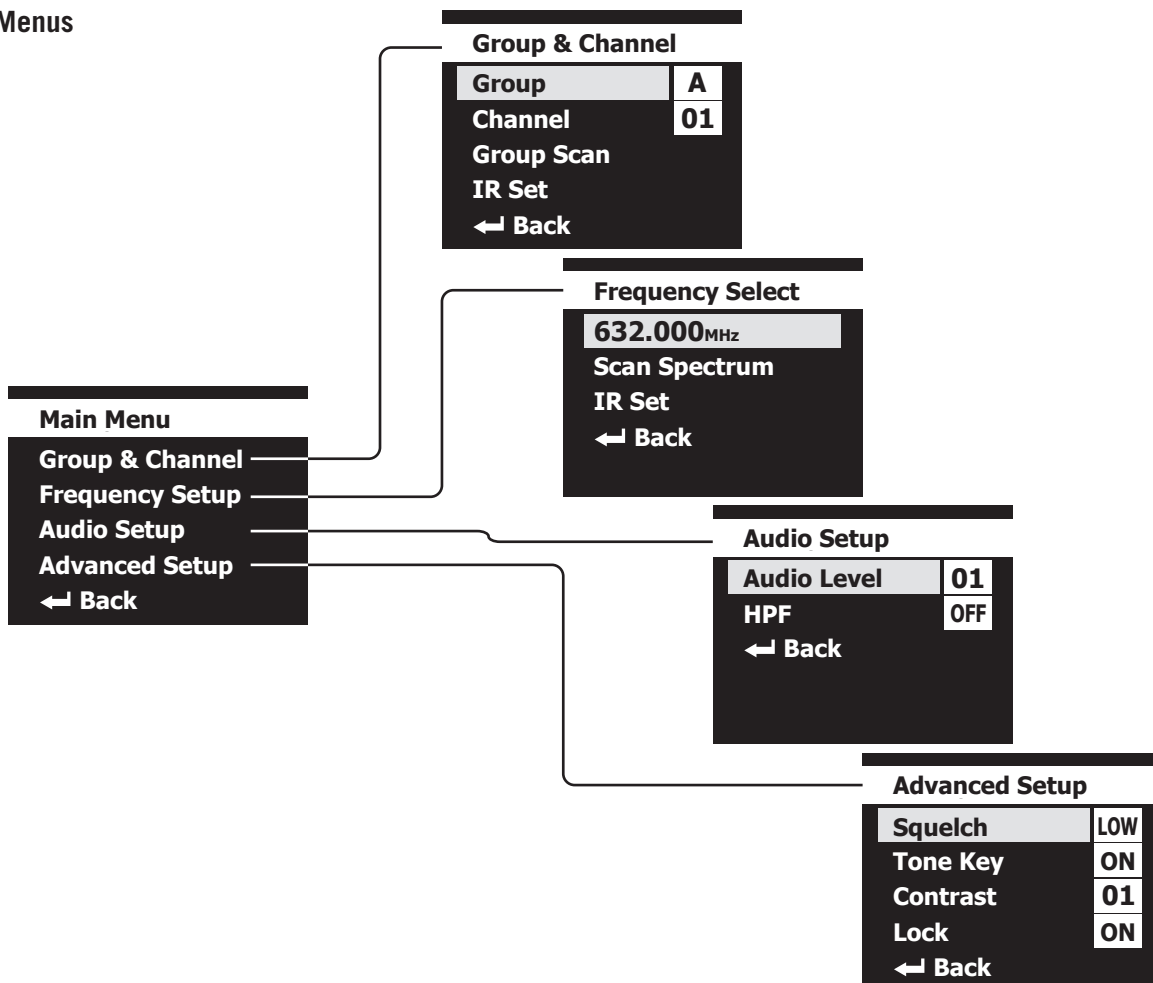
UR7 Operating Menu

The UR7 receiver features a user friendly operating menu, with extensive features and adjustable parameters. This enables the receiver and transmitter to be quickly and easily set up for performance.

Controls

 <p>POWER</p>	Press and hold switches the receiver on and off
	Short press cancels an entry and returns to the current menu
	Short press moves back through the menus.
 <p>MENU/SELECT</p>	Press to enter the menus
	Enters a sub-menu
	Selects a parameter to be adjusted
	Confirms and stores a setting and returns to the current menu
	Rotate to cycle through available menu selections
	Rotate to cycle through available parameter

Operating Menus



Menu Parameters

Group & Channel

Group	Manually adjusts the operating Group
Channel	Manually adjusts the channel with the selected Group
Group Scan	Scans the current selected group channels and selects the cleanest signal to use for optimal performance
IR Set	Sends the group and channel information to the UH7 and UB7 transmitters via the infrared set.

Group & Channel	
Group	A
Channel	01
Group Scan	
IR Set	
← Back	

Frequency Select

Frequency	Manually adjust the operating frequency of the UR7 receiver.
Scan Spectrum	Scans the entire frequency band of the UR7 receiver and selects the cleanest signal to use for optimal performance.
IR Set	Sends the operating frequency information to the UH7 and UB7 transmitters via the infrared set.

Frequency Select	
632.000 ^{MHz}	
Scan Spectrum	
IR Set	
← Back	

Audio Setup

Audio Level	Sets the level of the audio signal being output through both the balanced and unbalanced output jacks on the rear panel.
HPF	Enables a high pass filter on the audio output. This is useful when using the receiver with a handheld microphone to reduce lower frequencies that you do not want the microphone to pick up. It is useful for removing stage rumble.

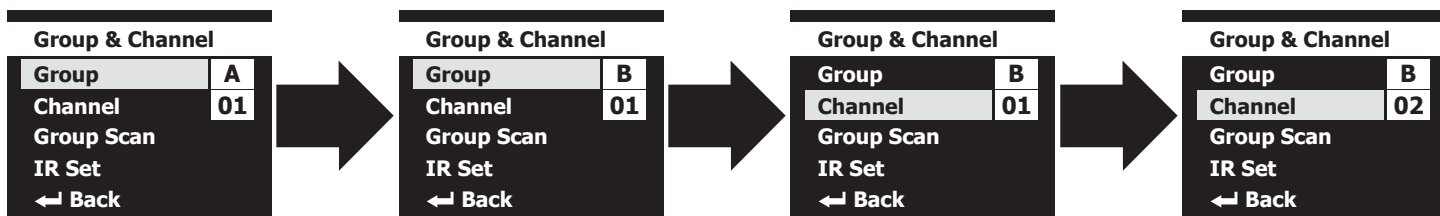
Audio Setup	
Audio Level	01
HPF	OFF
← Back	

Advanced Setup

Squelch	Adjusts the squelch threshold
Tone Key	Enables or disables the Tone Key. This is useful when setting up the system to. During normal operation the Tone Key should be enabled.
Contrast	Adjusts the contrast of the receiver display.
Lock	Locks the controls of the receiver.

Advanced Setup	
Squelch	LOW
Tone Key	ON
Contrast	01
Lock	ON
← Back	

Group & Channel Menu



From the main performance page, press the MENU/SELECT button to enter the Main Menu.

With GROUP & CHANNEL highlighted, press the MENU/SELECT button to enter the GROUP & CHANNEL sub-menu.

Setting Group and Channel

Rotate the cursor to select the GROUP parameter.

Press the MENU/SELECT button to adjust the setting.

Rotate the MENU/SELECT knob to adjust the group letter.

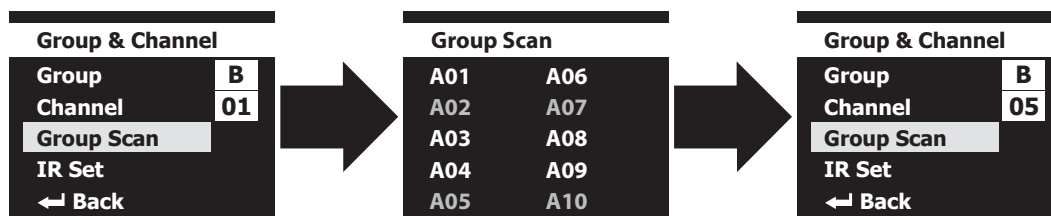
Press the MENU/SELECT button to confirm and store the setting or press the POWER button to cancel the selection and move back to the GROUP & CHANNEL sub-menu.

Rotate the cursor to select the CHANNEL parameter.

Press the MENU/SELECT button to adjust the setting.

Rotate the MENU/SELECT knob to adjust the channel number.

Press the MENU/SELECT button to confirm and store the setting or press the POWER button to cancel the selection and move back to the GROUP & CHANNEL sub-menu.

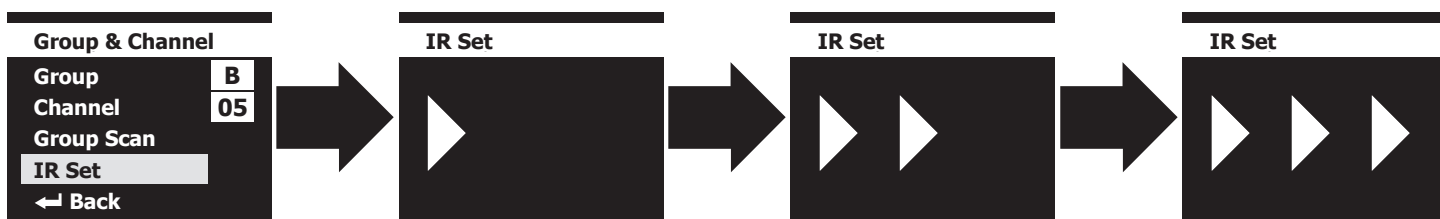


Scan the Group for a clear channel

Rotate the cursor to select the SCAN GROUP parameter.

Press the MENU/SELECT button to activate the scan function.

The display will highlight open channels in green and channels that have interference in red. You can use this as a gauge when selecting a group for multiple system. By scanning each Group, you can find the Group with the most number of free channels.



Set the transmitter group and channel

Rotate the cursor to select the IR SCAN parameter.

Press the MENU/SELECT button to activate the IR SET function. While the IR SET is in progress, position the transmitter about 6-12" (15-30 cm) from the front of the UR7 receiver with the transmitter's IR window facing the IR transmitter on the front panel of the receiver.

Frequency Select Menu



From the main performance page, press the MENU/SELECT Button to enter the Main Menu. With FREQUENCY SETUP highlighted, press the MENU/SELECT button to enter the FREQUENCY SETUP sub-menu.

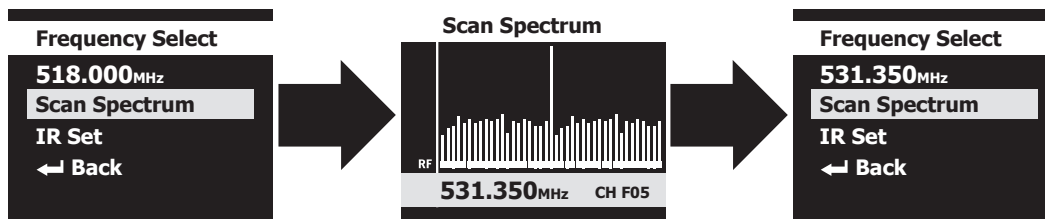
Setting the Operating Frequency

Rotate the cursor to select the Frequency parameter.

Press the MENU/SELECT button to adjust the setting.

Rotate the MENU/SELECT knob to adjust the performance frequency.

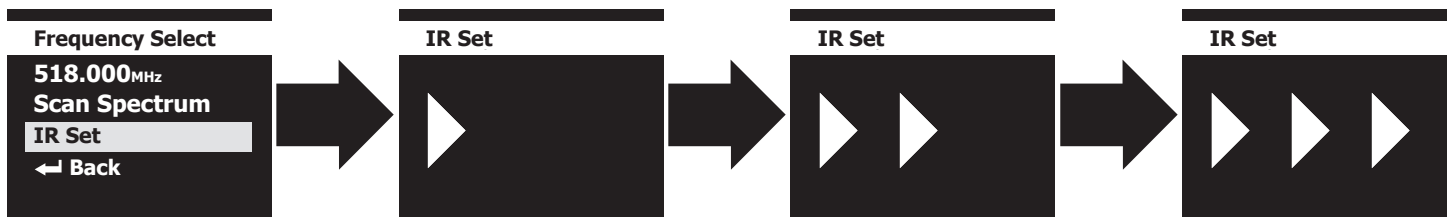
Press the MENU/SELECT button to confirm and store the setting or press the POWER button to cancel the selection and move back to the FREQUENCY SETUP sub-menu.



Scan the frequency band for a clean channel

Rotate the cursor to select the SCAN SPECTRUM parameter.

Press the MENU/SELECT button to activate the scan function.

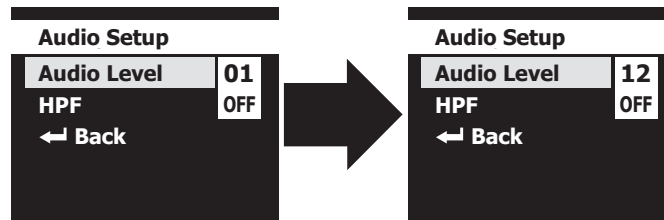


Set the transmitter group and channel

Rotate the cursor to select the IR SCAN parameter.

Press the MENU/SELECT button to active the IR SET function. While the IR SET is in progress, position the transmitter about 6-12" (15-30 cm) from the front of the UR7 receiver with the transmitter's IR window facing the IR transmitter on the front panel of the receiver.

Audio Setup



From the main performance page, press the MENU/SELECT Button to enter the Main Menu. With AUDIO SETUP highlighted, press the MENU/SELECT button to enter the AUDIO SETUP sub-menu.

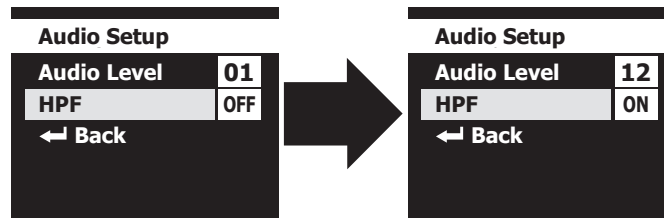
Setting the Audio Level

Rotate the cursor to select the AUDIO LEVEL parameter.

Press the MENU/SELECT button to adjust the setting.

Rotate the MENU/SELECT knob to adjust the output level setting.

Press the MENU/SELECT button to confirm and store the setting or press the POWER button to cancel the selection and move back to the AUDIO LEVEL sub-menu.



Enabling the High Pass Filter

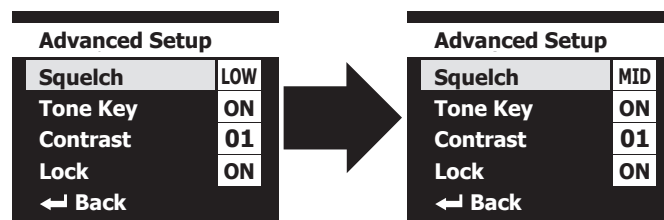
Rotate the cursor to select the HPF parameter.

Press the MENU/SELECT button to adjust the setting.

Rotate the MENU/SELECT knob to turn the HPF On or OFF.

Press the MENU/SELECT button to confirm and store the setting or press the POWER button to cancel the selection and move back to the AUDIO LEVEL sub-menu.

Advanced Setup



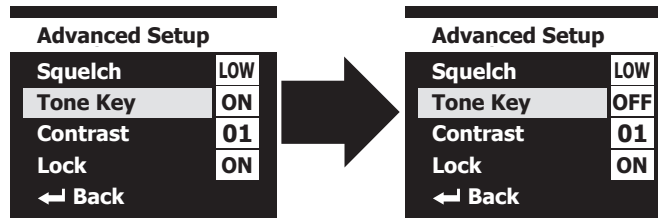
From the main performance page, press the MENU/SELECT Button to enter the Main Menu. With ADVANCED SETUP highlighted, press the MENU/SELECT button to enter the ADVANCED SETUP sub-menu.

Adjust the Squelch Threshold

Rotate the cursor to select the SQUELCH parameter. Press the MENU/SELECT button to adjust the setting. Rotate the MENU/SELECT knob to adjust the threshold level. Press the MENU/SELECT button to confirm and store the setting. Press the POWER button to cancel the selection and move back to the ADVANCED LEVEL sub-menu.

The Squelch threshold setting is helpful in increasing the audio reception between the receiver and transmitter when there is RF interference. As the squelch threshold is increased, the overall range is reduced. Always start with the squelch set to the minimum setting.

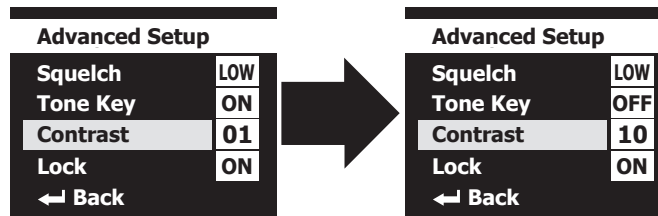
Advanced Setup



Enabling the Tone Key

Rotate the cursor to select the TONE KEY parameter. Press the MENU/SELECT button to adjust the setting. Rotate the MENU/SELECT knob to turn the TONE KEY on or off. Press the MENU/SELECT button to confirm and store the setting. Press the POWER button to cancel the selection and move back to the ADVANCED LEVEL sub-menu.

The Tone Key is an inaudible frequency that is transmitted along with the audio signal. It assists in reducing audio interference from other RF devices. When troubleshooting audio issues, it may be helpful to turn the tone key off. For best performance, it is recommended to always have the Tone Key activated.



Adjust the Display Contrast

Rotate the cursor to select the CONTRAST parameter. Press the MENU/SELECT button to adjust the setting. Rotate the MENU/SELECT knob to adjust the contrast level. Press the MENU/SELECT button to confirm and store the setting. Press the POWER button to cancel the selection and move back to the ADVANCED LEVEL sub-menu.



Lock the receiver controls

Rotate the cursor to select the LOCK parameter. Press the MENU/SELECT button to adjust the setting. Rotate the MENU/SELECT knob to enable the receiver Lock. Press the MENU/SELECT button to confirm and store the setting. Press the POWER button to cancel the selection and move back to the ADVANCED LEVEL sub-menu. If the Lock is activated, the receiver must be unlocked before being able to adjust any parameters. To unlock the receiver, press and hold the MENU/SELECT button until the LOCK icon is flashing. Rotate the MENU/SELECT knob until the icon shows unlock, then press the MENU/SELECT button to confirm.

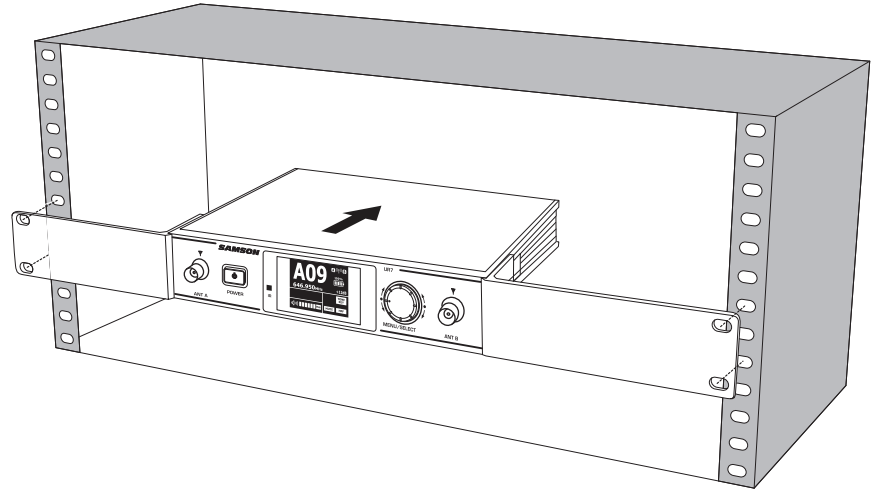
Rack Mounting

The UR7 receiver can be installed into a standard 19" rack for transport or permanent installation using the included rack ears.

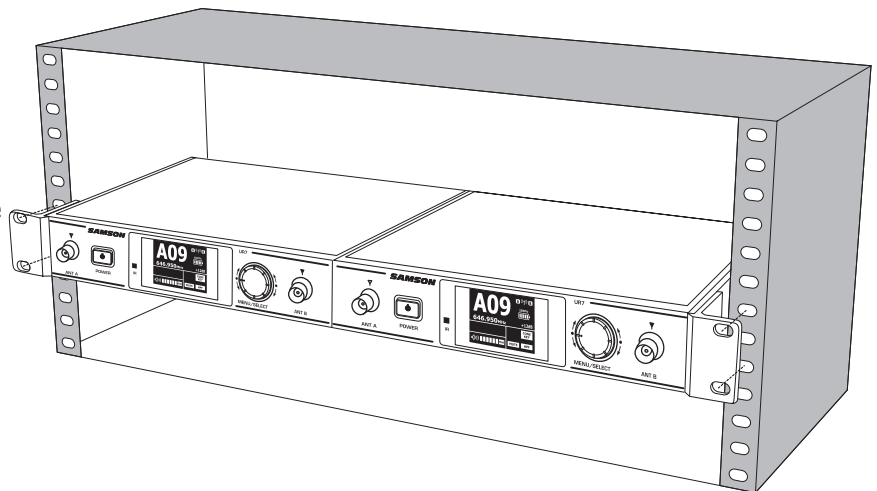
Affix the included rack ears to each side of the UR7 receiver. Secure the rack ears in place using the screws provided.

Position the UR7 receiver into an available rack space and slide in until the rack ears are touching the rails of the rack case and are aligned with the rack rail holes.

Mount the receiver into the rack using the appropriate size rack screws (not included). To ensure equal tension and balance when installing the receiver, you should secure screws in a crisscross pattern of opposite corners: top left -> bottom right -> top right -> bottom left.



A dual receiver rack mount kit (RKUR7) is available to mount two UR7 receivers in one rack space. The kit includes two short rack ears, a center connection piece, and a rear joint plate.



ENGLISH

FRANÇAIS

DEUTSCHE

ESPAÑOL

ITALIANO

Channel Plans

Group C 638-668 MHz										
	A	B	C	D	E	F	G	H	I	J
1	638.000	638.200	638.225	638.300	638.425	638.950	639.000	639.200	639.225	639.300
2	640.525	640.725	640.750	640.825	640.950	641.475	641.525	641.725	641.750	641.825
3	643.150	643.350	643.375	643.450	643.575	644.100	644.150	644.350	644.375	644.450
4	645.875	646.075	646.100	646.175	646.300	646.825	646.875	647.075	647.100	647.175
5	648.700	648.900	648.925	649.000	649.125	649.650	649.700	649.900	649.925	650.000
6	651.650	651.850	651.875	651.950	652.075	652.600	652.650	652.850	652.875	652.950
7	654.725	654.925	654.950	655.025	655.150	655.675	655.725	655.925	655.950	656.025
8	657.925	658.125	658.150	658.225	658.350	658.875	658.925	659.125	659.150	659.225
9	661.250	661.450	661.475	661.550	661.675	662.200	662.250	662.450	662.475	662.550
10	664.700	664.900	664.925	665.000	665.125	665.650	665.700	665.900	665.925	666.000

Group I 518-547 MHz										
	A	B	C	D	E	F	G	H	I	J
1	518.000	518.200	518.225	518.300	518.425	518.950	520.000	520.200	520.225	520.300
2	521.025	521.225	521.250	521.325	521.450	521.975	522.775	522.975	523.000	523.075
3	524.100	524.300	524.325	524.400	524.525	525.050	525.600	525.800	525.825	525.900
4	527.225	527.425	527.450	527.525	527.650	528.175	528.475	528.675	528.700	528.775
5	530.400	530.600	530.625	530.700	530.825	531.350	531.400	531.600	531.625	531.700
6	533.600	533.800	533.825	533.900	534.025	534.550	534.350	534.550	534.575	534.650
7	536.850	537.050	537.075	537.150	537.275	537.800	537.350	537.550	537.575	537.650
8	540.150	540.350	540.375	540.450	540.575	541.100	540.400	540.600	540.625	540.700
9	543.475	543.675	543.700	543.775	543.900	544.425	543.475	543.675	543.700	543.775
10	546.850	547.050	547.075	547.150	547.275	547.800	546.600	546.800	546.825	546.900

Group F* 606-634 MHz										
	A	B	C	D	E	F	G	H	I	J
1	606.000	606.200	606.225	606.300	606.425	606.950	607.000	607.200	607.225	607.300
2	608.525	608.725	608.750	608.825	608.950	609.475	609.525	609.725	609.750	609.825
3	611.150	611.350	611.375	611.450	611.575	612.100	612.150	612.350	612.375	612.450
4	613.875	614.075	614.100	614.175	614.300	614.825	614.875	615.075	615.100	615.175
5	616.700	616.900	616.925	617.000	617.125	617.650	617.700	617.900	617.925	618.000
6	619.650	619.850	619.875	619.950	620.075	620.600	620.650	620.850	620.875	620.950
7	622.725	622.925	622.950	623.025	623.150	623.675	623.725	623.925	623.950	624.025
8	625.925	626.125	626.150	626.225	626.350	626.875	626.925	627.125	627.150	627.225
9	629.250	629.450	629.475	629.550	629.675	630.200	630.250	630.450	630.475	630.550
10	632.700	632.900	632.925	633.000	633.125	633.650	633.700	633.900	633.925	634.000

* Not for use in the USA and Canada. For questions regarding available channels in your area contact your local Samson distributor.

Specifications

System

Working Range	300' (100m) line of sight
Audio Frequency Response	50 Hz - 15 kHz
T.H.D. (Overall)	<1% (@AF 1 kHz, RF 46 dBu)
Dynamic Range	>100 dB A-weighted
Signal to Noise	>90 dB
Operating Temperature	-10°C (14°F) to +60°C (+140°F)
Tone Key Frequency	32.768KHz

UB7 Belt Pack Transmitter

Input Connector	Mini-XLR (P3)
Input Impedance	1MΩ
Input Gain Range	38 dB
RF Power	10 mW EIRP
Power Requirements	Two AA (LR6) alkaline batteries
Battery Life	Up to 15 hours
Dimensions (HxLxD)	2.4" x 0.78" x 3.5" / 62mm x 20mm x 90mm
Weight	5oz / 139.4g

UH7 Handheld Transmitter

Microphone Element	Q8 Dynamic
Input Gain Range	28 dB
RF Power	10 mW EIRP
Power Requirements	Two AA (LR6) alkaline batteries
Battery Life	Up to 15 hours
Dimensions (HxØ)	10.5" x 2.2" / 266mm x 55mm
Weight	11oz / 310.2g

UR7 Receiver

Audio Output Level	Unbalanced +14 dBu / Balanced +9 dBu
Audio Output Impedance	Unbalanced 810 Ohms / Balanced 240 Ohms
Sensitivity	-100 dBm / 30 dB sinad
Image Rejection	>50 dB
Operating Voltage:	15V
Dimensions (LxWxH)	8.5" x 1.8" x 7.4" / 215mm x 45mm x 189mm
Weight:	3.1lb / 1.4kg

At Samson, we are continually improving our products, therefore specifications and images are subject to change without notice.


Alerte de la FCC sur les micros sans fil adressée aux consommateurs

La plupart des utilisateurs n'ont pas besoin d'autorisation pour faire fonctionner ce système de micros sans fil. Néanmoins, l'utilisation de ce système de micros sans fil est soumise à certaines restrictions : le système peut provoquer des interférences nocives ; il doit impérativement fonctionner à un faible niveau de puissance (ne dépassant pas 50 milliwatts) ; en outre, il n'a aucune protection face aux interférences en provenance de tout autre appareil. Les acheteurs devront également savoir que la FCC évalue actuellement l'utilisation de systèmes à micros sans fil, ces règles étant susceptibles de varier. Pour tous renseignements complémentaires, appelez la FCC au 1-888-CALL-FCC (TTY : 1-888-TELL-FCC) ou rendez-vous sur le site web des micros sans fil de la FCC à l'adresse www.fcc.gov/cgb/wirelessmicrophones.

Consignes de sécurité importantes

1. Lire la présente notice.
2. Conserver la présente notice.
3. Respecter toutes les mises en garde.
4. Suivre les consignes.
5. Ne pas utiliser cet appareil près de l'eau.
6. Ne nettoyer qu'avec un chiffon sec.
7. Ne pas boucher les ouïes de ventilation. Installer en respectant la notice du fabricant.
8. Ne pas installer à proximité de sources de chaleur comme des radiateurs, bouches de chauffage, cuisinières ou autres appareils (amplificateurs compris) qui dégagent de la chaleur.
9. Ne pas défaire le dispositif de sécurité de la fiche polarisée ou à mise à la terre. Une fiche polarisée présente deux lames dont une plus large que l'autre. Une fiche à prise de terre présente deux lames et une troisième broche de mise à la terre. La lame large ou la troisième broche est prévue pour votre sécurité. S'il est impossible d'introduire la fiche fournie dans la prise de secteur, demander conseil à un électricien pour remplacer la prise de secteur non conforme.
10. Protéger le câble électrique pour éviter de marcher dessus ou de le pincer, en particulier sur les fiches mâles, les prises de courant et à l'endroit où ils sortent de l'appareil.
11. N'employer que les fixations/accessoires indiqués par le fabricant.
12. Ne l'utiliser qu'avec le chariot, support, trépied, console ou plateau indiqué(e) par le fabricant ou vendu(e) avec l'appareil. Lors de l'utilisation d'un chariot, faire attention en déplaçant l'ensemble chariot/appareil afin d'éviter tout accident corporel en cas de renversement.
13. Débrancher l'appareil pendant les orages ou en cas de non-utilisation prolongée.
14. Toutes les interventions d'entretien doivent être confiées à des techniciens qualifiés. L'intervention doit impérativement avoir lieu lorsque l'appareil a été endommagé d'une manière quelconque, par ex. le câble ou la prise mâle d'alimentation est endommagé(e), un liquide s'est déversé ou des objets sont tombés à l'intérieur de l'appareil, l'appareil a été exposé à la pluie ou à l'humidité, ne fonctionne pas normalement ou est tombé.
15. Cet appareil ne doit pas être exposé aux gouttes ni aux éclaboussures ; ne poser sur l'appareil aucun objet rempli de liquide (par ex. un vase).
16. Attention ! Pour prévenir tout risque d'électrocution, faire correspondre la lame large de la fiche mâle à la fente large ; enfoncer à fond.
17. Assurer un bon climat de ventilation tout autour de l'appareil.
18. L'adaptateur enfichable direct sert de disjoncteur ; le disjoncteur doit pouvoir être manipulé directement.
19. Les batteries (= module batterie ou batteries installés) ne doivent pas être exposées à une chaleur excessive provenant, par exemple, du rayonnement solaire, du feu ou autre.



 Si vous souhaitez éliminer ce produit, ne le mettez pas aux ordures ménagères. Conformément à la législation, le ramassage des équipements électroniques se fait séparément pour en assurer le recyclage dans les règles de l'art.

Les ménages résidant dans les 28 Etats membres de l'U.E., en Suisse et en Norvège peuvent déposer gratuitement leurs appareils électroniques usagés dans les déchetteries agréées ou chez un revendeur (en cas d'achat d'un appareil neuf similaire).

Pour les pays non cités, n'hésitez pas à contacter votre collectivité locale pour vous renseigner sur le mode d'élimination en vigueur.

En agissant ainsi, vous serez assuré que votre appareil sera traité, récupéré et recyclé dans les règles, prévenant ainsi les effets néfastes potentiels sur l'environnement et la santé humaine.

Consignes de sécurité importantes

La FCC et les Règles et Réglementation Professionnels du Automéfac Canada

Les récepteurs sans fil Samson sont certifiés aux termes des Règles de la FCC partie 15 et les émetteurs-récepteurs sont certifiés aux termes des Règles de la FCC partie 74.

L'autorisation d'exploitation du matériel Samson incombe à l'utilisateur et son autorisation dépend de la classification de l'utilisateur, de l'application et de la fréquence sélectionnée.

Cet appareil est conforme à la norme RSS-210 de l'industrie canadienne. Le fonctionnement du dispositif est assujéti aux deux conditions suivantes :

- (1) Cet appareil ne doit pas provoquer d'interférences nuisibles et
- (2) Cet appareil doit supporter les interférences reçues, notamment celles pouvant entraîner un dysfonctionnement.

REMARQUE : Cet appareil a été testé et jugé conforme aux limites applicables à un appareil numérique de Classe B aux termes de la section 15 des Règles de la FCC. Ces limites sont conçues pour offrir une protection raisonnable contre les interférences nocives rencontrées dans une installation résidentielle. Cet équipement génère, utilise et peut dégager une énergie radioélectrique et, s'il n'est pas installé ni utilisé conformément au présent manuel d'utilisation, risque de provoquer des interférences dommageables pour les radiocommunications. Toutefois, il n'est pas garanti que des interférences ne se produiront pas dans une installation donnée. Si cet appareil provoque effectivement des interférences dommageables pour la réception de la radio ou de la télévision, phénomène pouvant être établi en éteignant, puis en rallumant l'appareil, l'utilisateur est invité à tenter de corriger les interférences en prenant une ou plusieurs des mesures suivantes :

- réorienter ou déplacer l'antenne de réception,
- augmenter la distance entre les équipements et le récepteur.
- Brancher l'appareil sur une prise murale, sur un circuit différent de celui sur lequel le récepteur est branché,
- demander conseil au revendeur ou à un technicien radio/TV expérimenté.

AVERTISSEMENT : Les changements ou modifications non expressément validés par le responsable de la conformité risquent d'annuler l'autorisation de l'utilisateur à faire fonctionner les équipements.

Équipements hertziens & équipements terminaux de télécommunications (R&TTE)

Ces équipements sont destinés à être utilisés dans les applications à microphones sans fil.

Ces équipements sont destinés à la vente dans les pays suivants : AT, BE, CH, CY, CZ*, DK, EE, FI*, FR*, DE*, GR*, HU, IE, IS, IT, LV, LT*, LU, MT*, NL, NO*, PL* PT, RO, SK, SI, ES, SE, UK

*Sous réserve d'autorisation. N'hésitez pas à contacter votre autorité nationale d'attribution de fréquences pour tous renseignements sur l'utilisation légale disponible dans votre secteur. Les changements ou modifications non expressément validés par Samson Technologies Corp. risquent d'annuler votre autorisation à utiliser les équipements.

Déclaration CE

Nous, société Samson Technologies Corporation, sise 45 Gilpin Ave, Hauppauge, NY 11788 (USA), déclarons sous notre propre responsabilité que ces appareils sont conformes aux règles essentielles énoncées dans la Directive relative aux équipements hertziens & équipements terminaux de télécommunications 1999/5/CE lorsqu'ils sont installés conformément aux consignes d'installation contenues dans la documentation des produits. Afin que les normes et/ou spécifications techniques ci-dessous référencées soient appliquées comme indiqué :

EN 60065:2002+A1:2006+A11:2008+A2:2010+A12:2011,
EN 301 489-1 V1.9.2:2011,
EN301 489-9 V1.4.1:2007,
EN 300 422-1 V1.4.2:2011,
EN 300 422-2 V1.3.1:2011.

Année du marquage CE (Directive Basse Tension) : 2014

Les produits doivent être revêtus du logo CE et être accompagnés du numéro d'identification de l'Organisme Notifié **0700**. Ces équipements porteront également l'identifiant "Équipements de Classe 2".



Introduction

Félicitations ! Vous venez de vous procurer le système sans fil Samson Synth 7. Le Synth 7 est la solution idéale pour le chanteur actif qui recherche un système de sonorisation génial et fiable destiné aux applications sans fil.

Le système Synth 7 présente des éléments entièrement métalliques présentant des écrans faciles à lire et des fonctions de menus évoluées pour un fonctionnement parfait. The Synth 7 existe en cinq configurations. Le système portatif vocal comporte l'émetteur-récepteur portable UH7 à capsule microphone dynamique Q8. Le système à la ceinture UB7 peut être configuré soit en étant équipé du microphone à attache-oreille SE10, du micro-cravate LM10, du microphone à attache-oreille vocal QV ou d'un câble à instrument ¼". Pour les déplacements ou l'installation permanente, le Synth 7 comporte un kit rack 19" standard.

Vous trouverez ici une présentation détaillée des fonctions du système sans fil Synth 7, les caractéristiques pour sa mise en place, son utilisation, ainsi que ses caractéristiques techniques complètes. Si vous avez acheté votre système sans fil aux Etats-Unis, vous trouverez également ci-joint une carte de garantie : n'oubliez pas de la remplir et de nous la renvoyer par courrier. Vous bénéficierez ainsi de l'assistance technique en ligne et recevrez les dernières informations sur les produits Samson de cette gamme et d'autres gammes. En outre, consultez notre site web (www.samsontech.com) pour tous renseignements sur toute notre gamme d'appareils.

Nous vous conseillons de conserver les renseignements suivants pour consultation ultérieure, ainsi qu'une copie de votre preuve d'achat.

8.1 Numéro de série de l'émetteur _____

8.1 Numéro de série de l'émetteur _____

Date d'achat : _____

Nom du revendeur : _____

Avec un entretien adapté et une bonne maintenance, votre système sans fil Synth 7 vous donnera satisfaction pendant de nombreuses années. Pour faire réparer votre système sans fil, vous devez tout d'abord obtenir un numéro de retour (RA) avant de le renvoyer à Samson. Sans ce numéro, l'appareil ne sera pas accepté. N'hésitez pas à appeler Samson au 1-800-3SAMSON (1-800-372-6766) pour obtenir ce numéro avant de renvoyer votre appareil. Veuillez conserver les matériaux d'emballage d'origine et, si possible, renvoyer l'appareil dans son carton d'origine. Si vous avez acheté votre système Synth 7 ailleurs qu'aux Etats-Unis, contactez votre distributeur pour tous renseignements sur la garantie et le service après vente.

Fonctionnalités

- Systèmes sans fil UHF professionnels True Diversity
- Le Mode Recherche (Scan) et l'analyseur de spectre à l'écran recherche les fréquences optimales pour un spectacle sans interférences
- La fonction Pilot Tone Squelch/Auto Mute (Silencieux de fréquence pilote/Filtre passe-bas automatique) supprime le bruit de radiofréquence qui surgit lorsqu'on fait passer l'émetteur sur Silencieux.
- Gamme dynamique accrue pour gérer les entrées les plus actives
- Récepteur couleur LCD
- Le LCD émetteur affiche le niveau de batterie et le numéro de chaîne
- L'émetteur offre jusqu'à 15 heures de fonctionnement continu sur deux piles AA
- Portée de 90 m
- Les éléments entièrement métalliques installables en racks garantissent la longévité et la transportabilité de l'ensemble.

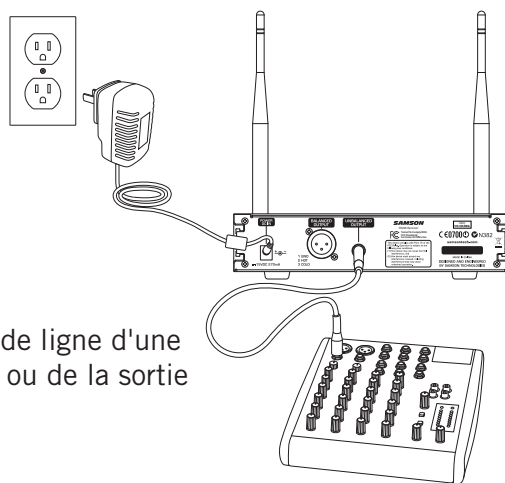
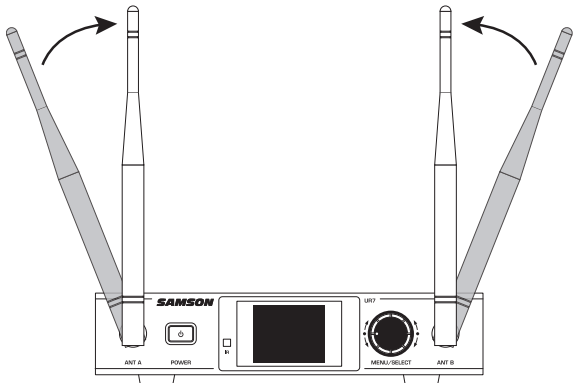
Prise en mains rapide

Pour que votre système sans fil fonctionne correctement, le récepteur comme l'émetteur doivent être réglés à la même fréquence.

Installation du récepteur :

Disposer physiquement le récepteur UR7 là où on s'en servira. La règle empirique générale consiste à assurer la "visibilité directe" entre le récepteur et l'émetteur pour que la personne utilisant ou portant l'émetteur voie bien le récepteur.

Raccorder les antennes et les positionner à la verticale.



Brancher l'adaptateur secteur joint sur une prise murale.

Relier le jack de sortie du récepteur UR7 au micro ou l'entrée de niveau de ligne d'une table de mixage ou d'un amplificateur à l'aide de la sortie XLR à balance ou de la sortie de niveau de ligne 1/4" dissymétrique.

Réglage du canal du récepteur - Lorsqu'on utilise un système simple, paramétrer le récepteur à l'aide du menu Frequency Select (Sélection de Fréquence). Lorsqu'on utilise de multiples systèmes Synth 7, se servir du menu Group & Channel (Groupe & Canal) pour que chaque système soit affecté au même groupe pour maximiser le nombre de canaux compatibles

Configuration d'un Système Simple

Appuyer sur le bouton Marche/Arrêt et le maintenir enfoncé pour allumer le récepteur UR7. L'afficheur du récepteur s'allumera.

Appuyer sur le bouton Menu/Select pour entrer dans le Menu Principal. Tourner le codeur Menu/Select pour choisir FREQUENCY SELECT (Sélection de Fréquence), puis appuyer sur le bouton MENU/SELECT.

Faire défiler vers le bas le menu jusqu'à trouver SCAN SPECTRUM (Parcourir le spectre), puis appuyer sur le bouton MENU/SELECT. Le récepteur parcourra le spectre sans fil et choisira un canal disponible.



Prise en mains rapide

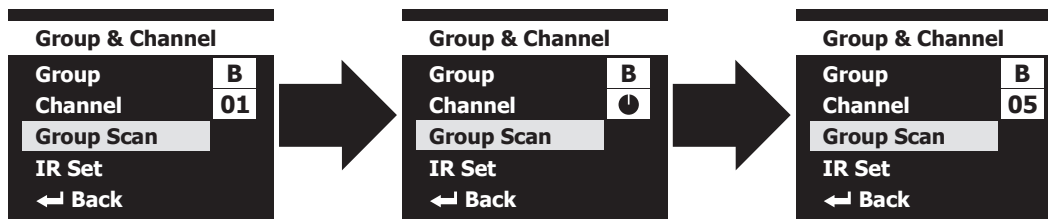
Configuration d'un Système Multiple

Appuyer sur le bouton Marche/Arrêt et le maintenir enfoncé pour allumer le récepteur UR7.

Appuyer sur le bouton Menu/Select pour entrer dans le Menu Principal. Tourner le codeur Menu/Select pour choisir GROUP & CHANNEL (Groupe & Canal), puis appuyer sur le bouton MENU/SELECT pour entrer dans le menu.

Paramétrer chaque récepteur pour le même Groupe. Sélectionner GROUP, puis appuyer sur le bouton MENU/SELECT. La lettre du Groupe se mettra à clignoter. Tourner l'encodeur MENU/SELECT jusqu'à ce qu'on sélectionne le groupe désiré, puis appuyer sur le bouton MENU/SELECT pour définir le Groupe récepteur.

Sélectionner GROUP SCAN, puis appuyer sur le bouton MENU/SELECT. Le récepteur UR7 parcourra le Groupe sélectionné à la recherche d'un canal disponible.



Réglage de l'émetteur :

Mettre en place deux piles AA neuves dans le module-ceinture UB7 ou l'émetteur portatif UH7. Appuyer sur le bouton Marche/Arrêt et le maintenir enfoncé pour allumer l'émetteur.

Sur le récepteur UR7, faire défiler les mots jusqu'à IR SET, puis appuyer sur le bouton MENU/SELECT.

Positionner l'émetteur à environ 6 à 12" (15 à 30 cm) de la façade avant du récepteur UR7, fenêtre infrarouge de l'émetteur faisant face à l'émetteur infrarouge IR situé sur la façade avant du récepteur. La fenêtre infrarouge de l'émetteur UH7 se trouve à l'intérieur du logement à piles. La fenêtre infrarouge de l'UB7 se trouve contre l'afficheur LCD.

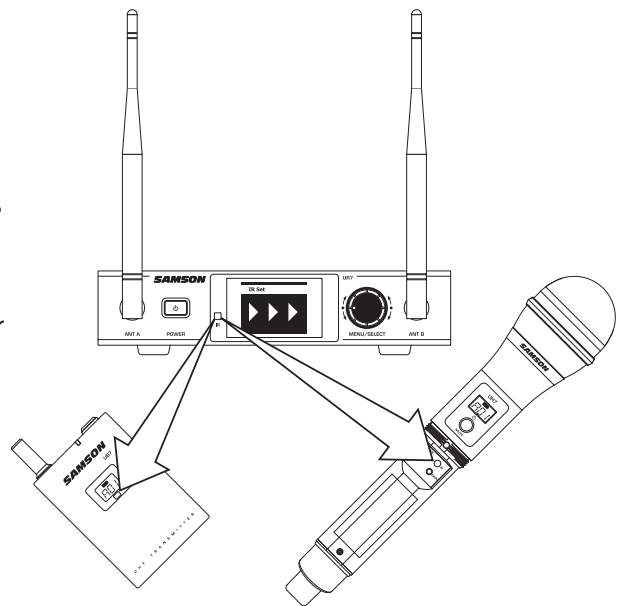
Lorsque l'émission est terminée, sélectionner BACK (en arrière) ou appuyer sur le bouton Marche/Arrêt du récepteur UR7 pour revenir à l'écran principal des performances.

Une fois qu'une paire d'émetteur-récepteur est réglée, laisser l'émetteur allumé et verrouillé avant de faire défiler le groupe à la recherche du prochain canal disponible. Ceci empêchera le récepteur de sélectionner un canal qui provoquera des interférences.

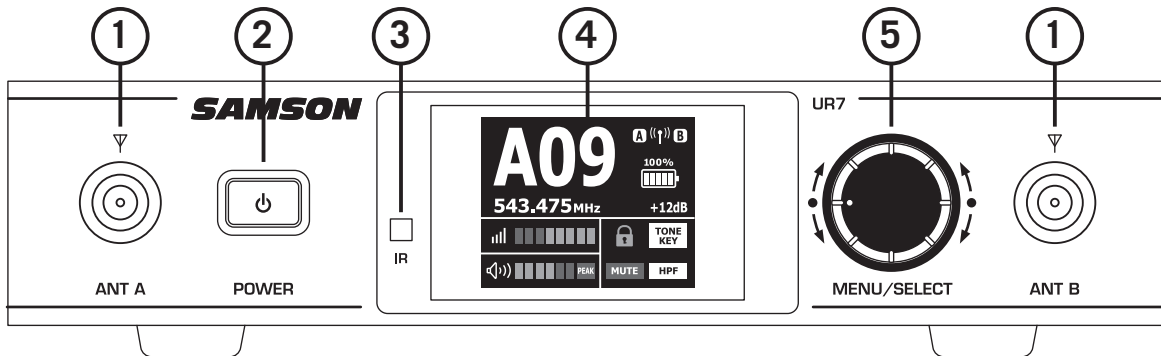
Régler le niveau de performances

Parler ou chanter dans le micro ou, si vous utilisez l'émetteur avec un instrument connecté, jouer de l'instrument au niveau normal pour le spectacle. Montez lentement le volume de votre ampli ou de la table de mixage jusqu'à parvenir au niveau désiré.

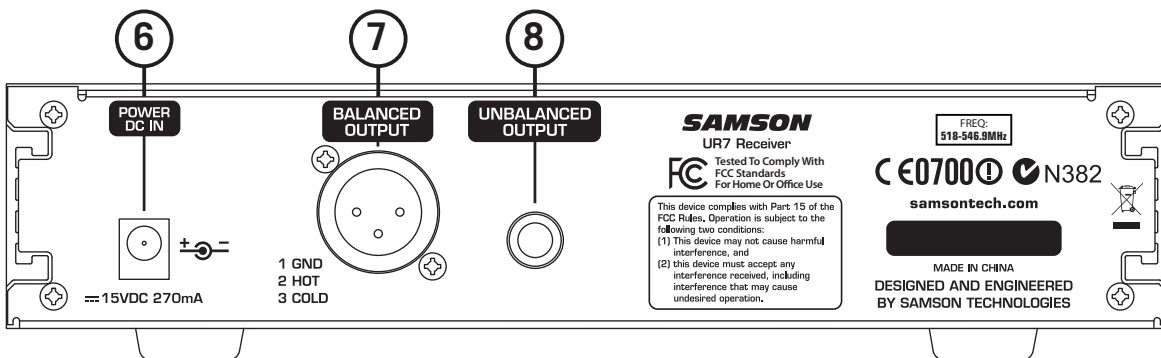
Si vous estimez que le système a des pertes de signal notables, une plage de fonctionnement d'ensemble réduite ou des pics de bruit inattendus, modifiez le canal opérateur du système en suivant les étapes ci-dessus.



Appels du récepteur UR7



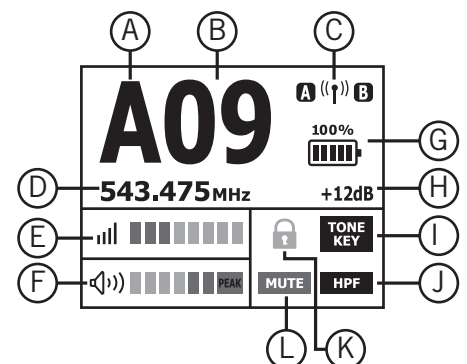
- Jacks d'antennes** - Les jacks d'antennes BNC permettent le pivotement intégral pour un positionnement optimum. En fonctionnement normal, les deux antennes devront être positionnées à la verticale.
- Bouton Marche/Arrêt (POWER)** - Appuyer et maintenir enfoncé pour allumer ou éteindre le récepteur. En appuyant rapidement, on reviendra en arrière dans les menus.
- Emetteur IR** - Pendant "IR SET", un code infrarouge (analogue à la sélection d'une chaîne sur une télécommande de téléviseur) est utilisé pour régler le canal de l'émetteur.
- Ecran LCD couleur** - Affiche les paramètres d'émetteur et de récepteur et les données de spectacle.
- Commande de MENU/SELECT** - Ce bouton de commande d'encodeur rotatif sert à commander et à régler les fonctions des menus et les paramètres.



- DC Input (Entrée c.continu)** - Brancher ici l'adaptateur secteur fourni. AVERTISSEMENT : Ne pas le remplacer par un autre type d'adaptateur secteur. Cela risque de détériorer gravement l'UR7 et annulera votre garantie.
- SORTIE XLR SYMETRIQUE** - Sortie à niveau de micro électroniquement symétrique.
- SORTIE 1/4" DISSYMETRIQUE** - Sortie du niveau de l'instrument à haute impédance dissymétrique.

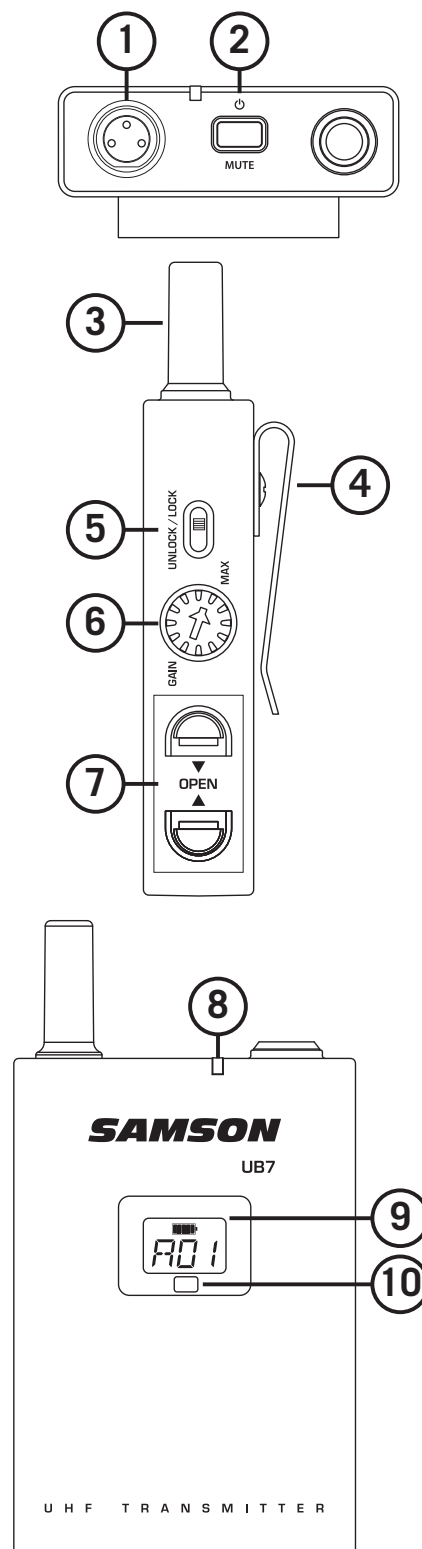
Ecran à cristaux liquides

- | | |
|----------------------------------|--|
| A. Groupe | H. Niveau de sortie audio du Récepteur |
| B. Voie | I. Indicateur de manipulation en tonalité active |
| C. Témoin d'Antenne Active | J. Indicateur de filtre passe-haut |
| D. Fréquence de travail | K. Verrouillage du récepteur |
| E. Mesure du Signal RF | L. Indicateur de Coupure de l'Emetteur |
| F. Audiomètre | |
| G. Indicateur de Pile d'Emetteur | |



Appels sur UB7

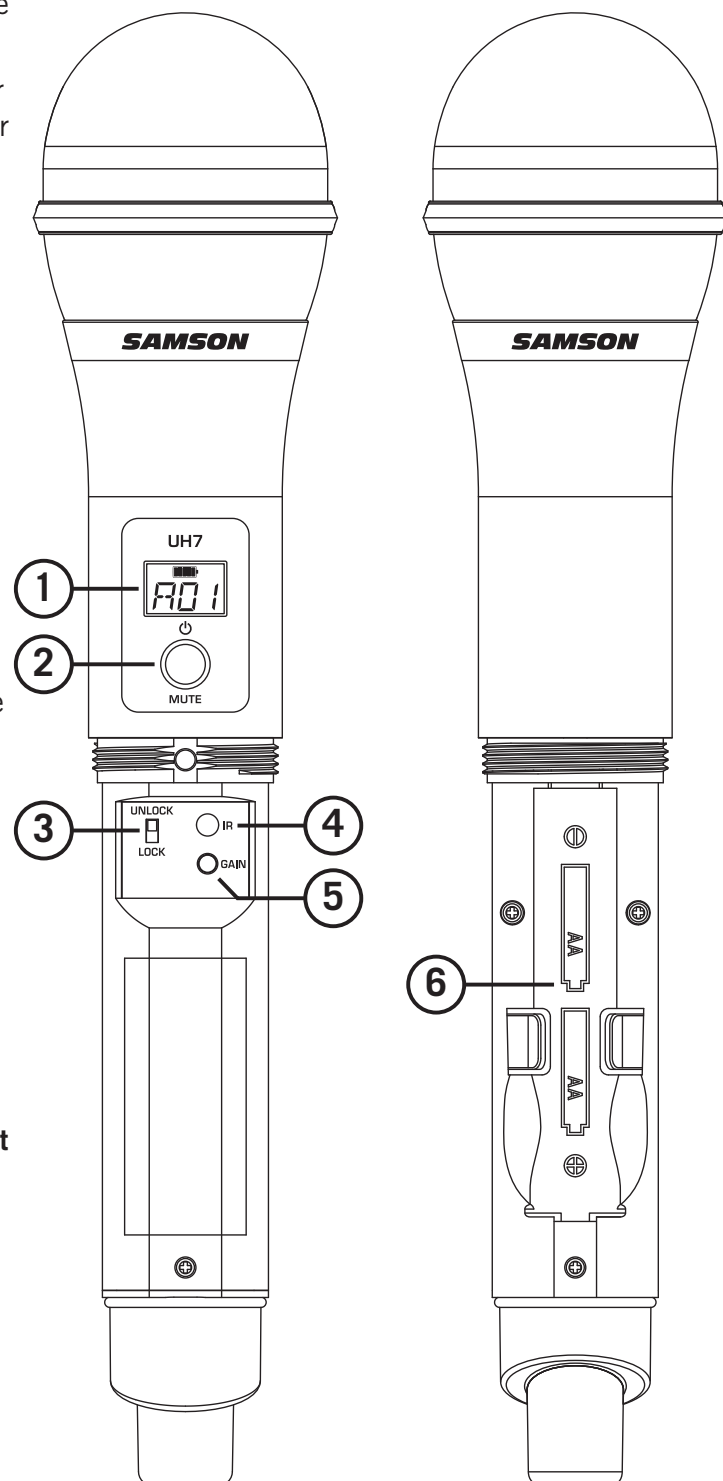
- 1. Connecteur d'entrée** - Brancher le dispositif d'entrée via le connecteur mini-XLR.
- 2. Bouton Marche/Arrêt / Coupure** - Appuyer et maintenir enfoncé pour allumer ou éteindre l'appareil. Appuyer et relâcher pour couper ou réenclencher l'émetteur.
- 3. Antenne** - Antenne de l'émetteur fixée en permanence.
- 4. Clip ceinture** - Servez-vous de ce clip pour fixer l'émetteur à une ceinture ou à une lanière de guitare.
- 5. Bouton UNLOCK/LOCK** - Verrouiller les commandes du système empêche la coupure son accidentelle ou le réglage des canaux pendant le spectacle.
- 6. Réglage du GAIN à l'Entrée** - Ce réglage permet d'ajuster la sensibilité à l'entrée de l'émetteur pour travailler avec les signaux d'entrée du micro et des instruments. Pour des performances optimales, régler le GAIN à l'entrée où on voit l'indicateur PEAK UR7 se mettre à s'allumer lors des niveaux élevés, puis s'éteindre lentement jusqu'à ce que le témoin PEAK ne s'allume plus ou clignote par intermittences seulement pendant l'entrée la plus forte que chaque canal connaîtra.
- 7. Logement de piles** - Insérer deux piles AA (LR6) standard ici, en s'assurant de bien respecter les repères de polarité plus et moins. Bien qu'on puisse utiliser des batteries rechargeables Ni-Cad, elles ne fournissent pas suffisamment de courant pendant plus de quatre heures.
AVERTISSEMENT : Ne pas introduire les piles en les inversant ; cela risque de détériorer gravement l'UR7 et annulera votre garantie.
- 8. Témoin d'Etat** - Ce témoin LED s'allumera en vert lorsque l'émetteur sera mis en marche ; il s'allumera en rouge lorsque l'émetteur sera coupé.
- 9. Afficheur LCD** - Affiche les informations concernant le groupe, le canal et le niveau des piles.
- 10. Lentille IR** - Cette fenêtre sert à capter le signal infrarouge émis par l'UR7 pendant le REGLAGE IR pour choisir le bon canal sur l'émetteur.



Appels sur UH7

1. **Afficheur LCD** - Affiche les informations concernant le groupe actuel, le canal et le niveau des piles.
2. **Bouton Marche/Arrêt / Coupure** - Appuyer et maintenir enfoncé pour allumer ou éteindre l'appareil. Appuyer et relâcher pour couper le son de l'émetteur ou le rétablir.
3. **Bouton UNLOCK/LOCK** - Verrouiller les commandes du système empêche la coupure son accidentelle ou le réglage des canaux pendant le spectacle.
4. **Lentille IR** - Cette fenêtre sert à capter le signal infrarouge émis par l'UR7 pendant le REGLAGE IR pour choisir le bon canal sur l'émetteur. Le cache du logement à piles doit être ouvert et la Lentille IR tournée vers le récepteur pour charger le canal sélectionné.
5. **Bouton de Gain à l'Entrée** - Il permet de régler la sensibilité à l'entrée de l'émetteur. Appuyer pour régler le gain. Pour des performances optimales, régler le GAIN à l'entrée où on voit l'indicateur PEAK UR7 se mettre à s'allumer à des niveaux élevés, puis faiblir jusqu'à ce que le témoin PEAK ne s'allume plus.
6. **Logement à piles** - Ouvrir le logement à piles en appuyant sur la languette et en soulevant le couvercle. Insérer deux piles AA (LR6) standard ici, en s'assurant de bien respecter les repères de polarité plus et moins indiqués. Bien qu'on puisse utiliser des batteries rechargeables Ni-Cad, elles ne fournissent pas suffisamment de courant pendant plus de quatre heures.


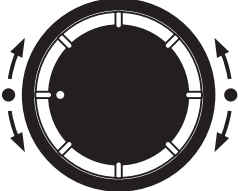
AVERTISSEMENT : Ne pas introduire les piles en les inversant ; cela risque de détériorer gravement l'UR7 et annulera votre garantie.



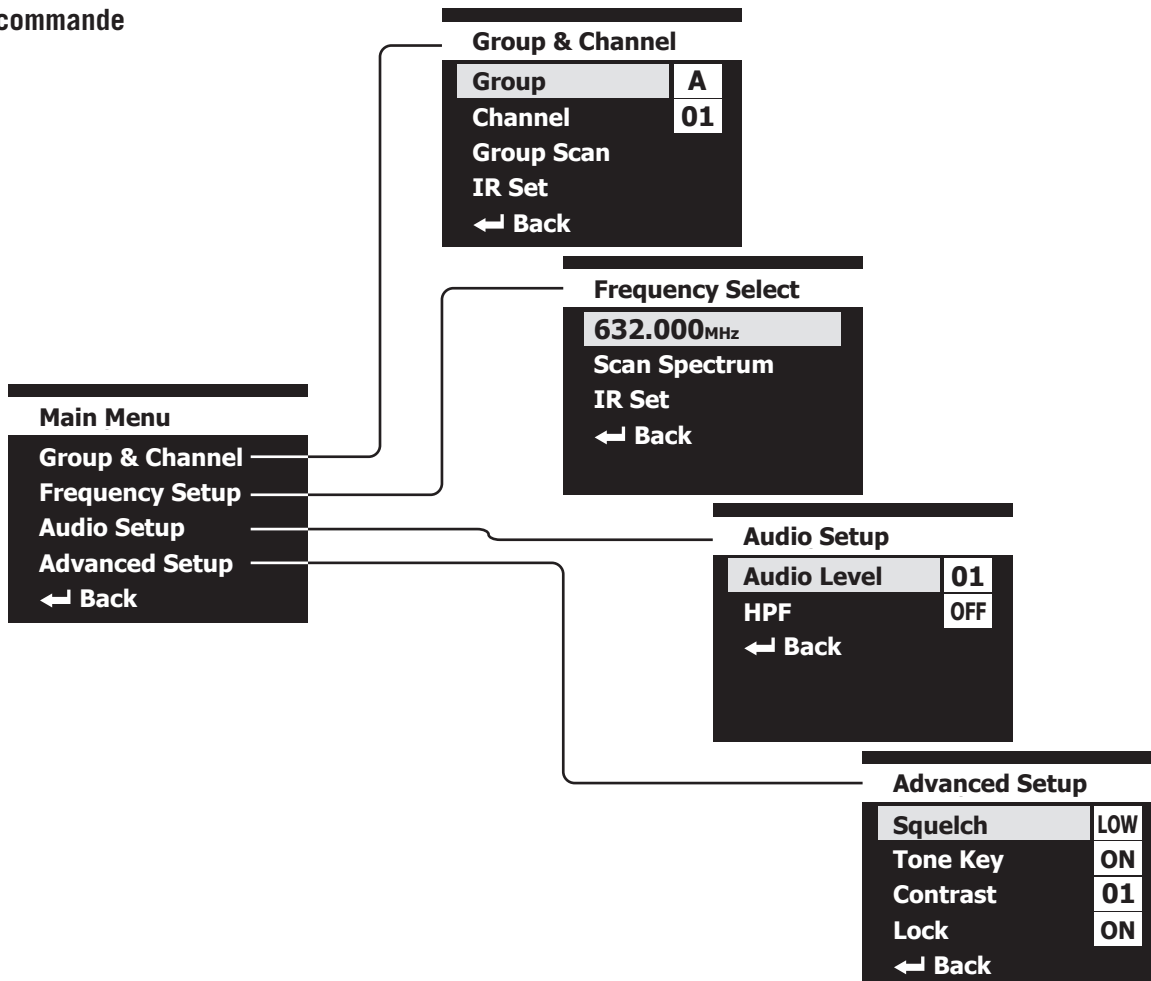
Menu d'utilisation de l'UR7

Le récepteur de l'UR7 présente un menu convivial comportant des fonctionnalités étendues et des paramètres réglables. Ceci permet de configurer rapidement le récepteur et l'émetteur pour le spectacle.

Commandes

 <p>POWER</p>	Appuyer dessus et le maintenir enfoncé allumera et éteindra le récepteur.
	Une brève pression annule une saisie et revient au menu courant.
	Une brève pression permet de revenir en arrière dans les menus.
 <p>MENU/SELECT</p>	Appuyez pour accéder aux menus.
	Entrer dans un sous-menu.
	Sélectionne un paramètre à régler.
	Confirme et enregistre un réglage, puis revient au menu courant.
	Tourner pour faire défiler en boucle les choix disponibles au menu.
Tourner pour faire défiler en boucle les paramètres disponibles.	

Menus de commande



Paramètres des menus

Group & Channel (Groupe & Canal)

Group (Groupe)	Règle manuellement le Groupe en fonctionnement
Channel (Canal)	Règle manuellement le canal ainsi que le Groupe sélectionné.
Group Scan (Parcourir le Groupe)	Parcourt les canaux du groupe actuel sélectionné et sélectionne le signal le plus net à utiliser pour des performances optimum.
IR Set (Réglage IR)	Envoie les informations concernant le groupe et le canal vers les émetteurs UH7 et UB7 en passant par le réglage des infrarouges.

Group & Channel	
Group	A
Channel	01
Group Scan	
IR Set	
← Back	

Frequency Select (Sélection de Fréquence)

Fréquence	Régler manuellement la fréquence de fonctionnement du récepteur UR7.
Scan Spectrum (Spectre de Balayage)	Parcourt toute la bande de fréquences du récepteur UR7 et sélectionne le signal le plus net à utiliser pour des performances optimum.
IR Set (Réglage IR)	Envoie les informations concernant la fréquence de fonctionnement vers les émetteurs UH7 et UB7 en passant par le réglage des infrarouges.

Frequency Select	
632.000MHz	
Scan Spectrum	
IR Set	
← Back	

Audio Setup (Config. Audio)

Audio Level (Niveau du signal audio)	Règle le niveau du signal audio sortant par les jacks de sortie à balance et sans balance, situés sur la façade arrière.
HPF	Active un filtre passe-haut sur la sortie audio. C'est utile lorsqu'on utilise le récepteur avec un micro baladeur pour réduire les basses fréquences qu'on ne veut voir captées par le micro. C'est utile pour supprimer le vacarme de la scène.

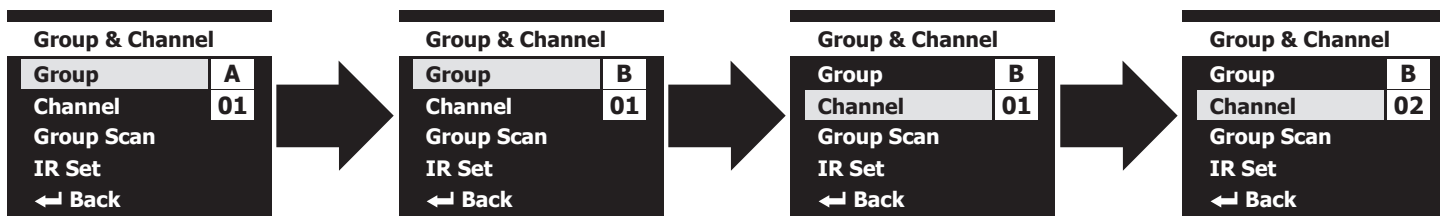
Audio Setup	
Audio Level	01
HPF	OFF
← Back	

Advanced Setup (Config. Avancée)

Squelch (Blocage de réception)	Règle le seuil du blocage réception.
Tone Key (Manipulation du timbre)	Active ou désactive la Manipulation du Timbre. C'est utile pour configurer le système. En fonctionnement normal, la Manipulation du Timbre devra être activée.
Contraste	Régler le contraste de l'afficheur récepteur.
Verrouiller	Verrouille les réglages du récepteur.

Advanced Setup	
Squelch	LOW
Tone Key	ON
Contrast	01
Lock	ON
← Back	

Menu Groupe & Canal



Sur la page principale des performances, appuyer sur le bouton MENU/SELECT pour accéder au Menu Principal. Le curseur étant placé sur GROUP & CHANNEL (GROUPE & CANAL), appuyer sur le bouton MENU/SELECT pour ouvrir le sous-menu GROUP & CHANNEL.

Pour paramétrer Groupe et Canal

Déplacer le curseur pour sélectionner le paramètre GROUPE.

Appuyer sur le bouton MENU/SELECT pour régler le paramètre.

Faire tourner le bouton MENU/SELECT pour régler la lettre correspondant au groupe.

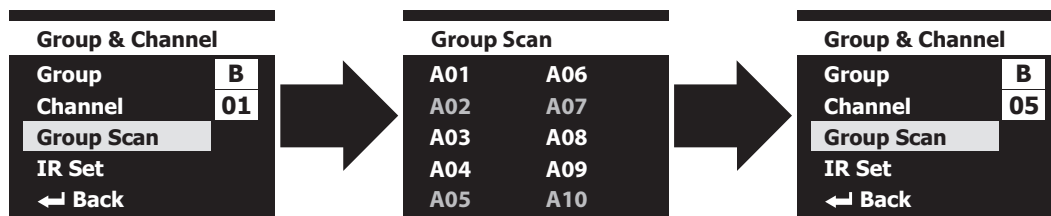
Appuyer sur le bouton MENU/SELECT pour confirmer et enregistrer le paramètre, puis appuyer sur le bouton POWER (Marche/Arrêt) pour annuler la sélection et revenir au sous-menu GROUP & CHANNEL (Groupe & Canal).

Déplacer le curseur pour sélectionner le paramètre CHANNEL (Canal).

Appuyer sur le bouton MENU/SELECT pour régler le paramètre.

Tourner le bouton MENU/SELECT pour régler le numéro de canal.

Appuyer sur le bouton MENU/SELECT pour confirmer et enregistrer le paramètre, puis appuyer sur le bouton POWER (Marche/Arrêt) pour annuler la sélection et revenir au sous-menu GROUP & CHANNEL (Groupe & Canal).



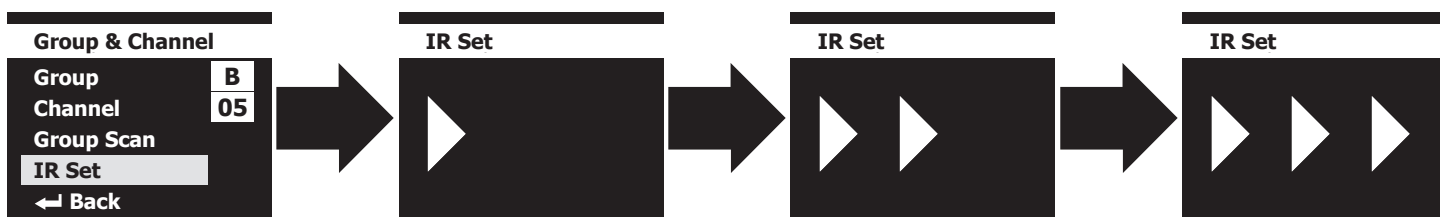
Faire défiler le Groupe à la recherche d'un canal net

Déplacer le curseur pour sélectionner le paramètre SCAN GROUP (PARCOURIR LE GROUPE).

Appuyer sur le bouton MENU/SELECT pour activer la fonction Défiler.

L'affichage met les canaux ouverts en surbrillance en vert et en rouge les canaux qui ont des interférences.

Lorsque vous sélectionnez un groupe pour un système multiple, vous pouvez utiliser ceci comme un étalon. En scannant chaque groupe, vous pouvez trouver le groupe qui possède le plus grand nombre de canaux libres.



Régler le groupe et le canal de l'émetteur

Déplacer le curseur pour sélectionner le paramètre IR SCAN (Défilement IR).

Appuyer sur le bouton MENU/SELECT pour activer la fonction IR SET (Réglage IR). Pendant que le Réglage IR est en cours, positionner l'émetteur à environ 6 à 12" (15 à 30 cm) de la façade avant du récepteur UR7, fenêtre à IR de l'émetteur faisant face à l'émetteur IR situé à l'avant du récepteur.

Menu Frequency Select (Sélection de Fréquence)



Sur la page principale des performances, appuyer sur le bouton MENU/SELECT pour accéder au Menu Principal. Le curseur étant placé sur FREQUENCY SETUP (CONFIG. FREQUENCE), appuyer sur le bouton MENU/SELECT pour ouvrir le sous-menu FREQUENCY SETUP.

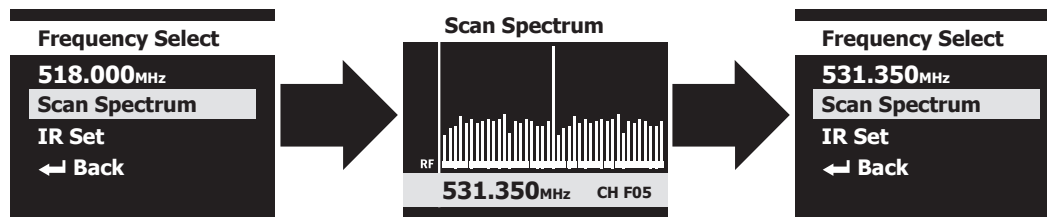
Réglage de la Fréquence de fonctionnement

Déplacer le curseur pour sélectionner le paramètre Frequency (Fréquence).

Appuyer sur le bouton MENU/SELECT pour régler le paramètre.

Tourner le bouton MENU/SELECT pour régler la fréquence de spectacle.

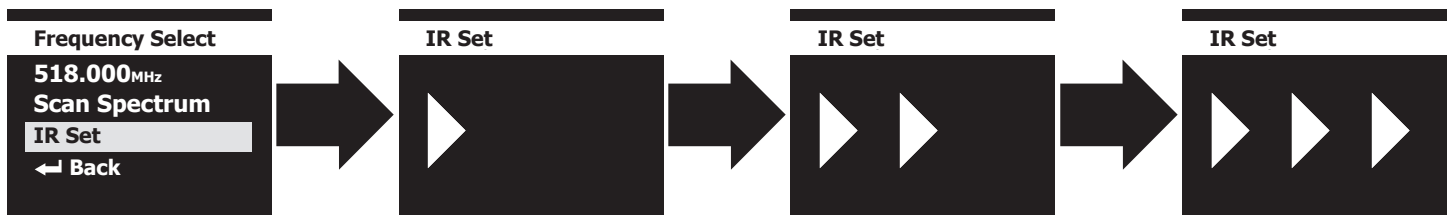
Appuyer sur le bouton MENU/SELECT pour confirmer et enregistrer le paramètre, ou appuyer sur le bouton POWER (Marche/Arrêt) pour annuler la sélection et revenir au sous-menu FREQUENCY SETUP (Config. de Fréquence).



Faire défiler la bande de fréquences à la recherche d'un canal net

Déplacer le curseur pour sélectionner le paramètre SCAN SPECTRUM (PARCOURIR LE SPECTRE).

Appuyer sur le bouton MENU/SELECT pour activer la fonction Défiler.

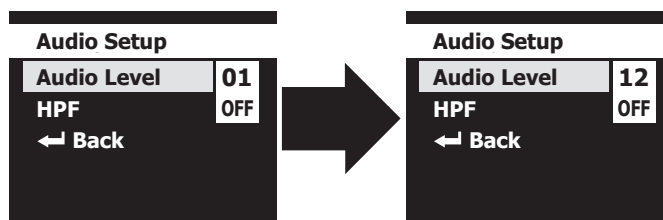


Régler le groupe et le canal de l'émetteur

Déplacer le curseur pour sélectionner le paramètre IR SCAN (Défilement IR).

Appuyer sur le bouton MENU/SELECT pour activer la fonction IR SET (Réglage IR). Pendant que le Réglage IR est en cours, positionner l'émetteur à environ 6 à 12" (15 à 30 cm) de la façade avant du récepteur UR7, fenêtre à IR de l'émetteur faisant face à l'émetteur IR situé à l'avant du récepteur.

Audio Setup (Config. Audio)



Sur la page principale des performances, appuyer sur le bouton MENU/SELECT pour accéder au Menu Principal. Le curseur étant placé sur AUDIO SETUP (CONFIG. AUDIO), appuyer sur le bouton MENU/SELECT pour ouvrir le sous-menu AUDIO SETUP.

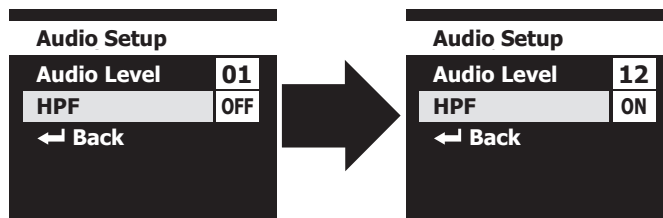
Réglage du niveau audio

Déplacer le curseur pour sélectionner le paramètre AUDIO LEVEL (Niveau Audio).

Appuyer sur le bouton MENU/SELECT pour régler le paramètre.

Tourner le bouton MENU/SELECT pour régler le niveau de sortie.

Appuyer sur le bouton MENU/SELECT pour confirmer et enregistrer le paramètre, ou appuyer sur le bouton POWER (Marche/Arrêt) pour annuler la sélection et revenir au sous-menu AUDIO LEVEL (Niveau Audio).



Activer le Filtre Passe-Haut

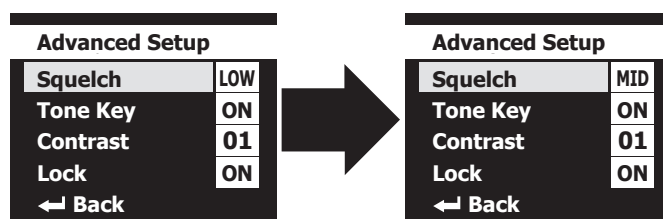
Déplacer le curseur pour sélectionner le paramètre HPF.

Appuyer sur le bouton MENU/SELECT pour régler le paramètre.

Tourner le bouton MENU/SELECT pour activer ou désactiver le Filtre passe-haut (HPF).

Appuyer sur le bouton MENU/SELECT pour confirmer et enregistrer le paramètre, ou appuyer sur le bouton POWER (Marche/Arrêt) pour annuler la sélection et revenir au sous-menu AUDIO LEVEL (Niveau Audio).

Advanced Setup (Config. Avancée)



Sur la page principale des performances, appuyer sur le bouton MENU/SELECT pour accéder au Menu Principal. Le curseur étant placé sur ADVANCED SETUP (CONFIG. AVANCEE), appuyer sur le bouton MENU/SELECT pour ouvrir le sous-menu ADVANCED SETUP.

Régler le seuil de silencieux

Déplacer le curseur pour sélectionner le paramètre SQUELCH (Silencieux).

Appuyer sur le bouton MENU/SELECT pour régler le paramètre. Tourner le bouton

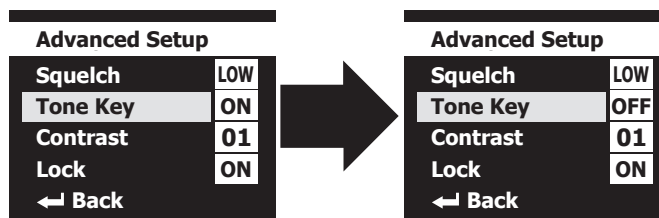
MENU/SELECT pour régler le niveau du seuil. Appuyer sur le bouton MENU/

SELECT pour confirmer et enregistrer le paramètre. Appuyer sur le bouton

MARCHE/ARRET pour annuler la sélection et revenir au sous-menu ADVANCED LEVEL (NIVEAU AVANCE).

Le réglage du seuil de Silencieux est utile pour améliorer la réception audio entre le récepteur et l'émetteur lorsqu'il y a interférences RF. A mesure que le seuil de silencieux augmente, la plage globale se réduit. Toujours démarrer en ayant le silencieux au réglage minimum.

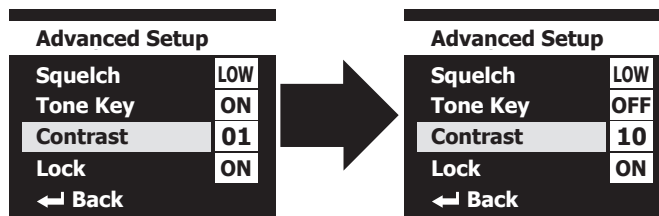
Advanced Setup (Config. Avancée)



Activer la Manipulation du Timbre

Déplacer le curseur pour sélectionner le paramètre TONE KEY (Manipulation du Timbre). Appuyer sur le bouton MENU/SELECT pour régler le paramètre. Tourner le bouton MENU/SELECT pour activer ou désactiver la Manipulation du Timbre. Appuyer sur le bouton MENU/SELECT pour confirmer et enregistrer le paramètre. Appuyer sur le bouton MARCHÉ/ARRÊT pour annuler la sélection et revenir au sous-menu ADVANCED LEVEL (NIVEAU AVANCE).

Le Calage du Timbre ou Tone Key est une fréquence inaudible émise en même temps que le signal audio. Il aide à réduire les interférences audio provenant d'autres appareils à radiofréquences. En diagnostiquant les problèmes audio pour les supprimer, il peut être utile de couper le calage du timbre. Pour les meilleures performances, il est conseillé d'avoir le Calage du Timbre activé en permanence.



Régler le Contraste de l'Ecran

Déplacer le curseur pour sélectionner le paramètre CONTRAST (Contraste). Appuyer sur le bouton MENU/SELECT pour régler le paramètre. Tourner le bouton MENU/SELECT pour régler le niveau du contraste. Appuyer sur le bouton MENU/SELECT pour confirmer et enregistrer le paramètre. Appuyer sur le bouton MARCHÉ/ARRÊT pour annuler la sélection et revenir au sous-menu ADVANCED LEVEL (NIVEAU AVANCE).



Verrouiller les réglages du récepteur

Déplacer le curseur pour sélectionner le paramètre LOCK (Verrouillage). Appuyer sur le bouton MENU/SELECT pour régler le paramètre. Tourner le bouton MENU/SELECT pour activer le Verrouillage du récepteur. Appuyer sur le bouton MENU/SELECT pour confirmer et enregistrer le paramètre. Appuyer sur le bouton MARCHÉ/ARRÊT pour annuler la sélection et revenir au sous-menu ADVANCED LEVEL (NIVEAU AVANCE).

Si le Verrouillage est activé, le récepteur doit être déverrouillé avant de pouvoir régler quelques paramètres que ce soit. Pour déverrouiller le récepteur, appuyer sur le bouton MENU/SELECT et le maintenir enfoncé jusqu'à ce que l'icône LOCK (Verrouillage) clignote. Tourner le bouton MENU/SELECT jusqu'à ce que l'icône affiche Déverrouiller, puis appuyer sur le bouton MENU/SELECT pour confirmer.

Montage sur rack

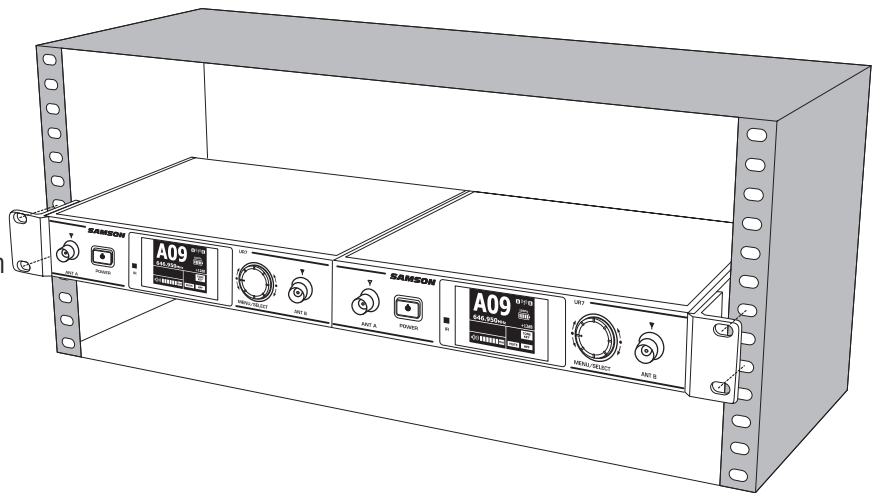
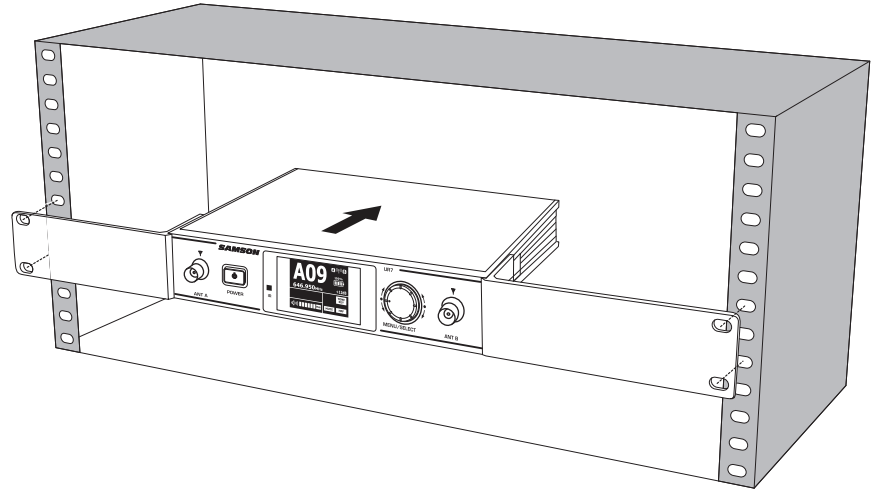
Le récepteur UR7 peut être installé à l'intérieur d'un rack standard de 19" en vue du transport ou d'une installation permanente en se servant des pattes du rack.

Disposer les pattes du rack de chaque côté du récepteur UR7. Fixer les pattes du rack à leur place à l'aide des vis fournies.

Positionner le récepteur UR7 dans un logement de rack disponible et le glisser à l'intérieur jusqu'à ce que les pattes du rack touchent les glissières du boîtier du rack et soient alignées sur les trous des glissières du rack.

Fixer le récepteur dans le rack à l'aide des vis de rack aux bonnes dimensions (non jointes). Pour garantir un serrage égal et un bon équilibre en installant le récepteur, vous devrez serrer les vis en entrecroisant les angles opposés : en haut à gauche -> en bas à droite -> en haut à droite -> en bas à gauche.

Il existe un kit de montage en rack à double récepteur (RKUR7) pour installer deux récepteurs UR7 dans un logement à rack. Ce kit comporte deux courtes poignées de rack, un raccord central et une plaque articulée arrière.



ENGLISH

FRANÇAIS

DEUTSCHE

ESPAÑOL

ITALIANO

Plans de fréquences

Groupe C 638-668 MHz										
	A	B	C`	D	E	F	G	H	I	J
1	638,000	638,200	638,225	638,300	638,425	638,950	639,000	639,200	639,225	639,300
2	640,525	640,725	640,750	640,825	640,950	641,475	641,525	641,725	641,750	641,825
3	643,150	643,350	643,375	643,450	643,575	644,100	644,150	644,350	644,375	644,450
4	645,875	646,075	646,100	646,175	646,300	646,825	646,875	647,075	647,100	647,175
5	648,700	648,900	648,925	649,000	649,125	649,650	649,700	649,900	649,925	650,000
6	651,650	651,850	651,875	651,950	652,075	652,600	652,650	652,850	652,875	652,950
7	654,725	654,925	654,950	655,025	655,150	655,675	655,725	655,925	655,950	656,025
8	657,925	658,125	658,150	658,225	658,350	658,875	658,925	659,125	659,150	659,225
9	661,250	661,450	661,475	661,550	661,675	662,200	662,250	662,450	662,475	662,550
10	664,700	664,900	664,925	665,000	665,125	665,650	665,700	665,900	665,925	666,000

Groupe I 518-547 MHz										
	A	B	C`	D	E	F	G	H	I	J
1	518,000	518,200	518,225	518,300	518,425	518,950	520,000	520,200	520,225	520,300
2	521,025	521,225	521,250	521,325	521,450	521,975	522,775	522,975	523,000	523,075
3	524,100	524,300	524,325	524,400	524,525	525,050	525,600	525,800	525,825	525,900
4	527,225	527,425	527,450	527,525	527,650	528,175	528,475	528,675	528,700	528,775
5	530,400	530,600	530,625	530,700	530,825	531,350	531,400	531,600	531,625	531,700
6	533,600	533,800	533,825	533,900	534,025	534,550	534,350	534,550	534,575	534,650
7	536,850	537,050	537,075	537,150	537,275	537,800	537,350	537,550	537,575	537,650
8	540,150	540,350	540,375	540,450	540,575	541,100	540,400	540,600	540,625	540,700
9	543,475	543,675	543,700	543,775	543,900	544,425	543,475	543,675	543,700	543,775
10	546,850	547,050	547,075	547,150	547,275	547,800	546,600	546,800	546,825	546,900

Groupe F* 606-634 MHz										
	A	B	C`	D	E	F	G	H	I	J
1	606,000	606,200	606,225	606,300	606,425	606,950	607,000	607,200	607,225	607,300
2	608,525	608,725	608,750	608,825	608,950	609,475	609,525	609,725	609,750	609,825
3	611,150	611,350	611,375	611,450	611,575	612,100	612,150	612,350	612,375	612,450
4	613,875	614,075	614,100	614,175	614,300	614,825	614,875	615,075	615,100	615,175
5	616,700	616,900	616,925	617,000	617,125	617,650	617,700	617,900	617,925	618,000
6	619,650	619,850	619,875	619,950	620,075	620,600	620,650	620,850	620,875	620,950
7	622,725	622,925	622,950	623,025	623,150	623,675	623,725	623,925	623,950	624,025
8	625,925	626,125	626,150	626,225	626,350	626,875	626,925	627,125	627,150	627,225
9	629,250	629,450	629,475	629,550	629,675	630,200	630,250	630,450	630,475	630,550
10	632,700	632,900	632,925	633,000	633,125	633,650	633,700	633,900	633,925	634,000

* Non utilisable aux Etats-Unis ni au Canada. Pour toutes questions sur les canaux disponibles dans votre secteur, contactez le revendeur Samson le plus proche.

Caractéristiques techniques

Systeme

Portée	300' (100 m) en visibilité directe
Réponse en fréq. audio	50 Hz à 15 kHz
T.H.D. (global)	<1% (@AF 1 kHz, RF 46 dBu)
Gamme dynamique	>100 dB à pondér. A
Rapport signal/bruit	>90 dB
Température de fonctmt	-10°C (14°F) à +60°C (+140°F)
Fréquence de calage timbre	32,768KHz

Emetteur à module ceinture UB7

Connecteur d'entrée	Mini-XLR (P3)
Impédance d'entrée	1 MΩ
Gamme de gain d'entrée	38 dB
Puissance RF	10 mW EIRP
Alim.	deux piles alcalines AA (LR6)
Autonomie des piles	jusqu'à 15 heures
Dimensions (h x l x p)	2,4" x 0,78" x 3,5" (62 x 20 x 90 mm)
Poids	5 oz / 139,4 g

Emetteur portable UH7

Elément micro	Q8 dynamique
Gamme de gain d'entrée	28 dB
Puissance RF	10 mW EIRP
Alim.	deux piles alcalines AA (LR6)
Autonomie des piles	jusqu'à 15 heures
Dimensions (h x Ø)	10,5" x 2,2" (266 x 55 mm)
Poids	11oz / 310,2g

Récepteur UR7

Niv. de sortie audio	sans balance +14 dBu / avec balance +9 dBu
Impédance de sortie audio	sans balance 810 ohms / avec balance 240 ohms
Sensibilité	-100 dBm / SINAD 30 dB
Réjection d'Image	>50 dB
Tension de fonctionnement :	15 V
Dimensions	8,5" x 1,8" x 7,4" - 215 x 45 x 189 mm
Poids :	3,1 lb / 1,4 kg

Chez Samson, nous améliorons nos produits en permanence ; certaines images et caractéristiques techniques sont donc susceptibles d'évoluer sans préavis.


FCC Warnung von Verbrauchern hinsichtlich Funkmikrofone

Die meisten Benutzer benötigen keine Lizenz, um dieses drahtlose Mikrofonsystem zu betreiben. Dennoch unterliegt der Betrieb dieses Mikrofonsystem ohne Lizenz bestimmten Einschränkungen: Das System darf keine schädlichen Störungen verursachen; es muss bei einer niedrigen Leistungsstufe betrieben werden (nicht mehr als 50 Milliwatt); und es keinen Schutz vor Störungen, die von einem anderen Gerät empfangen werden. Käufer sollten sich auch bewusst sein, dass die FCC derzeit den Einsatz von drahtlosen Mikrofonsystemen untersucht und kann diese Regeln jederzeit ändern. Rufen Sie für weitere Informationen die FCC unter 1-888-CALL-FCC (TTY: 1-888-TELL-FCC) an oder besuchen Sie FCCs Website zu kabellosen Mikrofonen unter www.fcc.gov/cgb/wirelessmicrophones.

Wichtige Sicherheitsinformationen

1. Lesen Sie diese Anweisungen.
2. Bewahren Sie diese Anweisungen auf.
3. Beachten Sie alle Warnungen.
4. Folgen Sie allen Anweisungen.
5. Benutzen Sie das Gerät nicht in der Nähe von Wasser.
6. Reinigen Sie es nur mit einem trockenen Tuch.
7. Verschließen Sie keine Ventilationsöffnungen. Installieren Sie das Gerät gemäß den Anweisungen des Herstellers.
8. Installieren Sie es nicht in der Nähe von Wärmequellen wie Radiatoren, Heizkörpern, Öfen oder anderen Geräten (einschließlich Verstärker), die Hitze erzeugen.
9. Umgehen Sie nicht die Sicherheitsfunktion des polarisierten oder geerdeten Steckers. Ein polarisierter Stecker besteht aus zwei Flachkontakten, wobei einer breiter ist als der andere. Ein Stecker mit Erdung besteht aus zwei Flachkontakten und einem dritten runden Erdungsstift. Der breite Flachkontakt und der Erdungsstift werden aus Sicherheitsgründen integriert. Wenn der mitgelieferte Stecker nicht in Ihre Steckdose passt, bitten Sie einen Elektriker, die obsoletere Steckdose auszutauschen.
10. Schützen Sie das Stromversorgungskabel davor, dass man darauf tritt und dass es geknickt wird, vor allem an den Steckern, Buchsenteilen und an den Punkten, an denen das Kabel aus dem Gerät kommt.
11. Benutzen Sie nur die vom Hersteller spezifizierten Zubehörteile.
12. Benutzen Sie nur Wagen, Ständer, Stative, Halter oder Tische, die vom Hersteller angegeben werden oder passend zum Gerät erhältlich sind. Wenn ein Wagen eingesetzt wird, sollten Sie vorsichtig sein, wenn Sie den Wagen und das Gerät bewegen, um Verletzungen durch Umkippen zu vermeiden.
13. Ziehen Sie den Stecker des Geräts bei Gewittern oder wenn es längere Zeit nicht benutzt wird aus der Steckdose.
14. Übergeben Sie das Gerät zur Reparatur nur qualifiziertem Personal. Wenn das Gerät in irgendeiner Weise beschädigt wurde, zum Beispiel wenn das Stromversorgungskabel oder der Stecker beschädigt sind, Flüssigkeit ausgelaufen ist oder ein Objekt in das Gerät gefallen ist oder das Gerät Regen oder Feuchtigkeit ausgesetzt wurde, es nicht normal funktioniert oder gefallen ist, muss es von einer Fachkraft werden.
15. Dieses Gerät darf nicht Wasserspritzern oder einem Wasserstrahl ausgesetzt werden und es darf keine Vase oder ein mit Wasser gefülltes Objekt auf das Gerät gestellt werden.
16. Achtung - um einen elektrischen Schock zu vermeiden, muss der breite Flachkontakt vollkommen in die breite Buchse eingeführt werden.
17. Bitte achten Sie darauf, dass die gesamte Umgebung um das Gerät gut gelüftet ist.
18. Der Hauptstecker ist als Abschaltvorrichtung ausgelegt. Die Abschaltvorrichtung muss immer betriebsbereit sein.
19. Die Batterie (Batterie oder Batterien oder Batteriepaket) darf keiner Hitze etwa Sonneneinstrahlung, Feuer oder ähnlichen Einwirkungen ausgesetzt werden.



 Wenn Sie das Produkt entsorgen möchten, geben Sie es nicht in den Hausmüll. In Übereinstimmung mit der Gesetzgebung existiert ein separates Sammelsystem für elektrische und elektronische Produkte. Diese Gesetze fordern eine angemessene Behandlung, Verwertung und Wiederaufbereitung solcher Geräte. Private Haushalte in den 28 Mitgliedsstaaten der EU, in der Schweiz und Norwegen können ihre elektronischen Produkte kostenlos an eine Sammelstelle oder den Händler abgeben (wenn Sie ein ähnliches Produkt wieder erwerben).

Verbraucher in Ländern, die nicht oben genannt werden, kontaktieren bitte ihre lokalen Behörden, um Informationen über eine korrekte Entsorgung zu erhalten.

Sie werden so sicherstellen, dass Ihr Produkt der notwendigen Behandlung, Verwertung und Wiederaufbereitung unterzogen wird und eventuelle negative Auswirkungen auf die Umwelt und die Gesundheit vermieden werden.

Wichtige Sicherheitsinformationen

FCC und Industry Canada Regelungen und Verordnungen

Samson Funkempfänger werden nach FCC, Teil 15 zertifiziert und die Sender sind nach FCC Teil 74 zertifiziert. Die Lizenzierung von Samson Ausrüstung liegt in der Verantwortung des Benutzers. Die Erteilung einer Lizenz hängt von der Klassifizierung des Benutzers, der Anwendung und der gewählten Frequenz ab.

Dieses Gerät entspricht RSS-210 der Industrie & Wissenschaft Kanadas. Der Betrieb unterliegt folgenden beiden Bedingungen:

- (1) dieses Gerät darf keine schädlichen Störungen verursachen, und
- (2) dieses Gerät muss alle Störungen vertragen, einschließlich Störungen, die unerwünschte Funktionen verursachen können.

ANMERKUNG: Dieses Gerät wurde getestet und entsprechend der FCC Regelungen, Teil 15, als mit der Class B Digital Device Grenzen konform eingestuft. Diese Grenzen wurden festgelegt, um einen angemessenen Schutz gegen gefährliche Interferenzen in einer Haushalts-Umgebung zu bieten. Dieses Gerät erzeugt und verwendet Hochfrequenzenergie. Wenn es nicht in Übereinstimmung mit den Anleitungen installiert und verwendet wird, kann es Störungen des Rundfunkempfangs verursachen. Bei keiner Installation können Störungen jedoch völlig ausgeschlossen werden. Wenn das Gerät starke Interferenzen bei Radio- und Fernsehgerät hervorruft, was durch Aus- und Einschalten des Geräts geprüft werden kann, wird dem Benutzer empfohlen, die Störungen durch eine oder mehrere der folgenden Maßnahmen zu unterbinden:

- Die Position oder die Richtung der Empfängerantenne ändern.
- Den Abstand zwischen Gerät und Receiver erhöhen.
- Das Gerät mit einer Steckdose eines anderen internen Kreises verbinden als den, mit dem der Empfänger verbunden ist.
- Fragen Sie Ihren Händler oder bitten Sie einen erfahrenen Radio- und Fernsehtechniker um Hilfe.

WARNUNG: Änderungen oder Modifikationen, die nicht ausdrücklich von der Institution genehmigt wurden, die für die Konformität mit den geltenden Verordnungen verantwortlichen ist, können zum Verlust der Betriebserlaubnis des Geräts führen.

R&TTE

Dieses Gerät ist für den Einsatz bei Anwendungen für drahtlose Mikrofone vorgesehen.

Gerät ist für den Verkauf bestimmt in: AT, BE, CH, CY, CZ*, DK, EE, FI*, FR*, DE*, GR*, HU, IE, IS, IT, LV, LT*, LU, MT*, NL, NO*, PL*, PT, RO, SK, SI, ES, SE, UK

*Unterliegt der Lizenzierung. Bitte kontaktieren Sie Ihre nationale Frequenzbehörde für Informationen über eine mögliche legale Nutzung in Ihrer Nähe. Irgendwelche Änderungen oder Modifikationen, die nicht ausdrücklich von Samson Technologies Corp. erlaubt wurden, können zum Verlust der Betriebserlaubnis des Geräts führen.

CE Erklärung

Wir, Samson Technologies Corporation, mit Sitz in der 45 Gilpin Ave, Hauppauge, NY 11788 USA, erklären in alleiniger Verantwortung, dass diese Geräte den grundlegenden Anforderungen der R&TTE Richtlinie 1999/5/EG entsprechen, wenn sie in Übereinstimmung mit den Installationsanweisungen, die in der Produktdokumentation enthalten sind, installiert worden sind. Dies bedeutet, dass die unten angegebenen Normen und / oder technischen Spezifikationen wie angegeben angewendet wurden:

EN60065:2002+A1:2006+A11:2008+A2:2010+A12:2011

EN 301 489-1 V1.9.2:2011

EN301 489-9 V1.4.1:2007

EN 300 422-1 V1.4.2:2011

EN300 422-2 V1.3.1:2011

Jahr der CE Kennzeichnung (Niederspannungsrichtlinie): 2014

Die Produkte müssen die CE Kennzeichnung enthalten und weisen die Kennnummer der gemeldeten Stelle **0700** auf. Dieses Gerät führen auch die Klasse 2 Geräte -ID.

CE 0700 

Einführung

Herzlichen Glückwunsch für den Kauf des kabellosen Samson Synth 7 Systems! Das Synth 7 ist die ideale Lösung für den aktiven Performer, der ein zuverlässiges, gut klingendes System für drahtlose Anwendungen benötigt.

Das Synth 7 System verfügt über Vollmetall- Komponenten mit leicht ablesbaren Displays und erweiterte Menüfunktionen für einen nahtlosen Betrieb. Das Synth 7 ist in fünf Konfigurationen erhältlich. Das tragbare Vokal- System umfasst den tragbare UH7 Sender und die dynamische Q8 Mikrofonkapsel. Das UB7 System mit Gürtelhalter kann entweder mit dem SE10 Earset Mikrofon, LM10 Lavalier Mikrofon oder einem ¼" Instrumentenkabel konfiguriert werden. Für unterwegs oder eine Festinstallation enthält das Synth 7 System ein Standard 19" Rackmount Kit.

Auf diesen Seiten werden Sie eine detaillierte Beschreibung der Eigenschaften und Funktionen sowie Anweisungen zur Einstellung und Nutzung des kabellosen Synth 7 Systems, Schritt-für-Schritt Anleitungen für die Einstellung und Verwendung sowie eine Liste aller Spezifikationen finden. Wenn Sie kabelloses System in den Vereinigten Staaten erworben haben, werden Sie ebenfalls im Lieferumfang eine Garantiekarte finden — vergessen Sie bitte nicht, sie auszufüllen und einzusenden, so dass Sie Online-Support in Anspruch nehmen können und wir Ihnen aktualisierte Informationen über dieses und andere Samson Produkte zusenden können. Besuchen Sie ebenfalls unsere Website (www.samsontech.com), um Informationen über unser komplettes Produktangebot zu erhalten.

Wir empfehlen Ihnen, die folgenden Daten sowie eine Kopie der Kaufquittung gut aufzubewahren.

Seriennummer Empfänger _____

Seriennummer Sender _____

Kaufdatum: _____

Name des Händlers: _____

Mit der richtigen Pflege und Wartung wird Ihr kabelloses Synth 7 System viele Jahre lang problemlos eingesetzt werden können. Falls Ihr kabelloses System je eine Reparatur benötigen sollte, ist eine Return Authorization (RA) Nummer [Rücksende-Genehmigungsnummer] erforderlich, bevor Sie Ihr Gerät an die Samson schicken. Ohne diese Nummer wird das Gerät nicht angenommen. Bitte rufen Sie Samson unter 1-800-3SAMSON (1-800-372-6766) an und erbitten Sie eine RA Nummer, bevor Sie die Einheit einschicken. Bitte bewahren Sie das originale Verpackungsmaterial auf und schicken Sie das Gerät wenn möglich in der originalen Verpackung ein. Wenn Ihr Synth 7 System außerhalb der Vereinigten Staaten erworben wurde, kontaktieren Sie bitte Ihren lokalen Händler bezüglich der Details zur Garantie und für Service- und Wartungsinformationen.

Funktionen

- Professionelles, kabelloses UHF System
- Scan Modus und Spektrumanalysator auf dem Bildschirm findet optimale Kanäle für störungsfreien Betrieb
- Pilot Tone Squelch / Auto Mute Funktion eliminieren RF Rauschen, wenn der Sender stumm geschaltet wird
- Erhöhter Dynamikbereich, um die stärksten Eingänge zu handhaben
- Vollfarben- LCD Empfänger
- Sender LCD zeigt Akkustand und die Kanalnummer an
- Der Sender bietet mit zwei AA Batterien bis zu 15 Stunden kontinuierliche Betriebszeit
- 100 Meter Reichweite
- Vollmetall, in Racks montierbare Komponenten stellen eine hohe Haltbarkeit auf für unterwegs sicher

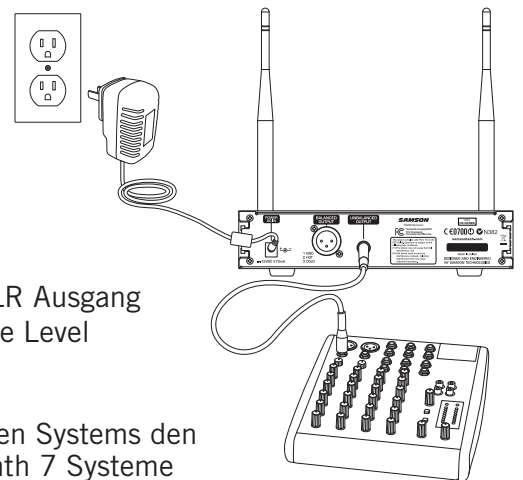
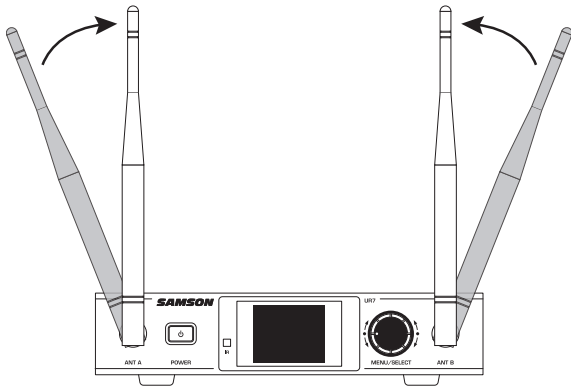
Kurze Betriebsanleitung

Damit Ihr Wireless System einwandfrei funktioniert, müssen sowohl Sender und als auch Empfänger auf den gleichen Kanal eingestellt werden.

Einstellen des Empfängers:

Platzieren Sie den UR7 Empfänger dort, wo er verwendet wird. Allgemeine Daumenregel ist dabei, die "Sichtverbindung" zwischen dem Empfänger und dem / den Sender(n) zu halten, so dass die Person / Personen, die den Sender nutzen, den Empfänger sehen können.

Verbinden Sie die Antenne und positionieren Sie sie vertikal.



Schließen Sie das mitgelieferte Netzteil an eine Steckdose an.

Schließen Sie den UR7 Empfänger Ausgang über den symmetrischen XLR Ausgang oder unsymmetrischen 1/4" Line Level Ausgang an das Mikrofon oder Line Level Eingang eines Mischpults oder Verstärkers an.

Einstellen des Empfängerkanal - Stellen Sie bei Verwendung eines einzigen Systems den Empfänger mit dem Frequenzwahl- Menü ein. Wenn Sie mehrere Synth 7 Systeme verwenden, verwenden Sie das Group & Channel Menü, damit jedes System zur gleichen Gruppe zugeordnet wird, um die Zahl der kompatiblen Kanäle zu maximieren

Setup eines einzelnen Systems

Betätigen und halten Sie den Netzschalter, um den UR7 Receiver einzuschalten. Das Display des Empfängers wird leuchten.

Betätigen Sie die Menu / Select Taste, um in das Hauptmenü zu gelangen. Drehen Sie den Menu / Select Regler so, dass FREQUENCY SELECT gewählt ist, und betätigen Sie dann die MENU / SELECT Taste.

Scrollen Sie nach unten und markieren Sie SCAN SPECTRUM und betätigen Sie dann die MENU / SELECT Taste. Der Empfänger wird das Wireless Spektrum scannen und einen verfügbaren Kanal wählen.



Kurze Betriebsanleitung

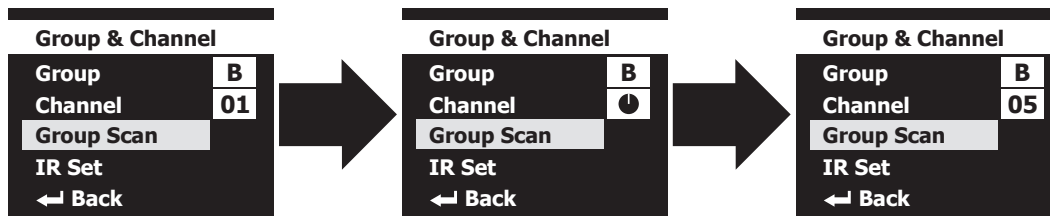
Setup eines mehrfachen Systems

Betätigen und halten Sie den Netzschalter, um den UR7 Receiver einzuschalten.

Betätigen Sie die Menu / Select Taste, um in das Hauptmenü zu gelangen. Drehen Sie den Menu / Select Regler so, dass GROUP & CHANNEL gewählt ist, und betätigen Sie dann die MENU / SELECT Taste.

Stellen Sie jeden Empfänger auf die gleiche Gruppe ein. Wählen Sie GROUP und betätigen Sie die Taste MENU / SELECT Taste. Der Group Buchstabe wird anfangen zu blinken. Drehen Sie den MENU / SELECT Regler, bis Sie die gewünschte Gruppe ausgewählt haben, und betätigen Sie dann die MENU / SELECT Taste, um die Empfänger- Gruppe festzulegen.

Wählen Sie GROUP SCAN und betätigen Sie die Taste MENU / SELECT Taste. Die UR7 Empfänger wird die ausgewählte Gruppe nach einem verfügbaren Kanal durchsuchen.



Einstellen des Senders:

Legen Sie zwei neue AA Batterien in das UB7 Gürtelpaket oder den tragbaren UH7 Sender. Betätigen und halten Sie den Netzschalter, um den Sender einzuschalten.

Scrollen Sie am UR7 Empfänger nach unten bis IR- SET und betätigen Sie die MENU / SELECT Taste.

Positionieren Sie den Sender etwa 6-12" (15-30 cm) von der Vorderseite des UR7 Empfängers entfernt, wobei das IR Fenster des Senders auf den IR Sender in Richtung IR Sender an der Frontplatte des Empfängers gerichtet sein sollte. Das IR Fenster des UH7 Sender befindet sich im Batteriefach. Die IR Fenster des UB7 ist befindet sich neben dem LCD Display.

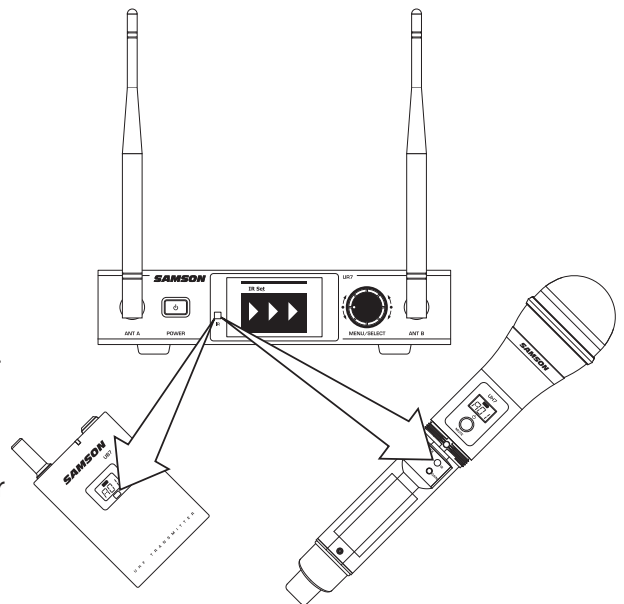
Wenn die Übertragung abgeschlossen ist, wählen Sie BACK oder betätigen Sie den Netzschalter am UR7 Empfänger, um zur Hauptleistungsanzeige zurück zu kehren.

Lassen Sie den Sender eingeschaltet und gesperrt, sobald ein Sender und Empfänger Paar eingestellt ist, bevor Sie die Gruppe nach dem nächsten verfügbaren Kanal scannen. Dadurch wird verhindert, dass der Empfänger einen Kanal auswählt, der Störungen verursachen kann.

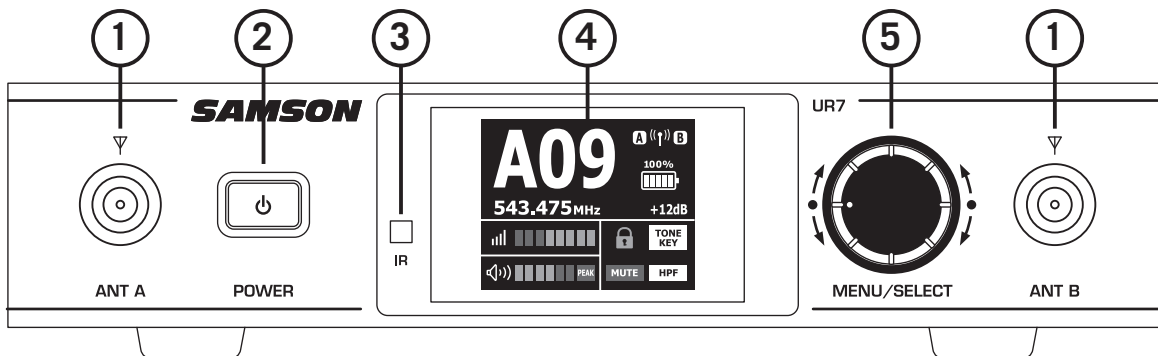
Einstellen des Leistungsniveaus

Sprechen oder singen Sie in das Mikrophon, oder wenn Sie den Sender mit einem Gerät verbunden haben, spielen Sie das Instrument bei normalem Leistungsniveau. Heben Sie dann langsam die Lautstärke des Verstärkers oder des Mischpults an, bis der gewünschte Pegel erreicht ist.

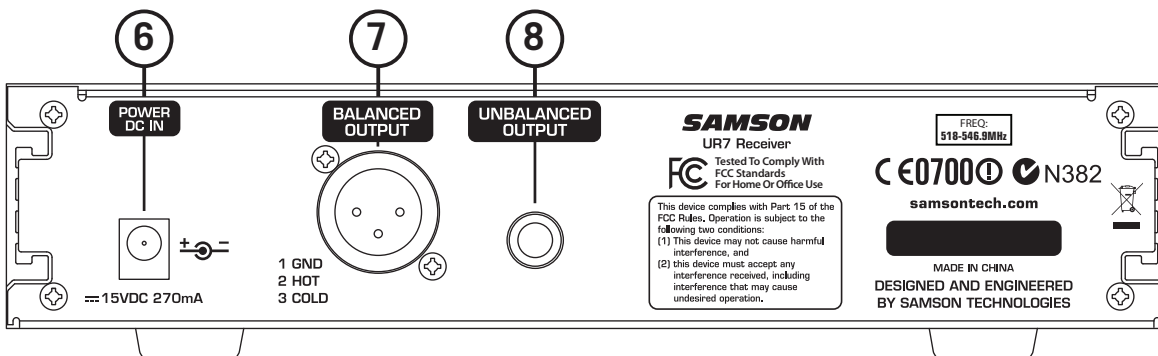
Wenn beim System Aussetzer zu hören sind, reduzieren Sie die Übertragungsdistanz oder unerwartete plötzliche Geräusche, ändern Sie den Betriebskanal des Systems mit Hilfe der oben beschriebenen Schritte.



UR7 Receiver Angaben



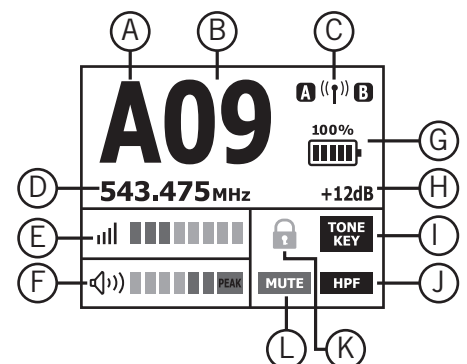
- 1. Antennenstecker** - Der BNC Antennenstecker ermöglicht eine volle Umdrehung für eine optimale Stellung. Bei normalem Betrieb sollen sich beide Antennen in vertikaler Position befinden.
- 2. POWER Schalter** - Betätigen und halten Sie ihn, um den Empfänger ein- oder auszuschalten. Ein kurzes Betätigen der Taste wird Sie zurück durch die Menüs führen.
- 3. IR Sender** - Während "IR SET" wird ein Infrarot Code verwendet (ähnlich wie bei der Auswahl eines Kanals bei der TV Fernsteuerung), um den Sender Kanal einzustellen.
- 4. Farb- LCD** - Zeigt Sender- und Empfänger- Einstellungen und Leistungsdaten an.
- 5. MENU / SELECT Regler** - Dieser Drehknopf / diese Taste wird dazu verwendet, Menü Funktionen und Parameter zu steuern und einzustellen.



- 6. DC Eingang** - Schließen Sie das mitgelieferte Netzteil hier an. **WARNUNG:** Ersetzen Sie ihn nicht durch irgendein anderes Netzteil. dies kann schwere Schäden am UR7 verursachen und die Garantie wird dadurch ungültig.
- 7. SYMMETRISCHER XLR AUSGANG** - Elektronisch geregelter symmetrischer Mikrofonpegel Ausgang.
- 8. 1/4" UNSYMMETRISCHER AUSGANG** - Unsymmetrischer Instrumentpegel Ausgang mit oder Impedanz.

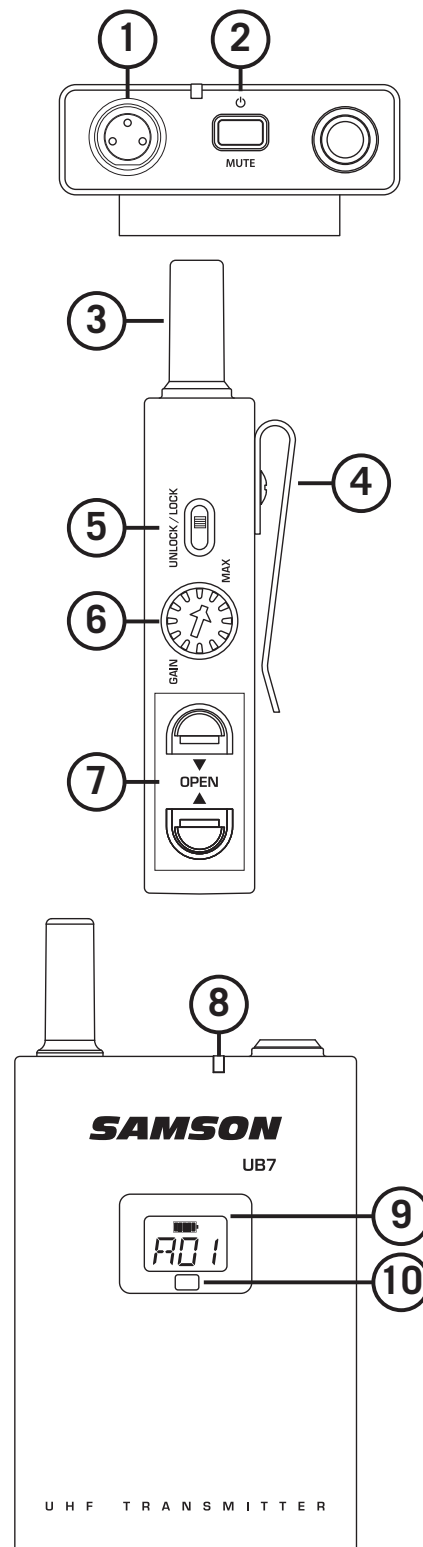
LCD Display

- | | |
|---------------------------------|----------------------------------|
| A. Gruppe | G. Batteriestandsanzeige Sender |
| B. Kanal | H. Audio Ausgangslevel Empfänger |
| C. Indikator für aktive Antenne | I. Tontaste aktiv Indikator |
| D. Betriebsfrequenz: | J. High Pass Filter Indikator |
| E. RF Signal Anzeige | K. Empfänger sperren |
| F. Audio Anzeige | L. Mute Anzeige Sender |



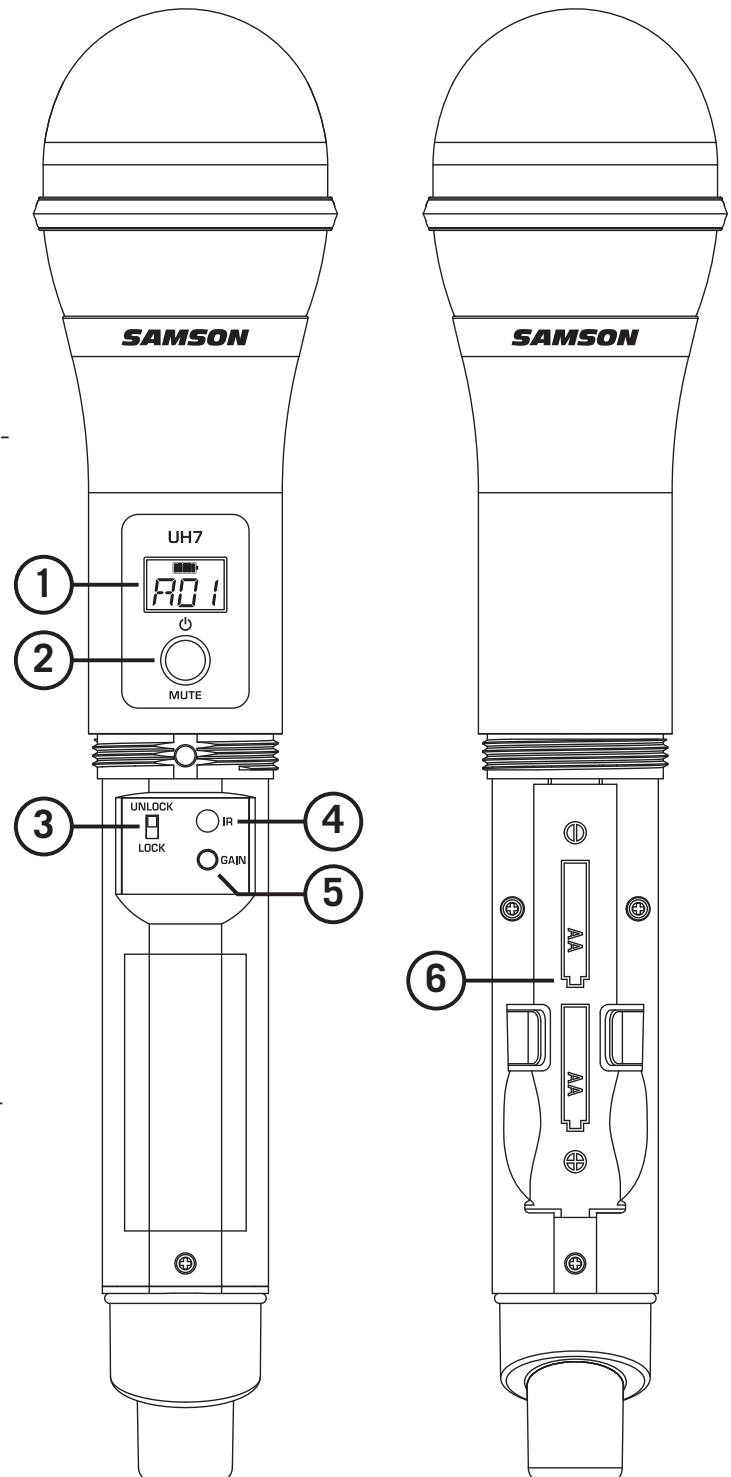
UB7 Angaben

- 1. Anschluss Eingang** - Schließen Sie das Eingabegerät über den Mini-XLR Anschluss an.
- 2. Power/Mute Schalter** - Betätigen Sie ihn, um das Gerät ein- oder auszuschalten. Drücken Sie die Mute Taste und lassen Sie sie los, um den Sender stummzuschalten oder wieder zu aktivieren.
- 3. Antenne** - Fest montierte Sendeantenne.
- 4. Gürtel- Clip** - Verwenden Sie es, um den Sender an einem Gürtel oder Gitarrengurt zu befestigen.
- 5. UNLOCK / LOCK -Schalter** - Sperren der Systemsteuerungen verhindert versehentliches Stummschalten oder Einstellen der Kanäle während der Performance.
- 6. Input GAIN Regler** - Dieser Regler bestimmt die Eingangsempfindlichkeit des Senders, um mit Mikrofon und Instrumenten-Eingängen betrieben werden zu können. Um eine optimale Leistung zu erreichen, stellen Sie den GAIN Regler, bis die UR7 PEAK Anzeige bis zu hohen Niveaus ausschlägt. Drehen Sie den Regler herunter, bis die PEAK Anzeige nicht mehr oder nur noch gelegentlich aufleuchtet bei sehr lauten Signalen.
- 7. Batteriehalter** - Setzen Sie hier zwei Standard AA (LR6) Batterien ein. Achten Sie darauf, dass Sie dabei die dargestellten Polaritätsmarkierungen einhalten. Obwohl aufladbare Ni-Cad Batterien eingesetzt werden können, liefern diese nicht ausreichend Energie für mehr als vier Stunden.
WARNUNG: Setzen Sie die Batterie nicht umgekehrt ein; dies kann schwere Schäden am UR7 verursachen und die Garantie wird dadurch ungültig.
- 8. Statusanzeige** - Diese LED leuchtet grün auf, wenn der Sender eingeschaltet ist, und leuchtet rot auf, wenn der Sender stummgeschaltet ist.
- 9. LCD Display** - Zeigt die Gruppe, den Kanal und den Batteriestand an.
- 10. IR Fenster** - Dieses Fenster wird verwendet, um das Infrarotsignal zu empfangen, das von dem UR7 während des IR-SET verschickt wird, um den Kanal des Sender einzustellen.



UH7 Angaben

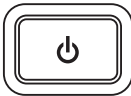
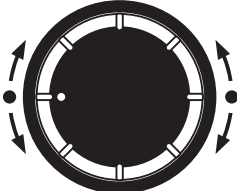
1. **LCD Display** - Zeigt die aktuelle Gruppe, den Kanal und den Batteriestand an.
2. **Power/Mute Schalter** - Betätigen und halten Sie ihn, um das Gerät ein- oder auszuschalten. Drücken Sie die Mute Taste und lassen Sie sie los, um den Sender stummzuschalten oder wieder zu aktivieren.
3. **UNLOCK / LOCK** -Schalter - Sperren der Systemsteuerungen verhindert versehentliches Stummschalten oder Einstellen der Kanäle während der Performance.
4. **IR Fenster** - Dieses Fenster wird verwendet, um das Infrarotsignal zu empfangen, das von dem UR7 während des IR-SET verschickt wird, um den Kanal des Senders einzustellen. Der Batteriefach Deckel muss geöffnet sein und das IR Fenster in Richtung des Empfängers gerichtet sein, um den ausgewählten Kanal zu laden.
5. **Eingangsspegel Taste** - Diese Taste stellt die Eingangsempfindlichkeit des Senders ein. Betätigen Sie ihn, um die Gain Einstellung zu aktivieren. Um eine optimale Leistung zu erreichen, stellen Sie den Eingangsspegel Regler, bis die UR7 PEAK Anzeige bis zu hohen Niveaus ausschlägt. Drehen Sie den Regler herunter, bis die PEAK Anzeige nicht mehr aufleuchtet.
6. **Batteriehalter** - Öffnen Sie den Batteriehalter, indem die Lasche drücken und die Abdeckung anheben. Legen Sie hier zwei Standard AA (LR6) Batterien ein. Achten Sie dabei auf die markierte Plus- und Minus Polarisierung. Obwohl aufladbare Ni-Cad Batterien eingesetzt werden können, liefern diese nicht ausreichend Energie für mehr als vier Stunden.
WARNUNG: Setzen Sie die Batterie nicht umgekehrt ein; dies kann schwere Schäden am UH7 verursachen und die Garantie wird dadurch ungültig.



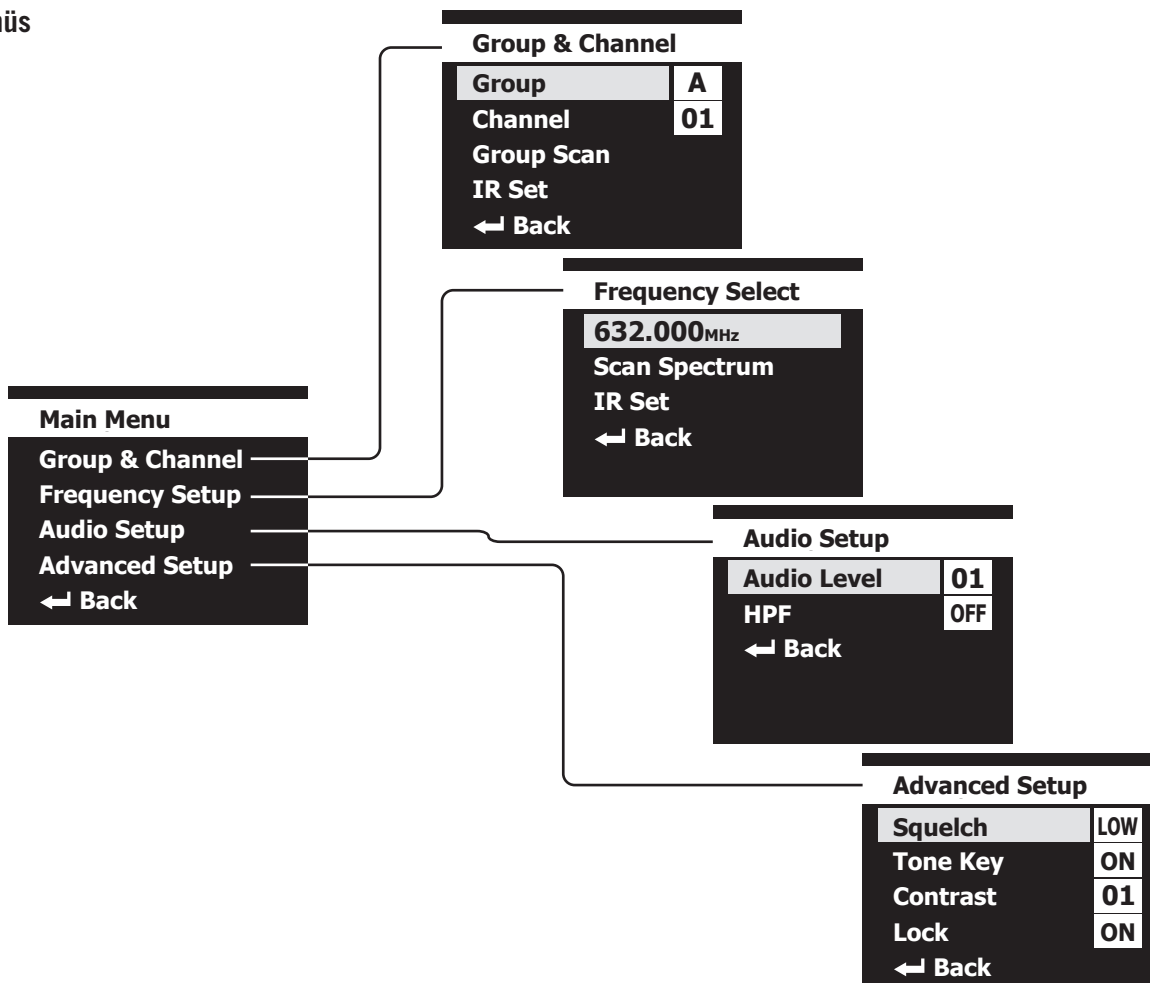
UR7 Bedienmenü

Die UR7 Empfänger besitzt ein benutzerfreundliches Bedienmenü mit umfangreichen Funktionen und einstellbaren Parametern. Dies ermöglicht es dem Empfänger und Sender, schnell und einfach für die Performance eingestellt zu werden.

Steuerungen

<p>POWER Taste</p>  <p>POWER</p>	<p>Betätigen und halten Sie sie, um den Empfänger ein- und auszuschalten</p> <p>Kurz Betätigen löscht einen Eintrag und kehrt zum aktuellen Menü zurück</p> <p>Kurzes Betätigen führt Sie zurück durch die Menüs.</p>
<p>MENU / SELECT Taste und Regler</p>  <p>MENU/SELECT</p>	<p>Betätigen Sie sie, um die Menüs aufzurufen</p> <p>Ruft ein Untermenü auf</p> <p>Auswahl eines einzustellenden Parameters</p> <p>Bestätigt und speichert einen Eintrag und kehrt zum aktuellen Menü zurück</p> <p>Drehen Sie ihn, um durch die verfügbaren Menüoptionen zu scrollen</p> <p>Drehen Sie ihn, um durch die verfügbaren Parameter zu scrollen</p>

Bedienmenüs



Menüparameter

Group & Channel

Group / Gruppe	Stellt manuell die Betriebsgruppe ein
Channel / Kanal	Stellt manuell den Kanal der ausgewählten Gruppe ein
Group Scan / Gruppen- Scan	Scannt die Kanäle der aktuell ausgewählten Gruppe und wählt das sauberste Signal für eine optimale Performance
IR Set	Sendet über das Infrarot- Set die Gruppen- und Kanalinformationen an den UH7 und UB7 Sender.

Group & Channel	
Group	A
Channel	01
Group Scan	
IR Set	
← Back	

Frequenzauswahl

Frequenz	Manuelle Einstellung der Betriebsfrequenz des UR7 Empfängers.
Scan Spektrum	Scannt das gesamte Frequenzband des UR7 Empfängers und wählt das sauberste Signal für eine optimale Performance.
IR Set	Sendet über das Infrarot- Set die Frequenzinformationen an den UH7 und UB7 Sender.

Frequency Select	
632.000^{MHz}	
Scan Spectrum	
IR Set	
← Back	

Audio Setup

Audio Level	Stellt den Pegel des Ausgangssignals für sowohl unsymmetrische als auch symmetrische Ausgangsstecker auf der Rückseite des Geräts ein.
HPF	Aktiviert einen Hochpassfilter am Audio Ausgang. Dies ist nützlich, wenn Sie einen Receiver mit einem Handmikrofon nutzen, um niedrigere Frequenzen zu dämpfen, die das Mikrofon nicht aufnehmen soll. Dies ist nützlich, um Trittschall auf der Bühne zu eliminieren.

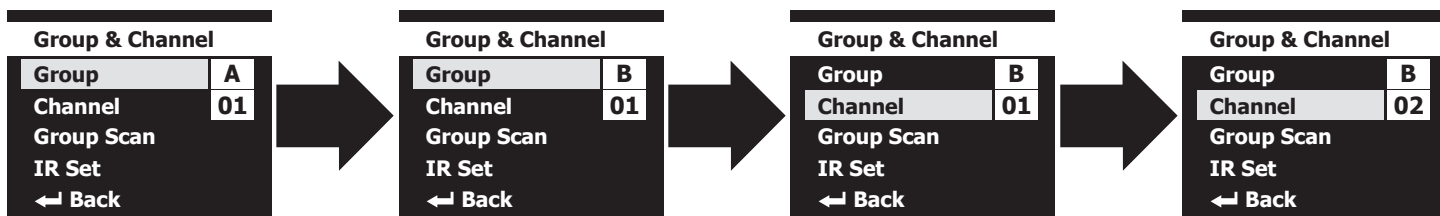
Audio Setup	
Audio Level	01
HPF	OFF
← Back	

Erweitertes Setup

Squelch / Rauschunterdrückung	Stellt den Rauschunterdrückungs- Schwellwert ein
Tone Key / Tontaste	Aktiviert oder deaktiviert die Tontaste. Dies ist nützlich bei der Einrichtung des Systems. Im Normalbetrieb sollte die Tontaste aktiviert werden.
Kontrast	Stellt den Kontrast des Empfängers ein.
Lock / Sperren	Sperrt die Regler des Empfängers.

Advanced Setup	
Squelch	LOW
Tone Key	ON
Contrast	01
Lock	ON
← Back	

Group & Channel / Gruppe & Kanal Menü



Betätigen Sie in der Haupt-Performance- Seite die MENU / SELECT, um in das Hauptmenü zu gelangen.

Wählen Sie GROUP & CHANNEL, betätigen Sie die MENU / SELECT Taste, um in das GROUP & CHANNEL Untermenü zu gelangen.

Einstellen der Gruppe und des Kanals

Drehen Sie den Cursor auf den Parameter GROUP.

Betätigen Sie die MENU / SELECT Taste, um die Einstellung zu ändern.

Drehen Sie den MENU / SELECT Knopf, um den Gruppenbuchstaben einzustellen.

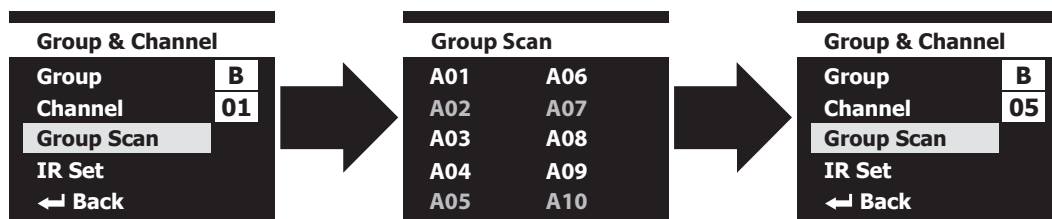
Betätigen Sie die MENU / SELECT Taste, um die Auswahl zu bestätigen und zu speichern und betätigen Sie die POWER Taste, um die Auswahl abubrechen und zurück in das GROUP & CHANNEL Untermenü zu gelangen.

Drehen Sie den Cursor auf den Parameter CHANNEL.

Betätigen Sie die MENU / SELECT Taste, um die Einstellung zu ändern.

Drehen Sie den MENU / SELECT Knopf, um die Kanalzahl einzustellen.

Betätigen Sie die MENU / SELECT Taste, um die Auswahl zu bestätigen und zu speichern und betätigen Sie die POWER Taste, um die Auswahl abubrechen und zurück in das GROUP & CHANNEL Untermenü zu gelangen.

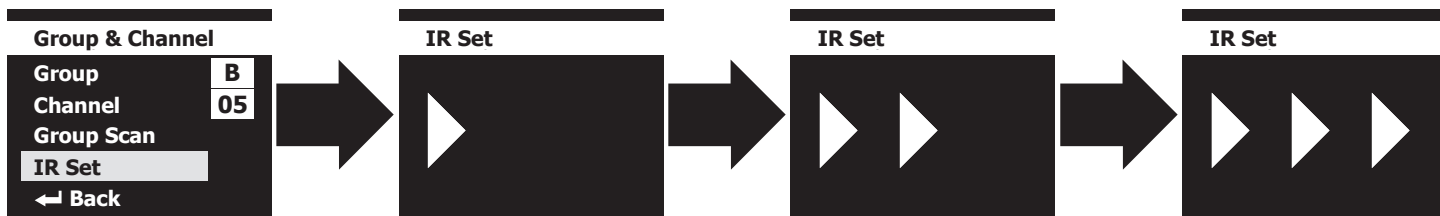


Scannen der Gruppe für einen freien Kanal

Drehen Sie den Cursor auf den Parameter SCAN GROUP.

Betätigen Sie die MENU / SELECT Taste, um die Scan Funktion zu aktivieren.

Das Display stellt offene Kanäle grün dar und Kanäle, die Störungen aufweisen, rot. Sie können dies bei der Auswahl einer Gruppe für ein Mehrfach-System als Maßstab verwenden. Durch das Scannen jeder Gruppe können Sie die Gruppe mit der größten Anzahl an freien Kanälen feststellen.



Einstellen der Sendergruppe und des Kanals

Drehen Sie den Cursor auf den Parameter IR SCAN.

Betätigen Sie die MENU / SELECT Taste, um die IR SET Funktion zu aktivieren. Positionieren Sie beim IR SET den Sender etwa 6-12" (15-30 cm) von der Vorderseite des UR7 Empfängers entfernt, wobei das IR Fenster des Senders auf den IR Sender an der Frontplatte des Empfängers gerichtet sein sollte.

Menü Frequenzauswahl



Betätigen Sie in der Haupt-Performance- Seite die MENU / SELECT, um in das Hauptmenü zu gelangen. Wählen Sie FREQUENCY SETUP, betätigen Sie die MENU / SELECT Taste, um in das FREQUENCY SETUP Untermenü zu gelangen.

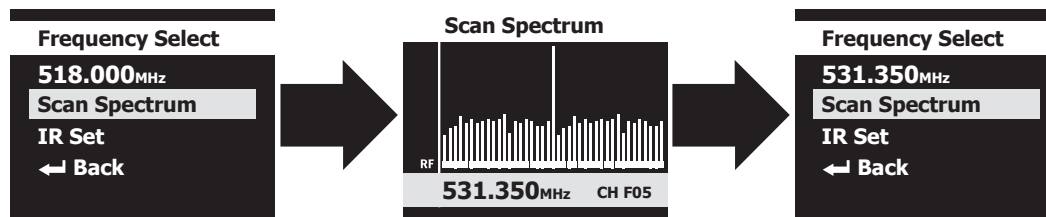
Einstellen der Betriebsfrequenz

Drehen Sie den Cursor auf den Parameter FREQUENCY.

Betätigen Sie die MENU / SELECT Taste, um die Einstellung zu ändern.

Drehen Sie den MENU / SELECT Knopf, um die Frequenz einzustellen.

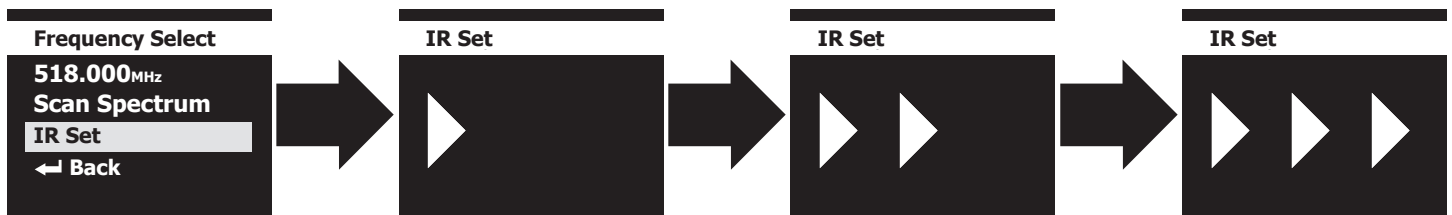
Betätigen Sie die MENU / SELECT Taste, um die Auswahl zu bestätigen, und speichern Sie die Einstellung und betätigen Sie die POWER Taste, um die Auswahl abzubrechen und zurück in das FREQUENCY SETUP Untermenü zu gelangen.



Scannen des Frequenzbandes für einen freien Kanal

Drehen Sie den Cursor auf den Parameter SCAN SPECTRUM.

Betätigen Sie die MENU / SELECT Taste, um die Scan Funktion zu aktivieren.

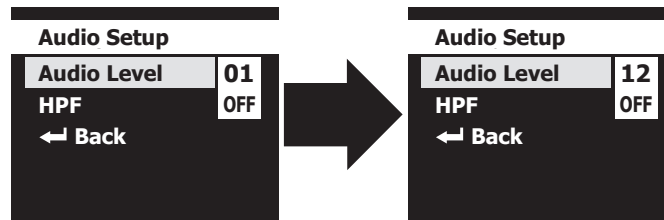


Einstellen der Sendergruppe und des Kanals

Drehen Sie den Cursor auf den Parameter IR SCAN.

Betätigen Sie die MENU / SELECT Taste, um die IR SET Funktion zu aktivieren. Positionieren Sie beim IR SET den Sender etwa 6-12" (15-30 cm) von der Vorderseite des UR7 Empfängers entfernt, wobei das IR Fenster des Senders auf den IR Sender an der Frontplatte des Empfängers gerichtet sein sollte.

Audio Setup



Betätigen Sie in der Haupt-Performance- Seite die MENU / SELECT, um in das Hauptmenü zu gelangen. Wählen Sie AUDIO SETUP, betätigen Sie die MENU / SELECT Taste, um in das AUDIO SETUP Untermenü zu gelangen.

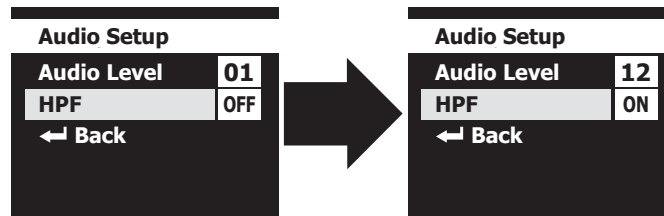
Einstellen des Audio Pegels

Drehen Sie den Cursor auf den Parameter AUDIO LEVEL.

Betätigen Sie die MENU / SELECT Taste, um die Einstellung zu ändern.

Drehen Sie den MENU / SELECT Knopf, um den Ausgangspegel einzustellen.

Betätigen Sie die MENU / SELECT Taste, um die Einstellung zu bestätigen und zu speichern und betätigen Sie die POWER Taste, um die Auswahl abubrechen und zurück in das AUDIO LEVEL Untermenü zu gelangen.



Aktivieren des High Pass Filters

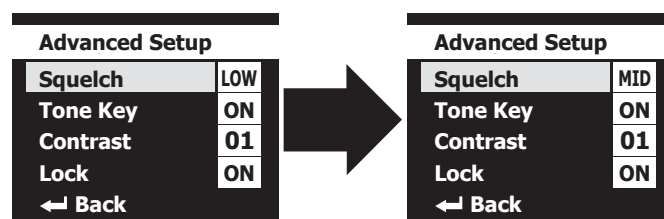
Drehen Sie den Cursor auf den Parameter HPF.

Betätigen Sie die MENU / SELECT Taste, um die Einstellung zu ändern.

Drehen Sie den MENU / SELECT Knopf, um den HPF On oder OFF zu schalten.

Betätigen Sie die MENU / SELECT Taste, um die Einstellung zu bestätigen und zu speichern und betätigen Sie die POWER Taste, um die Auswahl abubrechen und zurück in das AUDIO LEVEL Untermenü zu gelangen.

Erweitertes Setup



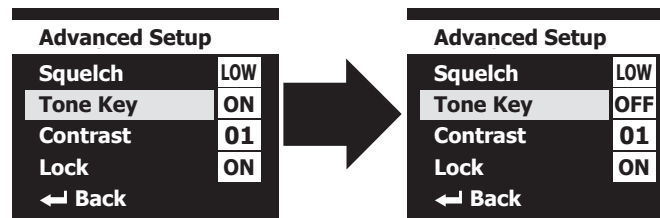
Betätigen Sie in der Haupt-Performance- Seite die MENU / SELECT, um in das Hauptmenü zu gelangen. Wählen Sie ADVANCED SETUP, betätigen Sie die MENU / SELECT Taste, um in das ADVANCED SETUP Untermenü zu gelangen.

Einstellen des Rauschunterdrückungs- Schwellwerts

Drehen Sie den Cursor auf den Parameter SQUELCH. Betätigen Sie die MENU / SELECT Taste, um die Einstellung zu ändern. Drehen Sie den MENU / SELECT Knopf, um den Schwellwert / Pegel einzustellen. Betätigen Sie die MENU / SELECT Taste, um die Einstellung zu speichern. Drücken Sie die POWER Taste, um die Auswahl abubrechen und zurück in das ADVANCED LEVEL Untermenü zu gelangen.

Die Einstellung des Schwellwerts für die Rauschunterdrückung ist hilfreich bei der Steigerung des Audioempfangs zwischen dem Empfänger und dem Sender, wenn Funkstörungen vorhanden sind. Da der Schwellwert der Rauschunterdrückung erhöht wird, wird der Gesamtbereich reduziert. Beginnen Sie immer mit dem geringsten Wert für die Rauschunterdrückung.

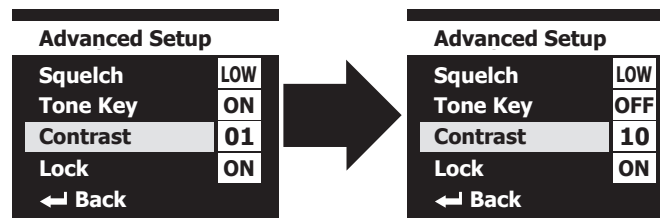
Erweitertes Setup



Aktivieren der Tontaste.

Drehen Sie den Cursor auf den Parameter TONE KEY. Betätigen Sie die MENU / SELECT Taste, um die Einstellung zu ändern. Drehen Sie den MENU / SELECT Knopf, um den TONE KEY ON oder OFF zu schalten. Betätigen Sie die MENU / SELECT Taste, um die Einstellung zu speichern. Drücken Sie die POWER Taste, um die Auswahl abzubrechen und zurück in das ADVANCED LEVEL Untermenü zu gelangen.

Die Tontaste ist eine unhörbare Frequenz, die zusammen mit dem Audiosignal übertragen wird. Sie hilft bei der Verringerung der Audio-Interferenz durch andere Funkgeräten. Bei der Fehlersuche von Audio- Problemen kann es hilfreich sein, die Tontaste auszuschalten. Für eine optimale Leistung wird empfohlen, immer die Tontaste zu aktivieren.



Einstellen des Display Kontrasts

Drehen Sie den Cursor auf den Parameter CONTRAST. Betätigen Sie die MENU / SELECT Taste, um die Einstellung zu ändern. Drehen Sie den MENU / SELECT Knopf, um den Kontrast einzustellen. Betätigen Sie die MENU / SELECT Taste, um die Einstellung zu speichern. Drücken Sie die POWER Taste, um die Auswahl abzubrechen und zurück in das ADVANCED LEVEL Untermenü zu gelangen.



Sperren der Empfänger Einstellelemente

Drehen Sie den Cursor auf den Parameter LOCK. Betätigen Sie die MENU / SELECT Taste, um die Einstellung zu ändern. Drehen Sie den MENU / SELECT Knopf, um die Sperre zu aktivieren. Betätigen Sie die MENU / SELECT Taste, um die Einstellung zu speichern. Drücken Sie die POWER Taste, um die Auswahl abzubrechen und zurück in das ADVANCED LEVEL Untermenü zu gelangen.

Wenn die Sperre aktiv ist, muss der Empfänger entsperret werden, bevor Sie irgendwelche Parameter ändern können. Zum Entsperren des Empfängers betätigen und halten Sie die MENU / SELECT Taste, bis das Schlüsselsymbol blinkt. Drehen von MENU / SELECT Regler, bis das Symbol entsperrt anzeigt. Betätigen Sie dann die MENU / SELECT Taste, um dies zu bestätigen.

Rack Montage

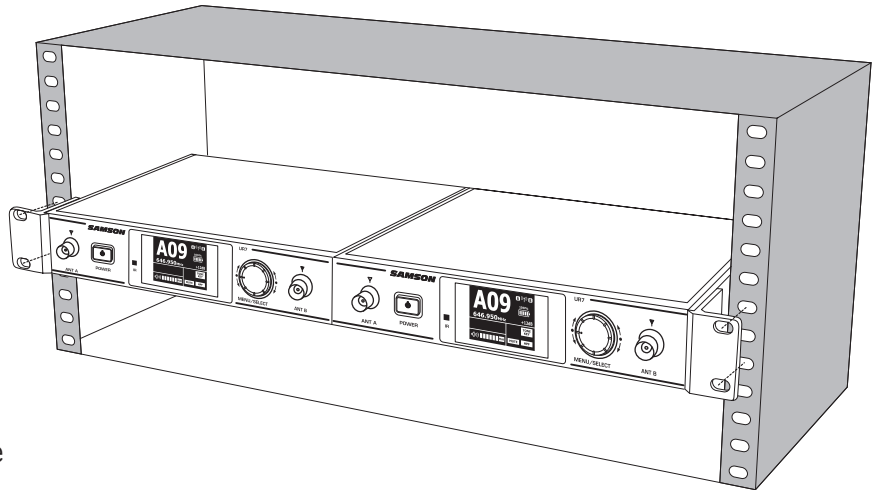
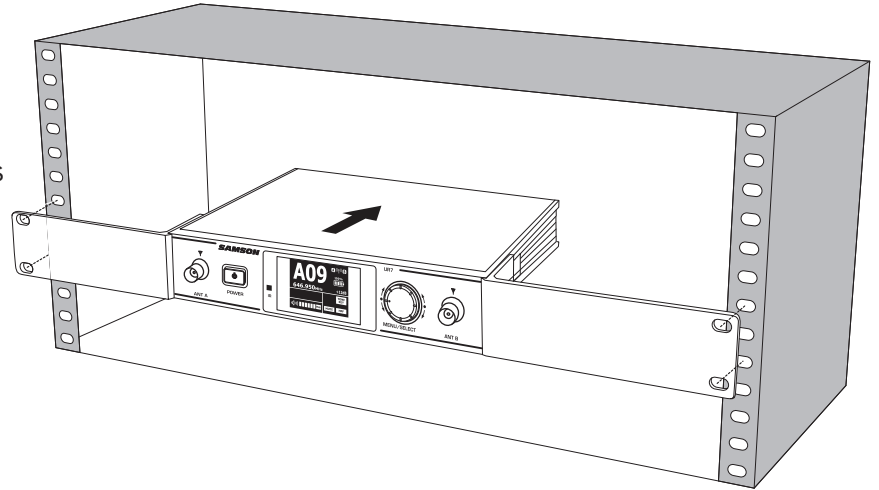
Der UR7 Empfänger kann in einen Standard 19" Rack für den Transport oder die permanente Installation montiert werden. Benutzen Sie dazu die enthaltenen Rack Laschen.

Befestigen Sie die mitgelieferten Rackwinkel auf jeder Seite des UR7 Empfängers. Sichern Sie mit den mitgelieferten Schrauben die Rackwinkel.

Setzen Sie den UR7 Empfänger in ein freies Rack Fach und schieben Sie in hinein, bis die Laschen die Schienen des Gehäuses berühren und mit den Löchern der Rack-Schiene ausgerichtet sind.

Montieren Sie die Empfänger im Rack, indem Sie ihn mit den passenden Rack-Schrauben (nicht beinhaltet) festziehen. Um gleiche Spannung und Balance sicherzustellen, wenn Sie den Empfänger montieren, sollten Sie die Schrauben über Kreuz, jeweils die schräg gegenüber liegenden Schrauben anziehen: oben links -> unten rechts -> oben rechts -> unten links.

Ein Doppelpfänger Rack Montagesatz (RKUR7) steht zur Verfügung, um zwei UR7 Empfänger auf einer Höhe zu montieren. Das Kit enthält zwei kurze Rackwinkel, ein zentrales Verbindungsstück und eine hintere Verbindungsplatte.



ENGLISH

FRANÇAIS

DEUTSCHE

ESPAÑOL

ITALIANO

Kanalpläne

Gruppe C 638-668 MHz										
	A	B	C`	D	E	F	G	H	I	J
1	638,000	638,200	638,225	638,300	638,425	638,950	639,000	639,200	639,225	639,300
2	640,525	640,725	640,750	640,825	640,950	641,475	641,525	641,725	641,750	641,825
3	643,150	643,350	643,375	643,450	643,575	644,100	644,150	644,350	644,375	644,450
4	645,875	646,075	646,100	646,175	646,300	646,825	646,875	647,075	647,100	647,175
5	648,700	648,900	648,925	649,000	649,125	649,650	649,700	649,900	649,925	650,000
6	651,650	651,850	651,875	651,950	652,075	652,600	652,650	652,850	652,875	652,950
7	654,725	654,925	654,950	655,025	655,150	655,675	655,725	655,925	655,950	656,025
8	657,925	658,125	658,150	658,225	658,350	658,875	658,925	659,125	659,150	659,225
9	661,250	661,450	661,475	661,550	661,675	662,200	662,250	662,450	662,475	662,550
10	664,700	664,900	664,925	665,000	665,125	665,650	665,700	665,900	665,925	666,000

Gruppe I 518/547 MHz										
	A	B	C`	D	E	F	G	H	I	J
1	518,000	518,200	518,225	518,300	518,425	518,950	520,000	520,200	520,225	520,300
2	521,025	521,225	521,250	521,325	521,450	521,975	522,775	522,975	523,000	523,075
3	524,100	524,300	524,325	524,400	524,525	525,050	525,600	525,800	525,825	525,900
4	527,225	527,425	527,450	527,525	527,650	528,175	528,475	528,675	528,700	528,775
5	530,400	530,600	530,625	530,700	530,825	531,350	531,400	531,600	531,625	531,700
6	533,600	533,800	533,825	533,900	534,025	534,550	534,350	534,550	534,575	534,650
7	536,850	537,050	537,075	537,150	537,275	537,800	537,350	537,550	537,575	537,650
8	540,150	540,350	540,375	540,450	540,575	541,100	540,400	540,600	540,625	540,700
9	543,475	543,675	543,700	543,775	543,900	544,425	543,475	543,675	543,700	543,775
10	546,850	547,050	547,075	547,150	547,275	547,800	546,600	546,800	546,825	546,900

Gruppe F* 606-634 MHz										
	A	B	C`	D	E	F	G	H	I	J
1	606,000	606,200	606,225	606,300	606,425	606,950	607,000	607,200	607,225	607,300
2	608,525	608,725	608,750	608,825	608,950	609,475	609,525	609,725	609,750	609,825
3	611,150	611,350	611,375	611,450	611,575	612,100	612,150	612,350	612,375	612,450
4	613,875	614,075	614,100	614,175	614,300	614,825	614,875	615,075	615,100	615,175
5	616,700	616,900	616,925	617,000	617,125	617,650	617,700	617,900	617,925	618,000
6	619,650	619,850	619,875	619,950	620,075	620,600	620,650	620,850	620,875	620,950
7	622,725	622,925	622,950	623,025	623,150	623,675	623,725	623,925	623,950	624,025
8	625,925	626,125	626,150	626,225	626,350	626,875	626,925	627,125	627,150	627,225
9	629,250	629,450	629,475	629,550	629,675	630,200	630,250	630,450	630,475	630,550
10	632,700	632,900	632,925	633,000	633,125	633,650	633,700	633,900	633,925	634,000

* Nicht für die Verwendung in den USA und Kanada. Wenden Sie sich bei Fragen zu verfügbaren Kanälen in Ihrer Region an Ihren lokalen Samson Händler.

Spezifikationen

System

Sendebereich	300' (100m) Sichtlinie
Audio Frequenzgang	50 Hz - 15 kHz
T.H.D. (Insgesamt)	<1% (@AF 1 kHz, RF 46 dBu)
Dynamikbereich	>100 dB A-bewertet
Signal Rausch Verhältnis	>90 dB
Betriebstemperatur	-10°C (14°F) bis +60°C (+140°F)
Tontasten- Frequenz	32,768KHz

UB7 Sender mit Gürtelhalter

Eingangsanschluss	Mini-XLR (P3)
Eingangsimpedanz	1MΩ
Eingangsverstärkung	38 dB
RF Leistung	10 mW EIRP
Erforderlich Stromversorgung	Zwei AA (LR6) Alkaline Batterien
Batterie Lebensdauer	Bis zu 15 Stunden
Dimensionen (HxLxT)	2,4" x 0,78" x 3,5" / 62mm x 20mm x 90mm
Gewicht	5oz / 139,4g

UH7 Tragbarer Sender

Mikrofon Element	Q8 Dynamische
Eingangsverstärkung	28 dB
RF Leistung	10 mW EIRP
Erforderlich Stromversorgung	Zwei AA (LR6) Alkaline Batterien
Batterie Lebensdauer	Bis zu 15 Stunden
Dimensionen (HxØ)	176cm x 266mm x 55mm.
Gewicht	11oz / 310,2g

UR7 Receiver

Audio Ausgangslevel	Unsymmetrisch +14 dBu / Symmetrisch +9 dBu
Audio Ausgangsimpedanz	Unsymmetrisch 810 dBu / Symmetrisch 240 dBu
Empfindlichkeit	-100 dBm / 30 dB sinad
Spiegelfrequenz	>50 dB
Betriebsspannung:	15V
Dimensionen (LxBxH)	8,5" x 1,8" x 7,4" / 215mm x 45mm x 189mm
Gewicht:	3,1lb / 1,4kg

Wir bei Samson verbessern ständig unsere Produkte. Daher können Spezifikationen und Bilder ohne vorherige Ankündigung geändert werden.

ENGLISH

FRANÇAIS

DEUTSCHE

ESPAÑOL

ITALIANO


Advertencia al Usuario de la FCC para los Micrófonos Inalámbricos

La mayoría de los usuarios no necesitan una licencia para utilizar este sistema de micrófono inalámbrico. No obstante, el uso de este sistema de micrófono inalámbrico sin una licencia está sujeto a determinadas restricciones: el sistema no puede producir interferencias molestas; debe operar a un nivel de potencia reducido (nunca superior a los 50 milivatios); y no dispone de protección contra las interferencias recibidas desde cualquier otro dispositivo. Los usuarios también deben tener en cuenta que la FCC está evaluando en la actualidad el uso de sistemas de micrófonos inalámbricos, por lo que estas normas están sujetas a posibles cambios. Para más información, llame a la FCC en el número 1-888-CALL-FCC (TTY: 1-888-TELL-FCC) o visite la página web sobre micrófonos inalámbricos de la FCC en www.fcc.gov/cgb/wirelessmicrophones.

Información de Seguridad Importante

1. Lea cuidadosamente estas instrucciones.
2. Conserve estas instrucciones para cualquier consulta en el futuro.
3. Siga cuidadosamente todas las advertencias.
4. Observe y siga todas las instrucciones del fabricante.
5. No utilice este aparato cerca del agua.
6. Limpie el aparato solo con un trapo seco.
7. No bloquee las aperturas de ventilación. Instale el aparato de acuerdo con las instrucciones del fabricante.
8. No instale el aparato cerca de fuentes de calor como, por ejemplo, rejillas de calefacción, estufas u otros aparatos (incluyendo amplificadores) que produzcan calor.
9. No anule el sistema de seguridad del enchufe de tipo polarizado o con toma de tierra. Un enchufe polarizado tiene dos patillas, una más ancha que la otra. Un enchufe con toma de tierra tiene dos patillas normales y una tercera para la conexión a tierra. La patilla ancha o la tercera patilla se incluyen como medida de seguridad. Si el enchufe no encajara en su toma de corriente, llame a un electricista para que le cambie su toma anticuada.
10. Evite que el cable de corriente quede en una posición en la que pueda ser pisado o aplastado, especialmente en los enchufes, receptáculos y en el punto en el que sale de la unidad.
11. Utilice solo las conexiones/accesorios especificados por el fabricante.
12. Utilice solo el soporte de carro, el soporte de trípode o la mesa especificados por el fabricante o vendidos junto con el aparato. Si utiliza un carro, es necesario que proceda con precaución a la hora de mover el conjunto del carro/aparato con el fin de evitar que vuelque y las lesiones personales que ello podría acarrearle.
13. Desenchufe este aparato durante las tormentas eléctricas o cuando no vaya a utilizarlo durante un período de tiempo prolongado.
14. Dirija cualquier posible reparación solo a personal técnico debidamente cualificado. Deberá hacer que su aparato sea reparado cuando esté dañado de cualquier manera, como por ejemplo si el cable de corriente o el enchufe están dañados, o si se han derramado líquidos, o se ha introducido algún objeto dentro de la unidad, si ésta ha quedado expuesta a la lluvia o la humedad, si no funciona normalmente o si ha caído al suelo.
15. Este aparato no debe exponerse al goteo o a las salpicaduras de líquidos. Tampoco deben colocarse sobre él objetos llenos de líquidos, como por ejemplo jarrones.
16. Atención - para evitar descargas eléctricas, introduzca totalmente las patillas del enchufe en las ranuras de la toma.
17. Mantenga este aparato en un entorno con buena ventilación.
18. El adaptador de corriente se utiliza como sistema de desconexión, por lo que debe colocarlo de forma que pueda accederse fácilmente a él.
19. Las baterías (pila, pilas o batería) no deben exponerse a un calor excesivo, como por ejemplo la luz solar directa, el fuego, etc.



 A la hora de deshacerse de este aparato al final de su vida de servicio, no lo elimine junto con la basura doméstica general. Existe un procedimiento específico para la eliminación de los aparatos electrónicos usados de manera conforme a la legislación actual que requiere el tratamiento, la recuperación y el reciclaje apropiados de los mismos.

Los usuarios no profesionales residentes en uno de los 28 estados miembro de la UE, en Suiza y en Noruega pueden devolver sus aparatos electrónicos usados, sin coste alguno, al comercio en el que fueron adquiridos (si se adquiere allí otro aparato similar) o a determinados centros designados para la recogida de residuos eléctricos y electrónicos.

En el caso de los países no indicados arriba, póngase en contacto con las autoridades locales para determinar el método de eliminación correcto.

Mediante la eliminación correcta de su aparato usado se asegurará de que éste se someta al tratamiento, la recuperación y el reciclaje apropiados, evitándose así los efectos adversos sobre el medio ambiente y la salud humana.

Información de Seguridad Importante

Normas y Regulaciones de la FCC e Industry Canada

Los receptores inalámbricos de Samson están certificados de acuerdo con el apartado 15 de las Normas de la FCC y los transmisores están certificados de acuerdo con el apartado 74 de las Normas de la FCC.

La obtención de las licencias de operación para los equipos de Samson es responsabilidad del usuario y la otorgabilidad de las licencias dependerá de la clasificación y la aplicación del usuario y de la frecuencia seleccionada.

Este dispositivo cumple la Norma RSS-310 de Industry & Science Canada. Su funcionamiento está sujeto a las dos condiciones siguientes:

- (1) este aparato no puede producir interferencias molestas, y
- (2) este aparato debe aceptar cualquier interferencia recibida, incluyendo aquellas que puedan producir un funcionamiento no deseado de la unidad.

NOTA: Se ha verificado que este aparato cumple con los límites establecidos para un dispositivo digital de Clase B, de acuerdo a lo establecido en la Sección 15 de las Normas de la FCC. Estos límites han sido diseñados para ofrecer una protección razonable contra las interferencias molestas en instalaciones residenciales. Este aparato genera, utiliza y puede emitir energía de radiofrecuencia y, si no se instala y utiliza de acuerdo con las instrucciones, puede producir interferencias molestas en las comunicaciones de radio. No obstante, no está garantizado que estas interferencias no se produzcan en una instalación concreta. Si este aparato produce interferencias molestas en la recepción de la radio o la televisión, lo cual podrá comprobar fácilmente apagando y encendiendo este aparato, el usuario será el responsable de tratar de corregir dichas interferencias por medio de una o más de las siguientes medidas:

- Reoriente o reubique la antena receptora.
- Aumente la distancia de separación entre este aparato y el receptor.
- Conecte este aparato a una salida de corriente o regleta distinta a la que esté conectado el receptor.
- Pida consejo a un técnico especialista en radio/TV o en el establecimiento en el que adquirió el producto.

ADVERTENCIA: Los cambios o modificaciones no aprobados expresamente por la parte responsable del cumplimiento normativo podrían anular la autorización del usuario para utilizar el equipo.

R&TTE

Este aparato está concebido para el uso en aplicaciones de micrófonos inalámbricos.

El equipo está destinado a la venta en: AT, BE, CH, CY, CZ*, DK, EE, FI*, FR*, DE*, GR*, HU, IE, IS, IT, LV, LT*, LU, MT*, NL, NO*, PL* PT, RO, SK, SI, ES, SE, UK

*Sujeto a licencia. Póngase en contacto con la autoridad nacional de frecuencias para obtener información sobre el uso legal disponibles en su área. Los cambios o modificaciones no aprobados expresamente por Samson Technologies Corp. podrían anular la autorización del usuario para utilizar el equipo.

Declaración CE

Nosotros, Samson Technologies Corporation, ubicada en 45 Gilpin Ave, Hauppauge, NY 11788 EE.UU., declaramos bajo nuestra propia responsabilidad que estos dispositivos están en conformidad con los requisitos esenciales de la directiva R&TTE 1999/5/CE, cuando se instalan de acuerdo con las instrucciones de instalación contenidas en la documentación del producto. Para los efectos de que se hayan aplicado las normas y/o especificaciones técnicas mencionadas a continuación tal como se indica:

EN60065:2002+A1:2006+A11:2008+A2:2010+A12:2011

EN 301 489-1 V1.9.2:2011

EN301 489-9 V1.4.1:2007

EN 300 422-1 V1.4.2:2011

EN300 422-2 V1.3.1:2011

Año del Mercado CE (Directiva de Baja Tensión): 2014

Los productos deberán contener el marcado CE e ir acompañados por el número de identificación del Organismo Notificado **0700**. Este equipo también llevará el identificador de equipos de la Clase 2.



Introducción

Le felicitamos por haber adquirido el sistema inalámbrico Synth 7 de Samson. El Synth 7 es la solución ideal para el intérprete activo que necesite un sistema fiable y que ofrezca un sonido extraordinario para aplicaciones inalámbricas.

El sistema Synth 7 ofrece al usuario un robusto diseño de sus componentes totalmente en metal, visualizaciones de fácil lectura y funciones avanzadas para un funcionamiento impecable. El Synth 7 viene en cinco configuraciones. El sistema manual vocal incluye el transmisor manual UH7 con una cápsula de micrófono dinámico Q8. El sistema de petaca UB7 puede configurarse con el micrófono de oreja SE10, el micrófono lavalier LM10, el micrófono de diadema vocal QV o un cable de instrumento de ¼". Para la instalación permanente o móvil, el Synth 7 incluye un kit de montaje en rack de 19 pulgadas estándar.

En estas páginas encontrará una descripción detallada de las características del sistema inalámbrico Synth 7, instrucciones paso a paso para su configuración y uso y las especificaciones técnicas completas del dispositivo. Si ha adquirido su sistema inalámbrico en los Estados Unidos, también encontrará una tarjeta de garantía – no olvide rellenarla y enviárnosla por correo para que pueda recibir soporte técnico online y para que le podamos ofrecer información actualizada sobre éste y otros productos de Samson en el futuro. Además, no deje de visitar nuestra web (www.samsontech.com) para ver toda la información sobre nuestra línea de productos.

Le recomendamos que anote los datos indicados en las líneas siguientes y los conserve junto con una copia de su factura de compra.

Número de Serie del Receptor: _____

Número de Serie del Transmisor: _____

Fecha de compra: _____

Nombre del distribuidor: _____

Con unos cuidados y mantenimiento adecuados, su sistema inalámbrico Synth 7 funcionará sin ningún problema durante muchos años. En el caso improbable de que en algún momento tuviera que reparar este aparato, deberá solicitarnos un número de Autorización de Devolución (RA) para poder enviar su unidad a Samson. Sin este número no se aceptará el aparato. Póngase en contacto con Samson en el número 1-800-3SAMSON (1-800-372-6766) para que le facilitemos este número de autorización de devolución antes de enviarnos la unidad. Si fuera posible, conserve el embalaje original y los materiales de protección para devolvernos la unidad dentro de ellos. Si compró su unidad fuera de los Estados Unidos, póngase en contacto con su distribuidor en lo relativo a los detalles de la garantía y la información de servicio.

Características

- Sistemas Inalámbricos UHF *True-Diversity* Profesionales
- El Modo de Escaneado y el analizador de espectro en pantalla encuentran los canales óptimos para un funcionamiento libre de interferencias
- La función de Anulación de Tono Piloto/Silenciamiento Automático elimina el ruido de RF cuando el transmisor está silenciado.
- Mayor rango dinámico para manejar las entradas de mayor intensidad
- Pantalla LCD del receptor a todo color
- La pantalla LCD del transmisor indica el nivel de la batería y el número de canal
- El transmisor ofrece hasta 15 horas de funcionamiento continuo con dos pilas AA
- 100 metros de alcance
- Los componentes fabricados totalmente en metal y montables en rack aseguran una gran resistencia y durabilidad.

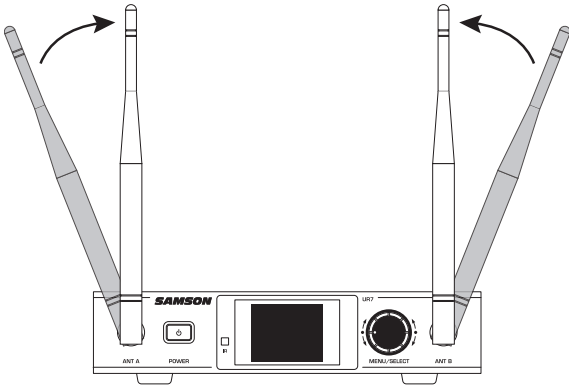
Inicio Rápido

Para que su sistema inalámbrico funcione correctamente, el receptor y el transmisor deben estar ajustados en el mismo canal.

Configuración del receptor:

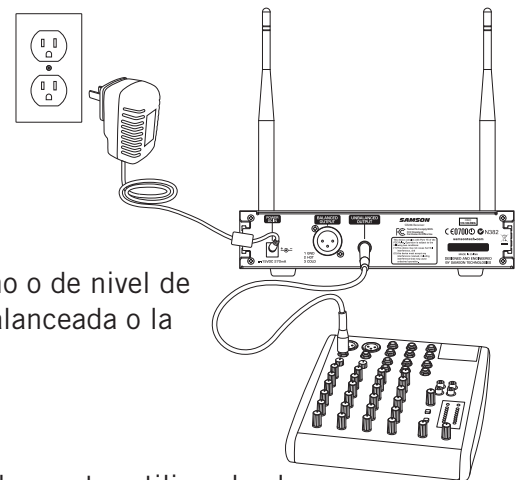
Coloque físicamente el receptor UR7 en el lugar en el que vaya a utilizarse. La regla general es que se debe intentar mantener la “línea de visión” entre el receptor y el transmisor, de tal forma que la persona que utilice o lleve el transmisor pueda ver en todo momento el receptor.

Conecte las antenas y posiciónelas verticalmente.



Conecte el adaptador de corriente incluido a una toma eléctrica.

Conecte el conector de salida del receptor UR7 a la entrada de micrófono o de nivel de línea de una mesa de mezclas o amplificador utilizando la salida XRL balanceada o la salida de nivel de línea 1/4" no balanceada.



Ajuste del canal del receptor - Cuando utilice un sistema simple, ajuste el receptor utilizando el menú de Selección de Frecuencia. Cuando utilice múltiples sistemas Synth 7, utilice el menú de Grupo y Canal de manera que cada sistema se asigne el mismo grupo con el fin de maximizar el número de canales compatibles

Configuración de un Sistema Simple

Pulse y mantenga pulsado el botón de encendido para encender el receptor UR7. La pantalla del receptor se iluminará.

Pulse el botón Menú/Seleccionar para introducir el Menú Principal. Gire el codificador de Menú/Seleccionar para resaltar SELECCIÓN DE FRECUENCIA y pulse el botón MENÚ/SELECCIONAR.

Desplácese hacia abajo para resaltar ESCANEAR ESPECTRO y pulse el botón MENÚ/SELECCIONAR. El receptor escaneará el espectro inalámbrico y seleccionará un canal disponible.



Inicio Rápido

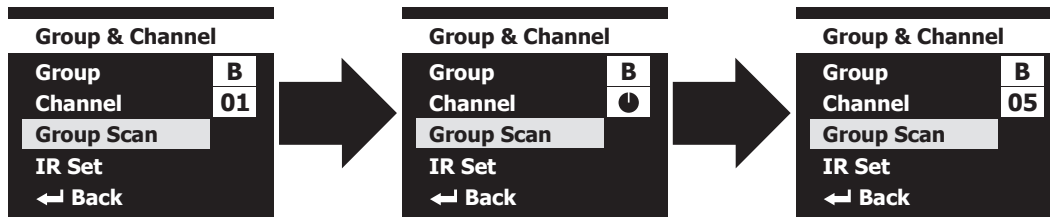
Configuración de Sistema Múltiple

Pulse y mantenga pulsado el botón de encendido para encender el receptor UR7.

Pulse el botón Menú/Seleccionar para introducir el Menú Principal. Gire el codificador de Menú/Seleccionar para resaltar GRUPO Y CANAL y pulse el botón MENÚ/SELECCIONAR para introducir el menú.

Ajuste cada receptor en el mismo Grupo. Seleccione GRUPO y pulse el botón MENÚ/SELECCIONAR. La letra del Grupo comenzará a parpadear. Gire el codificador de MENÚ/SELECCIONAR para seleccionar el grupo que desee y pulse el botón MENÚ/SELECCIONAR para ajustar el Grupo del receptor.

Seleccione ESCENEAR GRUPO y pulse el botón MENÚ/SELECCIONAR. El receptor UR7 escaneará el Grupo seleccionado en busca de un canal disponible.



Configuración del transmisor:

Instale dos pilas AA nuevas en el transmisor de petaca UB7 o el transmisor manual UH7. Pulse y mantenga pulsado el botón de encendido para encender el transmisor.

En el receptor UR7, desplácese hacia abajo hasta AJUSTE IR y pulse el botón MENÚ/SELECCIONAR.

Coloque el transmisor a una distancia de aproximadamente 15-30 cm (6-12") de la parte frontal del receptor UR7 con la ventana IR del transmisor orientada hacia el transmisor IR del panel frontal del receptor. La ventana IR del transmisor UH7 está situada en el interior del compartimento de las pilas. La ventana IR del UB7 está situada junto a la pantalla LCD.

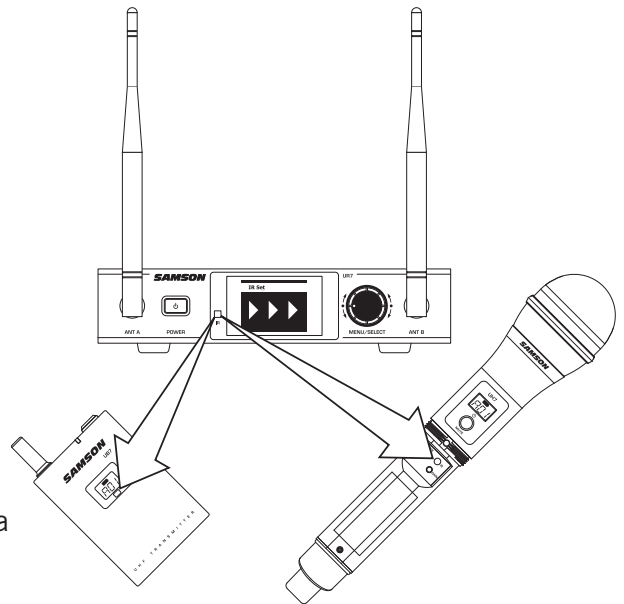
Una vez finalizada la transmisión, seleccione ATRÁS o pulse el botón de alimentación del receptor UR7 para volver a la pantalla de funcionamiento principal.

Cuando la pareja formada por el transmisor y el receptor esté configurada, deje el transmisor encendido y bloqueado antes de escanear el grupo en busca del siguiente canal disponible. De esta manera se evitará que el receptor seleccione un canal que provoque interferencias.

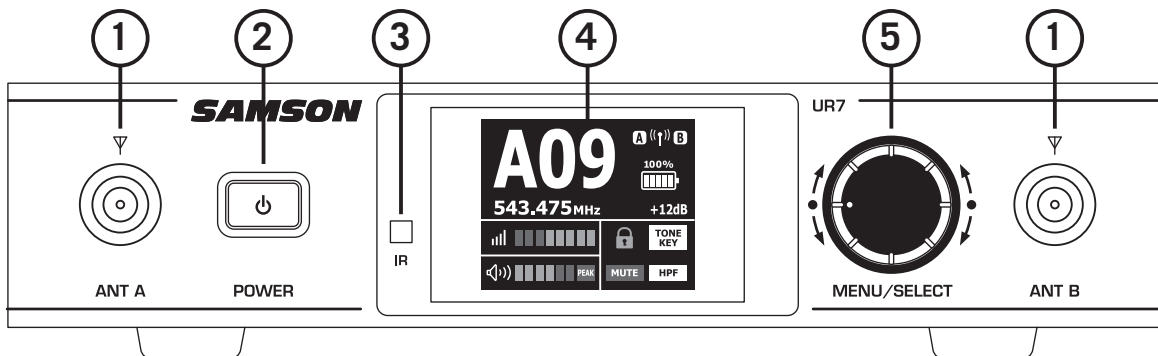
Ajuste del nivel de actuación

Hable o cante al micrófono o, si está utilizando el transmisor con un instrumento conectado, toque el instrumento con una intensidad del sonido normal. Suba lentamente el volumen de su amplificador o mezclador hasta alcanzar el nivel deseado.

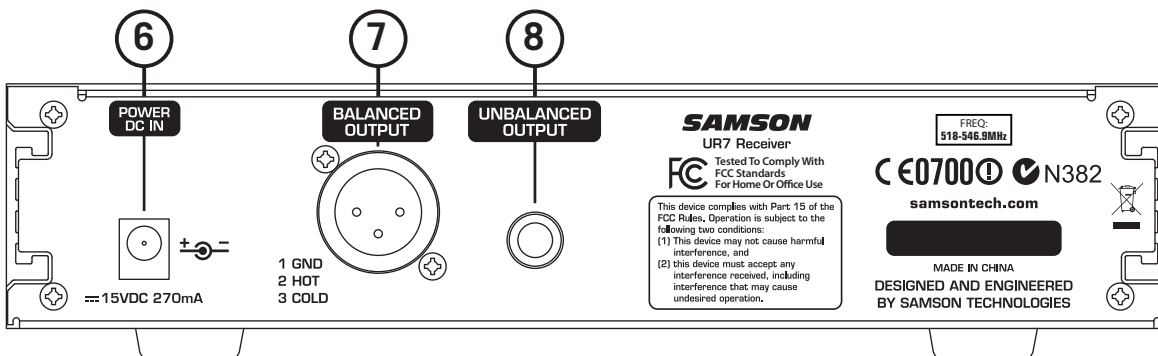
Si observa que el sistema sufre interrupciones evidentes, su rango operativo es menor del que debiera o se producen estallidos sonoros imprevistos, cambie el canal operativo del sistema siguiendo los pasos indicados anteriormente.



Elementos del Receptor UR7



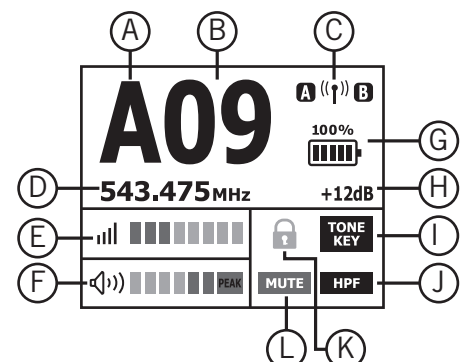
- 1. Conectores de las Antenas** - Los conectores de las antenas permiten la rotación completa de las mismas para un posicionamiento óptimo. Durante el funcionamiento normal de la unidad, las dos antenas deben colocarse en posición vertical.
- 2. Interruptor de ALIMENTACIÓN** - Pulse y mantenga pulsado este botón para encender y apagar el receptor. Si se pulsa rápidamente este botón, se retrocederá en los menús.
- 3. Transmisor IR** - Durante el "AJUSTE IR", se utiliza un código infrarrojo (de manera similar a la selección de un canal de televisión con el mando a distancia de un televisor) para ajustar el canal del transmisor.
- 4. LCD en Color** - En esta pantalla se muestran los ajustes del transmisor y el receptor y datos del funcionamiento del sistema.
- 5. Control MENÚ/SELECCIONAR** - Este mando/botón de control de codificador rotatorio se utiliza para controlar y ajustar funciones y parámetros del menú.



- 6. Entrada de CD** - Conecte aquí el adaptador de corriente suministrado con la unidad. ADVERTENCIA: No utilice nunca un adaptador de alimentación de otro tipo, ya que ello podría provocar daños graves en el UR7 y la anulación de la garantía.
- 7. SALIDA BALANCEADA XLR** - Salida de micrófono-nivel electrónicamente balanceada.
- 8. SALIDA NO BALANCEADA 1/4"** - Salida de instrumento-nivel de alta impedancia no balanceada.

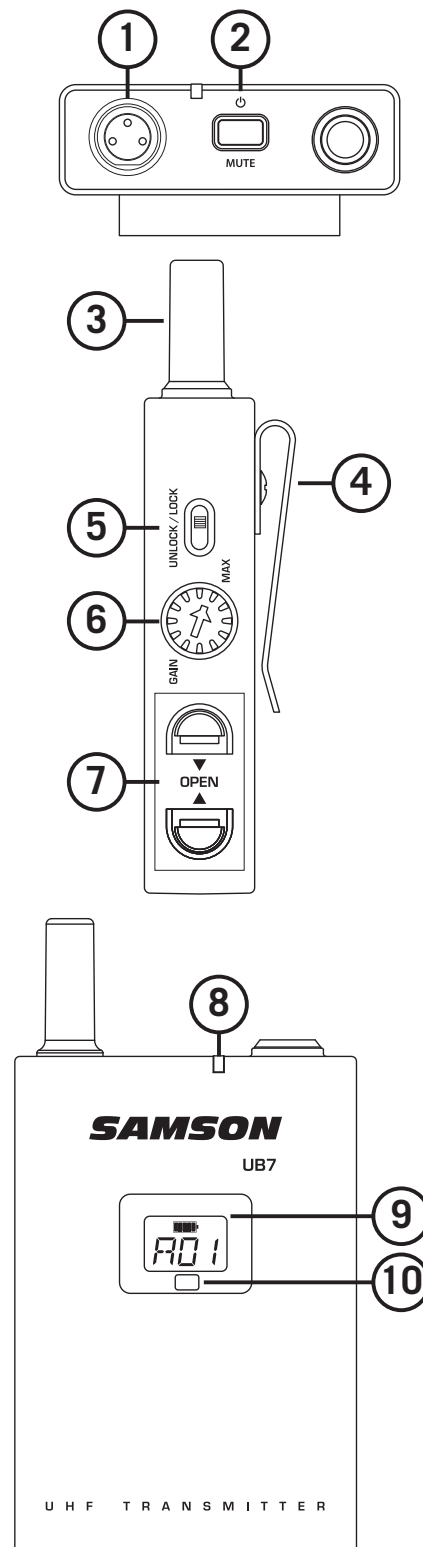
Pantalla LCD

- | | |
|--|---|
| A. Grupo | H. Nivel de Salida de Audio del Receptor |
| B. Canal | I. Indicador de Clave de Tono Activa |
| C. Indicador de Antena Activa | J. Indicador de Filtro Pasa-Altos |
| D. Frecuencia Operativa | K. Bloqueo del Receptor |
| E. Medidor de Señal de RF | L. Indicador de Silenciamiento del Transmisor |
| F. Medidor de Audio | |
| G. Indicador de Batería del Transmisor | |



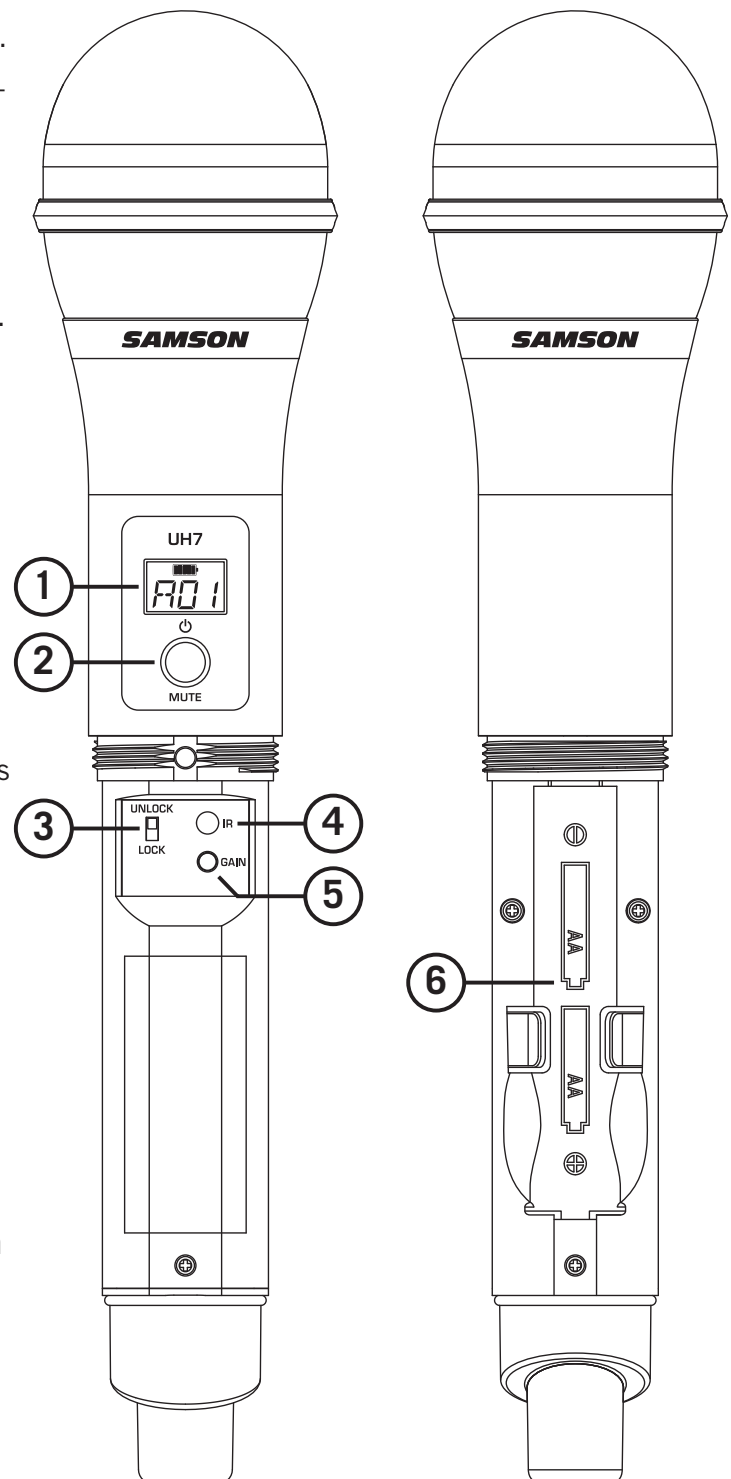
Elementos del UB7

1. **Conector de Entrada** - Conecte el dispositivo de entrada a través del conector mini XLR.
2. **Interruptor de Alimentación/Silenciador** - Pulse y mantenga pulsado este botón para encender y apagar la unidad. Púlselo brevemente para activar o desactivar el modo de silencio del transmisor.
3. **Antena** - Antena de transmisor fijada permanentemente.
4. **Pinza para Correa** - Utilice esta pinza para fijar el transmisor al cinturón o a la correa de una guitarra.
5. **Interruptor de DESBLOQUEO/BLOQUEO** - El bloqueo de los controles del sistema impide el silenciamiento accidental o el ajuste de canal durante la actuación.
6. **Control de GANANCIA de Entrada** - Este control ajusta la sensibilidad de entrada del transmisor para el funcionamiento con las señales de entrada de micrófono e instrumentos. Para un rendimiento óptimo, ajuste el control de GANANCIA de entrada en el punto en el que vea que el indicador PICO del UR7 comienza a iluminarse cuando los niveles son elevados y reduzca entonces lentamente el ajuste hasta que el indicador PICO deje de iluminarse o solo lo haga ocasionalmente durante la entrada más alta que vaya a haber en cada canal.
7. **Receptáculo de las Pilas** - Inserte aquí dos pilas AA (LR6) estándar asegurándose de colocar correctamente los polos positivo y negativo según las marcas. Si bien es posible utilizar también pilas de níquel-cadmio recargables, tenga en cuenta que este tipo de pilas no suministran la corriente adecuada satisfactoria durante más de cuatro horas. **ADVERTENCIA: No coloque las pilas al revés; ello podría provocar daños graves en el UR7 y la anulación de la garantía.**
8. **Indicador de Estado** - Este indicador LED se ilumina en color verde cuando el transmisor está encendido y se ilumina en color rojo cuando el transmisor está silenciado.
9. **Pantalla LCD** - Esta pantalla muestra información sobre el grupo, el canal y el nivel de las pilas.
10. **Lente IR** - Esta ventana se utiliza para capturar la señal infrarroja enviada desde el UR7 durante el AJUSTE IR para ajustar el canal del transmisor.



Elementos del UH7


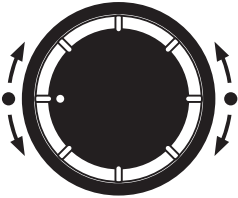
1. **Pantalla LCD** - Esta pantalla muestra información actual sobre el grupo, el canal y el nivel de las pilas.
2. **Interruptor de Alimentación/Silenciador** - Pulse y mantenga pulsado este botón para encender y apagar la unidad. Púlselo brevemente para activar o desactivar el modo de silencio del transmisor.
3. **Interruptor de DESBLOQUEO/BLOQUEO** - El bloqueo de los controles del sistema impide el silenciamiento accidental o el ajuste de canal durante la actuación.
4. **Lente IR** - Esta ventana se utiliza para capturar la señal infrarroja enviada desde el UR7 durante el AJUSTE IR para ajustar el canal del transmisor. La tapa de la batería debe estar abierta y la Lente IR debe estar orientada hacia el receptor para cargar el canal seleccionado.
5. **Control de GANANCIA de Entrada** - Este control ajusta la sensibilidad de entrada del transmisor. Púlselo para ajustar el ajuste de ganancia. Para un rendimiento óptimo, ajuste el control de GANANCIA de entrada en el punto en el que vea que el indicador PEAK del UR7 comienza a iluminarse a niveles altos y redúzcalo lentamente a continuación hasta que la luz de PEAK se apague.
6. **Receptáculo de las Pilas** - Abra el receptáculo de las pilas presionando la lengüeta y levantando la tapa. Inserte dos pilas AA (LR6) estándar asegurándose de colocar correctamente los polos positivo y negativo según las marcas. Si bien es posible utilizar también pilas de níquel-cadmio recargables, tenga en cuenta que este tipo de pilas no suministran la corriente adecuada satisfactoria durante más de cuatro horas.
ADVERTENCIA: No coloque las pilas al revés; ello podría provocar daños graves en el UH7 y la anulación de la garantía.



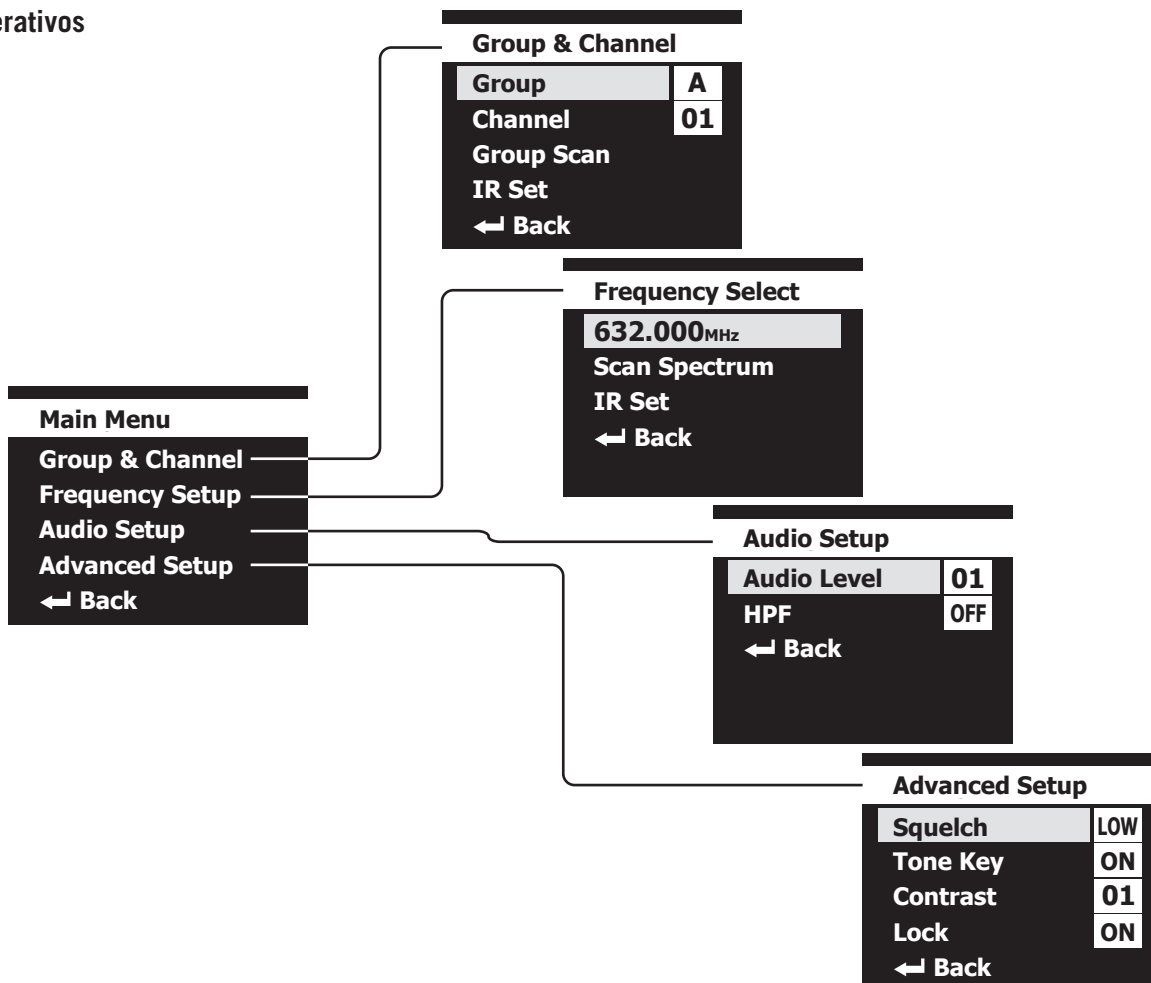
Menú Operativo del UR7

El receptor UR7 tiene un menú operativo cómodo y práctico para el usuario, con amplias funciones y parámetros ajustables. Gracias a estas características, el receptor y el transmisor pueden configurarse rápida y fácilmente para el uso.

Controles

<p>Botón de ALIMENTACIÓN</p>  <p>POWER</p>	<p>Si se pulsa y mantiene pulsado este botón, el receptor se enciende y se apaga.</p> <p>La pulsación breve cancela una entrada y vuelve al menú en el que se esté.</p> <p>La pulsación breve permite retroceder en los menús.</p>
<p>Codificador y Botón MENÚ/ SELECCIONAR</p>  <p>MENU/SELECT</p>	<p>Púlselo para introducir los menús</p> <p>Introduce un sub-menú</p> <p>Selecciona un parámetro para el ajuste</p> <p>Confirma y almacena un ajuste y vuelve al menú actual</p> <p>Gírelo para desplazarse por las selecciones de menú disponibles</p> <p>Gírelo para desplazarse por los parámetros disponibles</p>

Menús Operativos



Menú de Parámetros

Grupo y Canal

Grupo	Ajusta manualmente el Grupo operativo.
Canal	Ajusta manualmente el canal con el Grupo seleccionado.
Escanear Grupo	Escanea los canales del grupo seleccionado en ese momento y selecciona la señal más limpia a utilizar con el fin de obtener un rendimiento óptimo.
Ajuste IR	Envía la información del grupo y el canal a los transmisores UH7 y UB7 a través de la unidad de infrarrojos.

Group & Channel	
Group	A
Channel	01
Group Scan	
IR Set	
← Back	

Selección de Frecuencia

Frecuencia	Ajusta manualmente la frecuencia operativa del receptor UR7.
Escanear Espectro	Escanea la banda de frecuencia completa del receptor UR7 y selecciona la señal más limpia a utilizar con el fin de obtener un rendimiento óptimo.
Ajuste IR	Envía la información de la frecuencia operativa a los transmisores UH7 y UB7 a través de la unidad de infrarrojos.

Frequency Select	
632.000MHz	
Scan Spectrum	
IR Set	
← Back	

Configuración de Audio

Nivel de Audio	Ajusta el nivel de la señal audio que está siendo transmitida a través tanto de los conectores de salida balanceados como no balanceados del panel trasero.
HPF	Activa un filtro pasa-altos en la salida de audio. Esta función resulta útil cuando se utiliza el receptor con un micrófono manual con el fin de reducir las frecuencias más bajas que se no desea que capte el micrófono. Resulta útil para eliminar el murmullo del escenario.

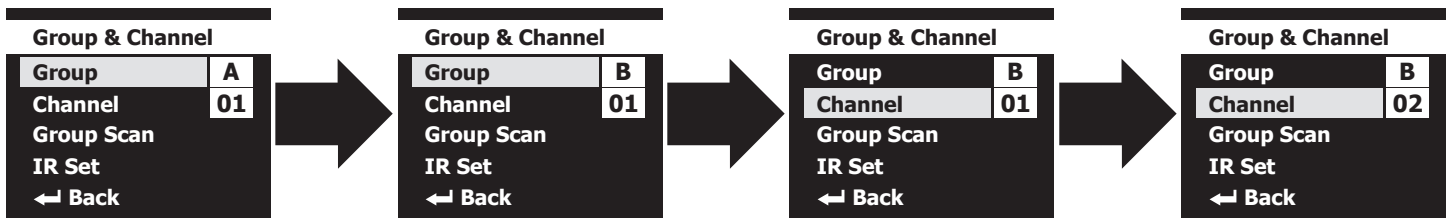
Audio Setup	
Audio Level	01
HPF	OFF
← Back	

Configuración Avanzada

Anulación	Ajusta el umbral de anulación.
Clave de Tono	Activa o desactiva la Clave de Tono. Esta función resulta útil durante la configuración del sistema. Durante el funcionamiento normal, la Tecla de Tono debe estar activada.
Contraste	Ajusta el contraste de la pantalla del receptor.
Bloqueo	Bloquea los controles del receptor.

Advanced Setup	
Squelch	LOW
Tone Key	ON
Contrast	01
Lock	ON
← Back	

Menú de Grupo y Canal



En la página de funcionamiento principal, pulse el botón MENÚ/SELECCIONAR para introducir el Menú Principal. Con GRUPO y CANAL resaltado, pulse el botón MENÚ/SELECCIONAR para introducir el sub-menú de GRUPO y CANAL.

Ajuste de Grupo y Canal

Gire el cursor para seleccionar el parámetro de GRUPO.

Pulse el botón MENÚ/SELECCIONAR para ajustar el ajuste.

Gire el mando de MENÚ/SELECCIONAR para ajustar la letra del grupo.

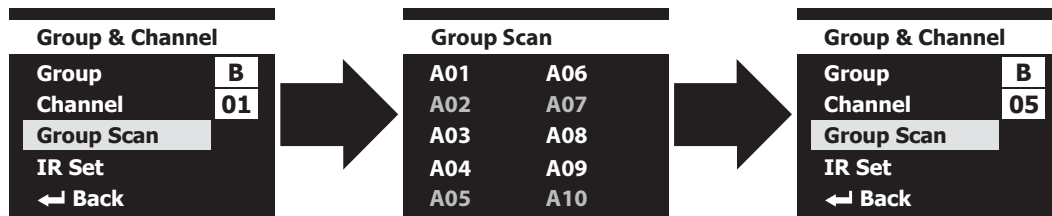
Pulse el botón MENÚ/SELECCIONAR para confirmar y guardar el ajuste o pulse el botón de ALIMENTACIÓN para cancelar la selección y volver al sub-menú de GRUPO y CANAL.

Gire el cursor para seleccionar el parámetro de CANAL.

Pulse el botón MENÚ/SELECCIONAR para ajustar el ajuste.

Gire el mando de MENÚ/SELECCIONAR para ajustar el número de canal.

Pulse el botón MENÚ/SELECCIONAR para confirmar y guardar el ajuste o pulse el botón de ALIMENTACIÓN para cancelar la selección y volver al sub-menú de GRUPO y CANAL.



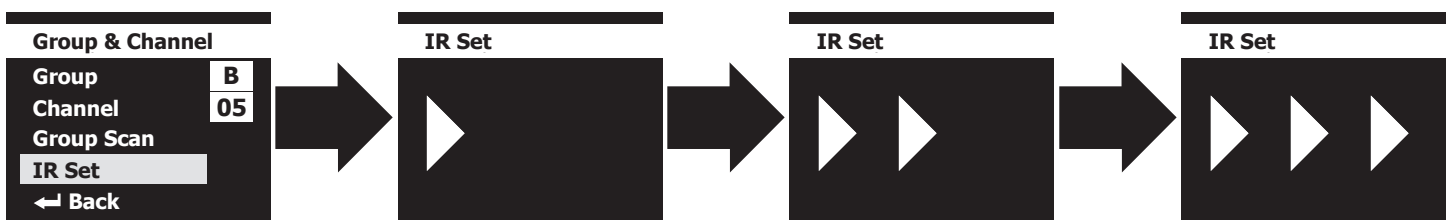
Escanear el Grupo en busca de un canal limpio

Gire el cursor para seleccionar el parámetro de ESCANEAR GRUPO.

Pulse el botón MENÚ/SELECCIONAR para activar la función de escaneo.

La pantalla resaltará los canales abiertos en color verde y los canales que tengan interferencias en color rojo.

Esto puede utilizarse como un indicador a la hora de seleccionar un grupo para un sistema múltiple. Escaneando cada Grupo, encontrará el Grupo con el mayor número de canales abiertos.



Ajuste del grupo y canal del transmisor

Gire el cursor para seleccionar el parámetro de ESCANEAR IR.

Pulse el botón MENÚ/SELECCIONAR para activar la función de AJUSTE IR. Durante el proceso del AJUSTE IR, coloque el transmisor a una distancia de aproximadamente 15-30 cm (6-12") de la parte frontal del receptor UR7 con la ventana IR del transmisor orientada hacia el transmisor IR del panel frontal del receptor.

Selección de Frecuencia



En la página de funcionamiento principal, pulse el botón MENÚ/SELECCIONAR para introducir el Menú Principal.

Con CONFIGURACIÓN DE FRECUENCIA resaltada, pulse el botón MENÚ/SELECCIONAR para introducir el sub-menú de CONFIGURACIÓN DE FRECUENCIA.

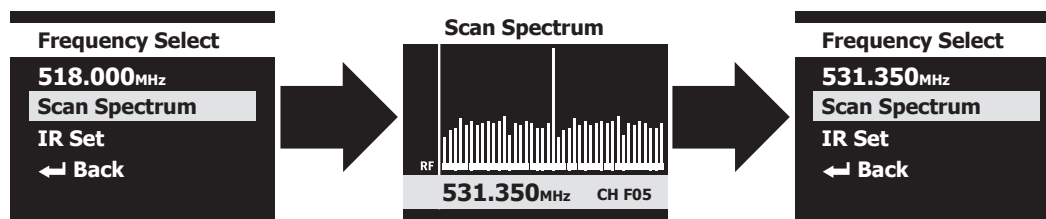
Ajuste de la Frecuencia Operativa

Gire el cursor para seleccionar el parámetro de Frecuencia.

Pulse el botón MENÚ/SELECCIONAR para ajustar el ajuste.

Gire el mando de MENÚ/SELECCIONAR para ajustar la frecuencia de funcionamiento.

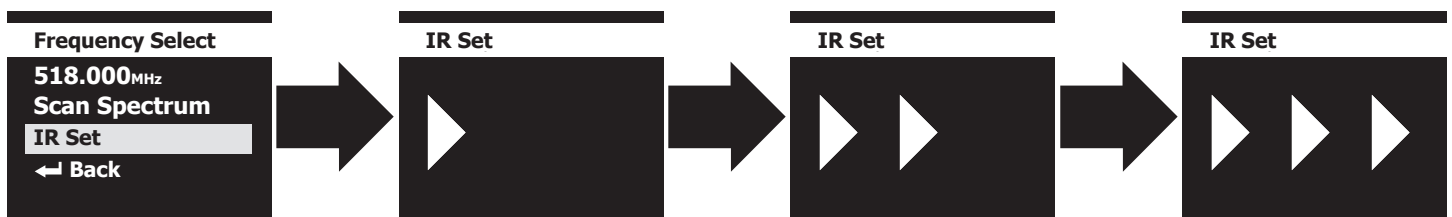
Pulse el botón MENÚ/SELECCIONAR para confirmar y guardar el ajuste o pulse el botón de ALIMENTACIÓN para cancelar la selección y volver al sub-menú de CONFIGURACIÓN DE FRECUENCIA.



Escanear la banda de frecuencia en busca de un canal limpio

Gire el cursor para seleccionar el parámetro de ESCANEAR ESPECTRO.

Pulse el botón MENÚ/SELECCIONAR para activar la función de escaneo.

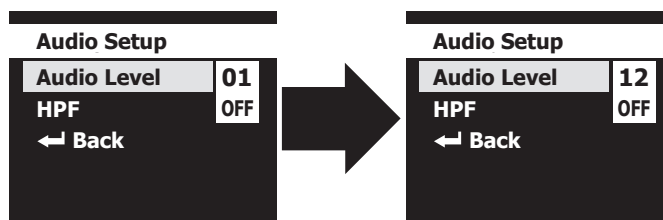


Ajuste del grupo y canal del transmisor

Gire el cursor para seleccionar el parámetro de ESCANEAR IR.

Pulse el botón MENÚ/SELECCIONAR para activar la función de AJUSTE IR. Durante el proceso del AJUSTE IR, coloque el transmisor a una distancia de aproximadamente 15-30 cm (6-12") de la parte frontal del receptor UR7 con la ventana IR del transmisor orientada hacia el transmisor IR del panel frontal del receptor.

Configuración de Audio



En la página de funcionamiento principal, pulse el botón MENÚ/SELECCIONAR para introducir el Menú Principal.

Con CONFIGURACIÓN DE AUDIO resaltada, pulse el botón MENÚ/SELECCIONAR para introducir el sub-menú de CONFIGURACIÓN DE AUDIO.

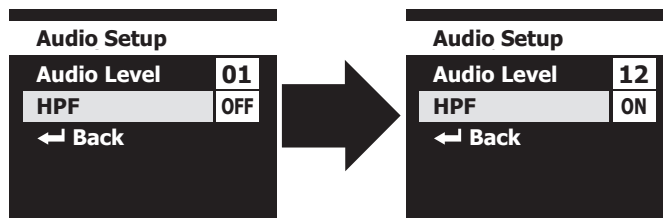
Ajuste del Nivel de Audio

Gire el cursor para seleccionar el parámetro de NIVEL DE AUDIO.

Pulse el botón MENÚ/SELECCIONAR para ajustar el ajuste.

Gire el mando de MENÚ/SELECCIONAR para ajustar el ajuste del nivel de salida.

Pulse el botón MENÚ/SELECCIONAR para confirmar y guardar el ajuste o pulse el botón de ALIMENTACIÓN para cancelar la selección y volver al sub-menú de NIVEL DE AUDIO.



Activación del Filtro Pasa-Altos

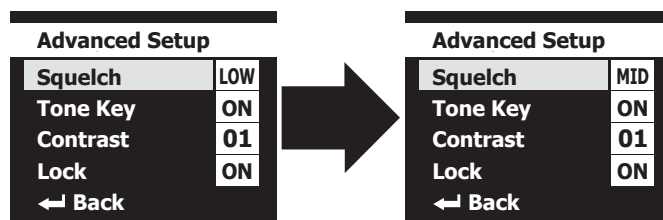
Gire el cursor para seleccionar el parámetro HPF.

Pulse el botón MENÚ/SELECCIONAR para ajustar el ajuste.

Gire el mando de MENÚ/SELECCIONAR para activar o desactivar el HPF.

Pulse el botón MENÚ/SELECCIONAR para confirmar y guardar el ajuste o pulse el botón de ALIMENTACIÓN para cancelar la selección y volver al sub-menú de NIVEL DE AUDIO.

Configuración Avanzada



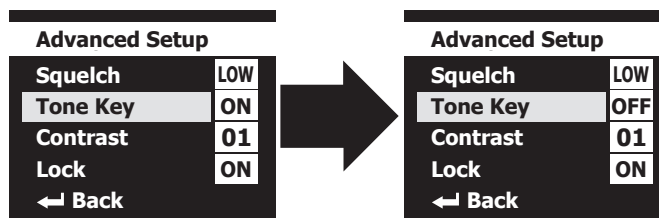
En la página de funcionamiento principal, pulse el botón MENÚ/SELECCIONAR para introducir el Menú Principal. Con CONFIGURACIÓN AVANZADA resaltada, pulse el botón MENÚ/SELECCIONAR para introducir el sub-menú de CONFIGURACIÓN AVANZADA.

Ajuste del Umbral de Anulación

Gire el cursor para seleccionar el parámetro ANULACIÓN. Pulse el botón MENÚ/SELECCIONAR para ajustar el ajuste. Gire el mando de MENÚ/SELECCIONAR para ajustar el nivel umbral. Pulse el botón MENÚ/SELECCIONAR para confirmar y guardar el ajuste. Pulse el botón de ALIMENTACIÓN para cancelar la selección y volver al sub-menú de NIVEL AVANZADO.

El ajuste del umbral de Anulación resulta útil para incrementar la recepción de audio entre el receptor y el transmisor cuando hay interferencias de RF. Cuando el umbral de anulación se incrementa, el rango global se reduce. Comience siempre con la anulación ajustada en el ajuste mínimo.

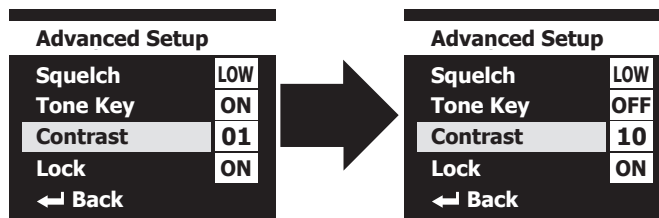
Configuración Avanzada



Activación de la Clave de Tono

Gire el cursor para seleccionar el parámetro TECLA DE TONO. Pulse el botón MENÚ/SELECCIONAR para ajustar el ajuste. Gire el mando de MENÚ/SELECCIONAR para activar o desactivar la CLAVE DE TONO. Pulse el botón MENÚ/SELECCIONAR para confirmar y guardar el ajuste. Pulse el botón de ALIMENTACIÓN para cancelar la selección y volver al sub-menú de NIVEL AVANZADO.

La Clave de Tono es una frecuencia inaudible que se transmite junto con la señal de audio. Ayuda a reducir las interferencias de audio de otros dispositivos de RF. A la hora de identificar problemas con el audio, puede resultar útil desactivar la clave de tono. Para un rendimiento óptimo del sistema, se recomienda tener siempre activada la Tecla de Tono.



Ajuste del Contraste de la Pantalla

Gire el cursor para seleccionar el parámetro CONTRASTE. Pulse el botón MENÚ/SELECCIONAR para ajustar el ajuste. Gire el mando de MENÚ/SELECCIONAR para ajustar el nivel del contraste. Pulse el botón MENÚ/SELECCIONAR para confirmar y guardar el ajuste. Pulse el botón de ALIMENTACIÓN para cancelar la selección y volver al sub-menú de NIVEL AVANZADO.



Bloqueo de los controles del receptor

Gire el cursor para seleccionar el parámetro BLOQUEO. Pulse el botón MENÚ/SELECCIONAR para ajustar el ajuste. Gire el mando de MENÚ/SELECCIONAR para activar el Bloqueo del receptor. Pulse el botón MENÚ/SELECCIONAR para confirmar y guardar el ajuste. Pulse el botón de ALIMENTACIÓN para cancelar la selección y volver al sub-menú de NIVEL AVANZADO.

Si el Bloqueo está activado, es necesario desbloquear el receptor antes de poder ajustar ningún parámetro. Para desbloquear el receptor, pulse y mantenga pulsado el botón MENÚ/SELECCIONAR hasta que el icono de BLOQUEO comience a parpadear. Gire el mando de MENÚ/SELECCIONAR hasta que el icono indique "desbloqueado" y pulse entonces el botón MENÚ/SELECCIONAR para confirmar el desbloqueo.

Montaje en Rack

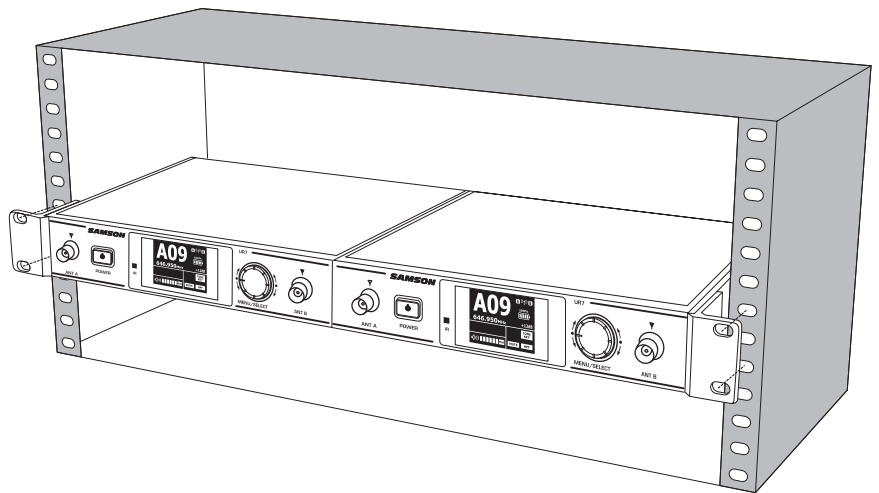
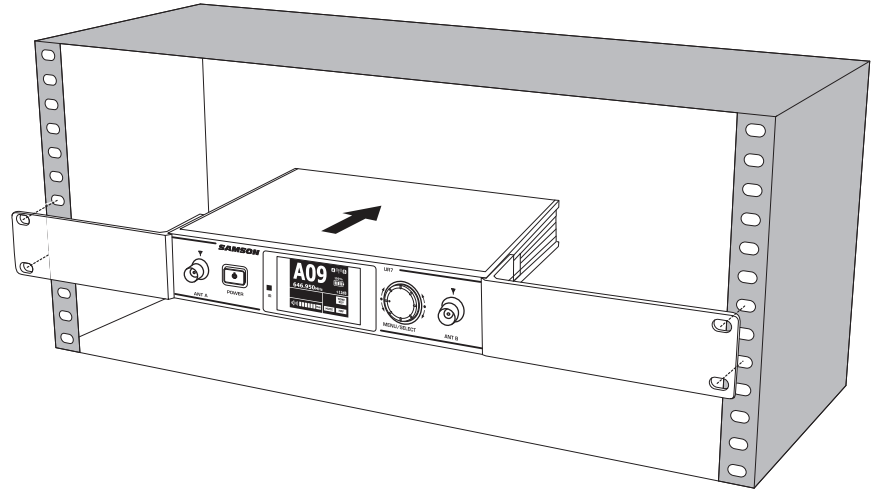
El receptor UR7 puede instalarse en un rack de 19 pulgadas estándar para el transporte o la instalación permanente utilizando las orejetas de rack incluidas.

Fije las orejetas de rack incluidas en cada uno de los lados del receptor UR7. Fije firmemente las orejetas en su lugar utilizando los tornillos incluidos.

Coloque el receptor UR7 en un espacio de rack disponible y deslícelo hasta que las orejetas entren en contacto con los rieles de la caja de rack y estén alineadas con los agujeros del riel de rack.

Monte el receptor en el rack utilizando tornillos de rack del tamaño apropiado (no incluidos). Para asegurar el equilibrio y la distribución uniforme de las tensiones al instalar el receptor, apriete los tornillos siguiendo un patrón cruzado de esquinas opuestas: superior izquierda -> inferior derecha -> superior derecha -> inferior izquierda.

Hay disponible un kit de montaje en rack doble (RKUR7) para montar dos receptores UR7 en un espacio de rack. El kit incluye dos orejetas de rack cortas, una pieza de conexión central y una placa de unión trasera.



ENGLISH

FRANÇAIS

DEUTSCHE

ESPAÑOL

ITALIANO

Planes de Canales

Grupo C 638-668 MHz										
	A	B	C	D	E	F	G	H	I	J
1	638,000	638,200	638,225	638,300	638,425	638,950	639,000	639,200	639,225	639,300
2	640,525	640,725	640,750	640,825	640,950	641,475	641,525	641,725	641,750	641,825
3	643,150	643,350	643,375	643,450	643,575	644,100	644,150	644,350	644,375	644,450
4	645,875	646,075	646,100	646,175	646,300	646,825	646,875	647,075	647,100	647,175
5	648,700	648,900	648,925	649,000	649,125	649,650	649,700	649,900	649,925	650,000
6	651,650	651,850	651,875	651,950	652,075	652,600	652,650	652,850	652,875	652,950
7	654,725	654,925	654,950	655,025	655,150	655,675	655,725	655,925	655,950	656,025
8	657,925	658,125	658,150	658,225	658,350	658,875	658,925	659,125	659,150	659,225
9	661,250	661,450	661,475	661,550	661,675	662,200	662,250	662,450	662,475	662,550
10	664,700	664,900	664,925	665,000	665,125	665,650	665,700	665,900	665,925	666,000

Grupo I 518-547 MHz										
	A	B	C	D	E	F	G	H	I	J
1	518,000	518,200	518,225	518,300	518,425	518,950	520,000	520,200	520,225	520,300
2	521,025	521,225	521,250	521,325	521,450	521,975	522,775	522,975	523,000	523,075
3	524,100	524,300	524,325	524,400	524,525	525,050	525,600	525,800	525,825	525,900
4	527,225	527,425	527,450	527,525	527,650	528,175	528,475	528,675	528,700	528,775
5	530,400	530,600	530,625	530,700	530,825	531,350	531,400	531,600	531,625	531,700
6	533,600	533,800	533,825	533,900	534,025	534,550	534,350	534,550	534,575	534,650
7	536,850	537,050	537,075	537,150	537,275	537,800	537,350	537,550	537,575	537,650
8	540,150	540,350	540,375	540,450	540,575	541,100	540,400	540,600	540,625	540,700
9	543,475	543,675	543,700	543,775	543,900	544,425	543,475	543,675	543,700	543,775
10	546,850	547,050	547,075	547,150	547,275	547,800	546,600	546,800	546,825	546,900

Grupo F* 606-634 MHz										
	A	B	C	D	E	F	G	H	I	J
1	606,000	606,200	606,225	606,300	606,425	606,950	607,000	607,200	607,225	607,300
2	608,525	608,725	608,750	608,825	608,950	609,475	609,525	609,725	609,750	609,825
3	611,150	611,350	611,375	611,450	611,575	612,100	612,150	612,350	612,375	612,450
4	613,875	614,075	614,100	614,175	614,300	614,825	614,875	615,075	615,100	615,175
5	616,700	616,900	616,925	617,000	617,125	617,650	617,700	617,900	617,925	618,000
6	619,650	619,850	619,875	619,950	620,075	620,600	620,650	620,850	620,875	620,950
7	622,725	622,925	622,950	623,025	623,150	623,675	623,725	623,925	623,950	624,025
8	625,925	626,125	626,150	626,225	626,350	626,875	626,925	627,125	627,150	627,225
9	629,250	629,450	629,475	629,550	629,675	630,200	630,250	630,450	630,475	630,550
10	632,700	632,900	632,925	633,000	633,125	633,650	633,700	633,900	633,925	634,000

* No para el uso en Estados Unidos y Canadá. Para cualquier pregunta en lo relativo a los canales disponibles en su área, póngase en contacto con su distribuidor de Samson local.

Especificaciones

Sistema

Rango Operativo	100 m (línea de visión)
Respuesta de Frecuencia de Audio	50 Hz - 15 kHz
T.H.D. (Global)	<1% (a AF 1 kHz, RF 46 dBu)
Rango Dinámico	>100 dB ponderado A
Señal a Ruido	>90 dB
Temperatura de Funcionamiento	-10°C (14°F) a +60°C (+140°F)
Frecuencia de Clave de Tono	32,768KHz

Transmisor de Petaca UB7

Conector de Entrada	Mini-XLR (P3)
Impedancia de Entrada	1MΩ
Rango de Ganancia de Entrada	38 dB
Potencia de RF	10 mW EIRP
Requisitos de Alimentación	Dos pilas alcalinas AA (LR6)
Vida de las Pilas	Hasta 15 horas
Dimensiones (A x L x F)	62mm x 20mm x 90mm (2,4" x 0,78" x 3,5")
Peso	139,4g / 5 onzas

Transmisor Manual UH7

Elemento de Micrófono	Q8 Dinámico
Rango de Ganancia de Entrada	28 dB
Potencia de RF	10 mW EIRP
Requisitos de Alimentación	Dos pilas alcalinas AA (LR6)
Vida de las Pilas	Hasta 15 horas
Dimensiones (AxØ)	266 mm x 55 mm (10,5" x 2,2")
Peso	310,2g / 11 onzas

Receptor UR7

Nivel de Salida de Audio	No balanceada +14 dBu / Balanceada +9 dBu
Impedancia de Salida de Audio	No balanceada 810 Ohmios / Balanceada 240 Ohmios
Sensibilidad	-100 dBm / 30 dB sinad
Rechazo de Imagen	>50 dB
Tensión de funcionamiento:	15V
Dimensiones (A x L x F)	215 mm x 45 mm x 189 mm (8,5" x 1,8" x 7,4")
Peso:	1,4 kg / 3,1 libras

En Samson mejoramos continuamente nuestros productos y debido a ello las especificaciones y las imágenes pueden ser objeto de cambios sin previo aviso.


Aviso Consumatori della FCC per i microfoni Wireless

La maggior parte degli utenti non necessita di licenza per usare questo sistema microfonico wireless. Tuttavia, l'uso di questo sistema microfonico senza una licenza è soggetto a certe restrizioni: il sistema non può causare interferenze dannose; deve funzionare a un basso livello di potenza (non superiore a 50 milliwatt); non ha protezione da interferenze ricevute da un qualsiasi altro dispositivo. Gli acquirenti devono anche essere informati sul fatto che FCC sta attualmente valutando l'uso di sistemi microfonici wireless, e che queste regole sono soggetti a cambiamenti. Per maggiori informazioni chiamare FCC al numero 1-888-CALL-FCC (TTY: 1-888-TELL-FCC) o visitare il sito Web dei microfoni wireless FCC all'indirizzo www.fcc.gov/cgb/wirelessmicrophones.

Informazioni di sicurezza importanti

1. Leggere queste istruzioni.
2. Conservare queste istruzioni.
3. Osservare tutte le avvertenze.
4. Seguire tutte le istruzioni.
5. Non usare questo apparecchio in prossimità di acqua.
6. Pulire solo con panno asciutto.
7. Non bloccare alcuna apertura di ventilazione. Installare secondo le istruzioni del fabbricante.
8. Non installare in prossimità di calore come radiatori, stufe o qualsiasi apparecchio (amplificatori compresi) che produca calore.
9. Non rimuovere gli elementi di sicurezza della spina polarizzata o con messa a terra. Una spina polarizzata ha due lamelle, di cui una più larga dell'altra. Una spina con messa a terra ha due lamelle e un terzo contatto di terra. La lamella larga e quella di messa a terra servono alla vostra sicurezza. Se la spina fornita non si adatta alla vostra presa, consultate un elettricista per la sostituzione della presa obsoleta.
10. Proteggere il cavo affinché non venga calpestato o pizzicato in particolare in corrispondenza delle spine, delle prese e dei punti di uscita dall'apparecchio.
11. Usare esclusivamente accessori specificati dal fabbricante.
12. Usare solo con il carrello, il sostegno, il cavalletto, la staffa o il ripiano specificati dal fabbricante, o venduti con l'apparecchio. Quando si usa un carrello, prestare attenzione quando si sposta la combinazione carrello/apparecchio per evitare danni da ribaltamento.
13. Staccare la spina dell'apparecchio durante temporali o quando si prevede di non utilizzarlo per lunghi periodi di tempo.
14. Affidare qualsiasi intervento di assistenza a personale qualificato. L'assistenza è necessaria quando l'apparecchio ha riportato danni in qualsiasi modo: per esempio quando il cavo di alimentazione o la spina sono danneggiati, quando sono stati versati liquidi o sono caduti oggetti sull'apparecchio, quando l'apparecchio stesso è stato esposto a pioggia o umidità, non funziona normalmente o è caduto.
15. Questo apparecchio non deve essere esposto a gocce o schizzi d'acqua, e nessun oggetto pieno d'acqua vi deve essere collocato sopra.
16. Attenzione: per prevenire scosse elettriche, inserire completamente la lamella larga nella fessura larga.
17. Mantenere un buon ambiente di ventilazione intorno all'intera unità.
18. L'adattatore plug-in diretto funge da dispositivo di disconnessione; il dispositivo di disconnessione rimarrà facilmente azionabile.
19. Le batterie (battery pack o batterie installate) non dovranno essere esposte a calore eccessivo come luce solare, fuoco, ecc.



 Se si vuole smaltire questo prodotto, non lo si deve mescolare ai rifiuti generici. Esiste un sistema di raccolta separato per i prodotti elettronici usati, secondo la legislazione che richiede un appropriato trattamento, recupero e riciclaggio.

Gli utilizzatori privati nei 28 stati membri della UE, in Svizzera e in Norvegia, possono conferire gratuitamente i loro prodotti elettronici usati a impianti di raccolta designati o a un rivenditore (quando si acquista un prodotto simile nuovo).

Per i paesi non compresi tra quelli summenzionati, si prega di contattare le autorità locali per essere informati sul corretto metodo di smaltimento. Così facendo, si sarà certi che il prodotto smaltito subisca il necessario trattamento, recupero e riciclaggio, prevenendo in tal modo i potenziali effetti negativi sull'ambiente e la salute umana.

Informazioni di sicurezza importanti

Regole e normative FCC e Industry Canada

I ricevitori wireless Samson sono certificati sotto le FCC Rules part 15 e i trasmettitori sotto le FCC Rules part 74. L'ottenimento di licenza dell'apparecchiatura Samson è responsabilità dell'utente e la possibilità di concessione dipende dalla classificazione dell'utente, dell'applicazione e dalla frequenza selezionata.

Questo dispositivo è conforme con RSS-210 of Industry & Science Canada. Il funzionamento è subordinato alle seguenti due condizioni:

- (1) Questo dispositivo non può causare interferenze dannose
- (2) Questo dispositivo deve accettare qualsiasi interferenza ricevuta, comprese interferenze che possano causare un funzionamento indesiderato.

NOTA: Questa apparecchiatura è stata collaudata e trovata conforme ai limiti per un dispositivo digitale di Classe B, secondo la Parte 15 delle Regole FCC. Questi limiti sono previsti per offrire una ragionevole protezione contro interferenze dannose in un'installazione residenziale. Questa apparecchiatura genera, usa e può irradiare energia in radiofrequenza e, se non viene installata e usata secondo le istruzioni, può causare interferenze dannose alle comunicazioni radio. Comunque, non è garantito che si verificheranno interferenze in una particolare installazione. Se l'apparecchiatura causa interferenze dannose a ricezione radio e TV, il che può essere determinato spegnendo e accendendo l'apparecchiatura, si consiglia l'utente di tentare di correggere l'interferenza con una o più delle seguenti misure:

- Riorientare o spostare l'antenna ricevente.
- Aumentare la separazione tra l'apparecchio e il ricevitore.
- Connettere l'apparecchiatura a una presa su un circuito differente da quello a cui è connesso il ricevitore.
- Consultare il rivenditore o un tecnico Radio/TV esperto per avere assistenza.

AVVISO: Qualsiasi cambiamento o modifica non espressamente approvati dalla parte responsabile della compliance potrebbero annullare l'autorità di far funzionare l'apparecchio.

R&TTE

Questa apparecchiatura è destinato all'uso in applicazioni microfoniche wireless.

L'apparecchiatura è desinata a essere venduta in: AT, BE, CH, CY, CZ*, DK, EE, FI*, FR*, DE*, GR*, HU, IE, IS, IT, LV, LT*, LU, MT*, NL, NO*, PL* PT, RO, SK, SI, ES, SE, UK

*Soggetto a licenza. Si prega di contattare l'autorità nazionale sulle frequenze per informazioni sull'uso legale disponibile nella propria area. Qualsiasi cambiamento o modifica non espressamente approvati da Samson Technologies Corp. potrebbero annullare l'autorità di far funzionare l'apparecchio.

Dichiarazione CE

Noi, Samson Technologies Corporation, con sede all'indirizzo 45 Gilpin Ave, Hauppauge, NY 11788 USA dichiariamo sotto la nostra responsabilità che questi dispositivi sono in conformità con i requisiti essenziali della Direttiva R&TTE

1999/5/EC quando installati secondo le istruzioni di installazione contenute nella documentazione prodotto.

All'effetto che gli standard e/o le specifiche tecniche citate di seguito sono stati applicati come indicato:

EN60065:2002+A1:2006+A11:2008+A2:2010+A12:2011

EN 301 489-1 V1.9.2:2011

EN301 489-9 V1.4.1:2007

EN 300 422-1 V1.4.2:2011

EN300 422-2 V1.3.1:2011

Anno di marcatura CE (Direttiva Bassa Tensione): 2014

I prodotti conterranno la marcatura CE saranno accompagnati del numero di identificazione del Corpo Notificato **0700**. Questa apparecchiatura reca anche l'identificatore di apparecchiatura di Classe 2.

CE 0700 

Introduzione

Congratulazioni per l'acquisto del sistema wireless Samson Synth 7. Il Synth 7 è la soluzione ideale per l'esecutore attivo che necessita di un sistema affidabile, dalle ottime prestazioni audio, per applicazioni wireless.

Il sistema Synth 7 è dotato di elementi completamente metallici, con display di facile lettura e funzioni menù avanzate per un funzionamento senza soluzione di continuità. Il Synth 7 è disponibile in cinque configurazioni. Il sistema vocal handheld include il trasmettitore UH7 handheld con capsula microfonica dinamica Q8. Il sistema beltpack UB7 può essere configurato o col microfono earset SE10, o con il microfono lavalier LM10, o con il microfono headset QV vocale o con un cavo strumento da ¼". Per il viaggio o per l'installazione permanente, il Synth 7 include un kit rackmount standard da 19".

In queste pagine, troverete una descrizione dettagliata delle caratteristiche del sistema wireless Synth 7, istruzioni passo-passo per la sua configurazione e il suo uso, nonché le specifiche complete. Se il vostro sistema wireless è stato acquistato negli Stati Uniti, troverete anche una scheda di garanzia: non dimenticate di compilarla e di spedirla, in modo da poter ricevere supporto tecnico online e informazioni aggiornate su questo e altri prodotti Samson in futuro. Inoltre, potrete consultare il nostro sito Web (www.samsontech.com) per informazioni complete sulla nostra linea di prodotti.

Vi raccomandiamo di conservare i seguenti dati per riferimento, oltre a una copia della vostra ricevuta di acquisto.

Numero di serie del ricevitore: _____

Numero di serie del trasmettitore: _____

Data di acquisto: _____

Nome del rivenditore: _____

Con una cura e una manutenzione appropriate, il vostro sistema wireless Synth 7 funzionerà senza problemi per molti anni. Se il sistema wireless dovesse richiedere un ritorno in assistenza, prima della spedizione dell'unità a Samson dovrà essere ottenuto un numero di Autorizzazione Ritorno (RA). In mancanza di questo numero, l'unità non verrà accettata. Si prega di chiamare Samson al numero 1-800-3SAMSON (1-800-372-6766) per ottenere un numero RA prima di spedire l'unità. Si prega di conservare i materiali di imballaggio originali e, se possibile, di rispeditore l'unità nel suo cartone originale. Se il sistema Synth 7 è stato acquistato fuori dagli Stati Uniti, rivolgersi al proprio distributore locale per informazioni sui dettagli della garanzia e sull'assistenza.

Caratteristiche

- Sistemi wireless UHF true-diversity professionali.
- La Modalità Scan e l'analizzatore spettro su schermo trovano i canali ottimali per una prestazione priva di interferenze.
- La funzione Pilot Tone Squelch/Auto Mute elimina il rumore RF quando il trasmettitore è silenziato.
- Gamma dinamica incrementata per gestire gli input più caldi.
- LCD ricevitore a colori
- L'LCD del trasmettitore indica il livello della batteria e il numero di canale
- Il trasmettitore offre fino a 15 ore di funzionamento continuo su 2 pile AA.
- Portata di funzionamento di 100 metri
- I componenti montabili su rack, tutti in metallo, assicurano efficiente durevolezza

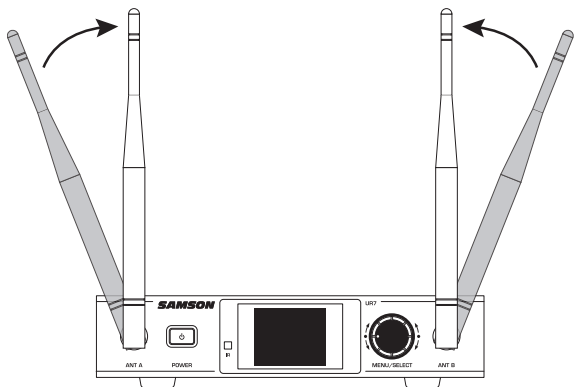
Avvio rapido

Perché il sistema wireless possa funzionare correttamente, sia il ricevitore che il trasmettitore devono essere sullo stesso canale.

Configurazione del ricevitore:

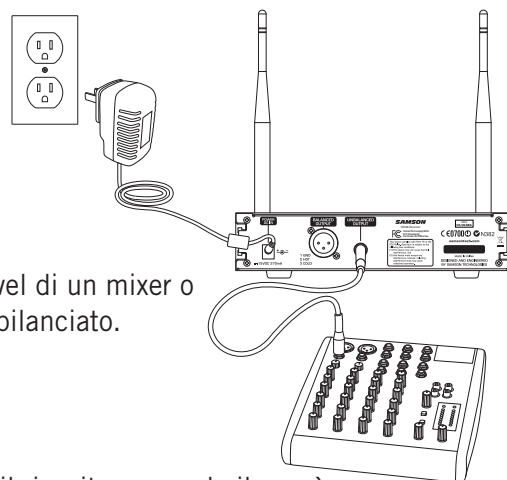
Collocare fisicamente il ricevitore UR7 dove verrà usato. La regola pratica generale è mantenere la “linea di vista” tra il ricevitore e il trasmettitore, in modo che la persona che usa o indossa il trasmettitore possa vedere il ricevitore.

Connect and position the antennas vertically.



Connettere l'adattatore di alimentazione incluso a una presa.

Connettere il jack di uscita del ricevitore UR7 al microfono o all'input line level di un mixer o amplificatore usando l'output XLR bilanciato o l'output line level da 1/4" non bilanciato.



Impostazione del canale ricevitore - Quando si usa un solo sistema, impostare il ricevitore usando il menù Frequency Select. Quando si usano più sistemi Synth 7, usare il menù Group & Channel (gruppo e canale) in modo che ciascun sistema debba essere assegnato allo stesso gruppo al fine di massimizzare il numero di canali compatibili.

Setup di sistema singolo

Premere e mantenere premuto il pulsante power per accendere il ricevitore UR7. Il display del ricevitore si illuminerà.

Premere il tasto MENU/SELECT per entrare nel Menù Principale. Far ruotare l'encoder Menu/Select per evidenziare FREQUENCY SELECT (selezione frequenza) e premere il tasto MENU/SELECT per entrare nel menù.

Scorrere verso il basso per evidenziare SCAN SPECTRUM (spettro di scansione) e premere il tasto MENU/SELECT. Il ricevitore effettuerà la scansione dello spettro wireless e sceglierà un canale disponibile.



Avvio rapido

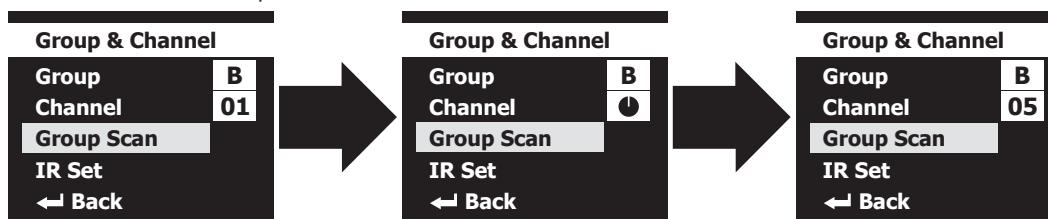
Setup di sistema multiplo

Premere e mantenere premuto il pulsante power per accendere il ricevitore UR7.

Premere il tasto MENU/SELECT per entrare nel Menù Principale. Far ruotare l'encoder Menu/Select per evidenziare GROUP & CHANNEL e premere il tasto MENU/SELECT per entrare nel menù.

Impostare ciascun ricevitore allo stesso Gruppo. Selezionare GROUP e premere il tasto MENU/SELECT. La lettera del Gruppo inizierà a lampeggiare. Ruotare l'encoder MENU/SELECT fino ad avere selezionato il gruppo desiderato e premere il tasto MENU/SELECT per impostare il Gruppo ricevitore.

Selezionare GROUP SCAN e premere il tasto MENU/SELECT. Il ricevitore UR7 effettuerà la scansione del Gruppo selezionato in cerca di un canale disponibile.



Configurazione del trasmettitore:

Installare due pile AA nuove nel belt pack UB7 o nel trasmettitore handheld UH7. Premere e mantenere premuto il pulsante power per accendere il trasmettitore.

Sul ricevitore UR7 fare scorrere verso il basso fino a IR SET e premere il pulsante MENU/SELECT.

Posizionare il trasmettitore a circa 6-12" (15-30 cm) dalla fronte del ricevitore UR7 con la finestra IR del trasmettitore che guarda il trasmettitore IR sul pannello frontale del ricevitore. La finestra IR del trasmettitore UH7 è all'interno dello scomparto batterie. Le finestre IR sull'UB7 sono vicine al display LCD.

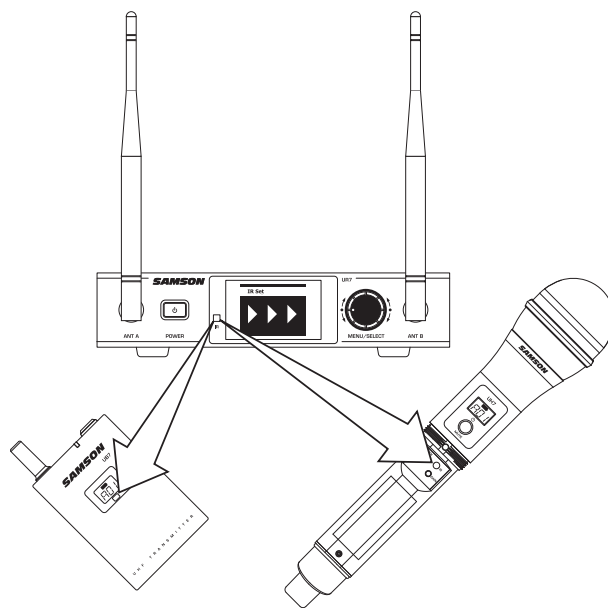
Quando la trasmissione è completa, selezionare BACK o premere il pulsante di accensione sul ricevitore UR7 per ritornare al display principale di performance.

Una volta eseguito l'accoppiamento tra trasmettitore e ricevitore, lasciare il trasmettitore acceso e bloccato prima di effettuare la scansione del gruppo per il canale disponibile successivo. Ciò impedirà al ricevitore dal selezionare un canale che causi interferenza.

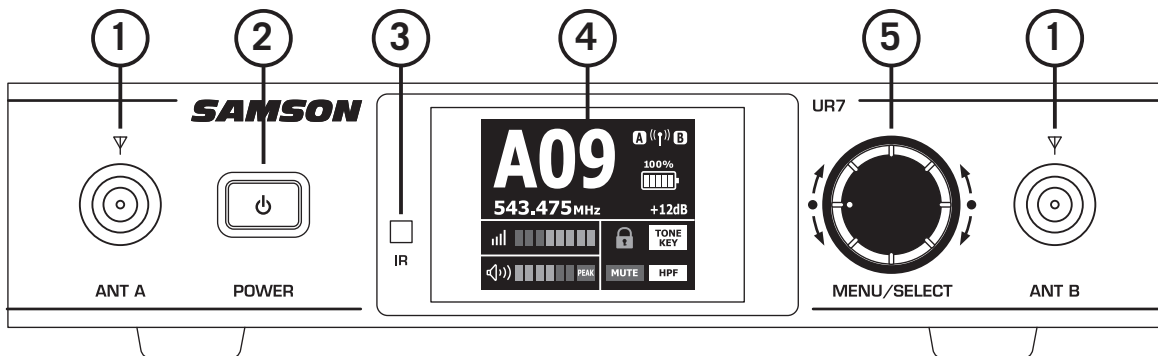
Configurazione del livello di performance

Parlare o cantare nel microfono o, se si sta usando il trasmettitore con uno strumento connesso, suonare lo strumento a livello di performance normale. Aumentare lentamente il volume dell'amplificatore o mixer finché non si raggiunge il livello desiderato.

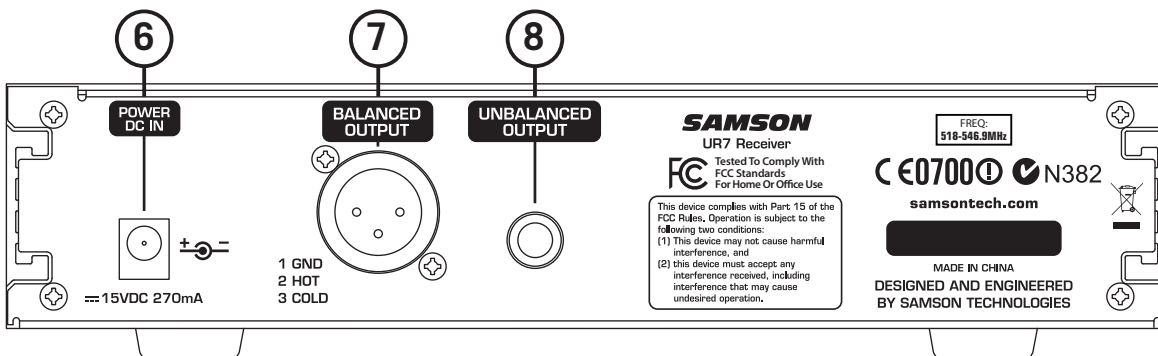
Se si riscontra che il sistema ha perdita di qualità notevoli, un range di funzionamento complessivamente ridotto o burst di rumore inattesi, cambiare canale operativo del sistema usando i passi suddetti.



Legenda Ricevitore UR7



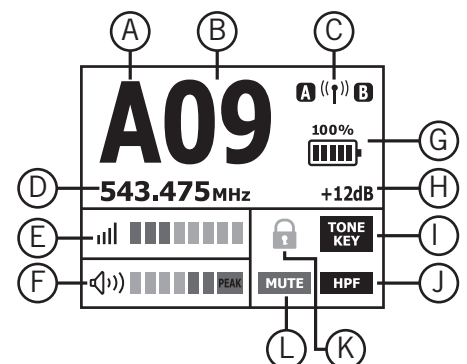
- 1. Jack antenne** - I jack antenna BNC consentono una completa rotazione per un posizionamento ottimale. In funzionamento normale, entrambe le antenne devono essere collocate in posizione verticale.
- 2. Interruttore Power** - Premere e mantenere premuto per accendere o spegnere il ricevitore. Una rapida pressione del pulsante farà spostare all'indietro attraverso i menù.
- 3. Trasmettitore IR** - Durante "IR SET" un codice infrarosso (simile alla selezione di un canale con un telecomando TV) si usa per impostare il canale trasmettitore.
- 4. LCD colori** - Mostra impostazioni trasmettitore e ricevitore e dati di prestazione.
- 5. Controllo MENU/SELECT** - Questo pomello/pulsante controllo encoder rotante si usa per controllare e impostare le funzioni e i parametri menù.



- 6. DC Input** - Connettere qui l'adattatore di corrente fornito. AVVISO: Non sostituire con qualsiasi altro tipo di adattatore di alimentazione. Così facendo si può danneggiare gravemente l'UR7, annullando la garanzia.
- 7. OUTPUT BILANCIATO XLR** - Output livello microfono, elettronicamente bilanciato.
- 8. OUTPUT SBILANCIATO 1/4"** - Output sbilanciato ad alta impedenza a livello strumento.

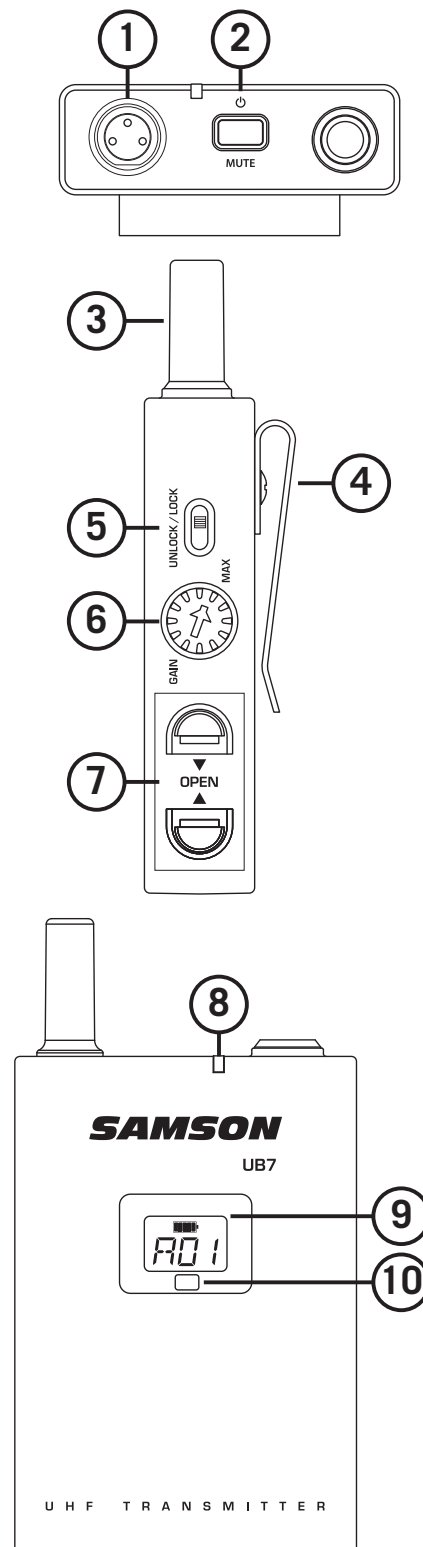
Display LCD

- | | |
|-------------------------------|------------------------------------|
| A. Gruppo | G. Spia batteria trasmettitore |
| B. Canale | H. Livello Output Audio Ricevitore |
| C. Indicatore antenna attiva | I. Indicatore attivo Tone Key |
| D. Frequenza di funzionamento | J. Indicatore Filtro Passa Alto |
| E. Misuratore di segnale RF | K. Blocco ricevitore |
| F. Misuratore audio | L. Indicatore Mute Trasmettitore |



Legenda UB7

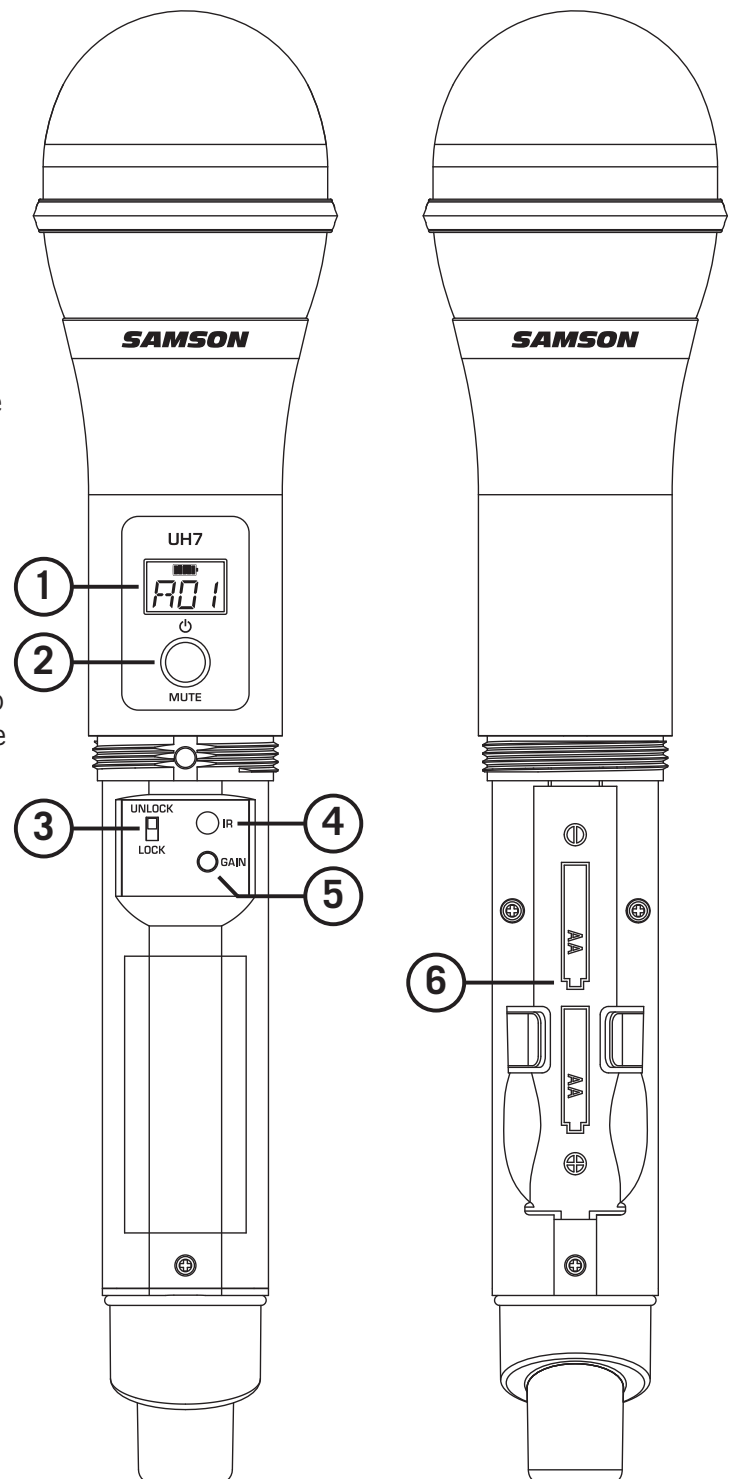
- 1. Connettore di Input** - Connettere il dispositivo di input tramite il connettore mini-XLR.
- 2. Interruttore Power/Mute** - Premere e mantenere premuto per accendere o spegnere l'unità. Premere e rilasciare per silenziare o ripristinare l'audio del trasmettitore (mute/unmute)
- 3. Antenna** - Antenna trasmettitore attaccata in permanenza.
- 4. Belt Clip** - Usare questa clip per fissare il trasmettitore a una cintura o cinghia chitarra.
- 5. Interruttore UNLOCK/LOCK (sblocco/blocco)** - Il blocco dei controlli di sistema impedisce un muting accidentale o una regolazione di canale durante la performance.
- 6. Controllo di Input GAIN (guadagno input)** - questo controllo regola la sensibilità di input del trasmettitore per lavorare con i segnali di input di microfono e strumenti. Per una performance ottimale, impostare il controllo GAIN di input laddove si vede la spia UR7 PEAK che inizia a illuminarsi sotto alti livelli, quindi abbassare lentamente fino a che la luce PEAK smette di lampeggiare o lampeggia solo occasionalmente durante l'input più alto che ciascun canale vedrà.
- 7. Scomparto batteria** - Inserire qui due pile standard AA (LR6), prestando attenzione ai segni di polarità. Per quanto possano essere usate batterie ricaricabili Ni-Cd, esse non erogano corrente adeguata per più di quattro ore.
AVVISO: Non inserire le batterie capovolte; così facendo si può danneggiare gravemente l'UR7, annullando la garanzia.
- 8. Indicatore di Status** - Questo LED si accende in verde quando il trasmettitore è acceso, e in rosso quando il trasmettitore è silenziato.
- 9. Display LCD** - Visualizza gruppo, canale e informazioni livello batteria.
- 10. Lente IR** - Questa finestra serve a catturare il segnale infrarosso inviato dal UR7 durante l'IR SET per canalizzare il trasmettitore.



Legenda UH7

1. **Display LCD** - Visualizza attuale gruppo, canale e informazioni livello batteria.
2. **Interruttore Power/Mute** - Premere e mantenere premuto per accendere o spegnere l'unità. Premere e rilasciare per silenziare o ripristinare l'audio del trasmettitore (mute/unmute)
3. **Interruttore UNLOCK/LOCK (sblocco/blocco)** - Il blocco dei controlli di sistema impedisce un muting accidentale o una regolazione di canale durante la performance.
4. **Lente IR** - Questa finestra serve a catturare il segnale infrarosso inviato dal UR7 durante l'IR SET per canalizzare il trasmettitore. Il coperchio batteria deve essere aperto e la lente IR guardare verso il ricevitore per caricare il canale selezionato.
5. **Controllo di Input GAIN (guadagno input)** - questo controllo regola la sensibilità di input del trasmettitore. Premere per impostare il guadagno. Per una performance ottimale, impostare il controllo guadagno (GAIN) di input a dove si vede l'indicatore UR7 PEAK iniziare a illuminarsi sotto alti livelli, quindi abbassare fino a che la luce PEAK si spegne.
6. **Scomparto batteria** - Aprire lo scomparto batteria premendo la linguetta e sollevando il coperchio. Inserire qui due pile AA (LR&) standard, accertandosi di osservare i segni di polarità più e meno. Per quanto possano essere usate batterie ricaricabili Ni-Cd, esse non erogano corrente adeguata per più di quattro ore.


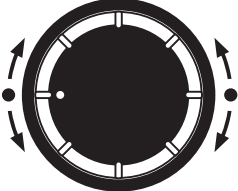
AVVISO: Non inserire le pile invertite; così facendo si può danneggiare gravemente il UH7, annullando la garanzia.



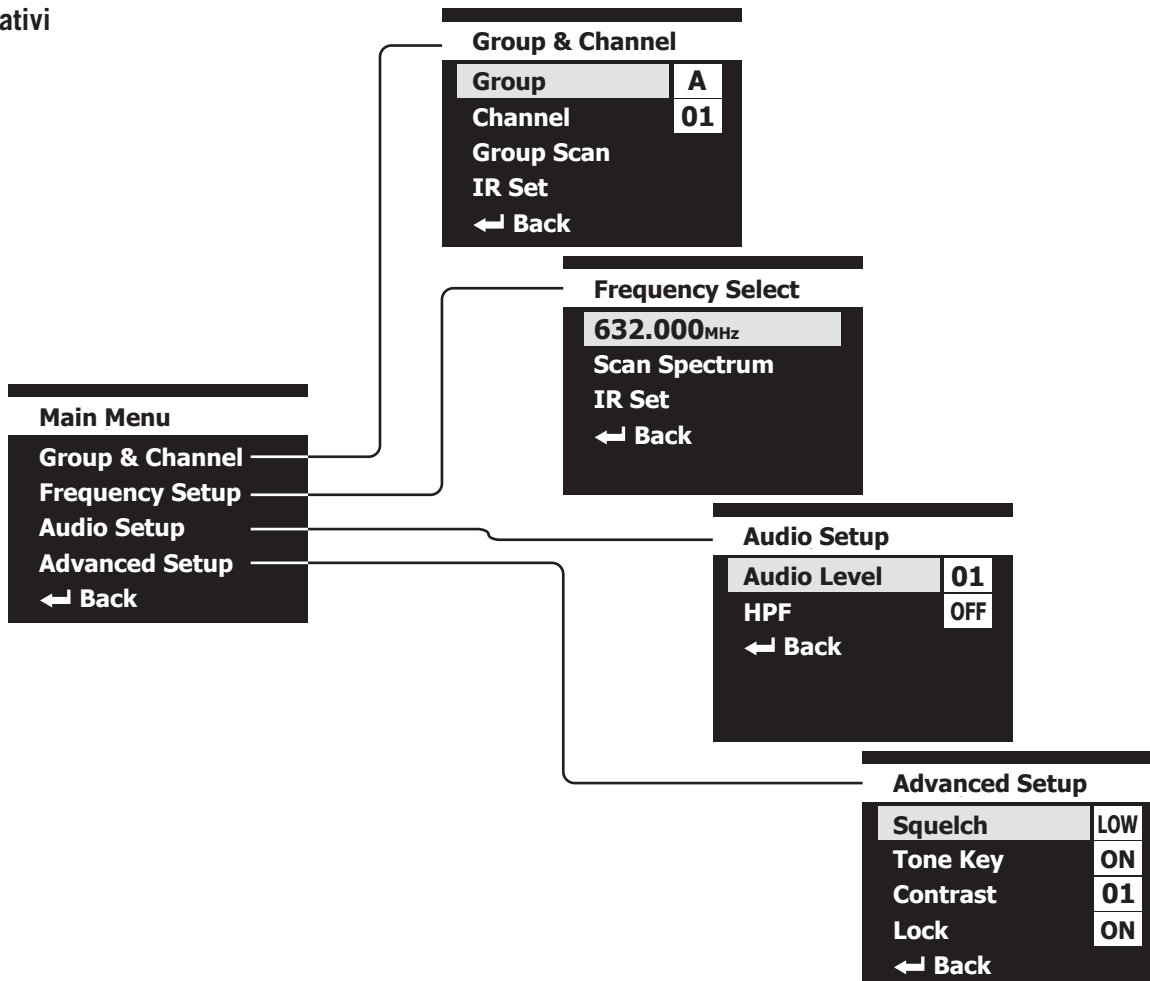
Menù di funzionamento UR7

Il ricevitore UR7 dispone di un menù di funzionamento user friendly, con molteplici funzioni e parametri regolabili. Ciò consente al ricevitore e al trasmettitore di essere rapidamente e facilmente impostato.

Controlli

<p>Tasto POWER</p>  <p>POWER</p>	Premere e mantenere premuti gli interruttori per accendere e spegnere il ricevitore
	Una breve pressione cancella un'immissione e fa ritornare al menù
	Una breve pressione fa tornare indietro attraverso i menù.
<p>Encoder e tasto MENU/SELECT</p>  <p>MENU/SELECT</p>	Premere per entrare nei menù
	Entrare in un sottomenù
	Selezionare un parametro da regolare
	Conferma e memorizza un'impostazione e ritorna al menù corrente
	Ruotare per passare ciclicamente in rassegna le scelte di menù disponibili.
Ruotare per passare ciclicamente in rassegna i parametri disponibili.	

Menù operativi



Parametri menù

Gruppo e Canale

Gruppo	Regola manualmente il Gruppo operativo
Canale	Regolare manualmente il canale con il Gruppo selezionato
Scansione Gruppo	Scansiona i canali gruppo correntemente selezionati e seleziona il segnale più pulito per usare la performance ottimale
IR Set	Invia le informazioni di gruppo e canale ai trasmettitori UH7 e UB7 tramite il set infrarosso.

Group & Channel	
Group	A
Channel	01
Group Scan	
IR Set	
← Back	

Selezione di frequenza

Frequenza	Regolare manualmente la frequenza operativa del ricevitore UR7
Spettro di scansione	Scansiona l'intera banda di frequenza del ricevitore UR7 e seleziona il segnale più pulito per usare la performance ottimale
IR Set	Invia le informazioni di frequenza operativa ai trasmettitori UH7 e UB7 tramite il set infrarosso.

Frequency Select	
632.000MHz	
Scan Spectrum	
IR Set	
← Back	

Configurazione Audio

Livello Audio	Imposta il livello del segnale audio che viene emesso attraverso i jack di output bilanciato e sbilanciato sul pannello posteriore
HPF	Abilita un filtro passa alto sull'output audio. Questo è utile quando si usa il ricevitore con un microfono a mano per ridurre le frequenza inferiori che non si vuole che il microfono raccolga. È utile per rimuovere il rimbombo di palcoscenico

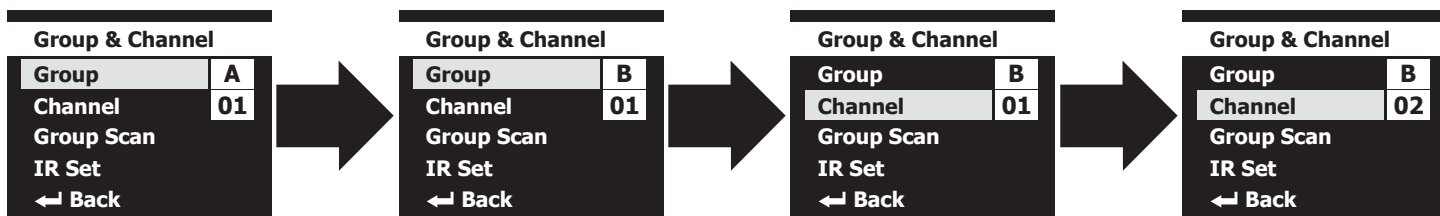
Audio Setup	
Audio Level	01
HPF	OFF
← Back	

Configurazione avanzata

Squelch	Regola la soglia di squelch
Tone Key	Abilita o disabilita il Tone Key Questo è utile quando si imposta il sistema. Durante il funzionamento normale il Tone Key deve essere abilitato.
Contrasto	Regola il contrasto del display ricevitore
Blocco	Blocca i controlli del ricevitore

Advanced Setup	
Squelch	LOW
Tone Key	ON
Contrast	01
Lock	ON
← Back	

Menù Gruppo e Canale



Dalla pagina di performance principale, premere il pulsante MENU/SELECT per entrare nel Menù Principale. Con GRUPPO E CANALE evidenziato, premere il pulsante MENU/SELECT per entrare nel menù GRUPPO E CANALE.

Impostazione Gruppo e Canale

Ruotare il cursore per selezionare il parametro GROUP.

Premere il tasto MENU/SELECT per regolare l'impostazione.

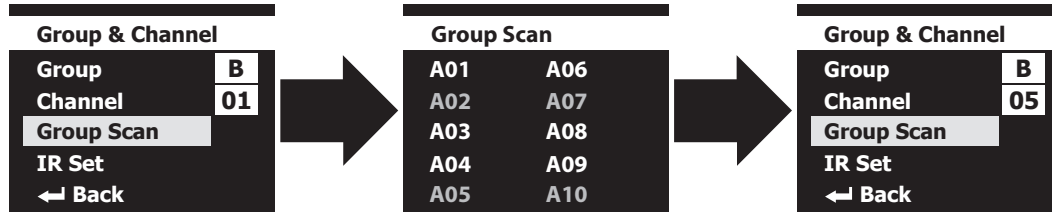
Ruotare la manopola MENU/SELECT per regolare il numero di canale.

Premere il tasto MENU/SELECT per confermare e salvare l'impostazione o premere il tasto POWER per cancellare la selezione e ritornare al sottomenù GRUPPO E CANALE.

Ruotare il cursore per selezionare il parametro CHANNEL. Premere il tasto MENU/SELECT per regolare l'impostazione.

Ruotare il pomello MENU/SELECT per regolare il numero di canale.

Premere il tasto MENU/SELECT per confermare e salvare l'impostazione o premere il tasto POWER per cancellare la selezione e ritornare al sottomenù GRUPPO E CANALE.

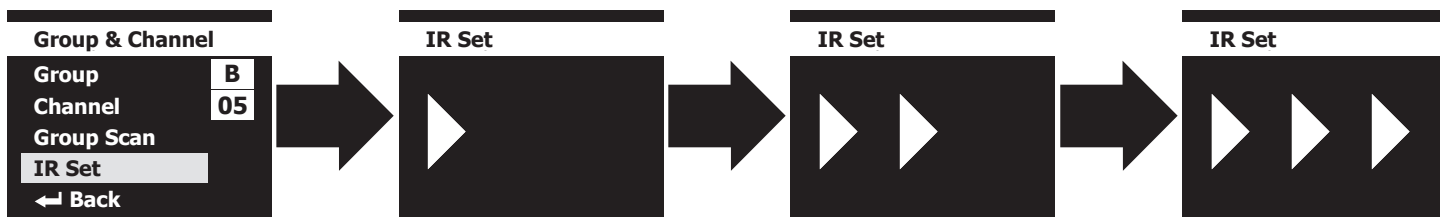


Scansione del gruppo per un canale chiaro

Ruotare il cursore per selezionare il parametro SCANSIONE GRUPPO.

Premere il tasto MENU/SELECT per attivare la funzione scan.

Il display evidenzierà i canali aperti in verde e i canali che hanno interferenza in rosso. Si può usare questo come riferimento quando si seleziona un gruppo per sistema multiplo. Passando in scansione ciascun gruppo, si può trovare il gruppo con il numero più alto di canali liberi.



Impostare gruppo e canale trasmettitore

Ruotare il cursore per selezionare il parametro IR SCAN.

Premere il tasto MENU/SELECT per attivare la funzione IR SET. Mentre l'IR SET è in corso, posizionare il trasmettitore a circa 6-12" (15-30 cm) dalla fronte del ricevitore UR7 con la finestra IR del trasmettitore che guarda il trasmettitore IR sul pannello frontale del ricevitore.

Menù Selezione Frequenza



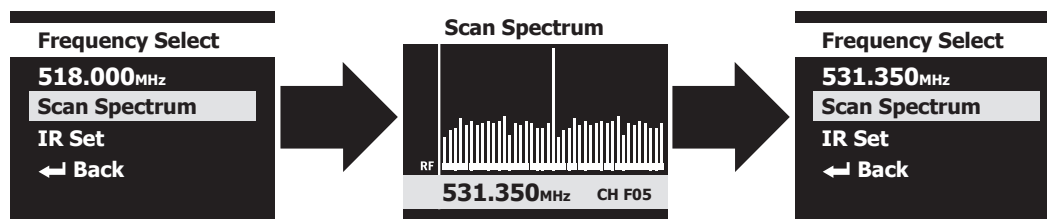
Dalla pagina di performance principale, premere il pulsante MENU/SELECT per entrare nel Menù Principale. Con FREQUENCY SETUP evidenziato, premere il pulsante MENU/SELECT per entrare nel sottomenù FREQUENCY SETUP.

Impostare la Frequenza di Funzionamento

Ruotare il cursore per selezionare il parametro Frequenza. Premere il tasto MENU/SELECT per regolare l'impostazione.

Ruotare la manopola MENU/SELECT per regolare la frequenza di performance.

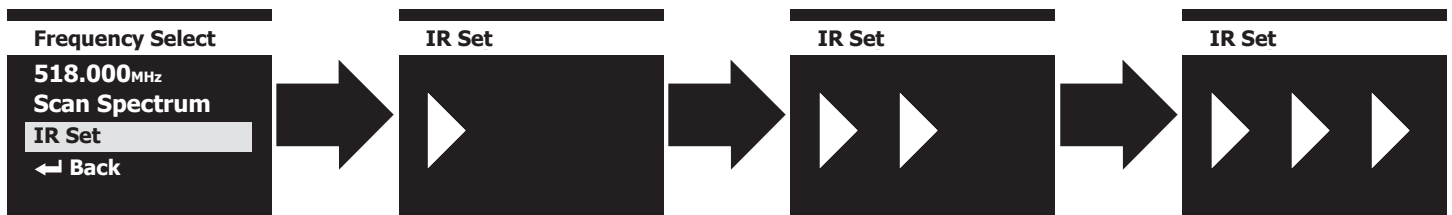
Premere il tasto MENU/SELECT per confermare e salvare l'impostazione o premere il tasto POWER per cancellare la selezione e ritornare al sottomenù FREQUENCY SETUP.



Scansione della banda di frequenza per un canale pulito

Ruotare il cursore per selezionare il parametro SCAN SPECTRUM.

Premere il tasto MENU/SELECT per attivare la funzione scan.

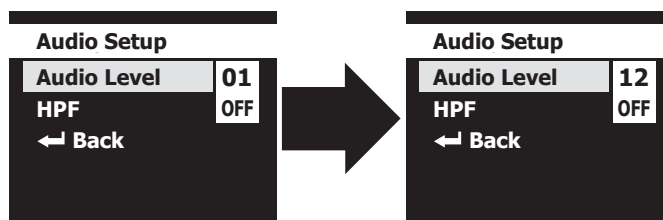


Impostare gruppo e canale trasmettitore

Ruotare il cursore per selezionare il parametro IR SCAN.

Premere il tasto MENU/SELECT per attivare la funzione IR SET. Mentre l'IR SET è in corso, posizionare il trasmettitore a circa 6-12" (15-30 cm) dalla fronte del ricevitore UR7 con la finestra IR del trasmettitore che guarda il trasmettitore IR sul pannello frontale del ricevitore.

Configurazione audio



Dalla pagina di performance principale, premere il pulsante MENU/SELECT per entrare nel Menù Principale. Con AUDIO SETUP evidenziato, premere il pulsante MENU/SELECT per entrare nel sottomenù AUDIO SETUP.

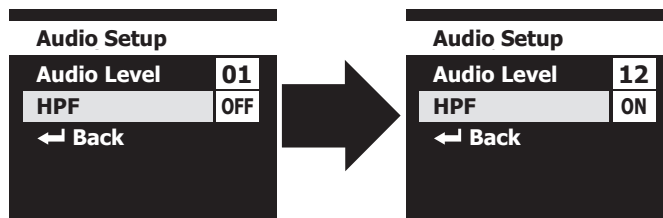
Impostazione di Livello Audio

Ruotare il cursore per selezionare il parametro AUDIO LEVEL.

Premere il tasto MENU/SELECT per regolare l'impostazione.

Ruotare la manopola MENU/SELECT per regolare il livello di output.

Premere il tasto MENU/SELECT per confermare e salvare l'impostazione o premere il tasto POWER per cancellare la selezione e ritornare al sottomenù AUDIO LEVEL.



Abilitazione del Filtro Passa Alto

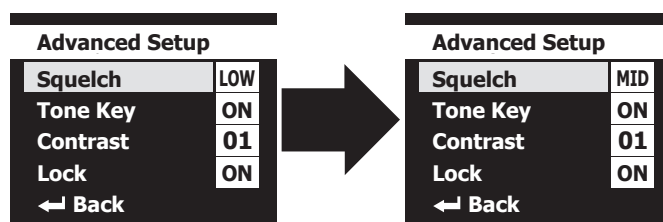
Ruotare il cursore per selezionare il parametro HPF.

Premere il tasto MENU/SELECT per regolare l'impostazione.

Ruotare la manopola MENU/SELECT per accendere o spegnere l'HPF.

Premere il tasto MENU/SELECT per confermare e salvare l'impostazione o premere il tasto POWER per cancellare la selezione e ritornare al sottomenù AUDIO LEVEL.

Configurazione avanzata



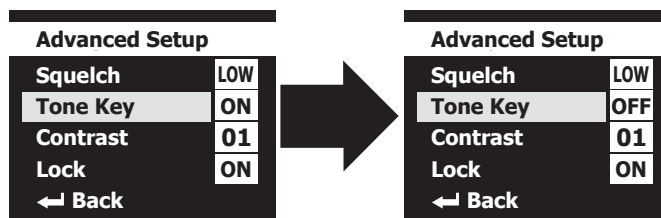
Dalla pagina di performance principale, premere il pulsante MENU/SELECT per entrare nel Menù Principale. Con ADVANCED SETUP evidenziato, premere il pulsante MENU/SELECT per entrare nel sottomenù ADVANCED SETUP.

Regolazione della soglia Squelch

Ruotare il cursore per selezionare il parametro SQUELCH. Premere il tasto MENU/SELECT per regolare l'impostazione. Ruotare il pomello MENU/SELECT per regolare il livello di soglia. Premere il tasto MENU/SELECT per confermare e memorizzare l'impostazione. Premere il pulsante POWER per cancellare la selezione e ritornare al sottomenù ADVANCED LEVEL.

L'impostazione di soglia Squelch aiuta a incrementare la ricezione audio tra il ricevitore e il trasmettitore quando vi è interferenza RF. A mano a mano che la soglia di squelch aumenta, il range complessivo si riduce. Iniziare sempre con lo squelch all'impostazione minima.

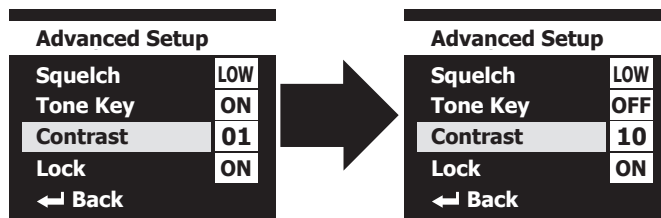
Setup avanzato



Abilitazione del Tone Key

Ruotare il cursore per selezionare il parametro TONE KEY. Premere il tasto MENU/SELECT per regolare l'impostazione. Ruotare il pomello MENU/SELECT per accendere o spegnere il TONE KEY. Premere il tasto MENU/SELECT per confermare e memorizzare l'impostazione. Premere il pulsante POWER per cancellare la selezione e ritornare al sottomenù ADVANCED LEVEL.

Il Tone Key è una frequenza non udibile che viene trasmessa insieme al segnale audio. Assiste nella riduzione dell'interferenza audio da altri dispositivi RF. Quando si tratta di risolvere problemi audio, può essere di aiuto spegnere il tone key. Per la migliore performance, si raccomanda di avere sempre il Tone Key attivato.



Adjust the Display Contrast

Ruotare il cursore per selezionare il parametro CONTRASTO. Premere il tasto MENU/SELECT per regolare l'impostazione. Ruotare il pomello MENU/SELECT per regolare il livello di contrasto. Premere il tasto MENU/SELECT per confermare e memorizzare l'impostazione. Premere il pulsante POWER per cancellare la selezione e ritornare al sottomenù ADVANCED LEVEL.



Blocco dei controlli ricevitore

Ruotare il cursore per selezionare il parametro BLOCCO. Premere il tasto MENU/SELECT per regolare l'impostazione. Ruotare il pomello MENU/SELECT per abilitare il blocco ricevitore. Premere il tasto MENU/SELECT per confermare e memorizzare l'impostazione. Premere il pulsante POWER per cancellare la selezione e ritornare al sottomenù ADVANCED LEVEL.

Se il Blocco è attivato, il ricevitore deve essere sbloccato prima di poter regolare qualsiasi parametro. Per sbloccare il ricevitore, premere e mantenere premuto il pulsante MENU/SELECT fino a che l'icona LOCK lampeggia. Ruotare la manopola MENU/SELECT fino a che l'icona mostra sblocco, quindi premere il pulsante MENU/SELECT per confermare.

Montaggio su rack

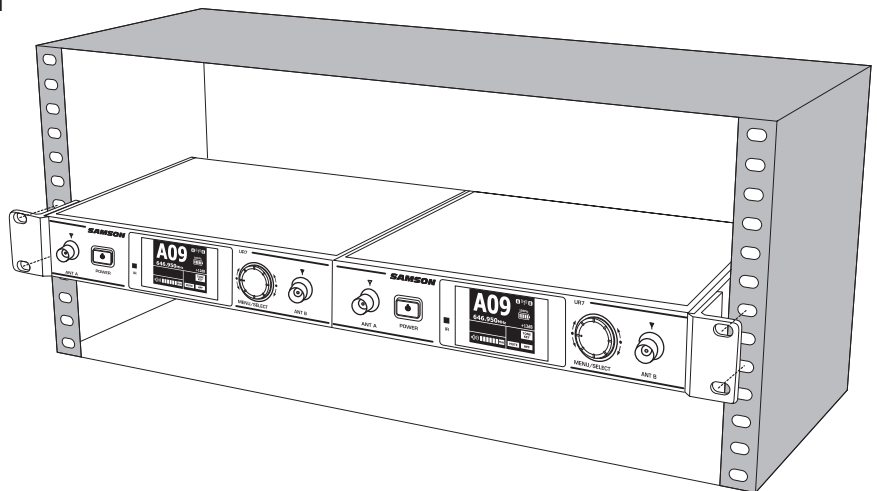
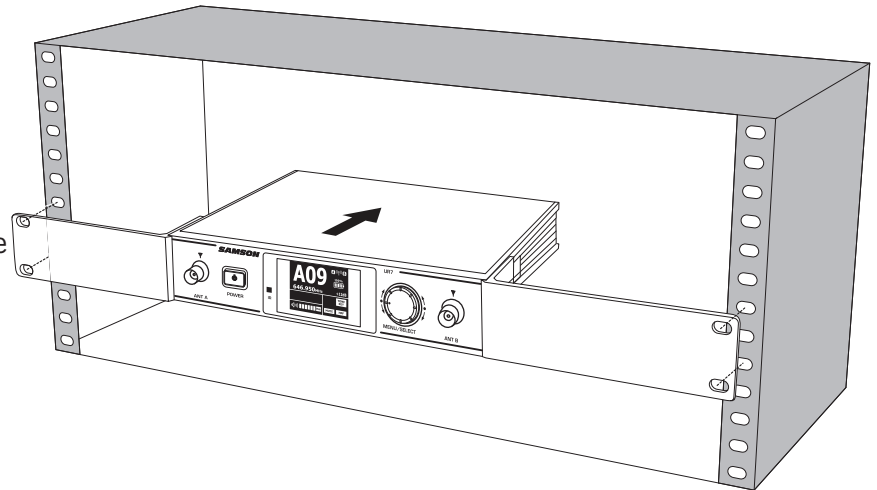
Il ricevitore UR7 può essere installato in un rack standard da 19" per il trasporto o l'installazione permanente usando le orecchie rack incluse.

Attaccare le orecchie rack incluse a ciascun lato del ricevitore UR7. Assicurare le orecchie rack in posto usando le viti fornite.

Posizionare il ricevitore UR7 in uno spazio rack disponibile, e farlo scorrere fino a che le orecchie del rack toccano le guide della cassetta rack e siano allineate con i fori delle guide rack.

Montare il ricevitore nel rack usando le viti rack di dimensioni appropriate (non incluse). Per assicurare uguale tensione e bilanciamento quando si installa il ricevitore, si devono fissare le viti a croce, andando per angoli opposti: in alto a sinistra -> in basso a destra --> in alto a destra -> in basso a sinistra.

Un kit di montaggio rack ricevitore doppio (RKUR7) è disponibile per montare due ricevitori UR7 in uno spazio rack. Il kit include due corte orecchie rack, un pezzo di connessione centrale e una piastra di giunzione posteriore.



ENGLISH

FRANÇAIS

DEUTSCHE

ESPAÑOL

ITALIANO

Piani Canale

Gruppo C 638-668 MHz										
	A	B	C`	D	E	F	G	H	I	J
1	638.000	638.200	638.225	638.300	638.425	638.950	639.000	639.200	639.225	639.300
2	640.525	640.725	640.750	640.825	640.950	641.475	641.525	641.725	641.750	641.825
3	643.150	643.350	643.375	643.450	643.575	644.100	644.150	644.350	644.375	644.450
4	645.875	646.075	646.100	646.175	646.300	646.825	646.875	647.075	647.100	647.175
5	648.700	648.900	648.925	649.000	649.125	649.650	649.700	649.900	649.925	650.000
6	651.650	651.850	651.875	651.950	652.075	652.600	652.650	652.850	652.875	652.950
7	654.725	654.925	654.950	655.025	655.150	655.675	655.725	655.925	655.950	656.025
8	657.925	658.125	658.150	658.225	658.350	658.875	658.925	659.125	659.150	659.225
9	661.250	661.450	661.475	661.550	661.675	662.200	662.250	662.450	662.475	662.550
10	664.700	664.900	664.925	665.000	665.125	665.650	665.700	665.900	665.925	666.000

Gruppo I 518-547 MHz										
	A	B	C`	D	E	F	G	H	I	J
1	518.000	518.200	518.225	518.300	518.425	518.950	520.000	520.200	520.225	520.300
2	521.025	521.225	521.250	521.325	521.450	521.975	522.775	522.975	523.000	523.075
3	524.100	524.300	524.325	524.400	524.525	525.050	525.600	525.800	525.825	525.900
4	527.225	527.425	527.450	527.525	527.650	528.175	528.475	528.675	528.700	528.775
5	530.400	530.600	530.625	530.700	530.825	531.350	531.400	531.600	531.625	531.700
6	533.600	533.800	533.825	533.900	534.025	534.550	534.350	534.550	534.575	534.650
7	536.850	537.050	537.075	537.150	537.275	537.800	537.350	537.550	537.575	537.650
8	540.150	540.350	540.375	540.450	540.575	541.100	540.400	540.600	540.625	540.700
9	543.475	543.675	543.700	543.775	543.900	544.425	543.475	543.675	543.700	543.775
10	546.850	547.050	547.075	547.150	547.275	547.800	546.600	546.800	546.825	546.900

Gruppo F* 606-634 MHz										
	A	B	C`	D	E	F	G	H	I	J
1	606.000	606.200	606.225	606.300	606.425	606.950	607.000	607.200	607.225	607.300
2	608.525	608.725	608.750	608.825	608.950	609.475	609.525	609.725	609.750	609.825
3	611.150	611.350	611.375	611.450	611.575	612.100	612.150	612.350	612.375	612.450
4	613.875	614.075	614.100	614.175	614.300	614.825	614.875	615.075	615.100	615.175
5	616.700	616.900	616.925	617.000	617.125	617.650	617.700	617.900	617.925	618.000
6	619.650	619.850	619.875	619.950	620.075	620.600	620.650	620.850	620.875	620.950
7	622.725	622.925	622.950	623.025	623.150	623.675	623.725	623.925	623.950	624.025
8	625.925	626.125	626.150	626.225	626.350	626.875	626.925	627.125	627.150	627.225
9	629.250	629.450	629.475	629.550	629.675	630.200	630.250	630.450	630.475	630.550
10	632.700	632.900	632.925	633.000	633.125	633.650	633.700	633.900	633.925	634.000

* Non per uso negli USA e in Canada. Per questioni riguardanti i canali disponibili nella vostra area, rivolgetevi al vostro distributore Samson locale.

Specifiche

Sistema

Portata	300' (100m) linea di vista
Risposta frequenza audio	50 Hz - 15 kHz
T.H.D. (Complessiva)	<1% (@AF 1 kHz, RF 46 dBu)
Range dinamico	>100 dB A-weighted
Rapporto segnale/rumore	>90 dB
Temperatura di funzionamento	da -10 °C (14 °F) a +60 °C (+140 °F)
Frequenza Tone Key	32.768KHz

Trasmettitore belt pack UB7

Connettore di input	Mini-XLR (P3)
Impedenza di input	1MΩ
Range guadagno input	38 dB
Potenza RF	10 mW EIRP
Requisiti alimentazione	Due pile alcaline AA (LR6)
Vita batteria	Fino a 15 ore
Dimensioni (A×L×P)	2.4" × 0.78" × 3.5" / 62mm × 20mm × 90mm
Peso	5oz / 139,4g

Trasmettitore Handheld UH7

Elemento microfonico	Q8 Dynamic
Range guadagno input	28 dB
Potenza RF	10 mW EIRP
Requisiti alimentazione	Due pile alcaline AA (LR6)
Vita batteria	Fino a 15 ore
Dimensioni (H×Ø)	10.5" × 2.2" / 266mm × 55mm
Peso	11oz / 310,2g

Ricevitore UR7

Livello output Audio	Sbilanciato +14 dBu / Bilanciato +9 dBu
Impedenza output Audio	Sbilanciato 810 Ohms / Bilanciato 240 Ohms
Sensibilità	-100 dBm / 30 dB sinad
Rigetto immagine	>50 dB
Tensione di funzionamento:	15V
Dimensioni (L×S×A)	8.25" × 1.8" × 7.4" 215mm × 45mm × 189mm
Peso:	3.1lb / 1,4kg

In Samson miglioriamo continuamente i nostri prodotti, e pertanto le specifiche e le immagini sono soggette a cambiamento senza preavviso.

Samson Technologies
45 Gilpin Avenue
Hauppauge, New York 11788-8816
Phone: 1-800-3-SAMSON (1-800-372-6766)
Fax: 631-784-2201
www.samsontech.com