



TeamConnect Ceiling Medium

Model: TCC M

- Quick Guide
 - Kurzanleitung
 - Guide de démarrage rapide
 - Guida rapida
 - Instrucciones resumidas
 - Instruções resumidas
 - Beknopte gebruiksaanwijzing
 - Krótká instrukcja obsługi
 - Snabbguide
- Kort vejledning
 - Pikaohje
 - Σύντομες οδηγίες
 - Kısa Kılavuz
 - Краткая инструкция
 - 快速指南
 - クイックガイド
 - 요약 안내서

SENNHEISER

Online Manual



online at www.sennheiser.com/download

TCCM_

Sennheiser Documentation App



Available on the App Store



Sennheiser electronic GmbH & Co. KG

Am Labor 1, 30900 Wedemark, Germany www.sennheiser.com

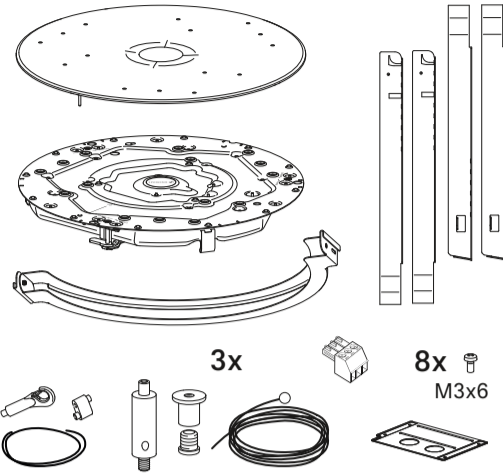
Publ. 05/23, 592867/A03

In the Box

Ceiling Mic Flush Mount Kit

TCC M-F-W
White Version
Art. no. 700170

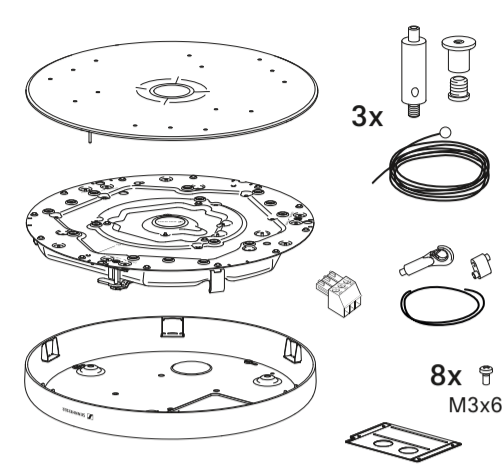
TCC M-F-B
Black Version
Art. no. 700234



Ceiling Mic Housing Kit

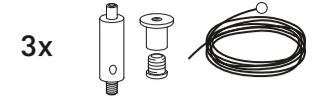
TCC M-S-W
White Version
Art. no. 700294

TCC M-S-B
Black Version
Art. no. 700295

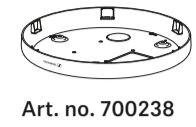


Ceiling Mic M Suspension Kit - TCC M SK

Art. no. 700237



Ceiling Mic Housing - TCC M H

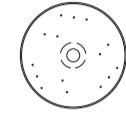


Art. no. 700238



Art. no. 700239

Ceiling Mic Spare Front - TCC M SFP



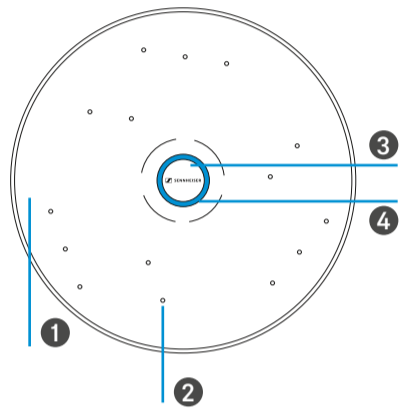
Art. no. 700235



Art. no. 700236

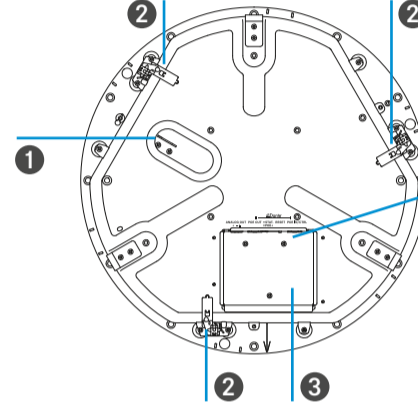
Product Overview

Front



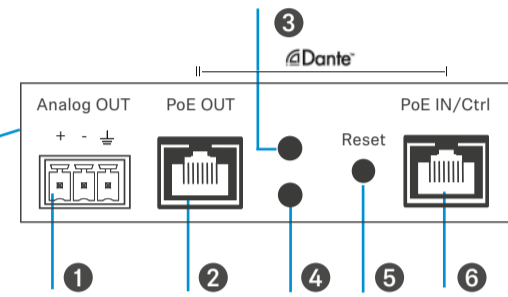
- 1 Frontplate
- 2 Microphones
- 3 Switchable Logo plate
- 4 Status LED Ring

Back



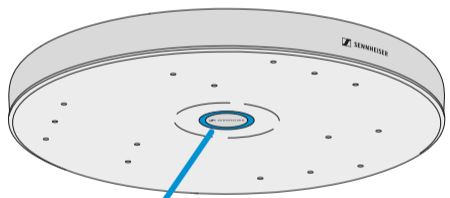
- 1 Hook for safety rope
- 2 Downholder for mounting
- 3 Cable duct

Interfaces

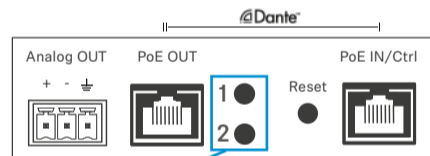


- 1 Analog OUT
- 2 PoE Out / Dante II
- 3 Daisy Chain Status
- 4 PoE Status
- 5 Reset
- 6 PoE IN / CTRL Dante I

Status LEDs

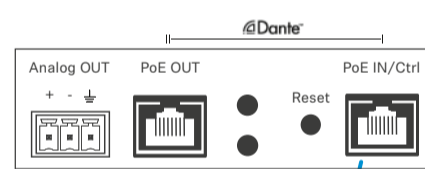


- On
- Mute
- Custom color



- LED 1 PoE Supply Status**
30-60W connected/injected
PoE connected
- LED 2 Daisy Chain Status**
Too many devices connected
Insufficient power supply
PoE connected

Control

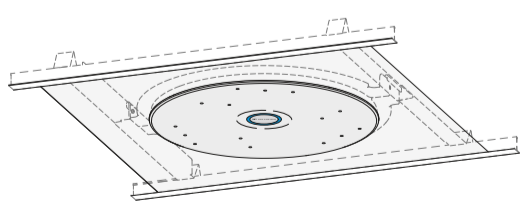


Network Control via software
Sennheiser Control Cockpit
www.sennheiser.com/control-cockpit-software

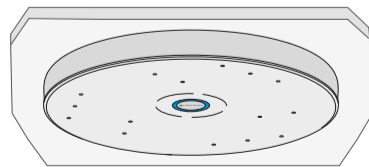
- Connect
- Download
- Register (get a unlock code)
- Initialize device in Cockpit
- Set new password
- Configure & Control

Mounting Options

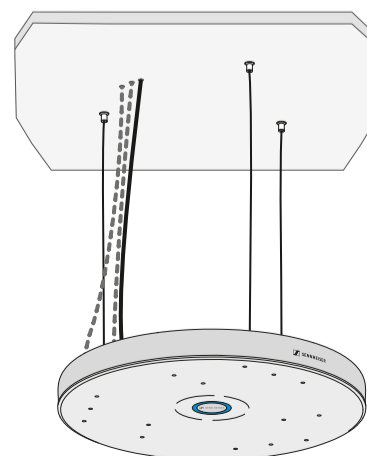
Flush Mounted



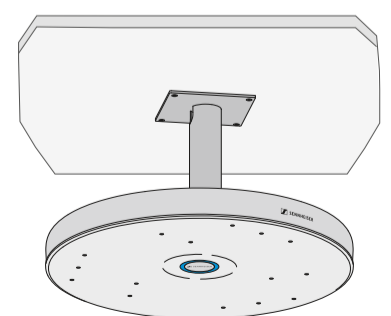
Surface Mounted



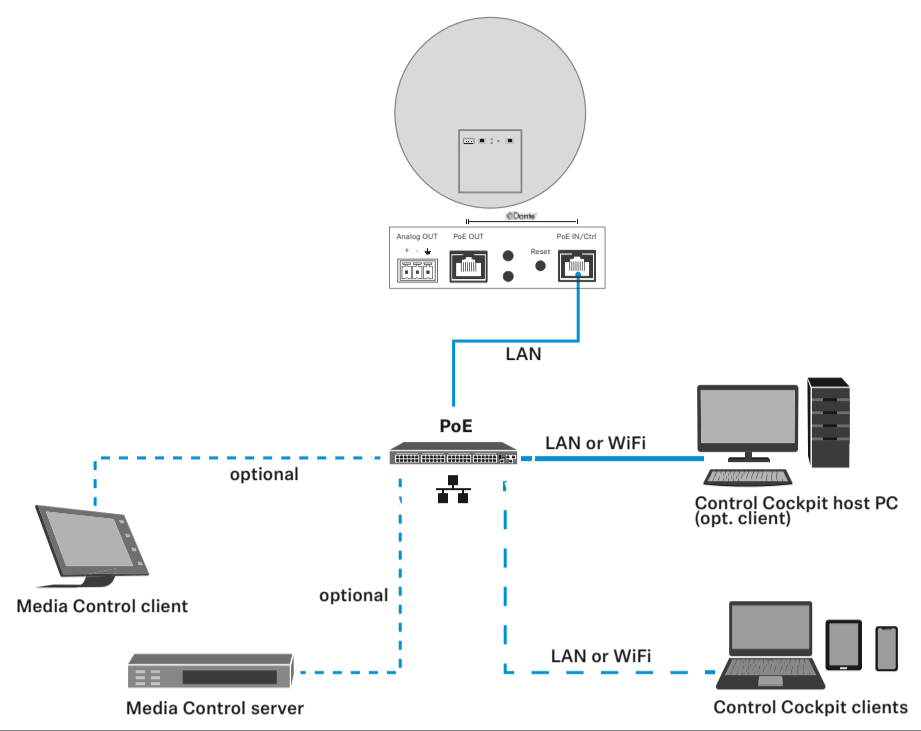
Suspended



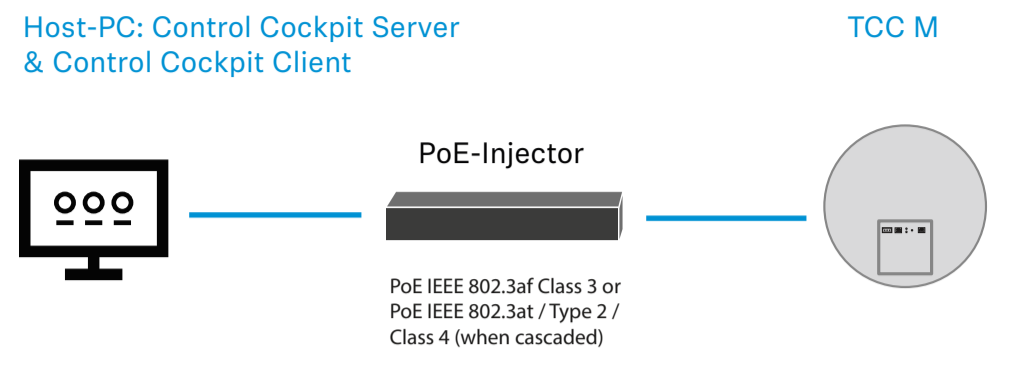
VESA Mounted



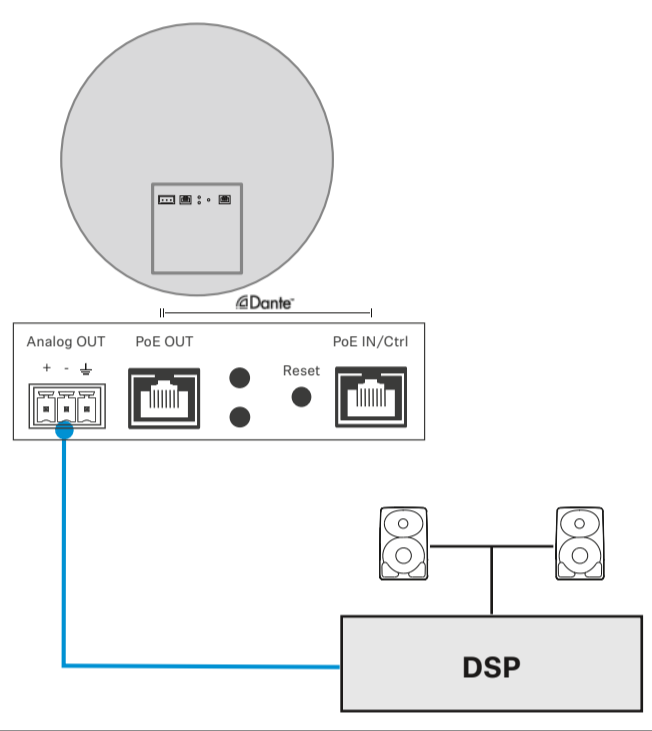
Control / PoE



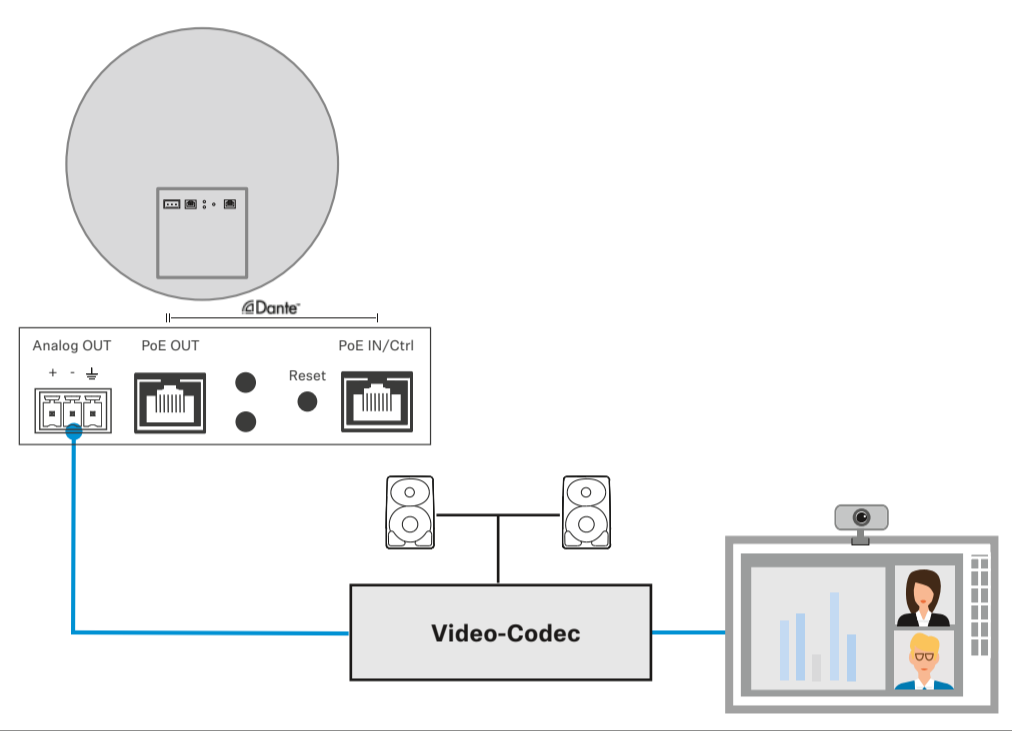
PoE Power Supply



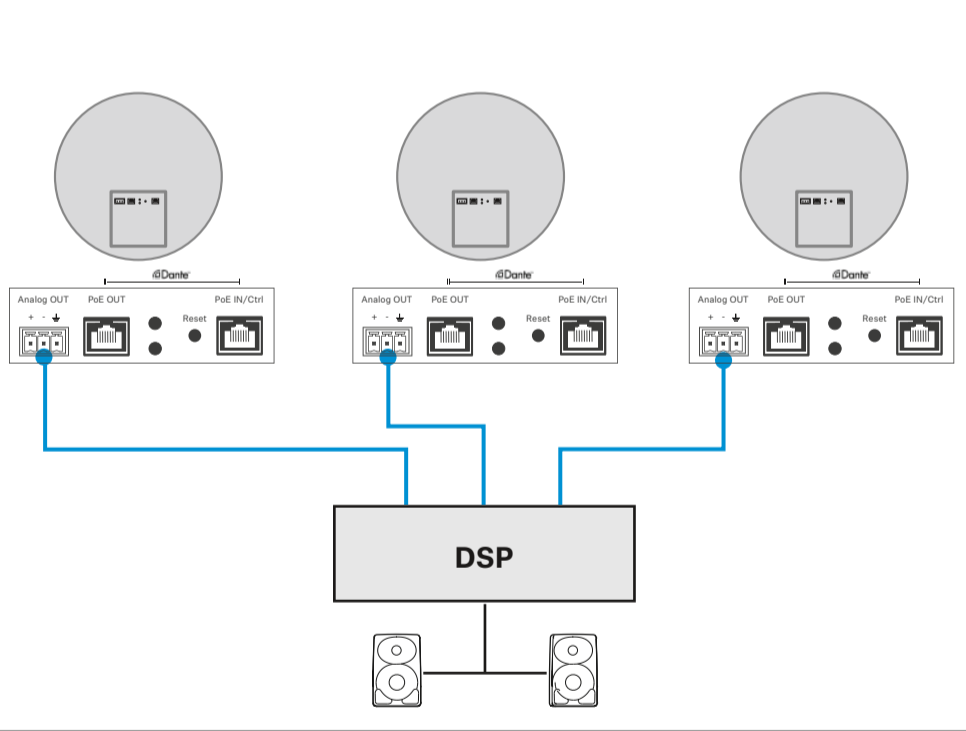
Analog audio signal to DSP



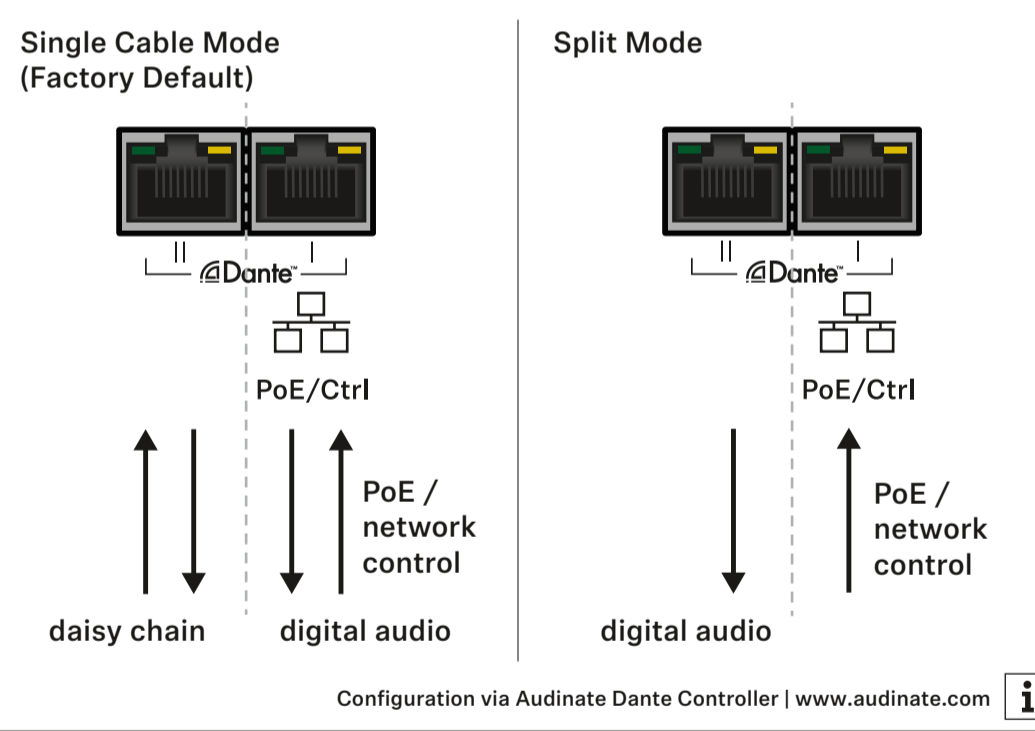
Analog audio signal to Video-Codec



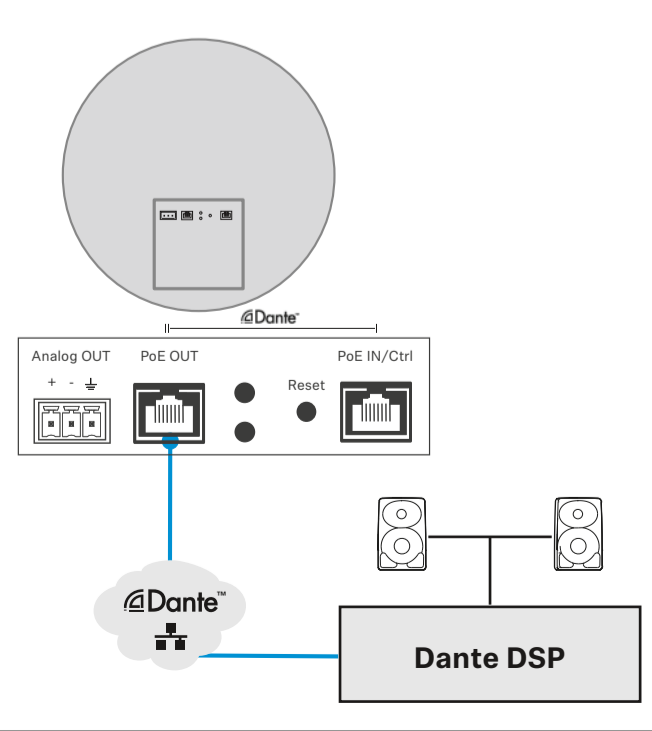
Analog audio signal of multiple TCC M to DSP



Dante™ Single cable / split cable mode



Digital audio signal to Dante™ DSP - Split Mode



Single cable mode - Daisy Chaining

