

# OX STOMP

DYNAMIC SPEAKER EMULATOR

**OX RIG** The Rig is a complete OX sound with speaker cabinet, two cabinet microphones, room sound, and effects. Activate Rig A or B with the footswitches.\*

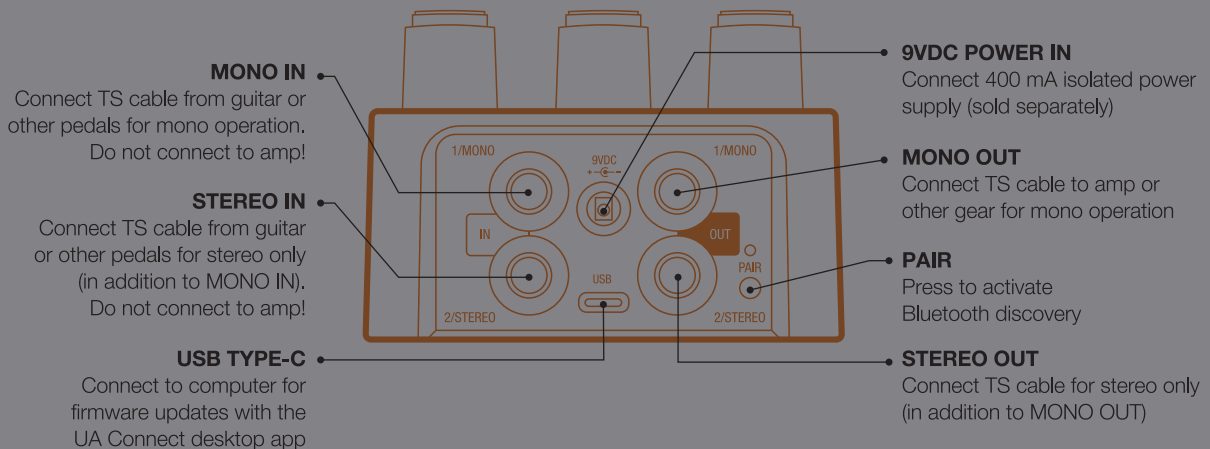
**RIG PRESET** The Rig preset is a stored Rig. The Rig knob loads presets into the active Rig. Knobs and switches may not reflect the sound of the loaded preset.\*

**EDIT & SAVE RIGS** Use the knobs and switches to adjust the active Rig sound. To save your adjustments, hold the active Rig footswitch until the LED blinks.\*



\*Get more Rigs, footswitch modes, and deep editing with the UAFX Control mobile app

**WARNING!**  
OX STOMP IS NOT A LOAD BOX.  
DO NOT CONNECT ANY POWERED AMPLIFIER TO INPUTS.



**Power Supply** Isolated 9VDC, center-negative, 400 mA minimum, 2.1x5.5 mm barrel connector (sold separately)

**Get More** Find more features, firmware updates, and complete docs at [uaudio.com/uafx/start](http://uaudio.com/uafx/start)

