

**AKAI<sup>®</sup>**  
**PROFESSIONAL**

---

**EWISOLO**

**User Guide**

English

# Table of Contents

<b>Introduction .....</b>	<b>3</b>	<b>Appendix.....</b>	<b>21</b>
Support .....	3	Fingering Charts.....	21
Getting Started .....	3	EWI .....	22
Important .....	3	Saxophone.....	23
1. Power the EWI Solo .....	3	Flute.....	24
2. Hold the EWI Solo.....	3	Oboe.....	25
3. Connect .....	4	EVI .....	26
4. Play!.....	5	EVI Reversed .....	26
<b>Features .....</b>	<b>6</b>	Menu Structure.....	27
<b>Operation .....</b>	<b>9</b>	Program List.....	30
Programs .....	9	Technical Specifications .....	32
Saving Programs & Favorites .....	9	Trademarks & Licenses.....	32
Edit Mode .....	10		
Using FX .....	11		
Reverb .....	11		
Chorus .....	11		
Delay.....	12		
Global Menu .....	13		
Other Functions .....	19		
Restoring Default Settings.....	19		
Rechargeable Battery .....	19		
Updating the Firmware .....	20		

## Introduction

Thank you for purchasing the EWI Solo. At Akai Professional, we know how serious music is to you. That's why we design our equipment with only one thing in mind—to make your performance the best it can be.

## Support

For the latest information about this product (documentation, technical specifications, system requirements, compatibility information, etc.) and product registration, visit [akaipro.com](http://akaipro.com).

For additional product support, visit [akaipro.com/support](http://akaipro.com/support).

## Getting Started

### Important

Before operating the EWI Solo, please note the following:

- **Do not bite the mouthpiece too hard**—this can damage the vibrato sensor. Use the mouthpiece cover after using or while carrying the EWI Solo.
- **Always touch the grounding plate and octave rollers when playing.** These are sensors which use the performer's body as the ground.
- **Keep the mouthpiece clean** before, during, and after using the EWI Solo. You can clean its outer surface with a slightly damp cloth.

### 1. Power the EWI Solo

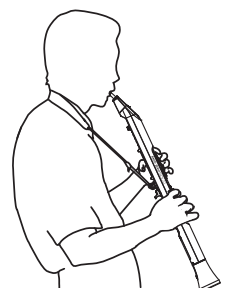
The EWI Solo is powered by a rechargeable battery. Please note the following about using it:

- **Charging:** Use the included USB cable to connect the EWI Solo's USB port to either **(A)** the included USB power adapter, connected to a power source or **(B)** an available USB port on your computer (powered on). You can charge the battery while using the EWI Solo. While charging, the **Power LED** will blink slowly.
- **Power:** EWI Solo will power on automatically when connected to USB. To power on EWI Solo when not connected to USB, press the **Power** button. To power off EWI Solo, press and hold the power button for one second.
- **Battery life:** Check the battery life by viewing battery icon in the lower right corner of the display. Turn or press the **encoder** to activate the display, if necessary.
- **Low-battery warning:** When the battery power is low and EWI Solo is not connected to USB, the **Power LED** will flash quickly and the battery icon in the display will blink to indicate that you should charge the battery.
- **Auto-power-off:** If the EWI Solo detects no activity for approximately **30 minutes**, it will power off automatically. You can disable this option in the **Global Menu**. In general, though, power off the EWI Solo to preserve its battery life when you are not using it.

See [Operation > Other Functions > Rechargeable Battery](#) for more information.

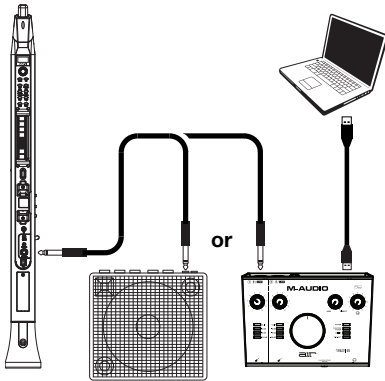
### 2. Hold the EWI Solo

1. Secure the neck strap to the EWI Solo's neck strap mount.
2. Place the strap around your neck and hold the EWI Solo with your left hand on the upper keys and your right hand on the lower keys, with the instrument vertically right in front of you and the bell (speaker) pointed down.
3. When playing, place your left thumb on the octave rollers in the back, and place your right thumb between the thumb-hook and pitch-bend plate. This will ensure the best possible conductivity and performance of the instrument.



### 3. Connect

**Important:** The scenarios below are not mutually exclusive. The EWI Solo can send out audio from its **Line Out**, from its **Phones** jack, and through the built-in **speaker** *all at the same time*. The exception is when the EWI Solo is connected to your computer and powered off (the third scenario in this section): it will send MIDI messages to your computer but not send any audio. To disable the built-in speaker, use the [Global Menu](#).

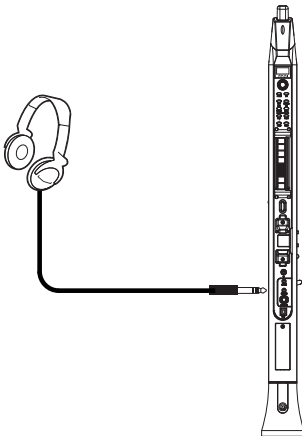


#### To play EWI Solo's audio through an external amplifier, audio interface, etc.:

1. Use a standard 1/4" (6.35 mm) cable to connect the EWI Solo's **Line Out** to the line-level input of your keyboard amplifier, audio interface, etc.

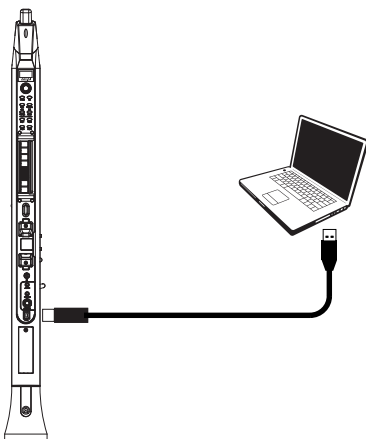
**Important:** The **Line Out** is a mono output. Use a TS or TRS cable to connect to a mono input (like those on most keyboard amplifiers, audio interfaces, etc.).

2. Press the EWI Solo's **Power Button** to power it on.



#### To play EWI Solo's audio through headphones:

1. Connect standard 1/8" (3.5 mm) stereo headphones to EWI Solo's **Phones** jack.
2. Press the EWI Solo's **Power Button** to power it on.



#### To play EWI Solo as a "wired" MIDI controller:

1. Make sure EWI Solo is powered **off**. If it is not, press and hold the **Power Button** for a full second.
2. Use the included USB cable to connect the EWI Solo's USB port to your computer.

Items not listed under [Introduction > Box Contents](#) in the *Quickstart Guide* are sold separately.

## 4. Play!

Hold the mouthpiece gently between your lips with your teeth, and exhale so your breath passes through both sides of your mouth. The EWI Solo detects this wind pressure with the breath sensor and expresses the change in sound volume and character, depending on how you blow. (It should not take much breath to activate the instrument.)

### Tips:

- There is a bite sensor in the mouthpiece. You can produce a vibrato effect by gently biting the mouthpiece, which will bend the pitch up each time you bite, but do not bite too hard.
- You can articulate the notes you're playing by tonguing the mouthpiece for even more expressive control.
- If the EWI Solo's note keys, octave rollers, pitch-bend plate, or glide plates are not very responsive, it could be because you are playing with dry hands (the EWI Solo works by using the body's capacitance). If this happens, you can use a very small amount of non-greasy hand lotion to improve the connection between your hands and the keys. You can also try adjusting the Sensitivity settings of these features in the [Global Menu](#).

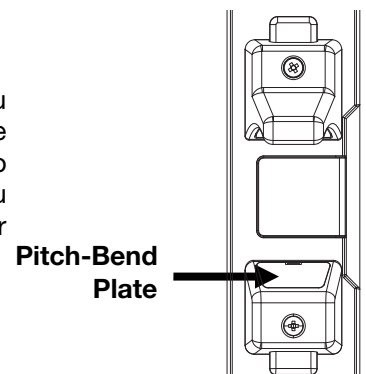
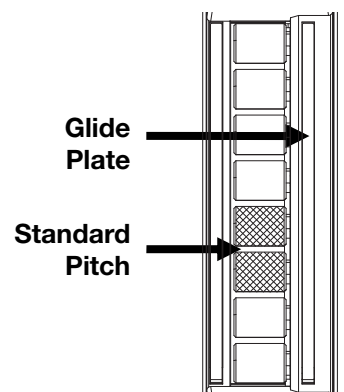
**Note Keys:** The note keys are sensors that let you produce sound with only a light touch. The EWI Solo has multiple fingering options, so it can feel familiar to saxophonists, flutists, etc. You can adjust the position of the three lowest keys by loosening the screws that hold each of them in place, moving them to match your preferred playing style and then retightening the screws.

**Important:** Use caution when loosening the screws as they may become separated from the body of the instrument.

**Octave Rollers:** Place your left thumb between any two octave rollers (and over the grounding plate) on the EWI Solo's back panel. Slide your thumb up or down across the octave rollers to shift its octave range up or down. While playing, keep your left thumb in contact with the octave rollers. The position between the two knurled octave rollers indicates the standard pitch.

**Glide Plate:** While playing a note, move your thumb across the octave rollers (without rolling them) while touching the glide plate on their right side to create a "glide" effect. This will smoothly and continuously slide the pitch up or down—a technique known as *portamento*.

**Pitch-Bend Plate:** Touch your thumb to this plate to move the pitch of the note you are playing up or down depending on your settings, which can be adjusted in the [Global Menu](#) (by default, this is set to pitch down). Before you get accustomed to using this plate, you may produce unexpected sounds by touching it accidentally. You can adjust the position of the plate by loosening its screw, moving it to your preference and then retightening the screw.



## Features

1. **Mouthpiece:** Hold the mouthpiece gently in between your lips with your teeth and exhale into it (like a traditional wind instrument). You can produce a vibrato effect by gently biting the mouthpiece while blowing into it, but **do not bite too hard**.

2. **Note Keys:** Press these keys in different combinations while blowing into the mouthpiece to determine the note. See [Appendix > Fingering Charts](#) for more information.

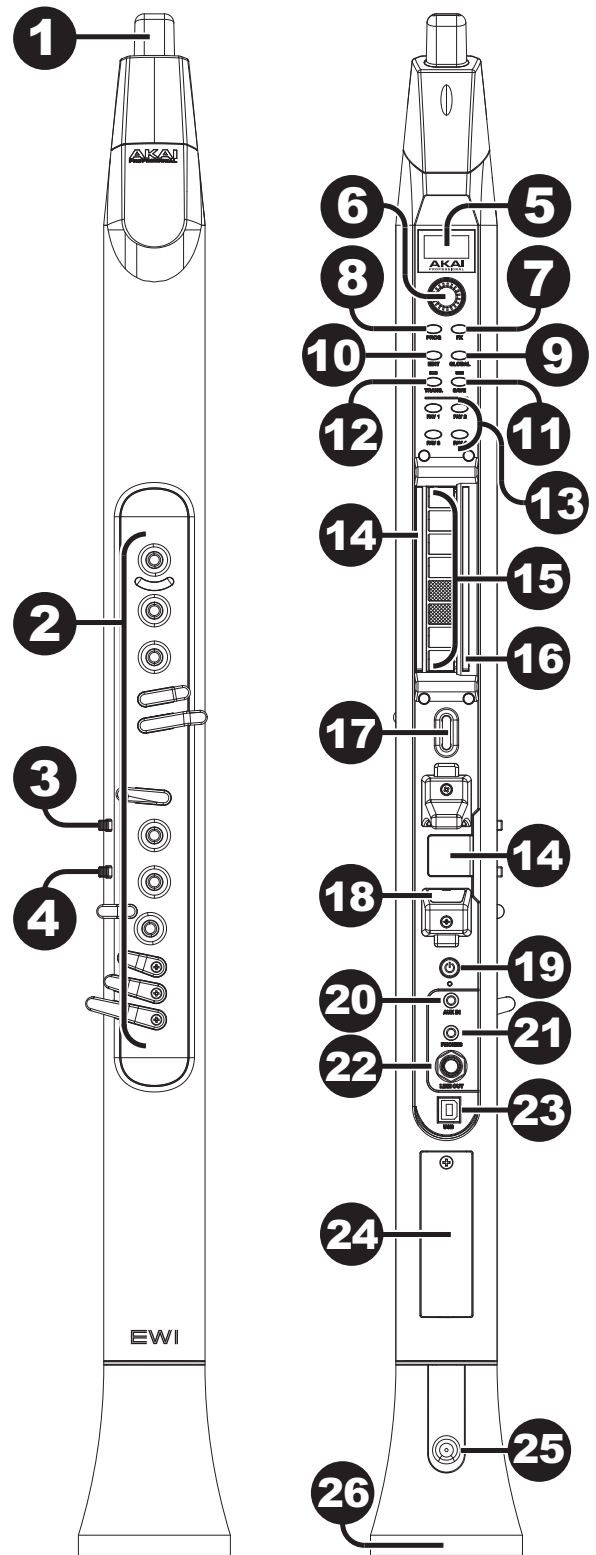
You can adjust the position of the three lowest note keys by loosening their screws, moving them to match your preferred playing style and then retightening the screws.

3. **Hold Button:** Press this button to enter Hold Mode. By default, Hold Mode is set to **Legato**; the first note of a phrase will sustain while you play subsequent notes. Use the [Global Menu](#) to adjust this setting.

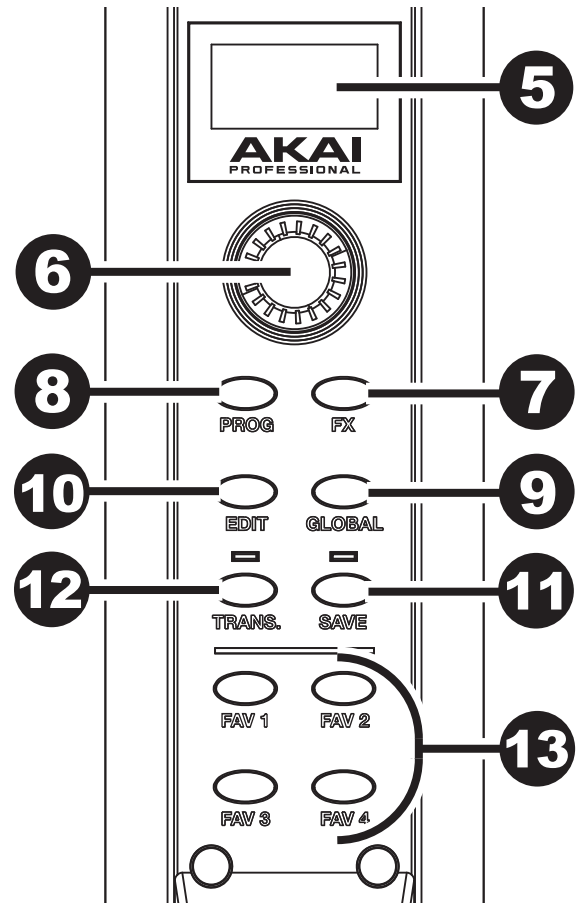
While viewing a **Program** or **Favorites** list, press and hold this button to move to the previous program.

4. **Interval Button:** Press this button to enter Interval Mode. By default, this is set to **Fixed Interval**; when you play a note, that note and the note at the assigned interval will sound (an octave below, by default). Use the [Global Menu](#) to adjust this setting.

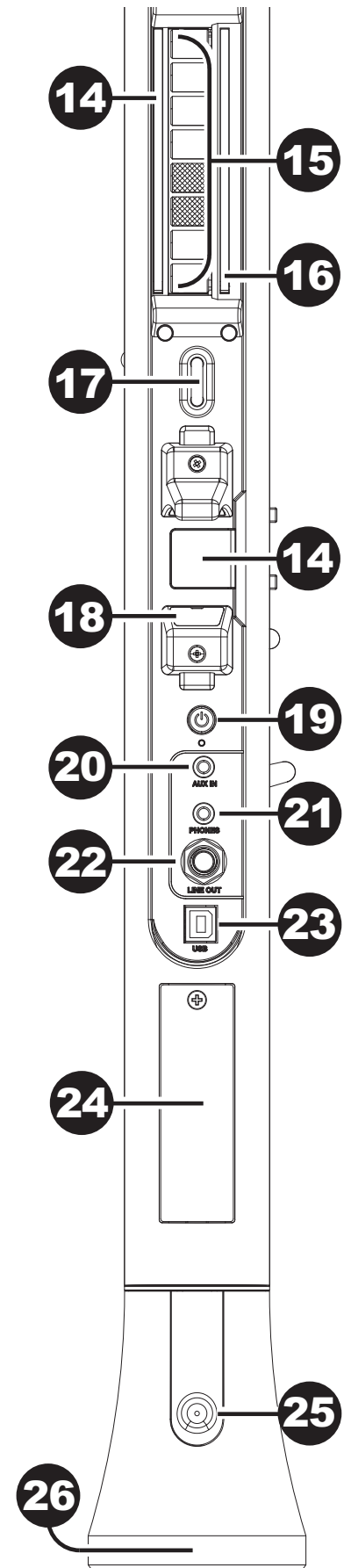
While viewing a **Program** or **Favorites** list, press and hold this button to move to the next program.



5. **Display:** This screen allows you to view programs, browse menus and edit parameters.
  6. **Encoder:** This encoder is used to navigate the display and select presets, depending on which mode is selected. When no mode is selected, turn the encoder to adjust the audio volume.
  7. **FX (Effects) Button:** Press this button to view available effects and set their level. Use the encoder to select **Reverb**, **Chorus**, or **Delay**, and adjust the available parameters. To return to the previous page or exit the FX menu, press the FX button again. See [Operation > Using FX](#) for more information.
  8. **Program Button:** Press this button to view the Program list in the display. Turn the **encoder** to scroll through the programs and press it to load. See [Operation > Programs](#) for more information.
  9. **Global Button:** Press this button to enter the Global Menu, where you can adjust various hardware settings. See [Operation > Global Menu](#) for more information.
  10. **Edit Button:** Press this button to access the program editing controls, where you can adjust the **Pitch Tuning**, **Filter** and **LFO 1/2** settings for the current program. See [Operation > Edit Mode](#) for more information.
- For advanced editing, download the EWI Solo Editor Software at [akaipro.com](http://akaipro.com).
11. **Save Button:** Press this button to save the current program along with any changes to one of four Favorite lists, where you can quickly access your most-used programs. If changes have been made to the preset, the LED above this button will be lit. Selecting another preset before saving will discard any changes. See [Operation > Programs](#) for more information.
  12. **Trans (Transpose) Button:** Press this button to activate or deactivate the transposition function. Its LED will light up when transposition is activated. To adjust the transposition value, press and hold this button, turn the encoder to select the value, and then release this button.
  13. **Favorites Buttons:** Press these buttons to quickly access a list of saved programs. Programs can be added to a list by using the **Save** button. See [Operation > Programs](#) for more information.



14. **Grounding Plates:** Always touch these plates while playing.
15. **Octave Rollers:** Move your thumb up or down over these rollers to shift the note keys' range. You can shift them up to four octaves higher or up to two octaves lower. Always touch these octave rollers while playing. When the rollers are not touched, EWI Solo will play the lowest octave.
16. **Glide Plate:** Touch this plate while playing a note to produce a "glide" effect, which smoothly and continuously slides the pitch up or down—a technique known as *portamento*. This can also be used to send custom MIDI CC messages.
17. **Neck Strap Clip:** Connect the included neck strap here.
18. **Pitch-Bend Plate:** Touch this plate while playing a note to raise or lower its pitch, depending on the **Pitch Bend Plate** setting in the [Global Menu](#). You can adjust the position of this plate by loosening the screw.
19. **Power:** Press and hold this button for a full second when EWI Solo is not connected to USB to power it on or off. A message will appear on the **display** to indicate the unit is powering off.
20. **Aux Input:** Use a 1/8" (3.5 mm) TRS cable to connect this input to the output of an audio device. The signal will be routed to the phones, line out, or speaker, depending on which output is being used.
21. **Phones:** Connect headphones (optional, sold separately) here with a stereo 1/8" (3.5 mm) cable.
22. **Line Output:** Use a 1/4" (6.35 mm) TS or TRS cable to connect this mono output to the input of a keyboard amplifier, audio interface, speaker system, etc.
23. **USB Port:** Use a standard USB cable to connect this port to an available USB port on your computer. This connection will power the EWI Solo and charge its battery as well as send MIDI messages to your computer.
24. **Battery Compartment:** Use a standard Phillips-head screwdriver (not included) to remove the battery compartment cover, install the battery, and re-secure the cover.
25. **Drain Valve:** This valve is used to drain built-up moisture from playing.
26. **Speaker:** This built-in speaker will play the current audio from EWI Solo. Use the encoder while no mode is selected to adjust the volume. To turn the speaker off, use the [Global Menu](#).





## Operation

The EWI Solo is a wind-instrument-type MIDI controller with an internal sound module and built-in effects. It allows you to perform with the articulation of an acoustic instrument but also with the character of an electronic instrument with a wide variety of sounds and tonal colorings.

The EWI Solo is a musical instrument much like other acoustic instruments, so the more you practice, the better you'll play. You may find it challenging at first, but as you find and develop your own playing style, we think you'll find it has unlimited possibilities—there are no hard and fast rules.

For reference, you can see an overview of the entire menu structure of EWI Solo in [Appendix > Menu Structure](#).

## Programs

EWI Solo's internal memory includes 200 built-in programs with a variety of sounds and settings. You can switch from one Program to another to change your sound and sensor settings instantly.

### To select a program:

1. Press the **Prog** button to view the list of programs.
2. Use the **encoder** to scroll through the list, and then press it to select the program.

Alternatively, hold the **Hold** or **Interval** buttons to the previous or next program, respectively, and immediately load it. You can keep holding either button to step through the patches once every second.

You can also use **Direct Mode** to quickly select a specific program:

1. Press and hold either the **Prog** button or one of the **FAV** buttons. Holding the **Prog** button will select from the Program List, and holding a **FAV** button will select from the chosen Favorites list.
2. While still holding, touch one of the 14 keys and blow into the mouthpiece. EWI Solo will load from the first 14 programs in the selected list based on the key you are holding.

**Note:** If you are holding more than one key, the top-most key will be given priority; for example, if you are holding the K2 and K3 keys when you blow into the mouthpiece, the second program or favorite in the list will be selected.

For a full list of programs, see [Appendix > Program List](#).

## Saving Programs & Favorites

When you make changes to a Program, the **Save** LED will light to indicate the changes have not been saved. To save changes to a program, use the **Save** function to add the program to one of four available **Favorites** lists. You can also use this function to organize your favorite presets, such as for a setlist.

### To save a program in a Favorites list:

1. Press the **Save** button.
2. A prompt will appear on the display asking where you would like to save the program. Turn the **encoder** to select **FAV1**, **FAV2**, **FAV3** or **FAV4**, and then press it to confirm.
3. The current list of 25 programs in the chosen Favorites list will be shown. Turn the **encoder** to select the slot where you would like to save your program, and then press it to confirm.
4. A prompt will appear on this display for confirmation. Use the encoder to highlight **Yes**, and then press it to save the program in the selected slot. Select **No** to return to the Favorite list and select another slot or exit.
5. Once the program is saved in the Favorites list, it will automatically be selected. Press the **FAV1**, **FAV2**, **FAV3** or **FAV4** button again to exit the Favorite list.

## Edit Mode

EWI Solo's **Edit Mode** allows you to adjust the internal programs to your preference.

### To use Edit Mode:

1. Press the **Edit** button to enter Edit Mode.
2. Use the **encoder** to scroll through the available edit options: **Pitch Tuning**, **Filter**, **LFO 1** and **LFO 2**.
  - **Pitch Tuning:** This determines the coarse pitch tuning of the program, up to an octave lower or higher than the pitch played (-1200 – 0 – +1200 cents).
  - **Filter:**
    - **Cutoff:** This determines the center frequency of the filter (-100 – 0 – +100%).
    - **Resonance:** This determines the amount of additional amplification of the cutoff frequency (0 – +22.5 dB).
  - **LFO 1:** This low-frequency oscillator is a slow-moving sine wave that can be used to modulate the filter, pitch or amplitude.
    - **Frequency:** This determines the speed of the LFO (-100 – 0 – +100%).
    - **Delay:** This determines the amount of time before the LFO is activated (10.0 ms – 9.99 s).
    - **Amplitude:** This determines how much the LFO affects volume, creating a tremolo effect (0.0 dB – +12.0 dB).
    - **Filter:** This determines how much the LFO affects the filter, creating "wah-wah" effects (-100 – 0 – +100%).
  - **LFO 2:** This determines the amount of modulation (**CC#1**) applied to the program.
    - **Frequency:** This determines the speed of the modulation's low-frequency oscillator (-100 – 0 – +100%).
    - **Delay:** This determines the amount of time before the LFO is activated (10.0 ms – 9.99 s).
    - **Pitch:** This determines the coarse pitch tuning of the LFO (-1200 – 0 – +1200).
3. Push the **encoder** to view the selected option's parameters.
4. Turn the **encoder** to adjust the parameter, and then press the **Edit** button to return to the previous page.
5. Press the **Edit** button again at any time to exit Edit Mode.

If you like the adjustments you have made and want to save them to the program, press the **Save** button and then use the **encoder** to select a Favorite list where the program will be saved. See [Programs > Saving Programs & Favorites](#) for more information on saving changes to a Program.

**Important:** When saving, only the settings that apply to the program will be saved. Settings that apply to the EWI Solo will affect all Programs because they affect the sensors and tuning of the EWI Solo hardware itself.

## Using FX

You can use the EWI Solo's FX Menu to apply and edit three different effects to its audio output: **Reverb**, **Chorus**, and **Delay**.

**Important:** Your EWI Solo's audio output must be enabled to edit its effects. If you are using it as a MIDI controller only (its **Preset LED** is flashing), enable its audio output by pressing and holding the **Power Button** until its **Preset LED** is lit solid.

**Tip:** When FX are added to a Program, the **Save** LED will light to indicate changes have been made. See [Programs > Saving Programs & Favorites](#) for more information on saving changes to a Program.

### Reverb

Reverb is a spatial effect, simulating the nuanced reverberation of sound in the space of a particular room.

#### To add Reverb to the Program:

1. Press the **FX** button.
2. Use the **encoder** to select **Reverb**, and then press it to select.
3. Use the **encoder** to select the Reverb setting, and then press it to select: **Off**, **Small Room**, **Large Room**, **Hall**, **Cavern** or **Custom**.

The Custom setting has the following parameters:

- **Level:** This determines the amount of reverb (**0–100**).
- **Damping:** This determines the how much the simulated room absorbs high frequencies as the reverberated sound decays over time (**0** [no absorption] – **100** [most absorption]).
- **Room:** This determines the size of the room simulated (**0** [smallest] – **100** [largest]).

Use the **encoder** to select the parameter, and then press it to move to the next page. Turn the **encoder** to change the parameter value, and then press the **FX** button to move back to the previous page.

4. To exit the FX menu, press the **FX** button again.

### Chorus

The Chorus effect modulates the pitch and a delay of the input signal, which are then added to the dry signal. In small amounts, this creates the illusion of multiple voices playing at once.

#### To add Chorus to the Program:

1. Press the **FX** button.
2. Use the **encoder** to select **Chorus**, and then press it to select.
3. Use the **encoder** to select the Chorus setting, and then press it to select: **Off**, **Light**, **Medium**, **Heavy** or **Custom**.

The Custom setting has the following parameters:

- **Level:** This determines the amount of chorus applied (**0–100**).
- **Rate:** This determines the rate of modulation for the chorus effect (**1–3 Hz**).
- **Depth:** This determines the depth or intensity of modulation for the chorus effect (**0** [subtle] – **100** [heavy]).

Use the **encoder** to select the parameter, and then press it to move to the next page. Turn the **encoder** to change the parameter value, and then press the **FX** button to move back to the previous page.

4. To exit the FX menu, press the **FX** button again.

## Delay

The Delay effect produces an echo of the original signal for a specified period of time.

### To add Delay to the Program:

1. Press the **FX** button.
2. Use the **encoder** to select **Delay**, and then press it to select.
3. Use the **encoder** to select the Delay setting, and then press it to select: **Off, Short, Mirror, Long** or **Custom**.

The Custom setting has the following parameters:

- **Level:** This determines the amount of delay applied (**0–100**).
- **Time:** This determines the rate of the delay (**0.0–742.9 ms**).
- **Feedback:** This determines the amount of delay signal routed back into the effect (**0–100**)

Use the **encoder** to select the parameter, and then press it to move to the next page. Turn the **encoder** to change the parameter value, and then press the **FX** button to move back to the previous page.

4. To exit the FX menu, press the **FX** button again.

## Global Menu

The EWI Solo has been given optimal default settings, but we recommend adjusting them to your preference to get the most out of your performance. You can customize these settings in Global Mode.

**To enter the Global Menu**, press the **Global** button.

**To navigate the Global Menu**, turn the **encoder**.

**To select a submenu or option**, press the **encoder**.

**To move backwards in the Global Menu or exit it**, press the **Global** button.

Though adjusting the settings may seem complicated, you won't need to do it every time you perform. The values you set are essential to the EWI Solo's functionality, and your performance will be much more expressive and precise when the settings match your playing style. Once you adjust everything to your preference, you won't need to adjust anything much further.

You can adjust the following sensors. Click one of them to skip to that part of the chapter.

[\*Breath Sensor\*](#)

[\*Hold Button\*](#)

[\*Bite Sensor\*](#)

[\*Interval Button\*](#)

[\*Key Action\*](#)

[\*LFO/Modulation\*](#)

[\*Fine Tuning\*](#)

[\*MIDI Channel\*](#)

[\*Fingering\*](#)

[\*Speaker\*](#)

[\*Glide Plate\*](#)

[\*30min Idle Shutdown\*](#)

[\*Pitch Bend Plate\*](#)

[\*Patch Font Size\*](#)

## Breath Sensor

The mouthpiece's breath sensor translates the strength of your breath into the volume and character of the note you're playing. It's important to set the sensor's sensitivity so it suits your playing style.

**Tip:** If this is your first time using the EWI Solo, you may want use a "lighter" breath sensor setting for easier blowing. With practice, you can set this control at a "heavier" setting for a more expressive performance.

- **Offset:** This determines the minimum amount of breath required before playing a note (**0–100**).
- **Sensitivity:** This determines how responsive the breath sensor is to the amount of breath you use (**0–100**).
- **Learn Mode:** While blowing into the unit, press the **Hold** or **Interval** buttons to latch minimum or maximum level, respectively. The current **Offset** and **Sensitivity** values are shown at the bottom of the screen.
- **Capture Delay:** This determines how much delay there is between the moment you blow into the mouthpiece and the Note On message is sent (**1–10**).
- **Output Mode:** This determines what type of MIDI data the Breath Sensor sends.
  - **Breath CC:** In this mode, the Breath Sensor sends either a single breath message using **CC#2**, or a high-resolution breath message using both **CC#2** and **CC#34**.  
Select **Low** to send messages using only **CC#2**, or select **Hi** to send messages using both **CC#2** and **CC#34** (an additional message will be sent using **CC#88** before each Note On Message, except when the velocity is locked).
  - **Volume CC:** In this mode, the Breath Sensor sends either a single volume message using **CC#7** or a high-resolution volume message using both **CC#7** and **CC#39**.  
Select **Low** to send messages using only **CC#7**, or select **Hi** to send messages using both **CC#7** and **CC#39** (an additional message will be sent using **CC#88** before each Note On Message, except when the velocity is locked).
  - **Expression CC:** In this mode, the Breath Sensor sends either a single expression message using **CC#11** or a high-resolution expression message using both **CC#11** and **CC#43**.  
Select **Low** to send messages using only **CC#11**, or select **Hi** to send messages using both **CC#11** and **CC#43** (an additional message will be sent using **CC#88** before each Note On Message, except when the velocity is locked).
  - **Aftertouch:** In this mode, the Breath Sensor sends Aftertouch (polyphonic pressure) messages.
  - **Channel Pressure:** In this mode, the Breath Sensor sends Channel Pressure messages.
  - **Custom CC:** In this mode, the Breath Sensor sends a custom MIDI Continuous Controller (CC) message.
    - **Controller Number:** This determines the custom controller number for the Breath Sensor (**0–127**).  
**Important:** We recommend not touching the mouthpiece while changing this parameter to prevent accidentally muting the EWI Solo's output while moving through **CC#7** (Volume).
    - **No Breath:** This determines the value that is sent by the controller number when you are not blowing into the mouthpiece (**0–127**).
    - **Breath:** This determines the value that is sent by the controller number when you are blowing into the mouthpiece (**0–127**).
- **Lock Velocity:** When this is on, the breath sensor will not affect velocity; all Note On messages will be sent with a fixed velocity.
  - **Enable:** This determines whether Lock Velocity is enabled or disabled (**Off, On**).
  - **Output Velocity:** This determines the fixed velocity value sent by Note On messages (**0–127**).
- **Constant Output:** When this is on, the breath sensor sends breath messages with a fixed value and continually outputs sound. This can be useful when working with external effects or using the EWI Solo as a sound source.
  - **Enable:** This determines whether Constant Output is enabled or disabled (**Off, On**).
  - **Output Velocity:** This determines the fixed value for breath messages (**0–127**).

## Bite Sensor

The bite sensor controls the character of the vibrato effect you generate when you bite the mouthpiece while playing a note.

**Note:** The vibrato effect is obtained by biting the mouthpiece many times rather than a single steady bite.

- **Sensitivity:** This determines how responsive the bite sensor is to the amount of pressure used (**0–25**). The higher the value, the less pressure required when biting the mouthpiece.
- **Filter:** A high-pass filter will be applied to the bite sensor (**Off, On**). When this is on, any note that sounds as you bite the mouthpiece will eventually return to its original state, even if you bite continuously.
- **Output Mode:** This determines what type of MIDI data the Bite Sensor sends.
  - **Off:** In this mode, the Bite Sensor is disabled.
  - **Pitch Bend:** In this mode, biting the mouthpiece will bend the pitch of the note being played (**-63 – 0 – +63**).
  - **Add to Breath:** In this mode, biting the mouthpiece will change the **Breath Sensor's** output (**-63 – 0 – +63**).
  - **Custom CC:** In this mode, biting the mouthpiece sends a custom MIDI Continuous Controller (CC) message.
    - **Controller Number:** This determines the controller number that is sent when you bite the mouthpiece (**0–127**).
 

**Important:** We recommend not touching the mouthpiece while changing this parameter to prevent accidentally muting the EWI Solo's output while moving through **CC#7** (Volume).
    - **Not Biting:** This determines the value that is sent by the Controller Number when you are *not* biting the mouthpiece (**0–127**).
    - **Biting:** This determines the value that is sent by the Controller Number when you are biting the mouthpiece (**0–127**).

## Key Action

The EWI Solo's note key action is preset to accommodate rapid changes in fingerings, but you may occasionally produce unexpected sounds, depending on your playing style. In this case, you may find that you can play more smoothly by adjusting the Key Delay.

- **Key Delay:** This determines how long a key must be held before registering a key press (**1–20**).
 

**Tip:** You can play notes more smoothly with a larger Note Delay value, but it may prevent you from playing quickly. We recommend setting as small a value as possible.
- **Key Sensitivity:** This determines how responsive the keys are to touch (**1–15**). The higher the value, the lighter touch required to trigger the note key.
- **Enable K10:** This determines whether the **K10** key is enabled (**On, Off**). By default, the key is enabled. When disabled, the K10 key will have no effect on notes but can still be touched to perform other key actions such as Direct Mode.

## Fine Tuning

This determines the fine tuning of the EWI Solo (**-100 – 0 – +100** cents). For coarse pitch tuning, use the **Pitch Tuning** setting in the **Edit Menu**.

## Fingering

The EWI Solo lets you select from different fingering modes to accommodate different styles of playing.

- **Standard EWI:** This mode is the standard fingering for the EWI Solo, based on the fingering of conventional woodwind instruments.
- **Saxophone:** This mode closely represents the fingerings of a standard saxophone. In this mode, EWI Solo will ignore fingers that are two notes below the highest note.
- **Flute:** This mode closely represents the fingerings of a standard C flute, though flutists will have to familiarize themselves with a few new fingerings to properly adapt their performance to the EWI Solo.
- **Oboe:** This mode resembles that of a standard oboe, though oboists will have to familiarize themselves with a few new fingerings to properly adapt their performance to the EWI Solo.
- **EVI:** *EVI* stands for *electronic valve instrument*. This mode may be useful to players who wish to use fingerings closer to those of a brass instrument.
- **Reverse EVI:** This mode most closely resembles the movement of the left wrist on an actual EVI (recommended mostly for experienced EVI players).

Please refer to [Appendix > Fingering Charts](#) to see the differences between the various fingering modes.

## Glide Plate

The EWI Solo's glide plate lets you use a glide effect called *portamento* to move between notes for greater expressiveness in your performance. Alternatively, you can set the glide plate to send messages for other individual MIDI Continuous Controllers (CCs).

### Important:

Make sure **Portamento** is selected as the Glide Plate mode if you want to use the portamento effect. The EWI Solo's synth needs this setting to be enabled in order for portamento to work properly.

Some sound modules may not handle portamento messages well, which could generate some undesirable sounds. If this is the case, make sure **Portamento** is not selected as the Glide Plate mode.

- **Portamento:** In this mode, the glide plate sends messages using **CC#5** for Portamento.
  - **Time CC Enable:** This determines whether **CC#5** output is enabled (**On**) or disabled (**Off**).
  - **Time CC Data-Up:** This determines the CC number that is sent when you are not touching the plate (**0–127**).
  - **Time CC Data-Press:** This determines the value that is sent with the CC number when you are touching the glide plate (**0–127**).
  - **Switch Enable** When enabled, the glide plate will send its messages using **CC#65 (Off, On)**.
- **Legato Time:** In this mode, the glide plate sends legato time messages using **CC#104**. This is the time between when a note ends as a new note begins. Short times will result in more abrupt changes between notes, while longer times will result in more fluid changes that sound almost slurred.
  - **Data-Up:** This determines the CC number that will be sent when you are not touching the plate (**0–127**).
  - **Data-Press:** This determines the value that will be sent with the CC number when you are touching the plate (**0–127**).
- **Custom CC:** In this mode, the Glide Plate sends a custom MIDI Continuous Controller (CC) message.
  - **Controller Number:** This determines the controller number for the Glide plate (**0–127**).
 

**Important:** We recommend not touching the Glide Plate while changing this parameter to prevent accidentally muting the EWI Solo's output while moving through **CC#7 (Volume)**.
  - **Data-Up:** This determines the CC number that will be sent when you are not touching the plate (**0–127**).
  - **Data-Press:** This determines the value that will be sent with the CC number when you are touching the plate (**0–127**).



## Pitch Bend Plate

When you touch the pitch-bend plate, the EWI Solo will bend the pitch of the note you are playing, allowing you to be more expressive with your performance. Alternatively, you can set the pitch-bend plate to send messages for other individual MIDI Continuous Controllers (CCs).

**Important:** The overall change in pitch varies by how much of the plate your thumb is touching as well how it is touching the plate. Experiment with these settings for the best results.

- **Pitch Bend:** In this mode, touching the Pitch Bend Plate bends the pitch of the note being played (-63 – 0 – +63).
- **Custom CC:** In this mode, the Pitch Bend Plate sends a custom MIDI Continuous Controller (CC) message.
  - **Controller Number:** This determines the controller number sent when you touch the Pitch Bend plate (0–127).

**Important:** We recommend not touching the Pitch Bend Plate while changing this parameter to prevent accidentally muting the EWI Solo's output while moving through **CC#7** (Volume).

- **Data-Up:** This determines the CC number that is sent when you are not touching the plate (0–127).
- **Data-Press:** This determines the value that is sent with the CC number when you are touching the plate (0–127).

## Hold Button

When you press the **Hold** button, the EWI Solo will enter Hold Mode, which allows you to play and hold a note and then play another note or melody line over that held note.

- **Off:** Select this to disable the Hold button.
- **Legato Mode:** In this mode, pressing the **Hold** button before playing a note will activate Hold Mode. The first note you play (or are currently playing) after pressing the **Hold** button will be held out even as you continue play different notes after that using the same breath. Starting a new phrase (i.e., taking a breath and blowing into the mouthpiece again) will result in a new held note.

When set to **No Latch**, the **Hold** button acts as a momentary switch and must be held to activate Hold mode. When set to **latch**, the **Hold** button acts as a toggle switch and must be pressed again to deactivate.

- **Non-legato Mode:** In this mode, the **Hold** button can only be pressed while a note is currently being held. This note will then continue to be held out even as you continue to play different notes and phrases. To change the held note, press (or release) the **Hold** button to deactivate hold mode, and then press the **Hold** button again when you are playing the new note.

When set to **No Latch**, the **Hold** button acts as a momentary switch and must be held to activate Hold mode. When set to **latch**, the **Hold** button acts as a toggle switch and must be pressed again to deactivate.

**Note:** Certain programs will not work with Non-legato Mode as intended. See [Appendix > Program List](#) for more information.

- **Custom CC:** In this mode, the **Hold** button sends a custom MIDI Continuous Controller (CC) message.
  - **Controller Number:** This determines the controller number for the **Hold** button (0–127).
  - **Data:** This determines the value that will be sent when the **Hold** button is pressed while playing (0–127). A value of 0 is sent when released. The **Latch Mode** setting determines the method of release.
  - **Latch Mode:** When set to **No Latch**, the **Hold** button acts as a momentary switch and must be held to activate Hold mode. When set to **latch**, the **Hold** button acts as a toggle switch and must be pressed again to deactivate.

## Interval Button

When you press the **Interval Button**, the EWI Solo will enter Interval Mode, which will cause an additional note—at a particular interval—to sound above or below the fingered note, creating a harmonized sound.

**Important:** While in Interval Mode, portamento messages from the glide plate will be disabled.

- **Off:** Select this to disable the Interval button.
- **Fixed Interval:** In this mode, pressing the Interval button will play a harmony at the interval set here (-24 – 0 – +24).
- **Real-time Interval:** In this mode, the interval is set dynamically while playing:
  - i. Play a note and hold it.
  - ii. While the note is playing, press the **Interval** button.
  - iii. Play another note. The interval between the two notes will be interval of the harmonized voice. Deactivate the interval by pressing the Interval button again.
- **Custom CC:** In this mode, the Interval button sends a custom MIDI Continuous Controller (CC) message.
  - **Controller Number:** Sets the controller number for the Interval button (0–100).
  - **Data:** The value that will be sent when the Interval button is pressed while playing (0–127). A value of 0 is sent when released. The **Latch Mode** setting determines the method of release.
  - **Latch Mode:** When set to **No Latch**, the Interval button acts as a momentary switch and must be held to activate Interval mode. When set to **latch**, the Interval button acts as a toggle switch and must be pressed again to deactivate.

## LFO/Modulation

This determines a minimum amount of modulation (**CC#1**) to be applied. Any additional controls that output to CC#1 are scaled between this minimum amount and 127.

## MIDI Channel

The EWI Solo will send MIDI messages over an assigned MIDI channel (1–16). This channel is also the synth's input channel.

## Speaker

This determines the behavior of the built-in speaker:

- **Off:** The built-in speaker is always off.
- **Off by HP/Line:** The built-in speaker is only off when the **headphone** or **Line Out** ports are in use.
- **On:** The built-in speaker is always on.

## 30min Idle Shutdown

This determines whether the power saving function of EWI Solo is disabled (**Off**) or enabled (**On**). When enabled, EWI Solo will automatically power down to save battery after 30 minutes of inactivity.

## Patch Font Size

This determines the size of the text on the display when viewing the Program list or Favorites (**Small, Large**). By default, this is set to **Large**.

## Other Functions

### Restoring Default Settings

**To return all of the EWI Solo's settings to its factory defaults:**

1. Disconnect the EWI Solo from your computer.
2. Power off the EWI Solo by pressing and holding the **Power** button for a full second and then releasing it.
3. Press and hold the **Program** button, **FX** button, and **Hold** button.
4. Power on the EWI Solo by pressing and holding the **Power** button for a full second.
5. Release all buttons.
6. When powered on, the **display** will show a menu with the following options. Use the **encoder** to select and option and then press it to select.
  - **Continue Normally:** Select this option to power on EWI Solo normally.
  - **Reset GLOBAL Only:** Select this option to reset only the Global settings to factory defaults.
  - **Reset Everything:** Select this option to reset all settings to factory defaults.

If no selection is made after a few seconds, EWI Solo will power on normally.

**Important:** Restoring default settings cannot be undone.

### Rechargeable Battery

EWI Solo is powered by a rechargeable lithium battery. With proper use and treatment, the battery can last for years. Here are some recommendations for getting the longest life from the internal battery.

<b>General Usage</b>	Fully charge the battery before using it.
<b>Storage</b>	For best product longevity, do not store at exceedingly hot (greater than 90°F/32°C) or exceedingly cold (less than 32°F/0°C) temperatures.
<b>Repair</b>	<p>If the battery fails to charge, or if you need to replace the battery for any reason, contact Akai Professional at <a href="http://akaipro.com/support">akaipro.com/support</a>.</p> <p><b>To replace the battery:</b> Use a standard Phillips-head screwdriver (not included) to remove the EWI Solo's battery compartment cover below the <b>USB port</b>, install the battery, and re-secure the cover.</p>
<b>Disposal</b>	Bring the unit to a recycling center or dispose of in accordance with local ordinances.

## Updating the Firmware

The EWI Solo's firmware is easy to update. Follow these steps to update the firmware and take advantage of any new and improved features or functions.

**Tip:** We recommend visiting [akaipro.com](http://akaipro.com) occasionally to check for available updates to the EWI Solo firmware, EWI Solo Editor, and documentation.

### To update the EWI Solo's software:

1. Visit [akaipro.com](http://akaipro.com), find the webpage for EWI Solo, and download and install the latest EWI Solo Editor.
2. Connect your EWI Solo's **USB Port** to your computer using a USB cable.
3. Open the EWI Solo Editor. The software will automatically check whether the firmware on your EWI Solo is up to date and prompt an update if it is not.
4. The software and EWI Solo display will indicate that the update has started

When the update process is successfully completed, the display will instruct you to remove the USB cable from the unit.

If the update process was not successful, the display will show an error message. If this happens, disconnect EWI Solo from your computer, and start again from Step 2.

5. Disconnect EWI Solo from your computer and make sure it is powered off. When you power it on again, you will be ready to play the EWI Solo with the latest firmware!

### If you need to manually update the software from the Editor:

1. In the editor, click the **Settings** button.
2. Click the **Update** button next to the **Firmware Version** number.
3. In the window that appears, locate and select the **.syx** file, and click **Open**. The display will indicate that the update has started.

When the update process is successfully completed, the display will instruct you to remove the USB cable from the unit.

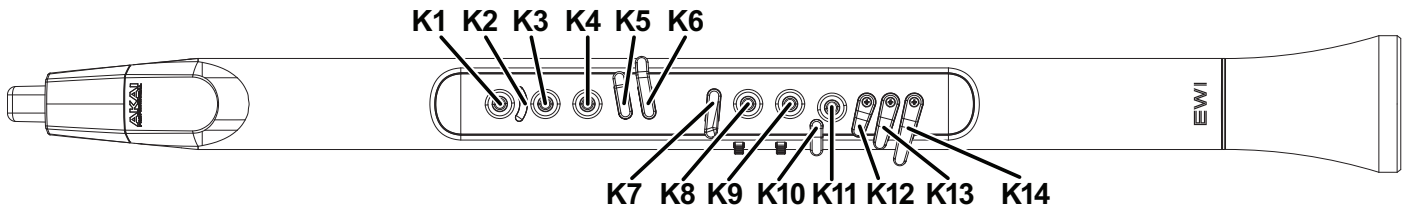
If the update process was not successful, the display will show an error message. If this happens, disconnect EWI Solo from your computer, and start again from Step 2.

4. Disconnect EWI Solo from your computer and make sure it is powered off. When you power it on again, you will be ready to play the EWI Solo with the latest firmware!

If you encounter any other issues, contact us at [akaipro.com/support](http://akaipro.com/support).

## Appendix

### Fingering Charts



The above diagram shows how the note keys are referenced in the following charts for the various fingering modes:

*EWI*

*Oboe*

*Saxophone*

*EVI*

*Flute*

*EVI Reversed*

Use your left hand to play **K1–K6**, and use your right hand to play **K7–K14**.

Note	Note Keys (Left Hand)						Note Keys (Right Hand)							
	K1	K2	K3	K4	K5	K6	K7	K8	K9	K10	K11	K12	K13	K14
A#	●	)	●	●	○	▮	○	●	●	○	●	○	▮	▮
B	●	)	●	●	○	▮	○	●	●	○	●	○	○	▮
B (alt.)	●	)	●	●	○	○	○	●	●	○	●	○	▮	▮
C	●	)	●	●	○	○	○	●	●	○	●	○	○	▮
C (alt.)	●	)	●	●	○	▮	○	●	●	○	●	○	▮	○
C#	●	)	●	●	▮	○	○	●	●	○	●	○	○	▮
C# (alt.)	●	)	●	●	○	○	○	●	●	○	●	○	▮	○
D	●	)	●	●	○	○	○	●	●	○	●	○	○	○
D#	●	)	●	●	○	○	○	●	●	○	●	▮	○	○
E	●	)	●	●	○	○	○	●	●	○	○	○	○	○
F	●	)	●	●	○	○	○	●	○	○	○	○	○	○
F#	●	)	●	●	○	○	○	○	●	○	○	○	○	○
F# (alt.)	●	)	●	●	○	○	○	●	○	▮	○	○	○	○
G	●	)	●	●	○	○	○	○	○	○	○	○	○	○
G#	●	)	●	●	▮	○	○	○	○	○	○	○	○	○
A	●	)	●	○	○	○	○	○	○	○	○	○	○	○
A#	●	)	●	○	○	○	▮	○	○	○	○	○	○	○
A# (alt.)	●	)	○	○	○	○	○	●	○	○	○	○	○	○
A# (alt.)	●	)	○	○	○	○	○	○	○	○	○	○	○	○
B	●	)	○	○	○	○	○	○	○	○	○	○	○	○
C	○	)	●	○	○	○	○	○	○	○	○	○	○	○
C (alt.)	●	)	○	○	○	○	▮	○	○	○	○	○	○	○
C#	○	)	○	○	○	○	○	○	○	○	○	○	○	○
D	○	)	○	○	○	○	▮	○	○	○	○	○	○	○

**Saxophone**

Note	Note Keys (Left Hand)						Note Keys (Right Hand)							
	K1	K2	K3	K4	K5	K6	K7	K8	K9	K10	K11	K12	K13	K14
A#	●	)	●	●	○	▮	○	●	●	○	●	○	▮	▮
B	●	)	●	●	○	▮	○	●	●	○	●	○	○	▮
C	●	)	●	●	○	○	○	●	●	○	●	○	○	▮
C#	●	)	●	●	▮	○	○	●	●	○	●	○	○	▮
D	●	)	●	●	○	○	○	●	●	○	●	○	○	○
D#	●	)	●	●	○	○	○	●	●	○	●	▮	○	○
E	●	)	●	●	○	○	○	●	●	○	○	○	○	○
F	●	)	●	●	○	○	○	●	○	○	○	○	○	○
F#	●	)	●	●	○	○	○	○	●	○	○	○	○	○
F# (alt.)	●	)	●	●	○	○	○	●	○	▮	○	○	○	○
G	●	)	●	●	○	○	○	○	○	○	○	○	○	○
G#	●	)	●	●	▮	○	○	○	○	○	○	○	○	○
A	●	)	●	○	○	○	○	○	○	○	○	○	○	○
A#	●	)	●	○	○	○	▮	○	○	○	○	○	○	○
A# (alt.)	●	)	○	○	○	○	○	●	○	○	○	○	○	○
A# (alt.)	●	)	○	○	○	○	○	○	○	○	○	○	○	○
B	●	)	○	○	○	○	○	○	○	○	○	○	○	○
C	○	)	●	○	○	○	○	○	○	○	○	○	○	○
C (alt.)	●	)	○	○	○	○	▮	○	○	○	○	○	○	○
C#	○	)	○	○	○	○	○	○	○	○	○	○	○	○
D	○	)	○	○	○	○	▮	○	○	○	○	○	○	○

**Flute**

Note	Note Keys (Left Hand)						Note Keys (Right Hand)							
	K1	K2	K3	K4	K5	K6	K7	K8	K9	K10	K11	K12	K13	K14
C	●	)	●	●	○	○	○	●	●	○	●	○	○	▬
C#	●	)	●	●	○	○	○	●	●	○	●	○	▬	○
D	●	)	●	●	○	○	○	●	●	○	●	○	○	○
D#	●	)	●	●	○	○	○	●	●	○	●	▬	○	○
E	●	)	●	●	○	○	○	●	●	○	○	○	○	○
F	●	)	●	●	○	○	○	●	○	○	○	○	○	○
F#	●	)	●	●	○	○	○	○	○	○	●	○	○	○
F# (alt.)	●	)	●	●	○	○	○	○	●	○	○	○	○	○
G	●	)	●	●	○	○	○	○	○	○	○	○	○	○
G#	●	)	●	●	▬	○	○	○	○	○	○	○	○	○
A	●	)	●	○	○	○	○	○	○	○	○	○	○	○
A# *	●	)	○	○	○	○	○	●	○	○	○	○	○	○
A# (alt.)	●	)	○	○	○	○	▬	○	○	○	○	○	○	○
B	●	)	○	○	○	○	○	○	○	○	○	○	○	○
B to C (trill)†	●	)	○	○	▬	○	○	○	○	○	○	○	○	○
B to C# (trill)†	●	)	○	○	○	○	○	○	○	▬	○	○	○	○
C **	○	)	●	○	○	○	○	○	○	○	○	○	○	○
C to D (trill)†	○	)	●	○	○	○	○	○	○	▬	○	○	○	○
C#	○	)	○	○	○	○	○	○	○	○	○	○	○	○
C# to D# (trill)†	○	)	○	○	○	○	○	○	○	▬	○	○	○	○

\* You can press **K8**, **K9**, or **K11**—or any combination of those note keys—to play this **A#**.

\*\* This is the only non-flute fingering that flute players will need to learn.

† For these alternate fingerings, repeatedly tap the half-filled key to trill between the two notes listed.



Oboe

Note	Note Keys (Left Hand)						Note Keys (Right Hand)							
	K1	K2	K3	K4	K5	K6	K7	K8	K9	K10	K11	K12	K13	K14
A#	●	)	●	●	○	▬	○	●	●	○	●	▬	○	○
B	●	)	●	●	▬	○	○	●	●	○	●	▬	○	○
C	●	)	●	●	○	○	○	●	●	○	●	▬	○	○
C#	●	)	●	●	○	○	○	●	●	○	●	○	▬	○
D	●	)	●	●	○	○	○	●	●	○	●	○	○	○
D#	●	)	●	●	○	○	○	●	●	○	●	○	○	▬
D# (alt.)	●	)	●	●	○	▬	○	●	●	○	●	○	○	○
E	●	)	●	●	○	○	○	●	●	○	○	○	○	○
F	●	)	●	●	○	○	○	●	●	▬	○	○	○	○
F to Gb (trill)†	●	)	●	●	○	○	○	●	▨	▬	○	○	○	○
F to G (trill)†	●	)	●	●	○	○	○	▨	●	▬	○	○	○	○
F (alt.)	●	)	●	●	○	▬	○	●	●	○	○	○	○	○
F (alt.)	●	)	●	●	○	○	○	●	○	○	●	○	○	○
F#	●	)	●	●	○	○	○	●	○	○	○	○	○	○
G	●	)	●	●	○	○	○	○	○	○	○	○	○	○
G (alt.)	●	)	●	●	○	○	○	○	●	▬	○	○	○	○
G#	●	)	●	●	▬	○	○	○	○	○	○	○	○	○
G# (alt.)	●	)	●	●	○	○	▬	○	○	○	○	○	○	○
A	●	)	●	○	○	○	○	○	○	○	○	○	○	○
A#	●	)	●	○	○	○	○	●	○	○	○	○	○	○
A# to B (trill)†	●	)	▨	○	▬	○	○	●	○	○	○	○	○	○
B	●	)	○	○	○	○	○	○	○	○	○	○	○	○
B to C# (trill)†	●	)	○	○	▬	○	○	○	○	○	○	○	○	○
C	●	)	○	○	○	○	○	●	○	○	○	○	○	○
C#	●	)	●	●	○	○	○	●	●	○	●	○	▬	○
C# (alt.)	○	)	○	○	○	○	○	○	○	○	○	○	○	○
D	●	)	●	●	○	○	○	●	●	○	●	○	○	○
D#	●	)	●	●	○	○	○	●	●	○	●	○	○	▬
D (alt.)	●	)	●	●	○	▬	○	●	●	○	●	○	○	○

† For these alternate fingerings, repeatedly tap the half-filled key to trill between the two notes listed.

**EVI**

Note	Note Keys (Left Hand)						Note Keys (Right Hand)							
	K1	K2	K3	K4	K5	K6	K7	K8	K9	K10	K11	K12	K13	K14
C#	●	)	●	●				●	●		●			
D	●	)	●	●				●	○		●			
D#	●	)	●	●				○	●		●			
E	●	)	●	●				●	●		○			
F	●	)	●	●				●	○		○			
F#	●	)	●	●				○	●		○			
G	●	)	●	●				○	○		○			
G#	○	)	●	●				○	●		●			
A	○	)	●	●				●	●		○			
A#	○	)	●	●				●	○		○			
B	○	)	●	●				○	●		○			
C	○	)	●	●				○	○		○			

**EVI Reversed**

The EVI Reversed fingering is identical to the *EVI* fingering, but the octave rollers are reversed.

## Menu Structure

Global Menu		Values
Breath Sensor		
	Offset	
	Sens	
	Learn	
	Capture Delay	
	Output Mode	
	Breath CC	Low, Hi
	Volume CC	Low, Hi
	Expression CC	Low, Hi
	Aftertouch	Low, Hi
	Channel Pressure	Low, Hi
	Custom CC	
		Controller Number 0-127
		No Breath 0-127
		Breath 0-127
	Lock Velocity	Off, On
	Output Velocity	0-127
	Constant Output	Off, On
	Output Velocity	0-127
Bite Sensor		
	Sensitivity	
	Filter	Off, On
	Output Mode	
	Off	
	Pitch Bend	-63 - 0 - +63
	Add to Breath	-63 - 0 - +63
	Custom CC	
		Controller Number 0-127
		Not Biting 0-127
		Biting 0-127
Key Action		
	Key Delay	1-20
	Key Sensitivity	1-15
	Enable K10	Off, On
Fine Tuning		-100 - 0 - +100
Fingering		
	EWI	
	Saxophone	
	Flute	
	Oboe	
	EVI	
	EVI Reversed	

Global Menu (continued)		Values
Glide Plate		
Portamento		
	Time CC Enable	On, Off
	Time CC Data-Up	0-127
	Time CC Data-Press	0-127
	Switch Enable	Off, On
Legato Time		
	Data-Up	0-127
	Data-Press	0-127
Custom CC		
	Controller Number	0-127
	Data-Up	0-127
	Data-Press	0-127
Pitch Bend Plate		
	Pitch Bend	-63 - 0 - +63
	Custom CC	0-127
	Controller Number	0-127
	Data-Up	0-127
	Data-Press	0-127
Hold Button		
	Off	
	Legato Mode	No Latch, Latch
	Non-legato Mode	No Latch, Latch
Custom-CC		
	Controller Number	0-127
	Data-Up	0-127
	Data-Press	0-127
Interval Button		
	Off	
	Fixed Interval	-24 - 0 - +24
	Real-Time Interval	
Custom-CC		
	Controller Number	0-127
	Data-Up	0-127
	Latch Mode	No Latch, Latch
LFO/Modulation		0-127
MIDI Channel		1-16
Speaker		Off, Off by HP/Line, On
30min Idle Shutdown		Off, On
Patch Font Size		Small, Large

FX Menu		Values
Reverb		
	Off	
	Small Room	
	Large Room	
	Hall	
	Custom	
	Level	0-100
	Damping	0-100
	Room	0-100
Chorus		
	Off	
	Light	
	Medium	
	Heavy	
	Custom	
	Level	0-100
	Rate	1-3 Hz
	Depth	0-100
Delay		
	Off	
	Short	
	Mirror	
	Long	
	Custom	
	Level	0-100
	Time	0.0-742.9 ms
	Feedback	0-100

## Program List

Number	Name
1	Alto Sax
2	Tenor Sax
3	Baritone Sax
4	Soprano Sax
5	Jazz Flute
6	Jazz Clarinet
7	Bass Clarinet
8	Trumpet
9	Dongxiao
10	Erhu
11	Retro Bass
12	Truth
13	Piccolo Trumpet
14	Harmon Trumpet
15	Cup Mute Trumpet
16	Ballad Trombone
17	Trombone
18	Cup Trombone
19	Pop Brass Section
20	Trumpet n Mute
21	Muted Brass Section
22	Classy Brass Section
23	Brass Section 1
24	Brass Section 2
25	Tuba
26	Classical C Flute
27	Classical Oboe
28	Classical English Horn
29	Classical Clarinet
30	Classical Bass Clarinet
31	Classical French Horn
32	Classical French Horn Bells Up
33	Classical Bassoon
34	Trumpet Ensemble
35	Trombone Ensemble
36	Hard Alto Sax
37	Soft Alto Sax
38	Hard Tenor Sax
39	Soft Tenor Sax
40	Hard Baritone Sax
41	Soft Baritone Sax
42	Hard Soprano Sax
43	Soft Soprano Sax
44	Sax Section
45	Woodwinds Section 1
46	Woodwinds Section 2
47	Woodwinds Section 3
48	Harmonica
49	Panpipes
50	Melodica

Number	Name
51	Accordion
52	Ocarina
53	Bagpipes
54	Recorder
55	Shakuhachi
56	Marimba *
57	Xylophone *
58	Vibraphone *
59	Steel Drums *
60	Violin
61	Viola
62	Cello
63	Double Bass
64	String Section
65	Orchestra
66	Nylon Guitar *
67	Steel Guitar *
68	Electric Guitar *
69	Lead Guitar *
70	Jazz Guitar *
71	Acoustic Bass *
72	Electric Bass *
73	Slap Bass *
74	Piano *
75	FM Piano *
76	Rhodes *
77	Harpsichord *
78	Clavinet *
79	Wurli *
80	Qudi
81	Bangdi
82	Hulusi
83	Sheng
84	Suona
85	Nanxiao
86	Xun
87	Bawu
88	Guanzi
89	Jinghu
90	Banhu
91	Gaohu
92	Zhonghu
93	Matouqin
94	Guzheng *
95	Pipa *
96	Yangqin *
97	Liuqin *
98	San Xian *
99	Ruan *
100	Guqin *

Number	Name
101	B3 Organ Thin *
102	B3 Pinball Wizard *
103	B3 Hard Attack *
104	B3 Classic *
105	Rock Organ *
106	Drawbar Organ *
107	Classic Square
108	Classic Triangle
109	Reece
110	Raunchy Lead 3
111	Raunchy Lead 1
112	Angry Organ
113	Raunchy Lead 2
114	Triangle to Pulse
115	Happy Organ Wide
116	Square MW Growl
117	Saw MW Growl
118	Bubbler
119	Partial to You
120	Thick Octaves
121	Mono Edge
122	Aggro Pluck
123	Accordingly
124	Big Brasser
125	Fat and Foamy
126	Formant Bass
127	Mod Sinker
128	Ye Ol Brass
129	Dual Quack
130	Square Stack
131	Ducky
132	Try Me
133	Spectral Move
134	Vocal Oh Bass
135	Electro Rezo
136	Nsync
137	Classic Rez Saw
138	Classic Sine
139	Blade Ruiner
140	Ana Synth
141	Big Woop
142	FM Synth
143	Vowel Synth 1
144	LFO Squares
145	Thin Pulse
146	Stereo Filters
147	Fifths Saws
148	Twisted Flute
149	Wide Fuzz
150	Vowel Synth 2

Number	Name
151	Feed Me
152	Mono Brazz
153	Brassy Synth
154	80 Kick Sub Bass
155	Detuned Analog Saw
156	Saw Lead
157	Sine 80 Kick
158	Smooth Square
159	Soft Sync
160	Nice Wave
161	Fuzzy pulse
162	Nice Saw
163	Fat Square Lead
164	Smooth Square Lead
165	Resonating Lead
166	Big FM Bells *
167	Light Bells *
168	Digital Buzz Bells *
169	Stratotron *
170	Wavebellz *
171	Percussive Sine
172	Soft Strings
173	D Something *
174	Padsaw
175	Sparkling *
176	Bright n Bendy
177	Bright n Tight
178	Attack Brass
179	Super Saw
180	Soft Pad
181	Warmth Pad
182	Grand Scheme
183	Analog Pad
184	Mini Thump Bass
185	PWM Bass
186	Plucked Woody Bass
187	Octa Res Sweep Bass
188	Mini Soft Thump Bass
189	Retro Wind
190	Cantabile Saw
191	Colorful Shine
192	Colorful Star
193	Mimi
194	Mix Lead
195	Spirited
196	Totoro Lead
197	Ponyo
198	Kiki
199	Arriet
200	T-Island

\* Due to the nature of these programs, they are not compatible with **Non-legato Mode**.

## Technical Specifications

<b>MIDI Output Channels Over USB</b>	16
<b>Note Keys</b>	14
<b>Octave Rollers</b>	6 mobile, 2 fixed; 7-octave range
<b>Plates</b>	1 pitch-bend, 2 ground
<b>Inputs / Outputs</b>	<b>1</b> USB port <b>1</b> 1/4" (6.35mm) TRS line output <b>1</b> 1/8" (3.5mm) TRS headphone output <b>1</b> 1/8" (3.5mm) TRS auxiliary input
<b>Power</b>	Rechargeable lithium-ion battery (included; charges via USB)
<b>Dimensions</b> (width x depth x height)	30.12" x 3.00" x 3.24" 76.5 cm x 7.6 cm x 8.2 cm
<b>Weight</b>	1.79 lb. 0.8 kg

Specifications are subject to change without notice.

## Trademarks & Licenses

Akai Professional is a trademark of inMusic Brands, Inc., registered in the U.S. and other countries.

macOS is a trademark of Apple Inc., registered in the U.S. and other countries.

Windows is a registered trademark of Microsoft Corporation in the United States and other countries.

Phillips is a registered trademark of the Phillips Screw Company in the United States and other countries.

All other product names, company names, trademarks, or trade names are those of their respective owners.



**AKAI**<sup>®</sup>  
PROFESSIONAL

---

[akaipro.com](http://akaipro.com)