

Warwick[®]

Basses, Amps & Rock'n Roll.

OWNER'S MANUAL

WCA SERIES BASS CABINETS

WCA208 LW CE | WCA208 LW

WCA408 LW CE | WCA408 LW

WCA112 LW CE | WCA112 LW

WCA115 LW CE | WCA115 LW

WCA210 | WCA410W

WCA115W | WCA810W



Family Owned ♦ Solar Powered ♦ Sustainably Manufactured in a Green Environment

INDEX

Product Information

Introduction 3

LIGHT WEIGHT SERIES

WCA208 LW CE 4

WCA208 LW 4

WCA408 LW CE 5

WCA408 LW 5

WCA112 LW CE 6

WCA112 LW 6

WCA115 LW CE 7

WCA115 LW 7

STANDARD SERIES

WCA210 8

WCA410W 8

WCA115W 9

WCA810W 9

Cabinet Back Plates 10

INTRODUCTION

Congratulations! on the purchase of your new Warwick Speaker Cabinet! Whether playing in small clubs or on big stages in front of thousands of fans, your new Warwick Speaker Cabinet will always deliver that fat, punchy tone that you have always desired.

Our new WCA series cabinets are available in various sizes designed with the vision of providing for almost any playing situation that you can possibly imagine. From the extremely light and portable WCA208 LW CE to the towering WCA810, our speaker cabinets will satiate your appetite for extreme power and extreme flexibility. Our design philosophy was to adopt a highly modular approach for these bass cabinets. The WCA series cabinets can be stacked in different combinations, providing a variety of options for realizing your dream rig.

Proper speaker design can make the difference between just sounding loud; and sounding GREAT! We believe that amplification and speaker cabinet design go hand in hand and especially for bass guitars, the cabinetry plays a vital role in sculpting your sound. We at Warwick developed new speaker drivers to specifically complement our amplifiers so everything works in tandem, giving you tone that will never make you look back!

LIGHT WEIGHT SERIES



ARTICLE NUMBER: W CA 208 LW CE

WCA208 LW CE

- Bass reflex speaker cabinet
- 2 x 8" Celestion Speaker (8 Ω)
- 1" Celestion neodymium compression HF driver
- 2 Dual purpose 1/4" jack and coaxial, lockable connectors
- High Frequency Attenuation Control
- Rugged metal grille
- 300 Watts
- Sensitivity: 97dB
- Resonant frequency: 45Hz
- Frequency range: 100Hz – 20kHz
- Dimensions (W/H/D)
520mm x 400mm x 370mm
20.5" x 15.8" x 14.6"
- Weight: 14,8kg / 31lb



ARTICLE NUMBER: W CA 208 LW

WCA208 LW

- Bass reflex speaker cabinet
- 2 x 8" Warwick WPB 12/8 Speaker
- 4" Warwick WBH 4/8 High Frequency "bullet" type horn
- 2 Dual purpose 1/4" jack and coaxial, lockable connectors
- Rugged metal grille
- 200 Watts, 8 Ohm
- Sensitivity: 97dB
- Resonant frequency: 59Hz
- Frequency range: 100Hz – 20kHz
- Dimensions (W/H/D)
520mm x 400mm x 370mm
20.5" x 15.8" x 14.6"
- Weight: 16,2kg / 35.30lb



ARTICLE NUMBER: W CA 408 LW CE

WCA408 LW CE

- Bass reflex speaker cabinet
- 4 x 8" Celestion Speaker (8 Ω)
- 1" Celestion neodymium compression HF driver
- 2 Dual purpose 1/4" jack and coaxial, lockable connectors
- High Frequency Attenuation Control
- Rugged metal grille
- 600 Watts
- Sensitivity: 94dB
- Resonant frequency: 68Hz
- Frequency range: 65Hz – 20kHz
- Dimensions (W/H/D)
520mm x 540mm x 400mm
20.5" x 21" x 16"
- Weight: 21,9kg / 46.30lb



ARTICLE NUMBER: W CA 408 LW

WCA408 LW

- Bass reflex speaker cabinet
- 4 x 8" Warwick WPB 8/4 Speakers
- 4" Warwick WBH 4/8 High Frequency "bullet" type horn
- 2 Dual purpose 1/4" jack and coaxial, lockable connectors
- High Frequency Attenuation Control
- Rugged metal grille
- 400 Watts
- Sensitivity: 94dB
- Resonant frequency: 78Hz
- Frequency range: 70Hz – 20kHz
- Dimensions (W/H/D)
520mm x 540mm x 400mm
20.5" x 21" x 16"
- Weight: 24,3kg / 53lb



ARTICLE NUMBER: W CA 112 LW CE

WCA112 LW CE

- Bass reflex speaker cabinet
- 1 x 12" Celestion Speaker (8 Ω)
- 1" Celestion neodymium compression HF driver
- 2 Dual purpose 1/4" jack and coaxial, lockable connectors
- High Frequency Attenuation Control
- Rugged metal grille
- 500 Watts
- Sensitivity: 97dB
- Resonant frequency: 45Hz
- Frequency range: 65Hz – 20kHz
- Dimensions (W/H/D)
520mm x 540mm x 400mm
20.5" x 21" x 16"
- Weight: 17,6kg / 37.5lb



ARTICLE NUMBER: W CA 112 LW

WCA112 LW

- Bass reflex speaker cabinet
- 1 x 12" Warwick WPB 12/8 Speaker
- 4" Warwick WBH 4/8 High Frequency "bullet" type horn
- 2 Dual purpose 1/4" jack and coaxial, lockable connectors
- Rugged metal grille
- 300 Watts
- Sensitivity: 97dB
- Resonant frequency: 59Hz
- Frequency range: 70Hz – 20kHz
- Dimensions (W/H/D)
520mm x 540mm x 400mm
20.5" x 21" x 16"
- Weight: 19,5kg / 42lb



ARTICLE NUMBER: W CA 115 LW CE

WCA115 LW CE

- Bass reflex speaker cabinet
- 1 x 15" Celestion Speaker (8 Ω)
- 1" Celestion neodymium compression HF driver
- 2 Dual purpose 1/4" jack and coaxial, lockable connectors
- High Frequency Attenuation Control
- Rugged metal grille
- 500 Watts
- Sensitivity: 97dB
- Resonant frequency: 45Hz
- Frequency range: 50Hz – 20kHz
- Dimensions (W/H/D)
520mm x 500mm x 560mm
20.5" x 19.7" x 22.1"
- Weight: 20kg / 44.10lb



ARTICLE NUMBER: W CA 115 LW

WCA115 LW

- Bass reflex speaker cabinet
- 1 x 15" Warwick WPB 12/8 Speaker
- 4" Warwick WBH 4/8 High Frequency "bullet" type horn
- 2 Dual purpose 1/4" jack and coaxial, lockable connectors
- Rugged metal grille
- 300 Watts
- Sensitivity: 97dB
- Resonant frequency: 59Hz
- Frequency range: 50Hz – 20kHz
- Dimensions (W/H/D)
520mm x 500mm x 560mm
20.5" x 19.7" x 22.1"
- Weight: 21,6kg / 46.30lb

STANDARD SERIES



ARTICLE NUMBER: W CA 210

WCA210

- Bass reflex speaker cabinet
- 2 x 10" Warwick WPB 10/4 Speaker
- 4" Warwick WBH 4/8 High frequency "bullet" type horn
- 2 Dual purpose 1/4" jack and coaxial, lockable connectors
- High Frequency Attenuation Control
- Rugged metal grille
- 200 Watts
- Maximum SPL: 105 dB
- Resonant frequency: 48Hz
- Frequency range: 60Hz – 20kHz
- Dimensions (W/H/D)
660mm x 470mm x 480mm
26" x 18" x 19"
- Weight: 23,8kg / 51lb



ARTICLE NUMBERS: W CA 410 W (8 Ω version)
W CA 410 - 4 W (4 Ω version)

WCA410W

- Bass reflex speaker cabinet
- Available in 4 Ω and 8 Ω versions
- 4 x 10" Warwick WPB 10/8 Speakers (WPB 10/4 for 4 Ω version)
- 4" Warwick WBH 4/8 high frequency "bullet" type horn
- 2 Dual purpose 1/4" jack and lockable speaker connectors
- High Frequency Attenuation Control
- Rugged metal grille
- 400 Watts
- Maximum SPL: 105dB
- Resonant frequency: 30Hz
- Frequency range: 35Hz – 20kHz
- Dimensions (W/H/D)
660mm x 660mm x 480mm
26" x 26" x 19"
- Weight: 40kg / 88lb



ARTICLE NUMBERS: W CA 115 W (8 Ω version)
W CA 115 - 4 W (4 Ω version)

WCA115W

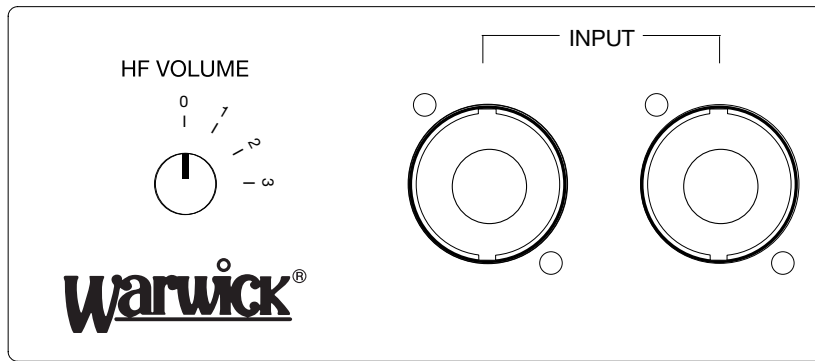
- Bass reflex speaker cabinet
- Available in 4 Ω and 8 Ω versions
- 1 x 15" Warwick WPB 15/8 Speaker (WPB 15/4 for 4 Ω version)
- 2 Dual purpose 1/4" jack and lockable speaker connectors
- High Frequency Attenuation Control
- Rugged metal grille
- Wheels
- 300 Watts
- Maximum SPL: 105dB
- Resonant frequency: 30Hz
- Frequency range: 30Hz – 3000Hz
- Dimensions (W/H/D)
660mm x 660mm x 480mm
26" x 26" x 19"
- Weight: 27kg / 60lb



ARTICLE NUMBER: W CA 810 W

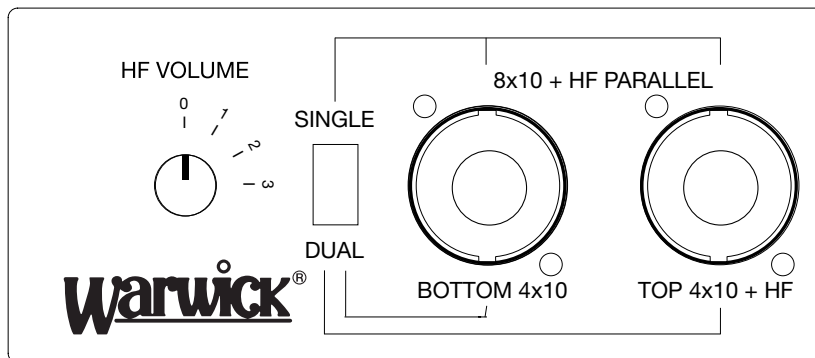
WCA810W

- Bass reflex speaker cabinet
- Switchable between single 8x10 (4 Ω) or dual 4x10 (8 Ω) modes.
- 8 x 10" Warwick WPB 10/8 Speakers
- 1 x 4" Warwick WBH 4/8 high frequency "bullet" type horn
- 2 Dual purpose 1/4" jack and lockable speaker connectors
- High Frequency Attenuation Control
- Rugged metal grille
- Wheels
- 800 Watts
- Maximum SPL: 105dB
- Resonant frequency: 49Hz
- Frequency range: 30Hz – 20kHz
- Dimensions (W/H/D)
660mm x 1325mm x 480mm
26" x 52" x 19"
- Weight: 90,8kg / 198.50lb

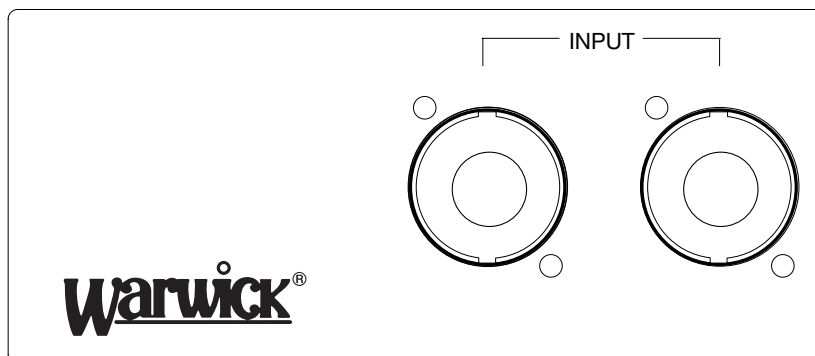


BACK PLATE FOR

- | | |
|---------------------|------------------|
| WCA112 LW CE | WCA112 LW |
| WCA115 LW CE | WCA115 LW |
| WCA208 LW CE | WCA208 LW |
| WCA408 LW CE | WCA408 LW |
| WCA210 | WCA410W |



WCA810W BACK PLATE



WCA115W BACK PLATE

**Das Warwick Bass Forum finden Sie auf: www.warwick.de
Bei technischen Fragen wenden Sie sich bitte an support@warwick.de**

**Please see the Warwick Bass Forum on: www.warwick.de
For support information please refer to support@warwick.de**

**Visite por favor el nuevo forum Warwic de bajo en: www.warwick.de
Para soporte técnico e información, dirigirse por favor a support@warwick.de**

**Por favor veja o novo Fórum de Baixos da Warwick em: www.warwick.de
Para mais informações escreva para support@warwick.de**

**Visitare il nuovo Forum Warwick Bass: www.warwick.de
Per supporto tecnico: support@warwick.de**

**Veillez consulter le nouveau forum sur les basses Warwick à l'adresse: www.warwick.de
Si vous avez besoin de plus d'informations contactez support@warwick.de**

**Nové Warwick Bass Forum najdete na webových stránkách: www.warwick.de
Máte-li nějaké technické dotazy, pište na: support@warwick.de**

**Zapraszamy, do odwiedzenia naszego nowego forum na stronie: www.warwick.de
Aby otrzymać wsparcie techniczne, skontaktuj się z nami pod adresem: support@warwick.de**

ワーウィック・ウェブサイトへお越してください。HYPERLINK "<http://www.warwick.de>"
リニューアルしたワーウィックベースフォーラムをご覧ください。
サポート情報などは HYPERLINK "<mailto:support@warwick.de>" へお寄せください。

인터넷 홈페이지 : <http://www.warwick.de>
새로운 Warwick 베이스 포럼을 참고하시려면 www.warwick.de에 방문하십시오.
고객 지원을 받으시려면 support@warwick.de에 메일을 보내십시오.

请登录 HYPERLINK "<http://www.warwick.de>" 浏览握威贝司全新论坛
有任何问题 请发邮件至 HYPERLINK "<mailto:support@warwick.de>"

ClimatePartner
klimateutral

Instrument | ID: 11117-1212-1002



DIN 14001
DIN 18001



ISO 50001

The first Carbon-Neutral Company in the Music Industry • Family Owned - Solar Powered - Sustainably Manufactured in a Green Environment

Headquarters: Warwick GmbH & Co. Music Equipment KG • Gewerbepark 46 • 08258 Markneukirchen / Germany • E-Mail: info@warwick.de
www.warwick.de • www.warwick-distribution.de • www.warwick.de/forum • www.facebook.com/warwickframus